



Chipsmall Limited consists of a professional team with an average of over 10 year of expertise in the distribution of electronic components. Based in Hongkong, we have already established firm and mutual-benefit business relationships with customers from,Europe,America and south Asia,supplying obsolete and hard-to-find components to meet their specific needs.

With the principle of “Quality Parts,Customers Priority,Honest Operation,and Considerate Service”,our business mainly focus on the distribution of electronic components. Line cards we deal with include Microchip,ALPS,ROHM,Xilinx,Pulse,ON,Everlight and Freescale. Main products comprise IC,Modules,Potentiometer,IC Socket,Relay,Connector.Our parts cover such applications as commercial,industrial, and automotives areas.

We are looking forward to setting up business relationship with you and hope to provide you with the best service and solution. Let us make a better world for our industry!



Contact us

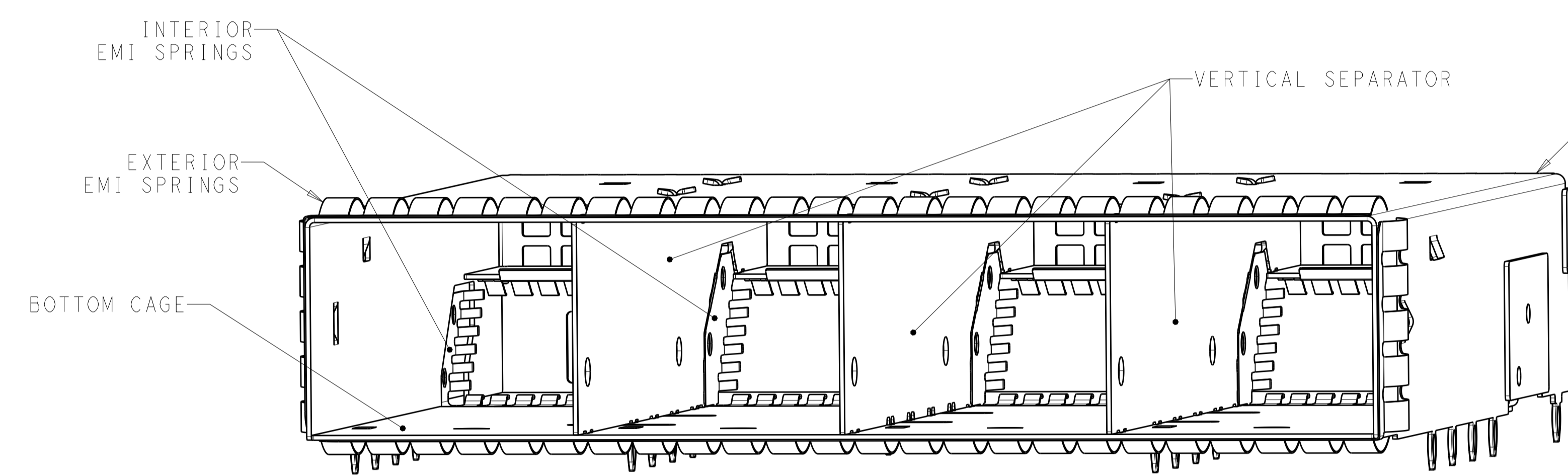
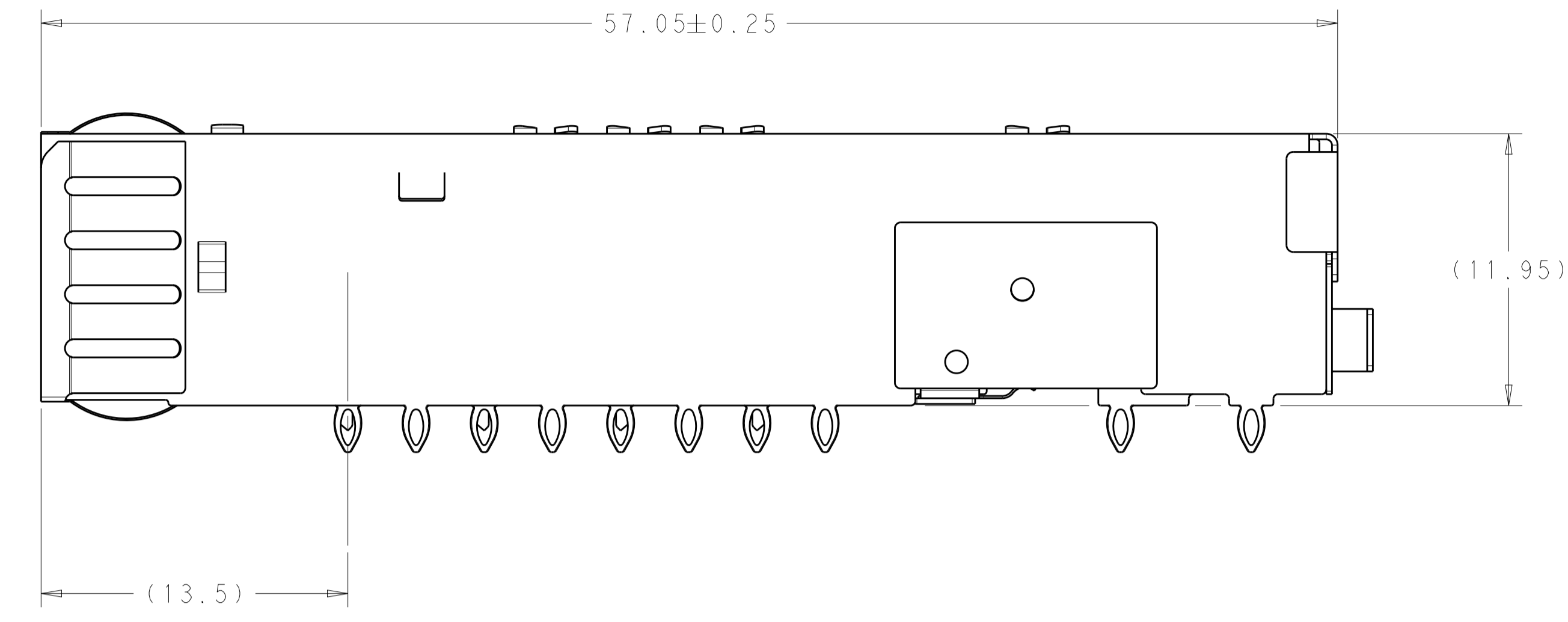
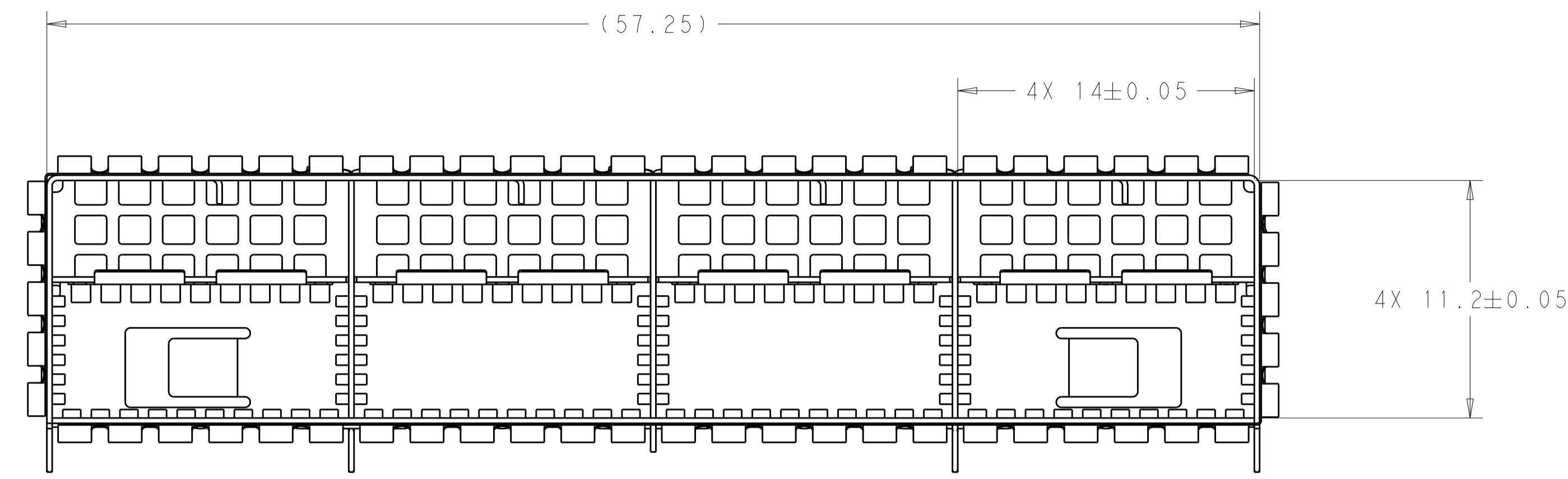
Tel: +86-755-8981 8866 Fax: +86-755-8427 6832

Email & Skype: info@chipsmall.com Web: www.chipsmall.com

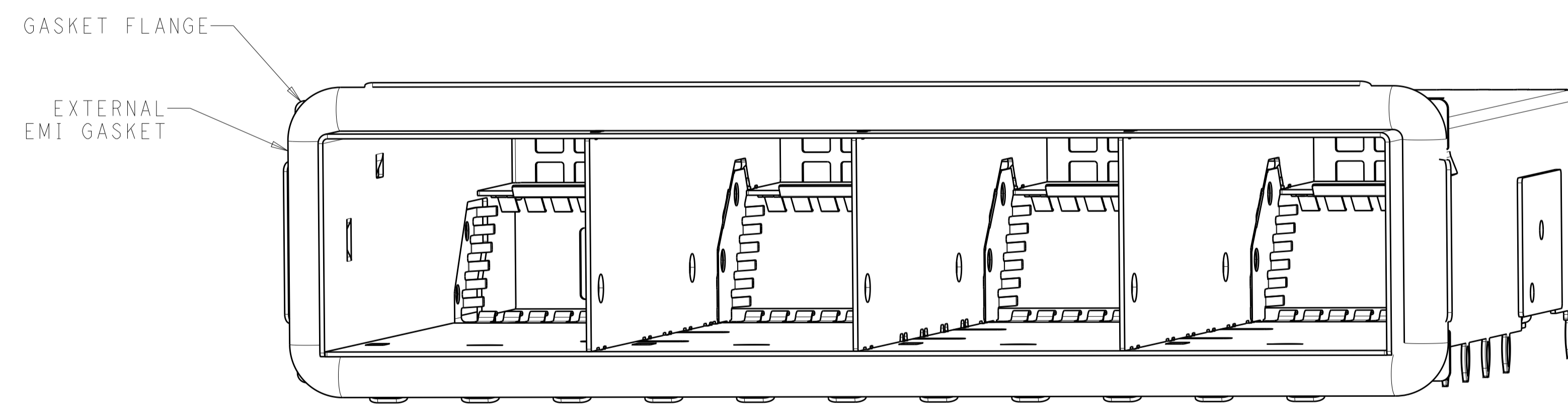
Address: A1208, Overseas Decoration Building, #122 Zhenhua RD., Futian, Shenzhen, China



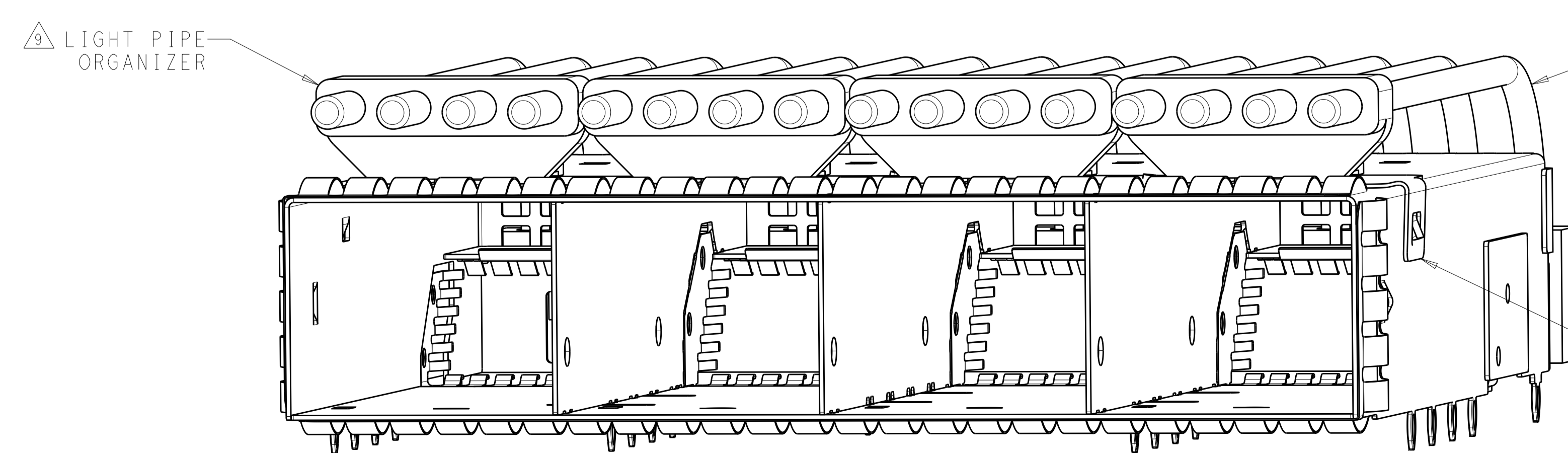
REVISIONS				
P.	LTN	DESCRIPTION	DATE	APVD
8		UPDATE VIEWS	29SEP2016	CJV EDB
9		UPDATE VIEWS	03FEB2017	CJV EDB
10		UPDATE VIEWS	06MAR2017	CJV EDB
11		VIEW UPDATED	20MAR2017	CJV EDB



2297550-1 ISOMETRIC VIEW



2297550-2 ISOMETRIC VIEW



4-2297550-1 ISOMETRIC VIEW

1. MATERIALS:
 TOP AND BOTTOM CAGE - STAINLESS STEEL
 VERTICAL SEPARATORS - STAINLESS STEEL
 GASKET FLANGE - STAINLESS STEEL
 EMI SPRINGS - COPPER ALLOY
 EXTERNAL EMI GASKET - NICKEL CARBON
 LIGHT PIPES - CLEAR POLYCARBONATE
 LIGHT PIPE ORGANIZERS - POLYCARBONATE
 LIGHT PIPE BRACKET - STAINLESS STEEL
2. FOR HOLE SIZE AND PLATINGS SEE APPLICATION SPEC 114-32151.
3. NOTE REMOVED.
4. LED PLACEMENT AREA FOR 4 LIGHT PIPE DASH NUMBERS.
5. LED PLACEMENT AREA FOR 2 LIGHT PIPE DASH NUMBERS.
6. LED PLACEMENT AREA FOR 1 LIGHT PIPE DASH NUMBERS.
7. COMPONENT KEEPOUT AND SURFACE TRACE KEEPOUT (EXCEPT CHASSIS GROUND).
8. COMPONENT KEEPOUT.
9. LIGHT PIPE ASSEMBLY SHOWN ASSEMBLED TO CAGE ASSEMBLY FOR REFERENCE. LIGHT PIPE ASSEMBLY IS SHIPPED UNASSEMBLED TO CAGE ASSEMBLY.

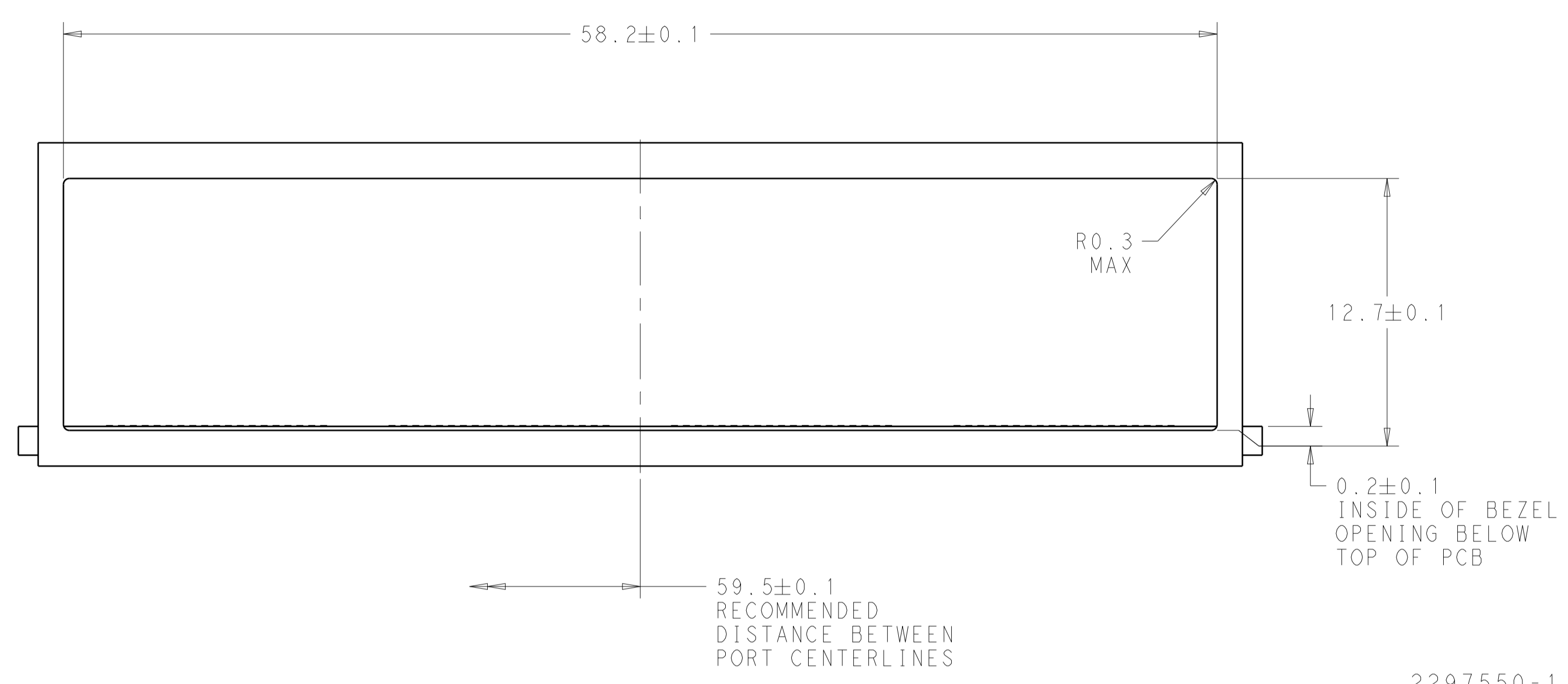
THIS PRINT IS
PRELIMINARY
 UNQUALIFIED PRODUCT
 CONTACT PRODUCT ENGINEERING
 BEFORE USING THIS PRINT

4	GASKET	4-2297550-2
4	SPRING	4-2297550-1
2	GASKET	2-2297550-2
2	SPRING	2-2297550-1
1	GASKET	1-2297550-2
1	SPRING	1-2297550-1
0	GASKET	2297550-2
0	SPRING	2297550-1
LIGHT PIPES PER PORT		EXTERNAL EMI SHIELDING PART NUMBER

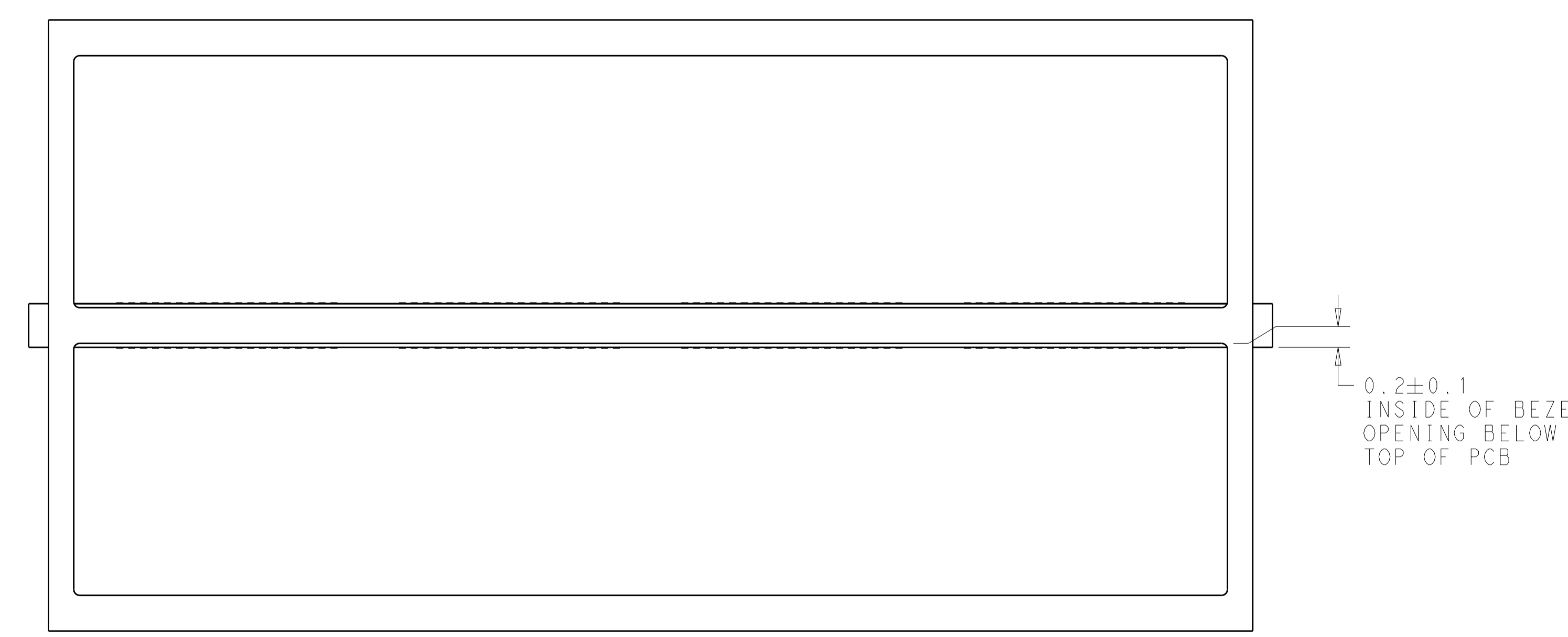
DIMENSIONS:		TOLERANCES UNLESS OTHERWISE SPECIFIED:	
mm	0 PLC ±	0 PLC ±	
	1 PLC ±	1 PLC ±	
	2 PLC ±	2 PLC ±	
	3 PLC ±	3 PLC ±	
	4 PLC ±	4 PLC ±	
	ANGLES ±	ANGLES ±	
	FINISH	FINISH	

THIS DRAWING IS A CONTROLLED DOCUMENT.		OWN: C. VALENTINE 12JAN2016	CHK: E. BRIANT 12JAN2016	APVD: F. BRIANT 12JAN2016
MATERIAL: -		PRODUCT SPEC: 108-32129	APPLICATION SPEC: 114-32151	WEIGHT: -
CUSTOMER DRAWING		SCALE: 5:1	SHEET: 1 OF 6	REV: 11

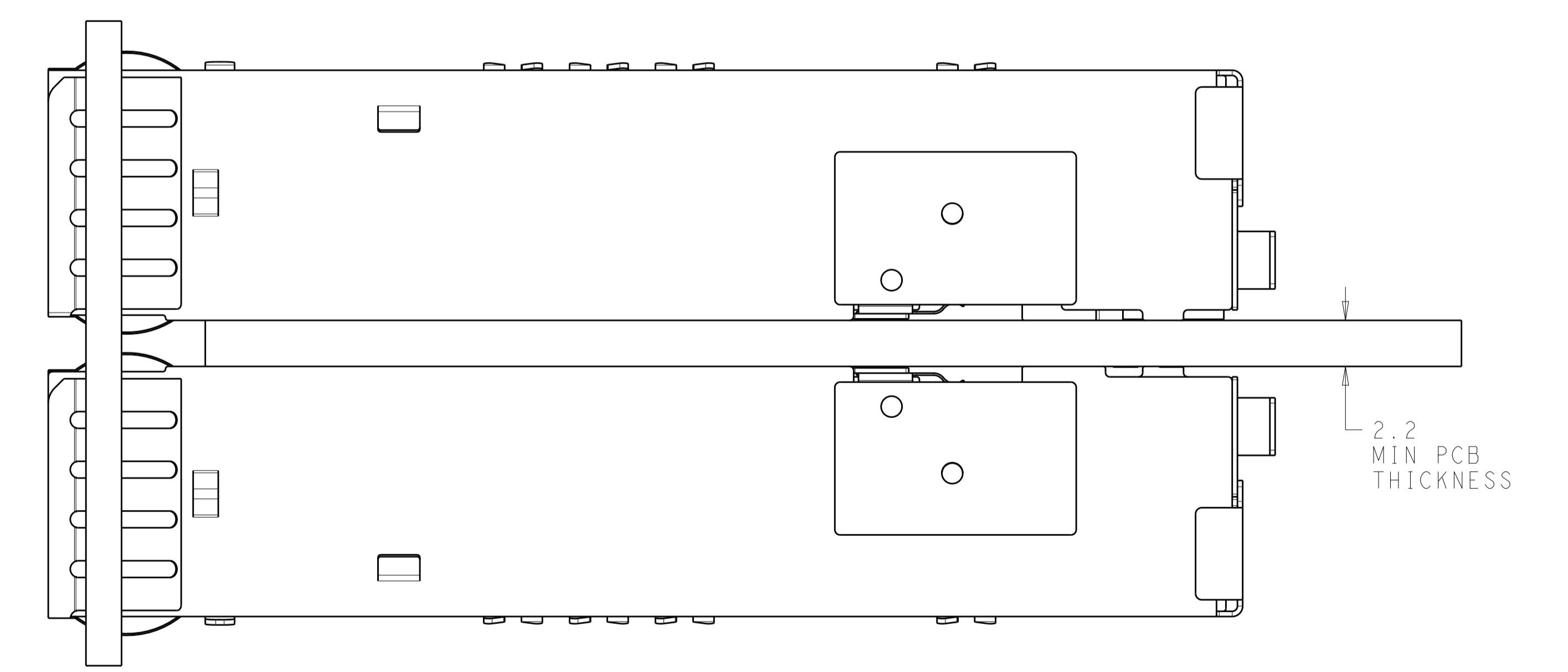
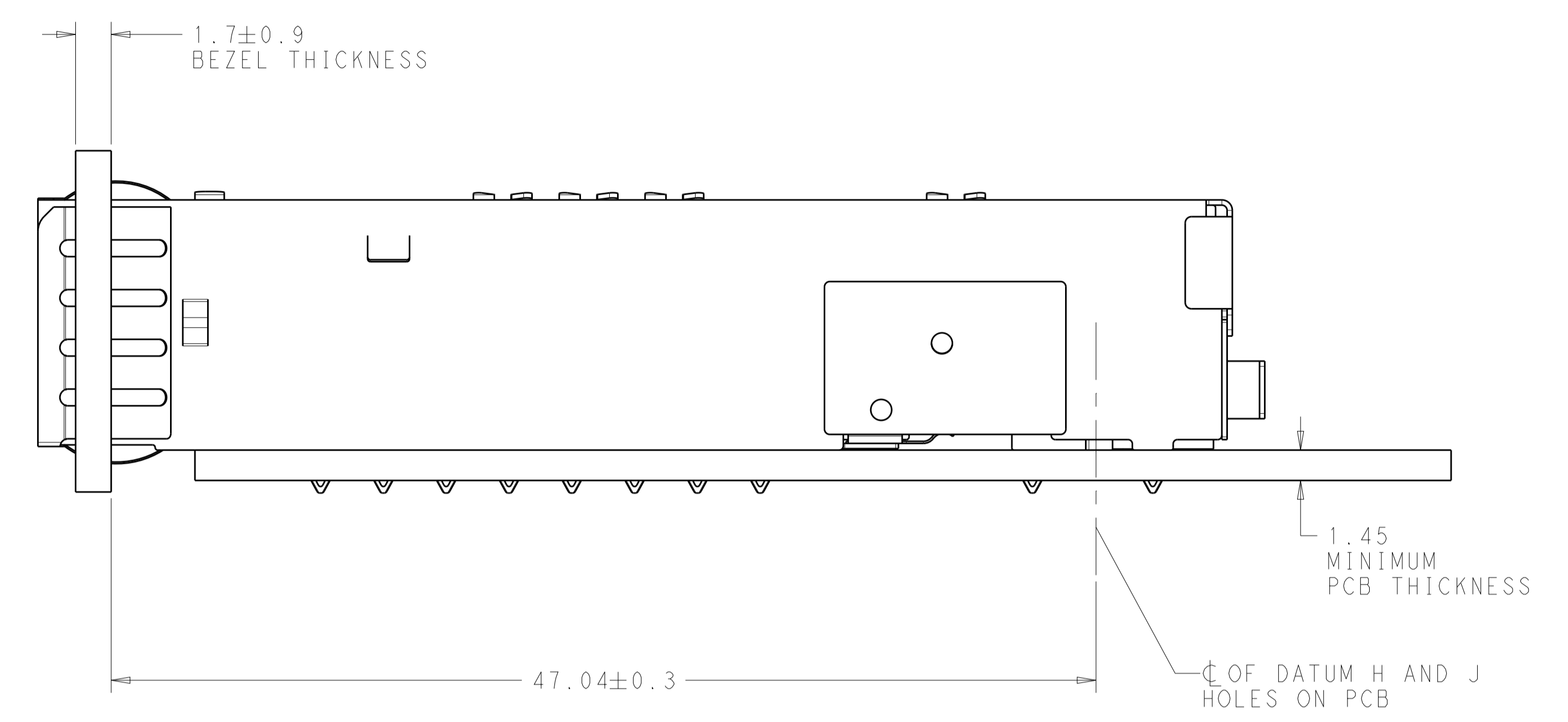
REVISIONS				
P.	LTN	DESCRIPTION	DATE	APVD
-	-	SEE SHEET 1	-	-



2297550-1
 SINGLE SIDED
 PCB AND BEZEL LAYOUT



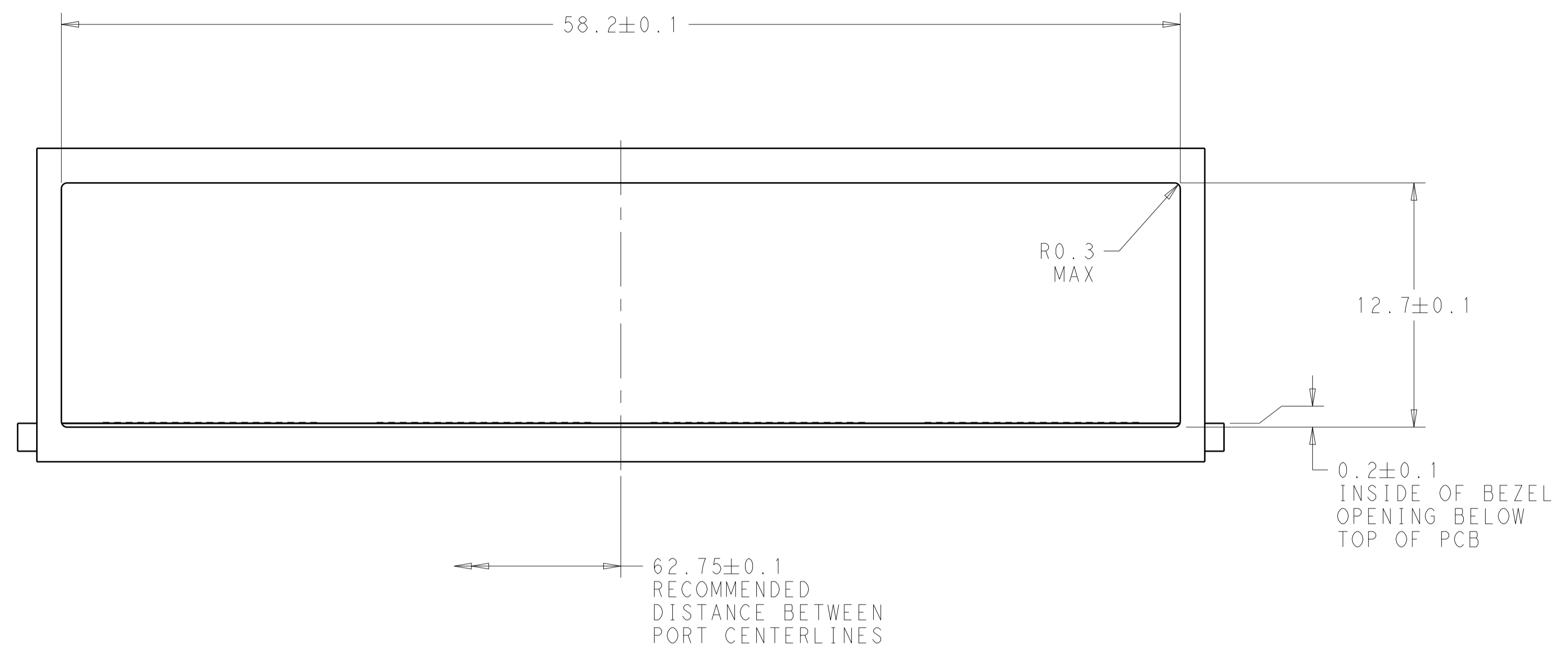
2297550-1
 BELLY TO BELLY
 SAME AS SINGLE SIDED
 EXCEPT WHERE NOTED
 PCB AND BEZEL LAYOUT



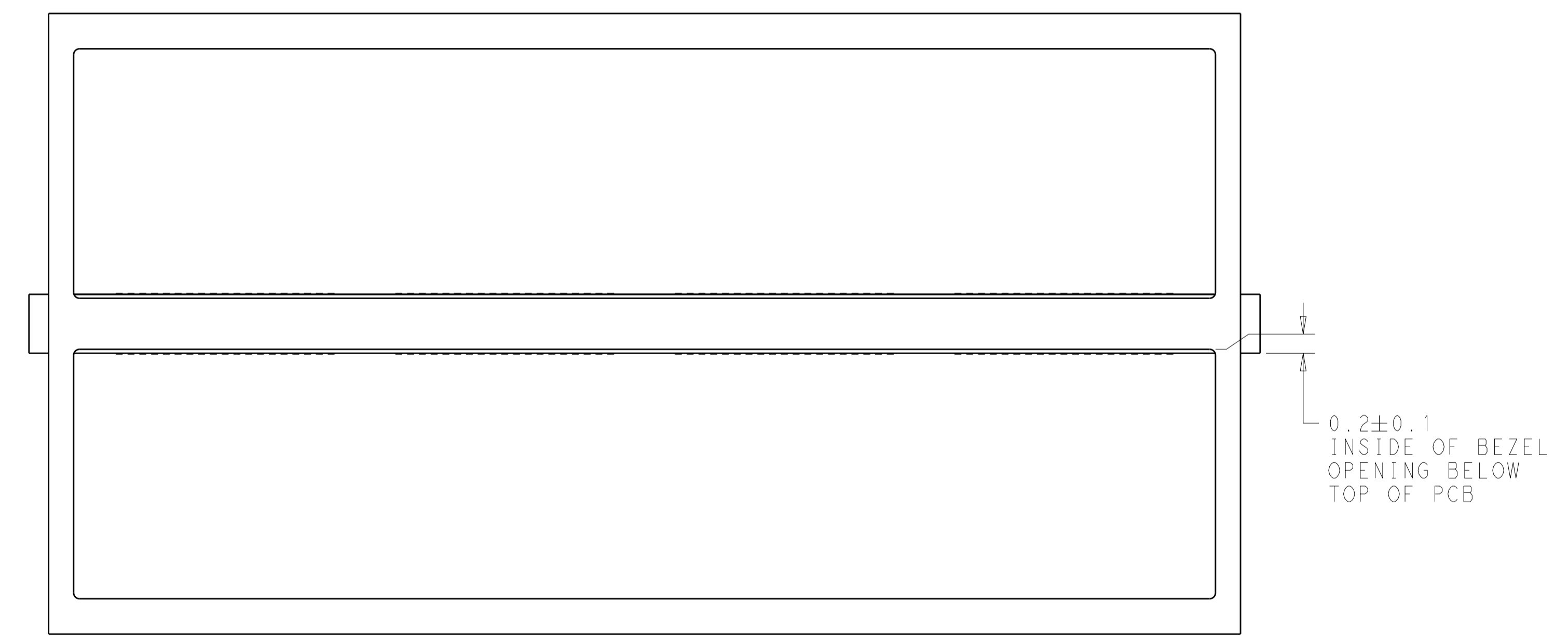
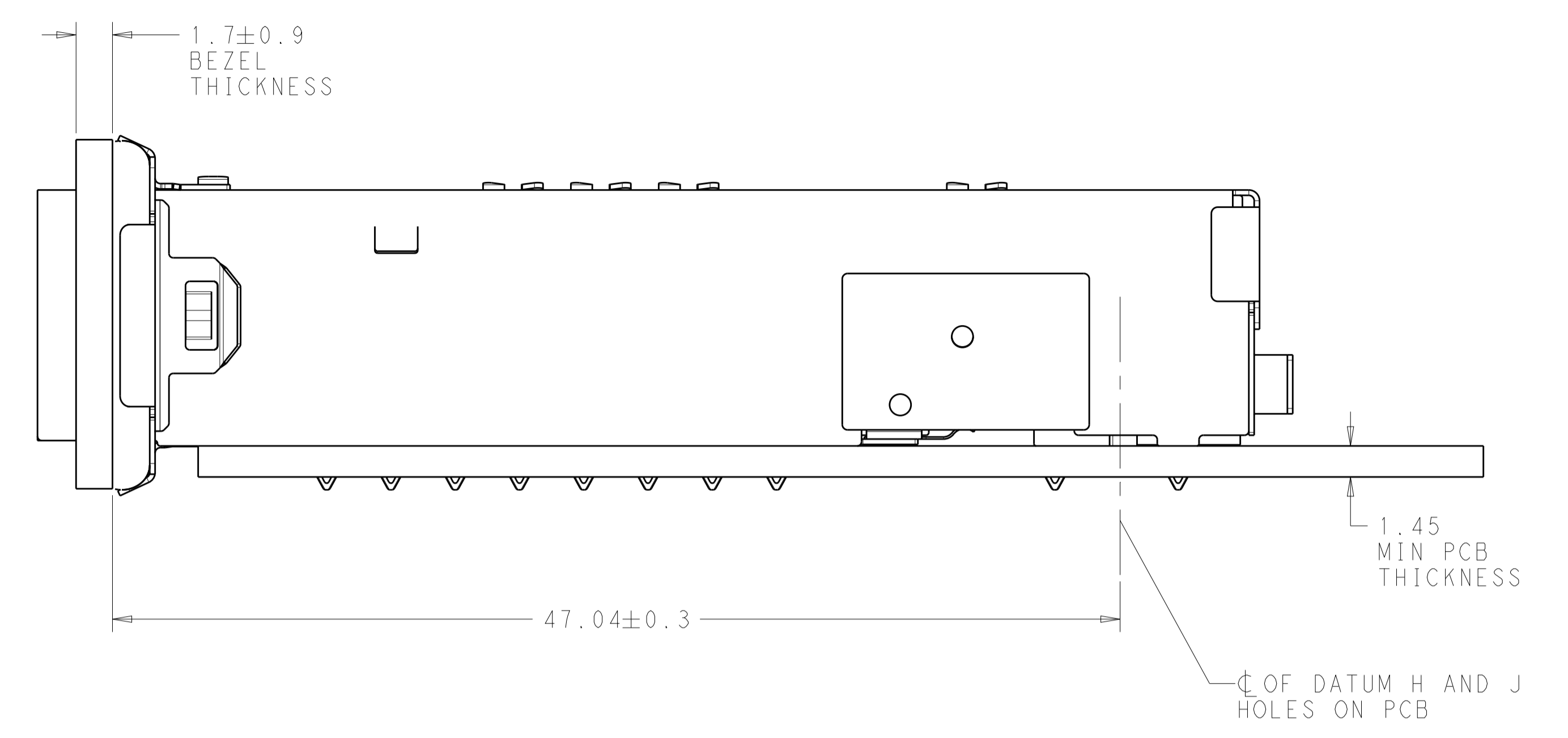
THIS PRINT IS
PRELIMINARY
 UNQUALIFIED PRODUCT
 CONTACT PRODUCT ENGINEERING
 BEFORE USING THIS PRINT

THIS DRAWING IS A CONTROLLED DOCUMENT.		DWN C. VALENTINE 12JAN2016	12JAN2016	
DIMENSIONS:		CHK E. BRIANT 12JAN2016	NAME CAGE ASSEMBLY, 1X4, microQSFP	
mm	TOLERANCES UNLESS OTHERWISE SPECIFIED:	APVD E. BRIANT 12JAN2016	PRODUCT SPEC 108-32129	
0 PLC	±	APPLICATION SPEC 114-32151	RESTRICTED TO	
1 PLC	±	WEIGHT	A1	
2 PLC	±	CUSTOMER DRAWING	SCALE 5:1 SHEET 2 OF 6 REV 11	
3 PLC	±			
4 PLC	±			
ANGLES	±1°			
FINISH				

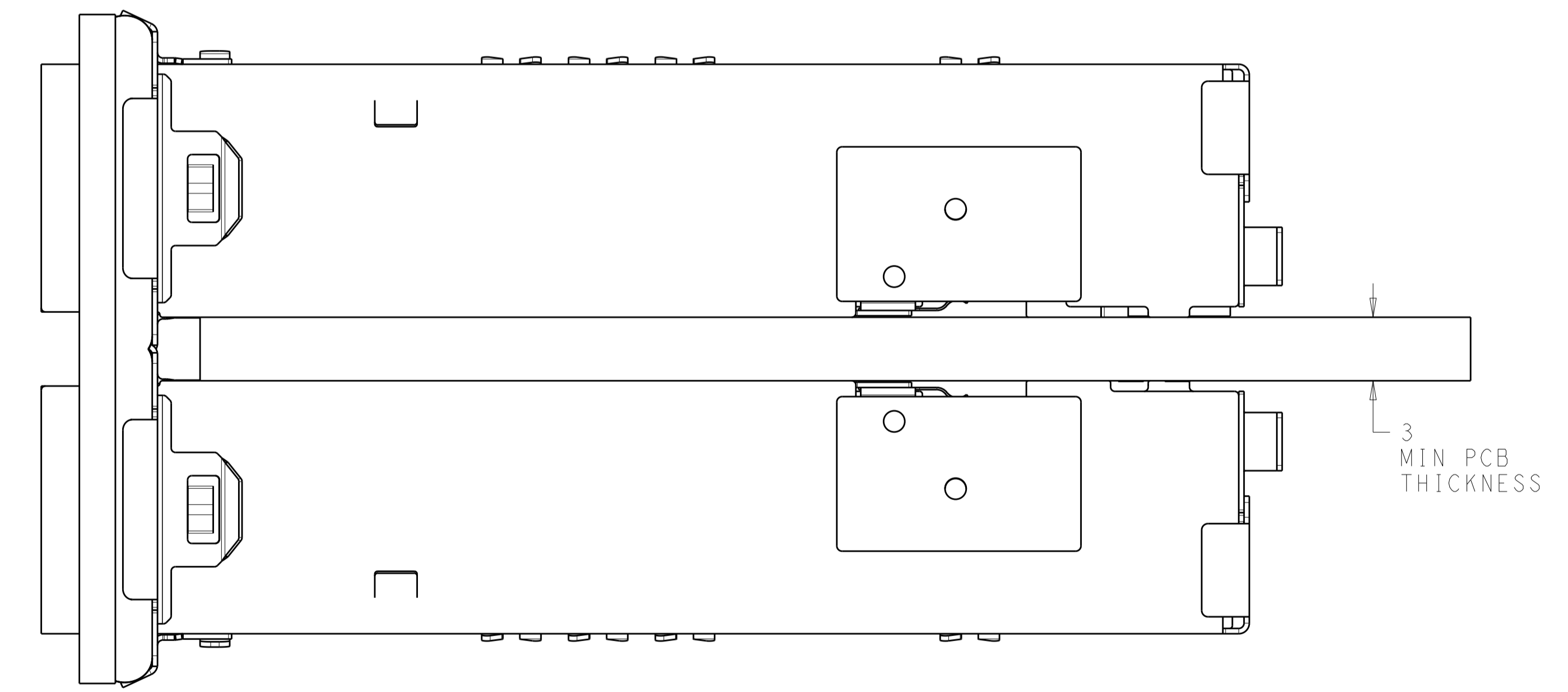
REVISIONS					
P.	LTN	DESCRIPTION	DATE	DMN	APVD
-	-	SEE SHEET 1	-	-	-



2297550-2
SINGLE SIDED
PCB AND BEZEL LAYOUT



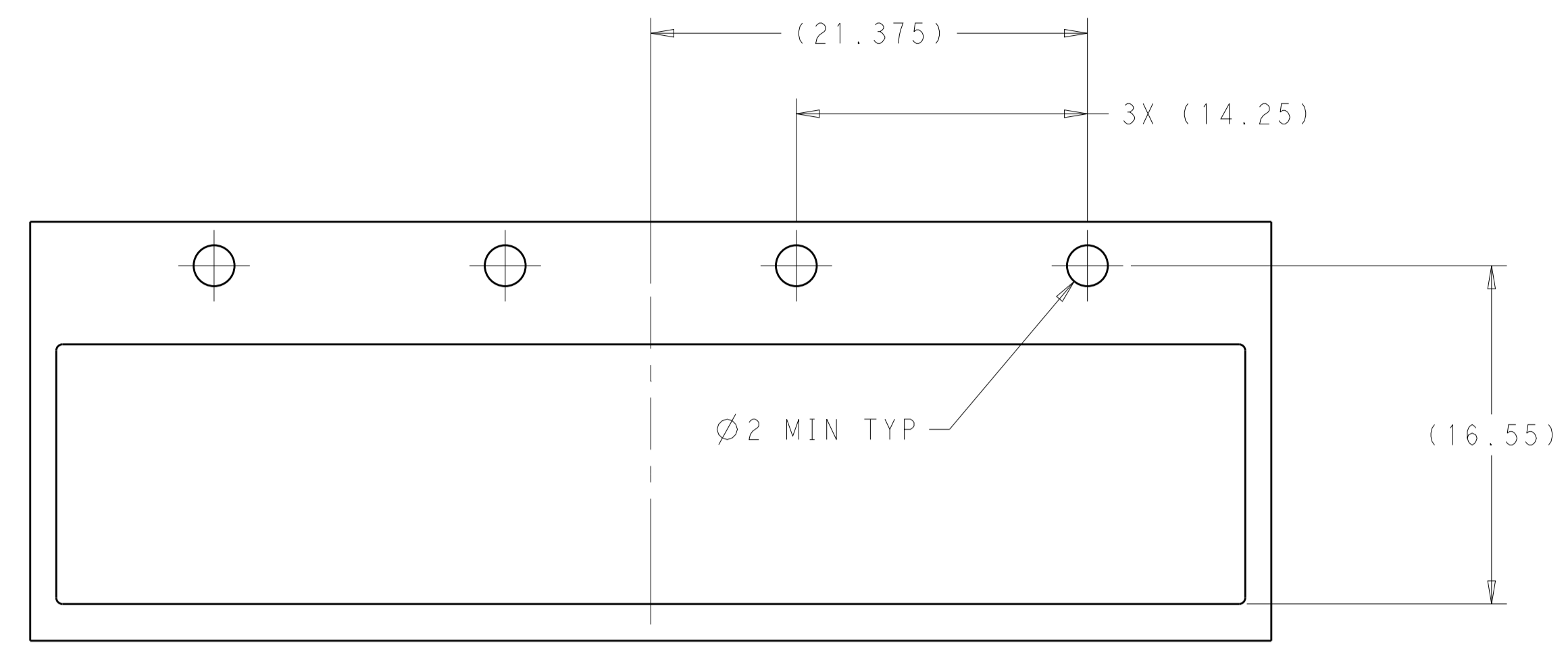
2297550-2
BELLY TO BELLY
SAME AS SINGLE SIDED
EXCEPT WHERE NOTED
PCB AND BEZEL LAYOUT



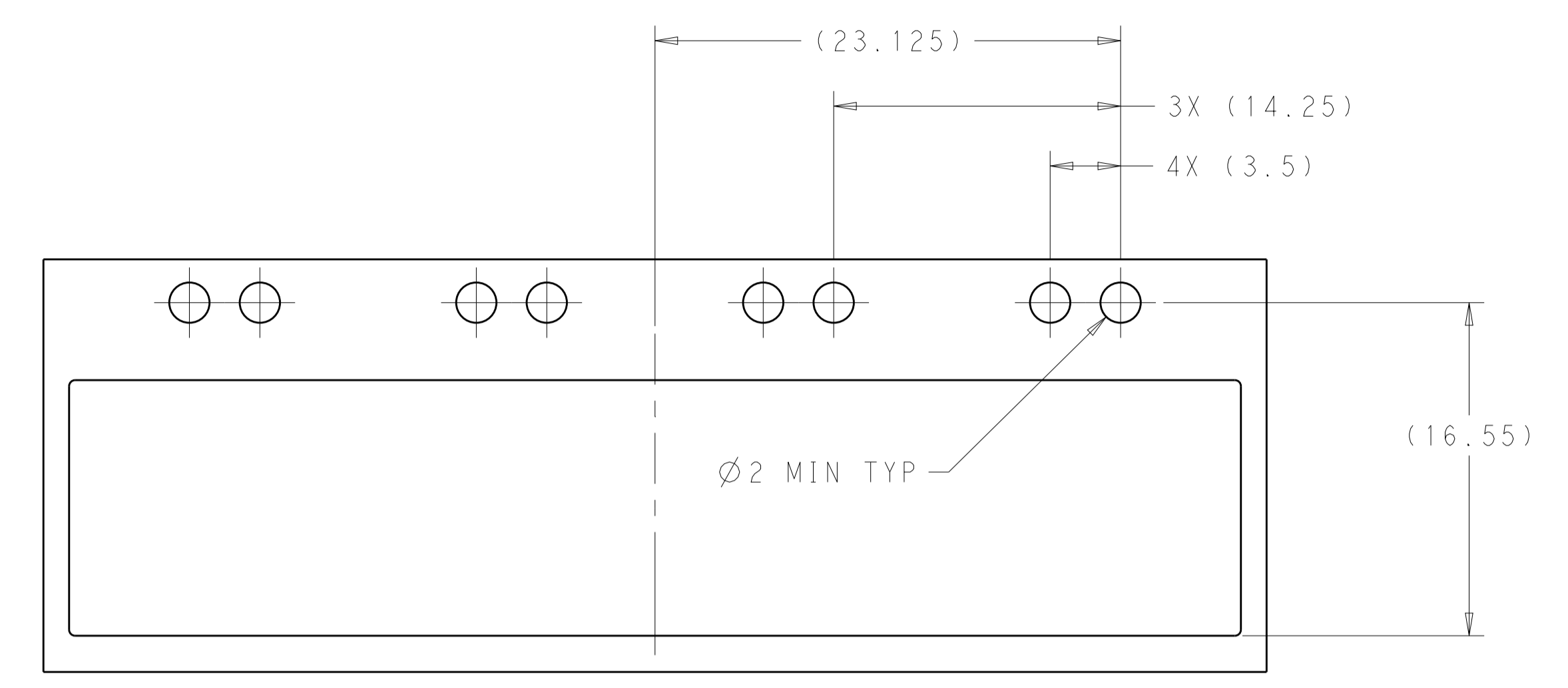
THIS PRINT IS
PRELIMINARY
UNQUALIFIED PRODUCT
CONTACT PRODUCT ENGINEERING
BEFORE USING THIS PRINT

THIS DRAWING IS A CONTROLLED DOCUMENT.		DMN C. VALENTINE 12JAN2016	TE Connectivity	
DIMENSIONS:		CHK E. BRIANT 12JAN2016	NAME CAGE ASSEMBLY, 1X4, microQSFP	
mm	TOLERANCES UNLESS OTHERWISE SPECIFIED:	APVD E. BRIANT 12JAN2016	PRODUCT SPEC 108-32129	
0 PLC	±	PRODUCT SPEC	APPLICATION SPEC	
2 PLC	±	114-32151	SIZE A1	
3 PLC	±	WEIGHT	CAGE CODE C=2297550	
4 PLC	±	CUSTOMER DRAWING	RESTRICTED TO	
ANGLES	±1°	SCALE	5:1	
FINISH	-	SHEET	3 OF 6	
MATERIAL	-	REV	11	

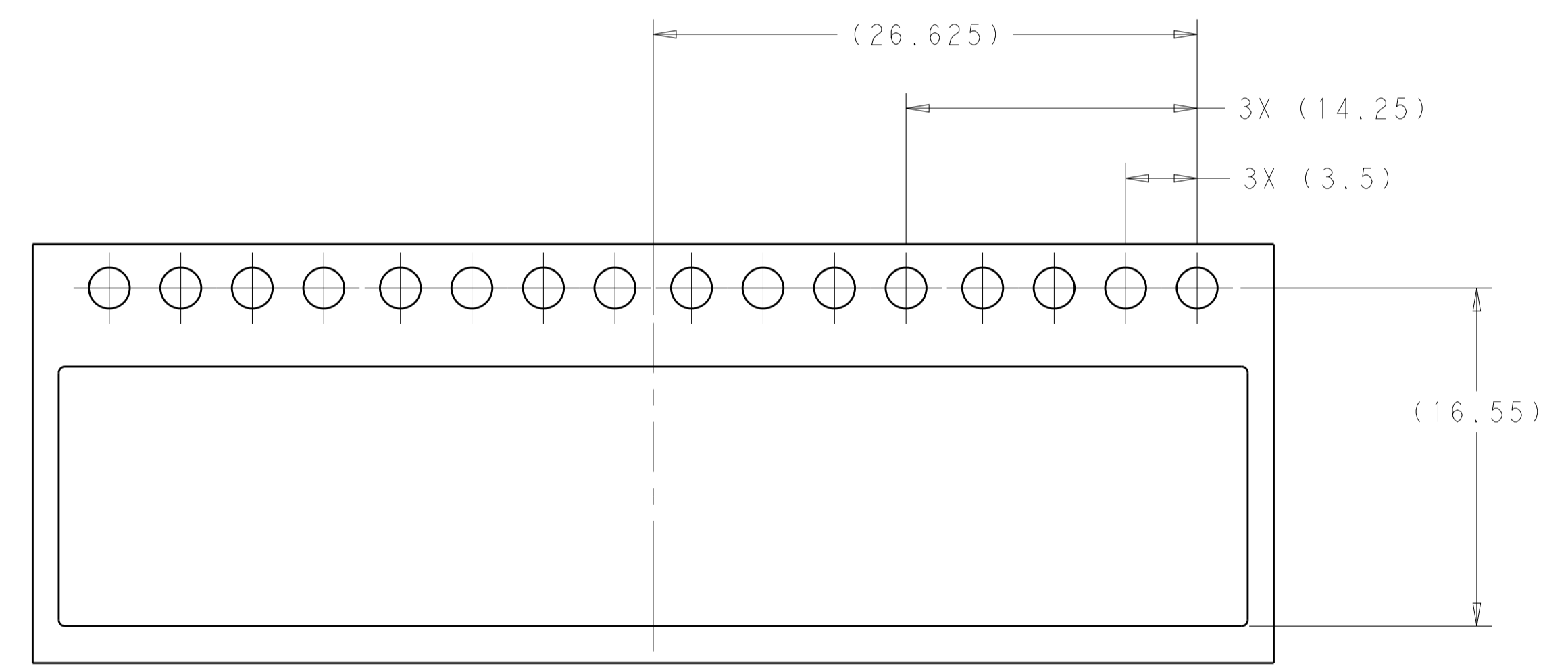
REVISIONS				
P.	LTA	DESCRIPTION	DATE	APVD
-	-	SEE SHEET 1	-	-



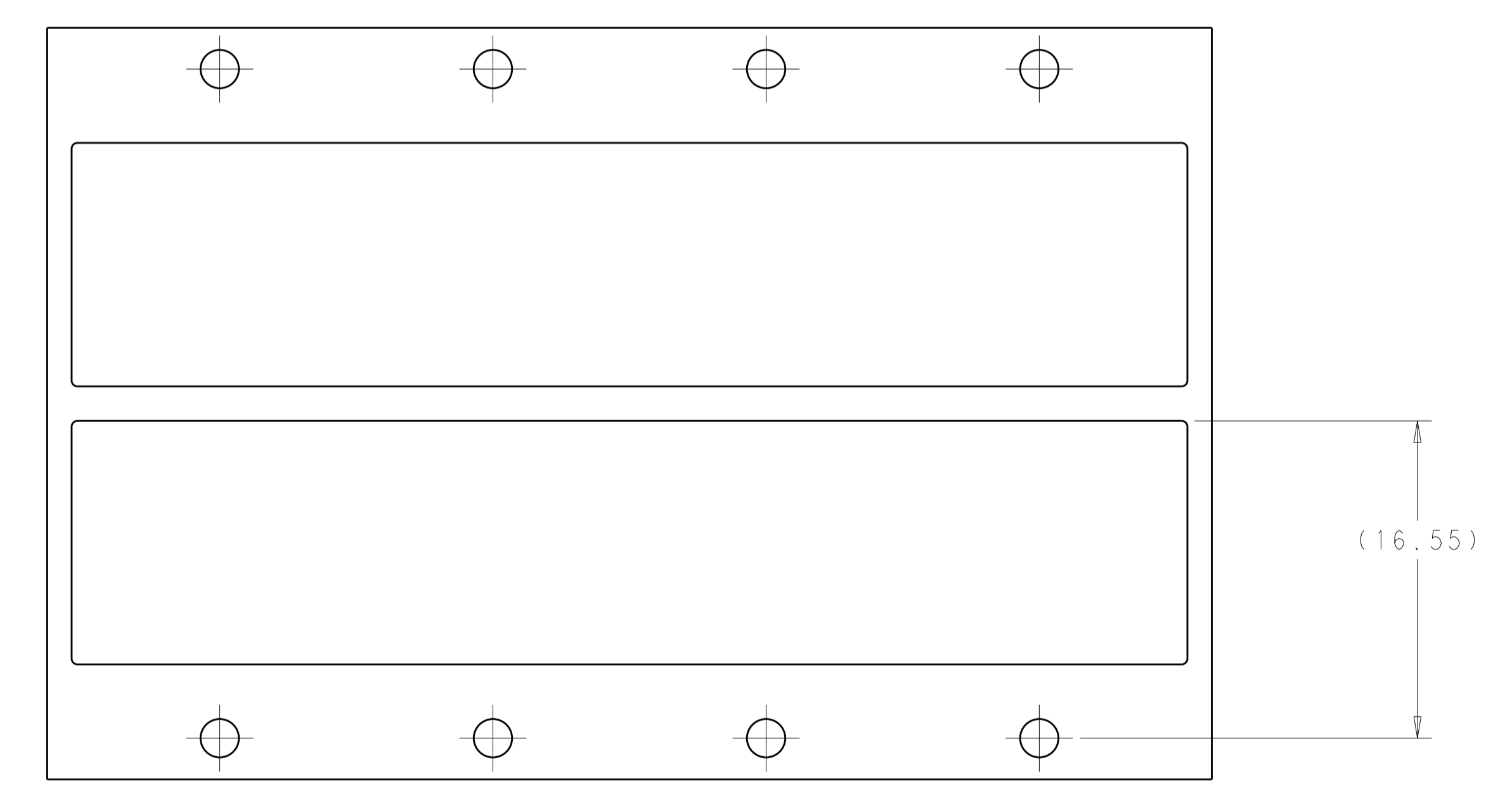
BEZEL LAYOUT FOR SINGLE LIGHT PIPE
 SINGLE SIDED
 SCALE 4:1



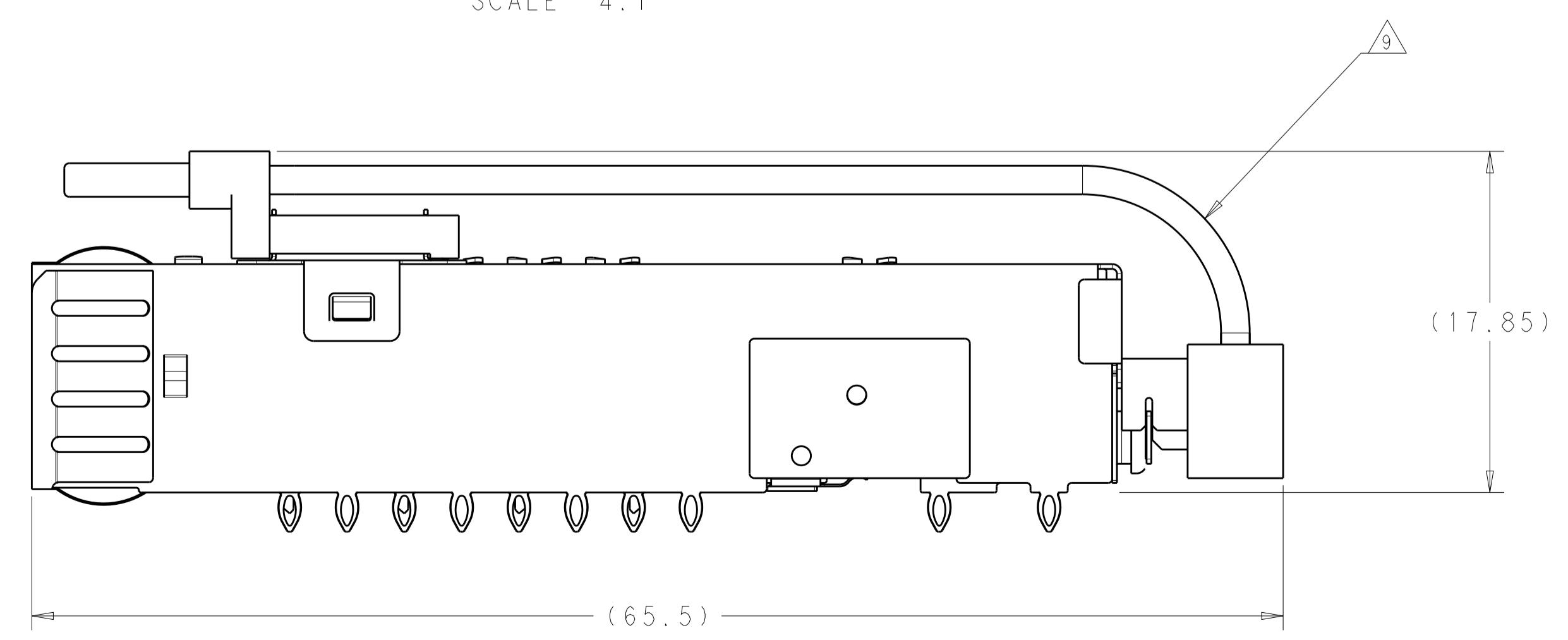
BEZEL LAYOUT FOR DOUBLE LIGHT PIPE
 SINGLE SIDED
 SCALE 4:1



BEZEL LAYOUT FOR QUAD LIGHT PIPES
 SINGLE SIDED
 SCALE 4:1



BEZEL LAYOUT FOR LIGHT PIPES
 BELLY TO BELLY
 SIMILAR TO SINGLE SIDED
 EXCEPT WHERE NOTED
 SCALE 4:1



4-2297550-1
 SCALE 4:1

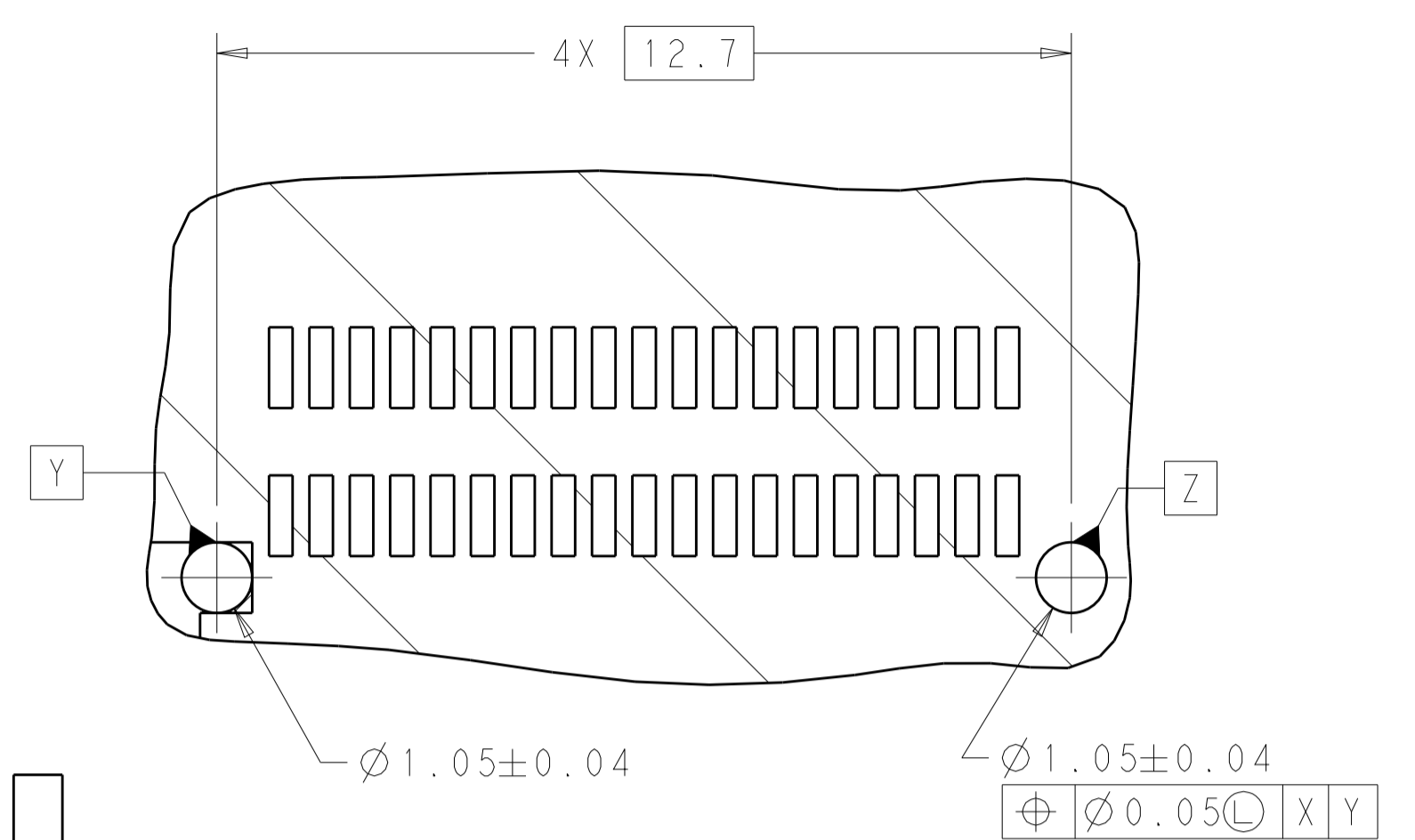
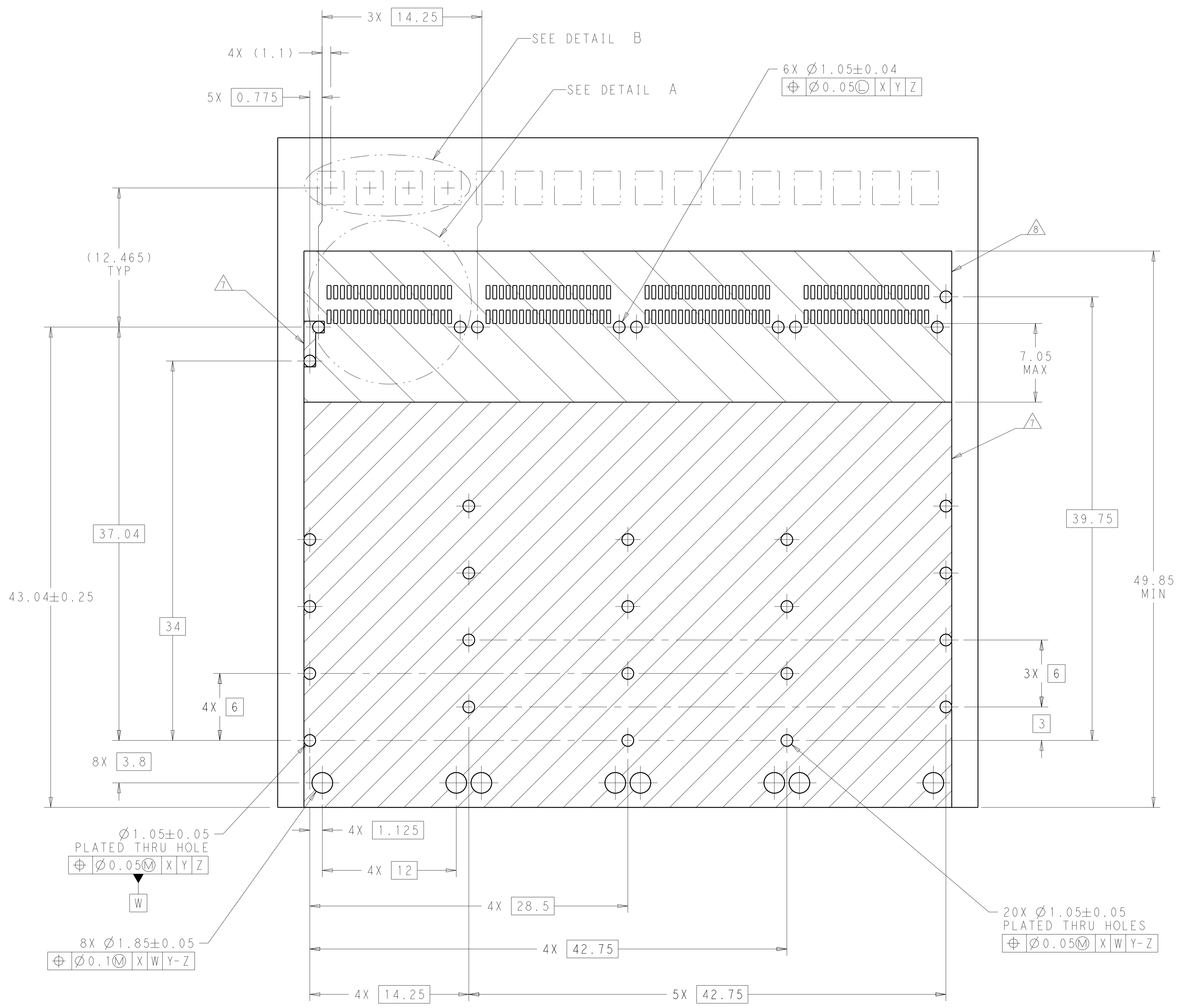
THIS PRINT IS
PRELIMINARY
 UNQUALIFIED PRODUCT
 CONTACT PRODUCT ENGINEERING
 BEFORE USING THIS PRINT

THIS DRAWING IS A CONTROLLED DOCUMENT.		DWN C. VALENTINE 12JAN2016	TE Connectivity	
DIMENSIONS: mm		CHK E. BRIANT 12JAN2016		
TOLERANCES UNLESS OTHERWISE SPECIFIED:		APVD E. BRIANT 12JAN2016	NAME CAGE ASSEMBLY, 1X4, microOSFP	
		PRODUCT SPEC 108-32129	RESTRICTED TO	
MATERIAL		APPLICATION SPEC 114-32151	SIZE A1	
FINISH		WEIGHT	SCALE 5:1 SHEET 4 OF 6 REV 11	
CUSTOMER DRAWING		©=2297550		

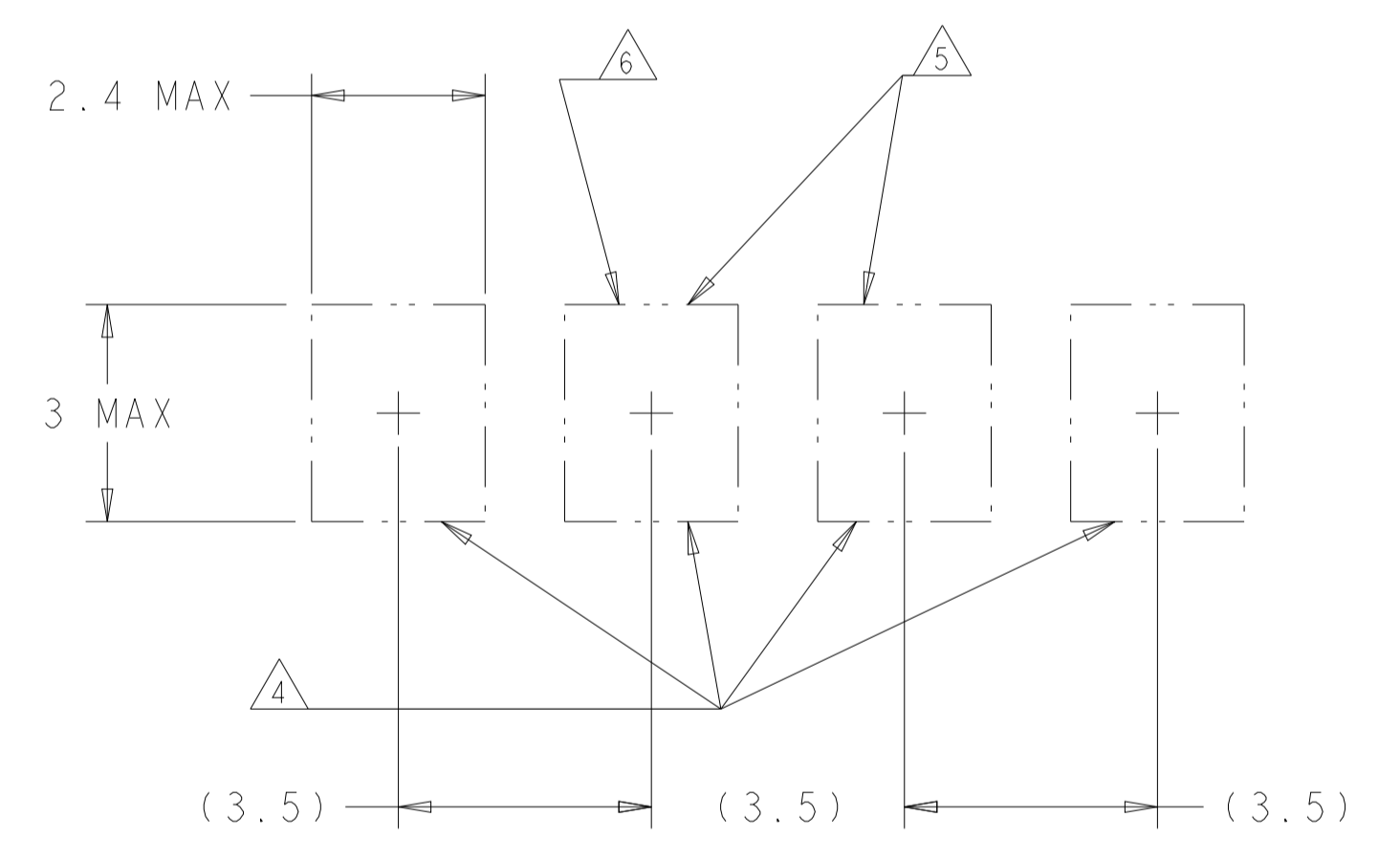
THIS PRINT IS
PRELIMINARY
 UNQUALIFIED PRODUCT
 CONTACT PRODUCT ENGINEERING
 BEFORE USING THIS PRINT

REVISIONS				
P.	LTN.	DESCRIPTION	DATE	APVD.
-	-	SEE SHEET 1	-	-

SINGLE SIDED
 RECOMMENDED PCB LAYOUT



DETAIL A
 SCALE 10:1



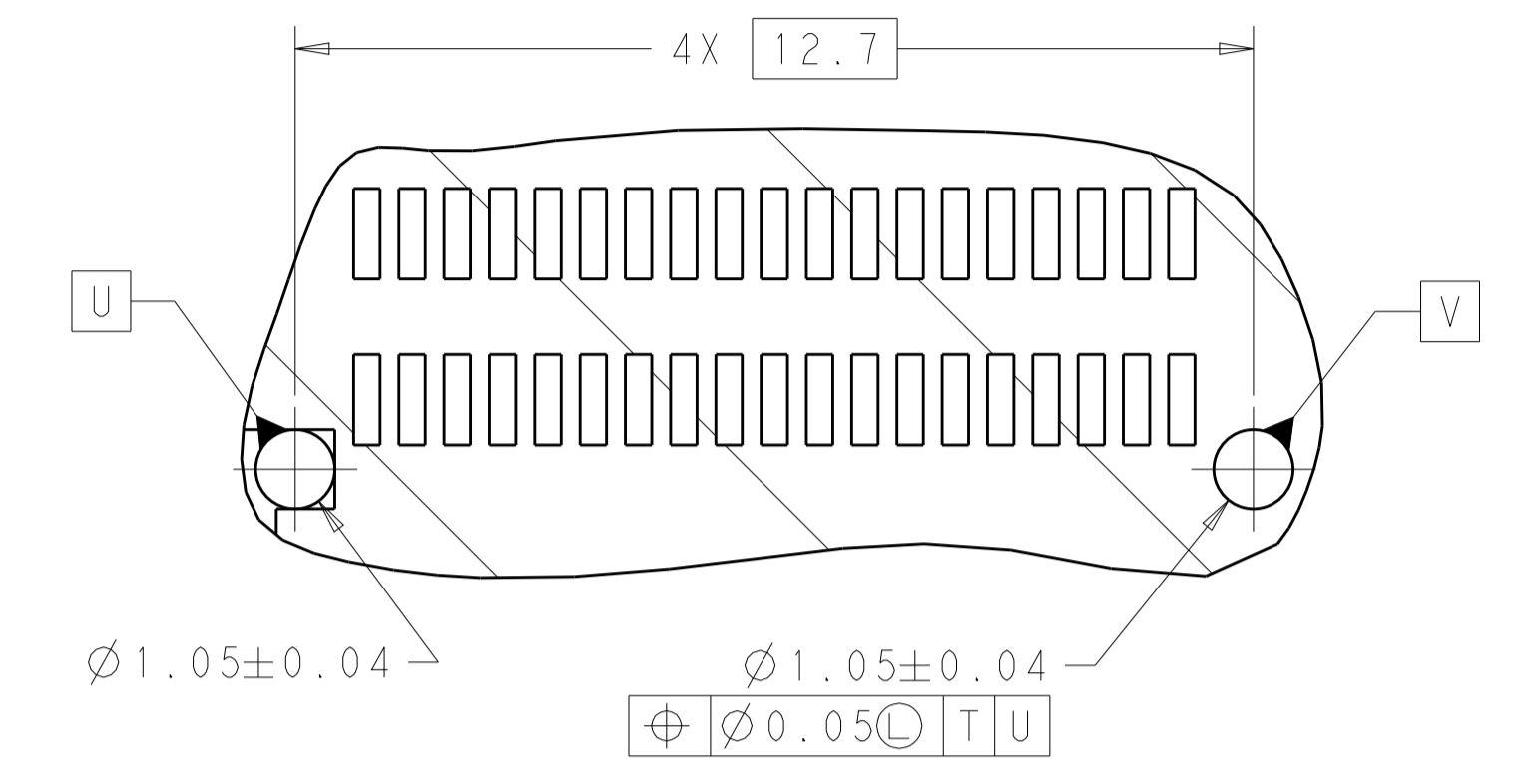
DETAIL B
 SCALE 10:1

THIS DRAWING IS A CONTROLLED DOCUMENT.		DWN C. VALENTINE CHK E. BRIANT APVD E. BRIANT	12JAN2016 12JAN2016 12JAN2016	TE Connectivity NAME CAGE ASSEMBLY, 1X4, microQSFP
DIMENSIONS:	TOLERANCES UNLESS OTHERWISE SPECIFIED:	PRODUCT SPEC 108-32129	APPLICATION SPEC 114-32151	
mm	0 PLC ± 2 PLC ± 3 PLC ± 4 PLC ± ANGLES ±1°	SIZE A1	CAGE CODE C=2297550	RESTRICTED TO
MATERIAL	FINISH	WEIGHT	CUSTOMER DRAWING	SCALE 5:1 SHEET 5 OF 6 REV 11

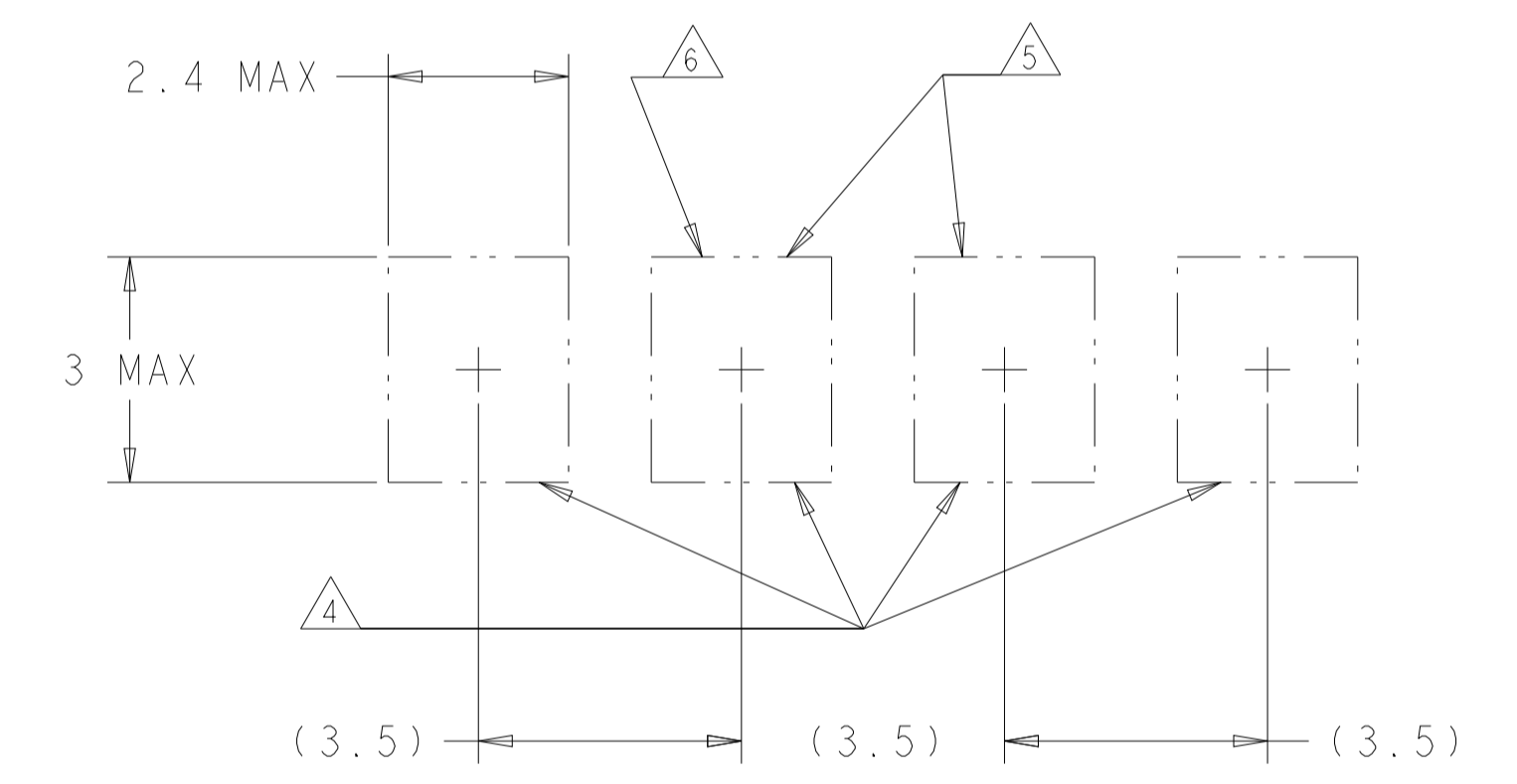
REVISIONS				
P.	LTN.	DESCRIPTION	DATE	APVD.
-	-	SEE SHEET 1	-	-

THIS PRINT IS
PRELIMINARY
 UNQUALIFIED PRODUCT
 CONTACT PRODUCT ENGINEERING
 BEFORE USING THIS PRINT

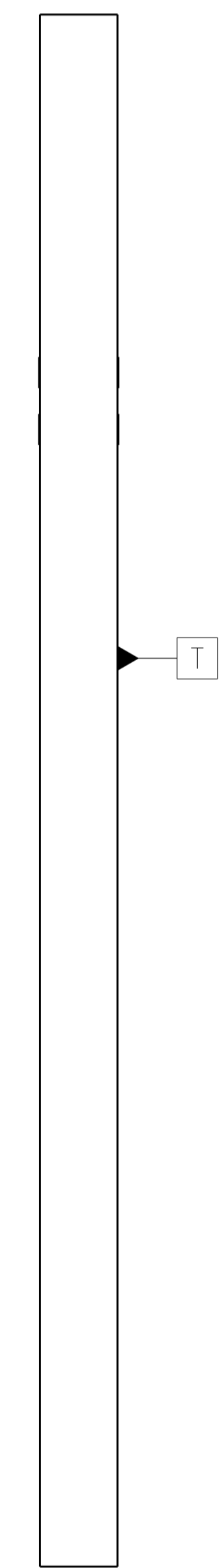
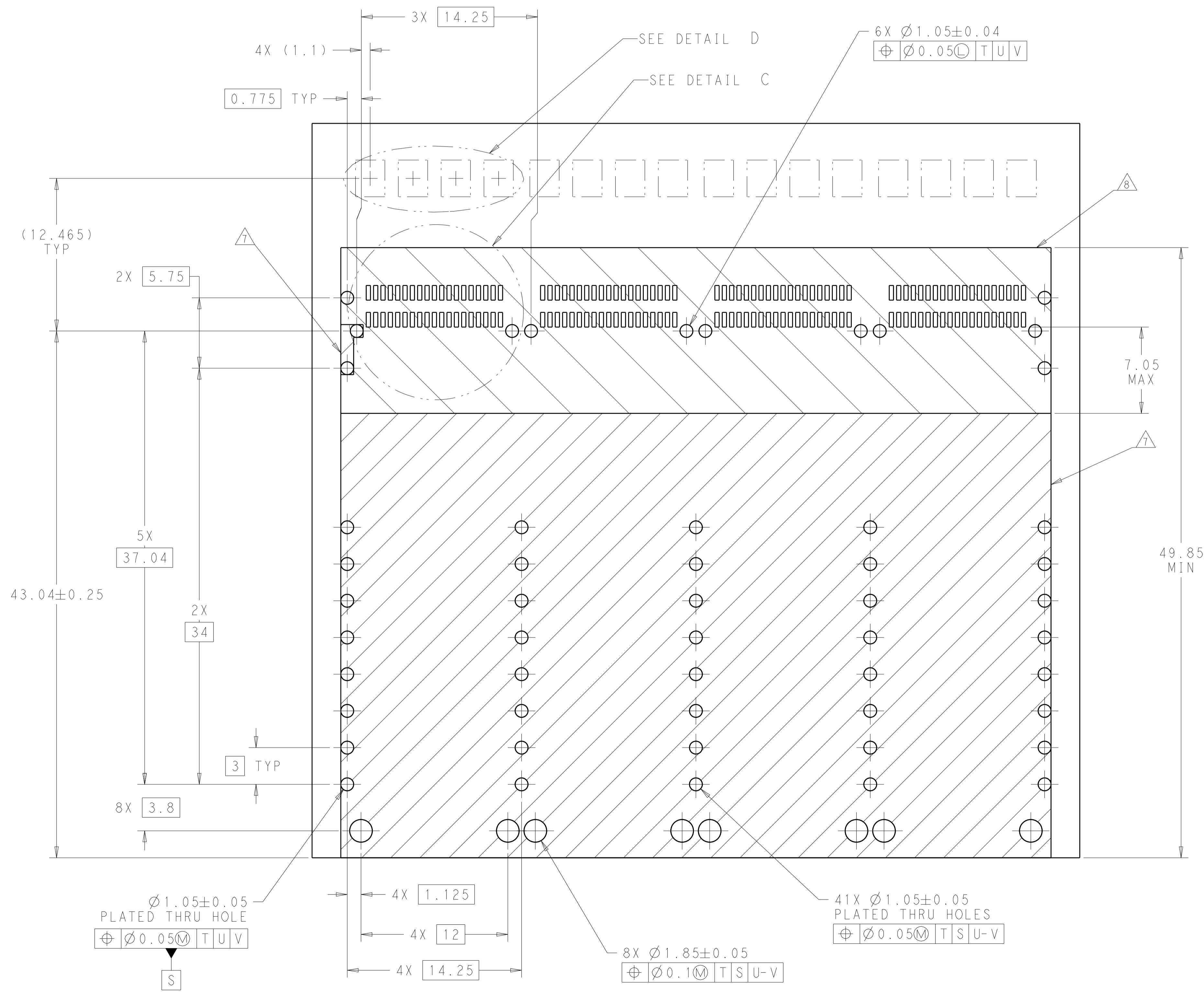
BELLY TO BELLY
 RECOMMENDED PCB LAYOUT



DETAIL C
 SCALE 10:1



DETAIL D
 SCALE 10:1



THIS DRAWING IS A CONTROLLED DOCUMENT.		DWN C. VALENTINE 12JAN2016	TE Connectivity
DIMENSIONS:		CHK E. BRIANT 12JAN2016	
mm	TOLERANCES UNLESS OTHERWISE SPECIFIED:	APVD E. BRIANT 12JAN2016	NAME CAGE ASSEMBLY, 1X4, microQSFP
0 PLC ± 1 PLC ± 2 PLC ± 3 PLC ± 4 PLC ± ANGLES ±1°	0 PLC ± 1 PLC ± 2 PLC ± 3 PLC ± 4 PLC ± ANGLES ±1°	PRODUCT SPEC 108-32129	SIZE A1
MATERIAL	FINISH	APPLICATION SPEC 114-32151	CAGE CODE DRAWING NO C=2297550
		WEIGHT	RESTRICTED TO
		CUSTOMER DRAWING	SCALE 5:1 SHEET 6 OF 6 REV 11