



Chipsmall Limited consists of a professional team with an average of over 10 year of expertise in the distribution of electronic components. Based in Hongkong, we have already established firm and mutual-benefit business relationships with customers from,Europe,America and south Asia,supplying obsolete and hard-to-find components to meet their specific needs.

With the principle of “Quality Parts,Customers Priority,Honest Operation,and Considerate Service”,our business mainly focus on the distribution of electronic components. Line cards we deal with include Microchip,ALPS,ROHM,Xilinx,Pulse,ON,Everlight and Freescale. Main products comprise IC,Modules,Potentiometer,IC Socket,Relay,Connector.Our parts cover such applications as commercial,industrial, and automotives areas.

We are looking forward to setting up business relationship with you and hope to provide you with the best service and solution. Let us make a better world for our industry!



Contact us

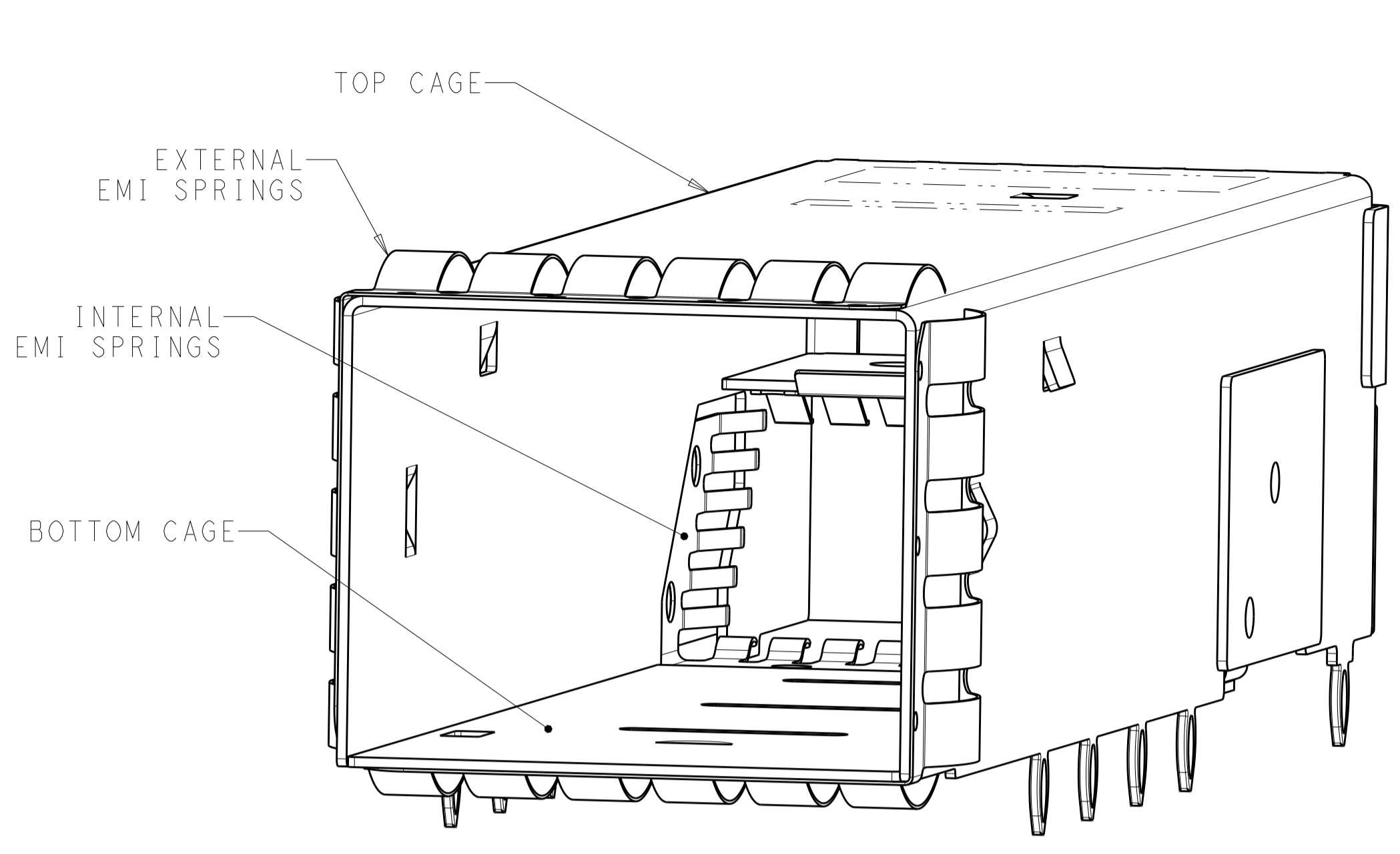
Tel: +86-755-8981 8866 Fax: +86-755-8427 6832

Email & Skype: info@chipsmall.com Web: www.chipsmall.com

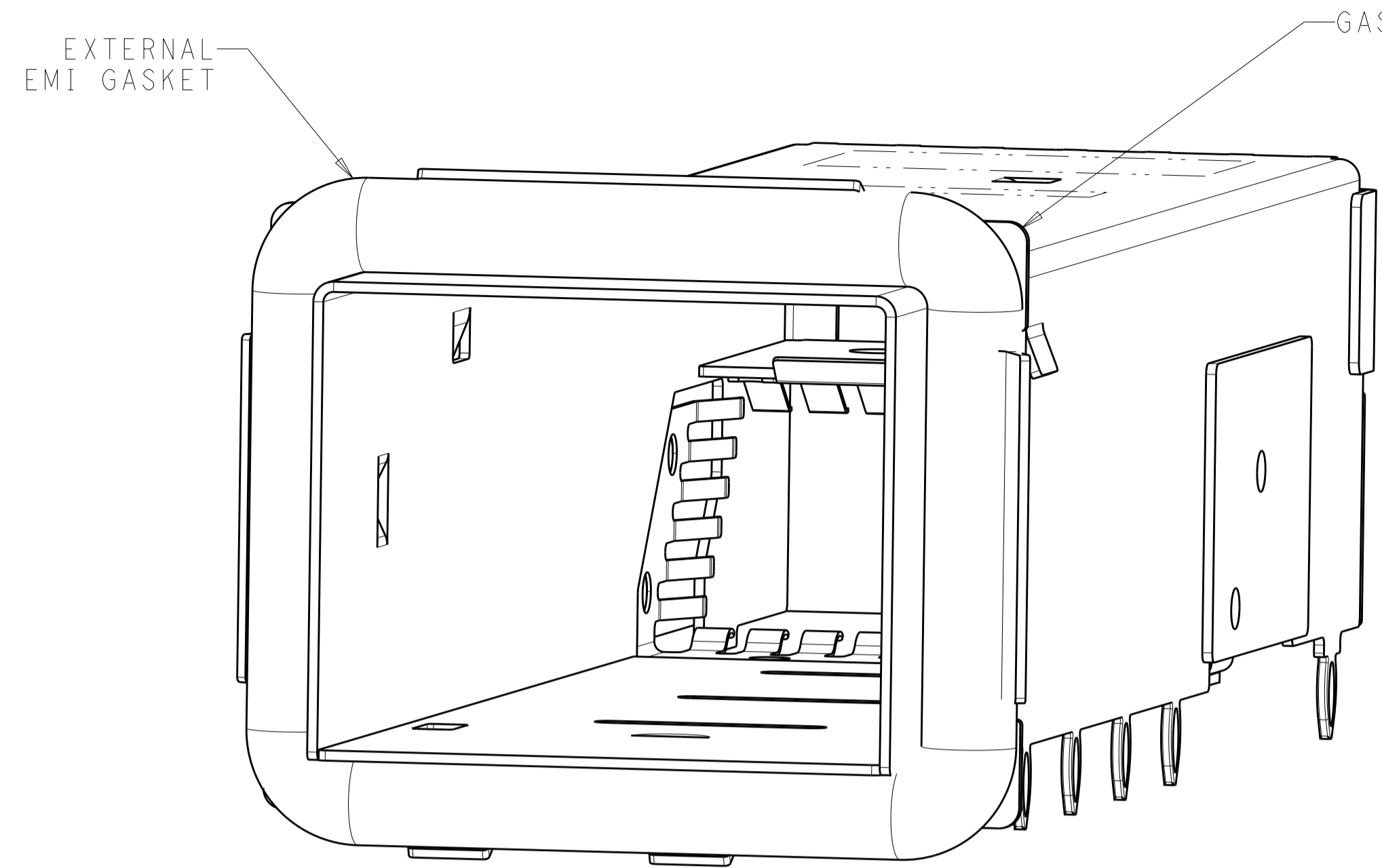
Address: A1208, Overseas Decoration Building, #122 Zhenhua RD., Futian, Shenzhen, China



REVISIONS				
P.	LTM	DESCRIPTION	DATE	APVD
4		REVISED	04AUG2016	CJV EDB
5		UPDATED VIEWS	29SEP2016	CJV EDB
6		UPDATE VIEWS	03FEB2017	CJV EDB
7		UPDATED VIEWS	03MAR2017	CJV EDB

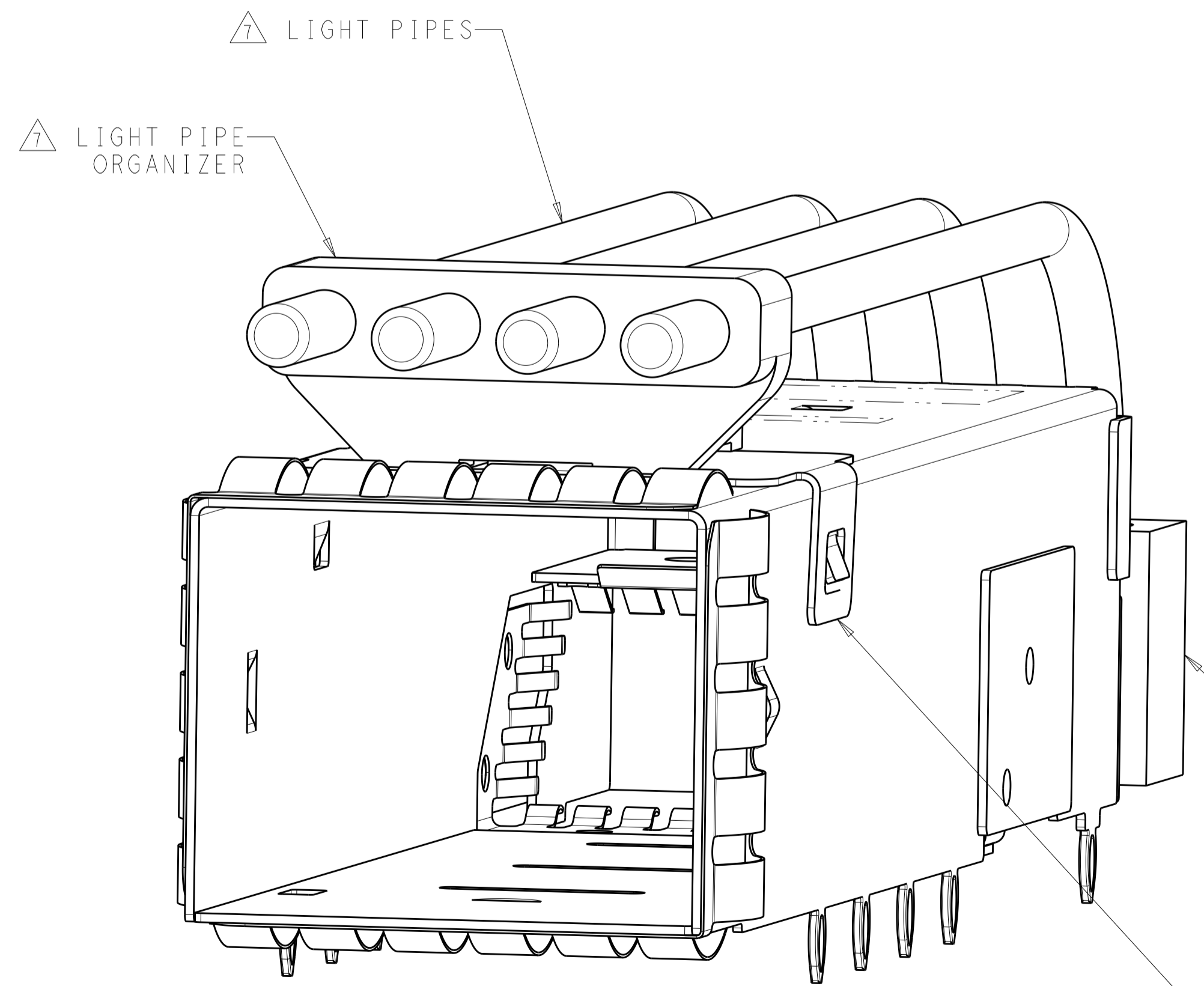


2297551-1
ISOMETRIC VIEW
SCALE 8:1

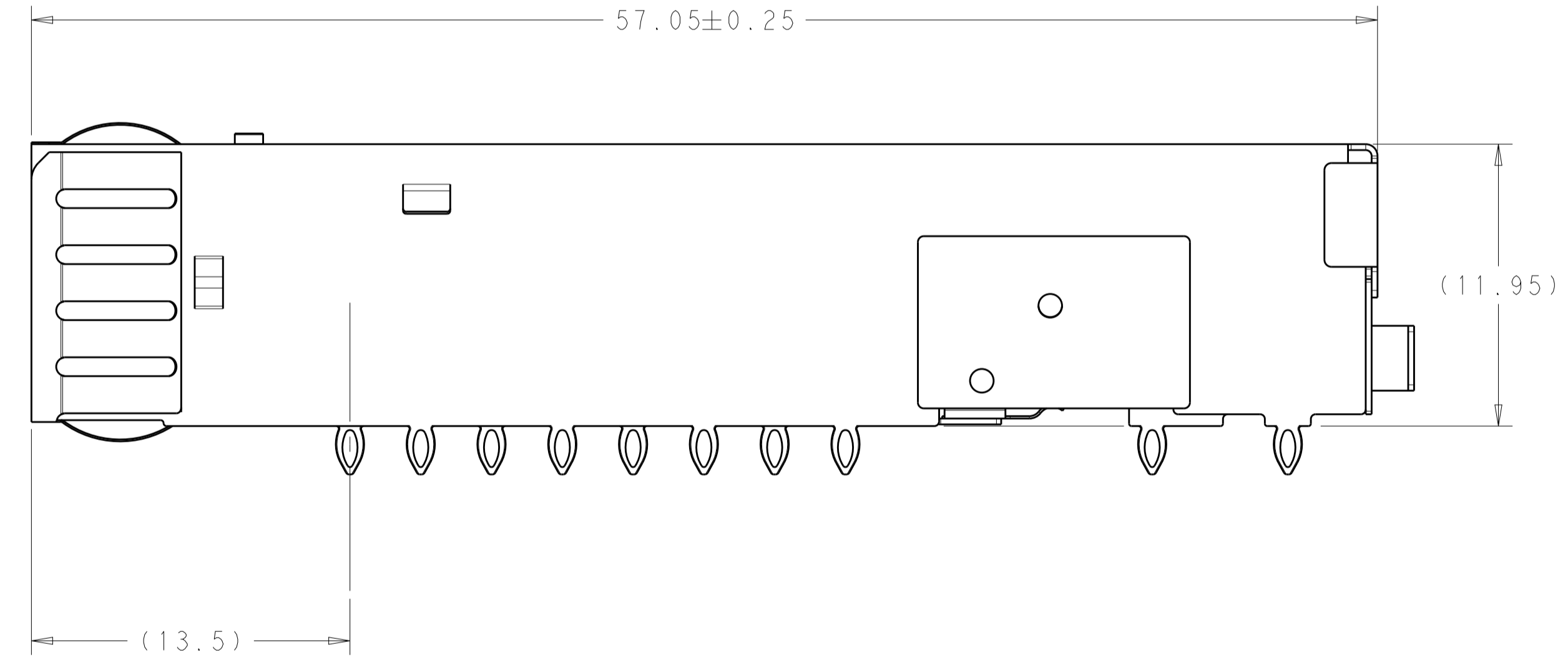
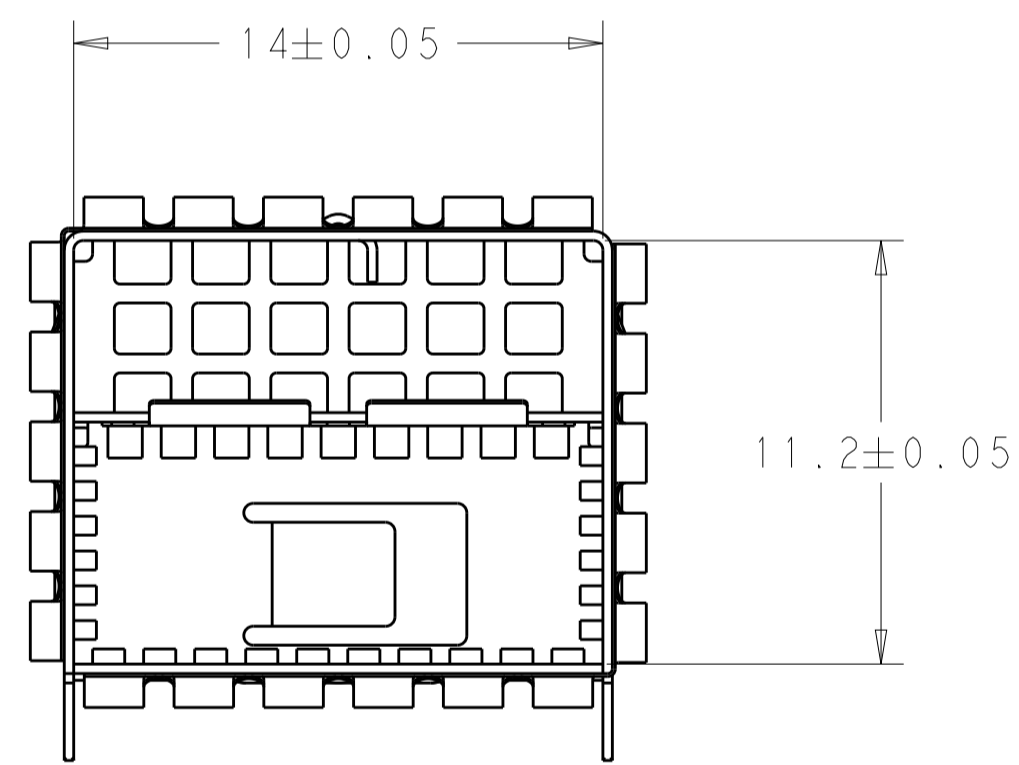


2297551-2
ISOMETRIC VIEW
SCALE 8:1

1. MATERIALS:
 TOP AND BOTTOM CAGE - STAINLESS STEEL
 GASKET FLANGE - STAINLESS STEEL
 EXTERNAL EMI SPRINGS - COPPER ALLOY
 EXTERNAL EMI GASKET - NICKEL CARBON
 INTERNAL EMI SPRINGS - COPPER ALLOY
 LIGHT PIPES - CLEAR POLYCARBONATE
 LIGHT PIPE ORGANIZERS - POLYCARBONATE
 LIGHT PIPE BRACKET - STAINLESS STEEL
- ⚠ 2 FOR HOLE SIZE AND PLATINGS SEE APPLICATION SPEC 114-32151.
 - ⚠ 3 NOTE REMOVED.
 - ⚠ 4 LED PLACEMENT AREA FOR 4 LIGHT PIPE DASH NUMBERS.
 - ⚠ 5 LED PLACEMENT AREA FOR 2 LIGHT PIPE DASH NUMBERS.
 - ⚠ 6 LED PLACEMENT AREA FOR 1 LIGHT PIPE DASH NUMBERS.
 - ⚠ 7 LIGHT PIPE ASSEMBLY SHOWN ASSEMBLED TO CAGE ASSEMBLY FOR REFERENCE. LIGHT PIPE ASSEMBLY IS SHIPPED UNASSEMBLED TO CAGE ASSEMBLY.
 - ⚠ 8 COMPONENT KEEPOUT AND SURFACE TRACE KEEPOUT (EXCEPT CHASSIS GROUND).
 - ⚠ 9 COMPONENT KEEPOUT.



4-2297551-1
ISOMETRIC VIEW
SCALE 8:1



LIGHT PIPE ORGANIZER

LIGHT PIPE BRACKET

4	GASKET	4-2297551-2
4	SPRING	4-2297551-1
2	GASKET	2-2297551-2
2	SPRING	2-2297551-1
1	GASKET	1-2297551-2
1	SPRING	1-2297551-1
0	GASKET	2297551-2
0	SPRING	2297551-1
LIGHT PIPES PER PORT		EXTERNAL EMI SHIELDING
		PART NUMBER

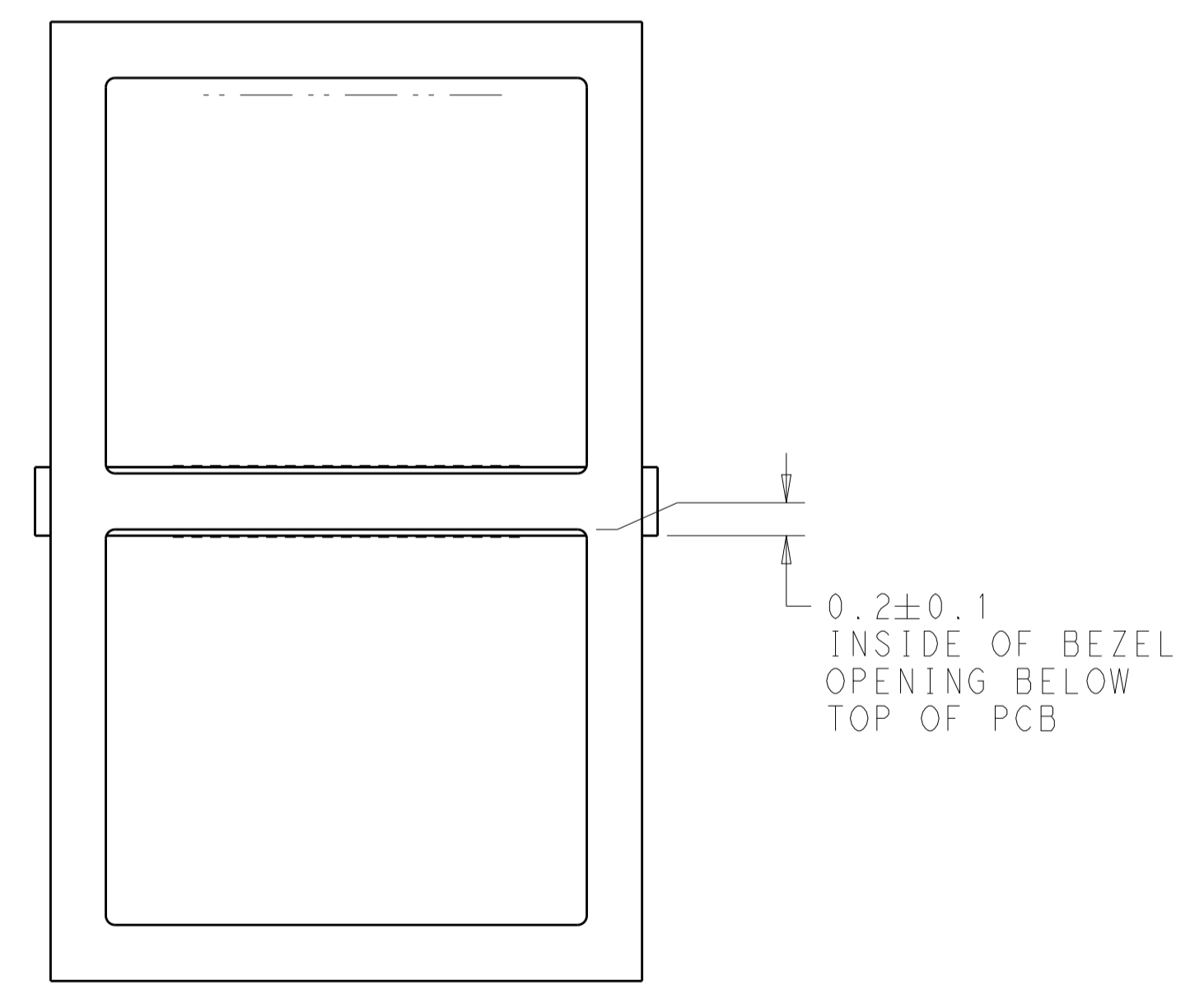
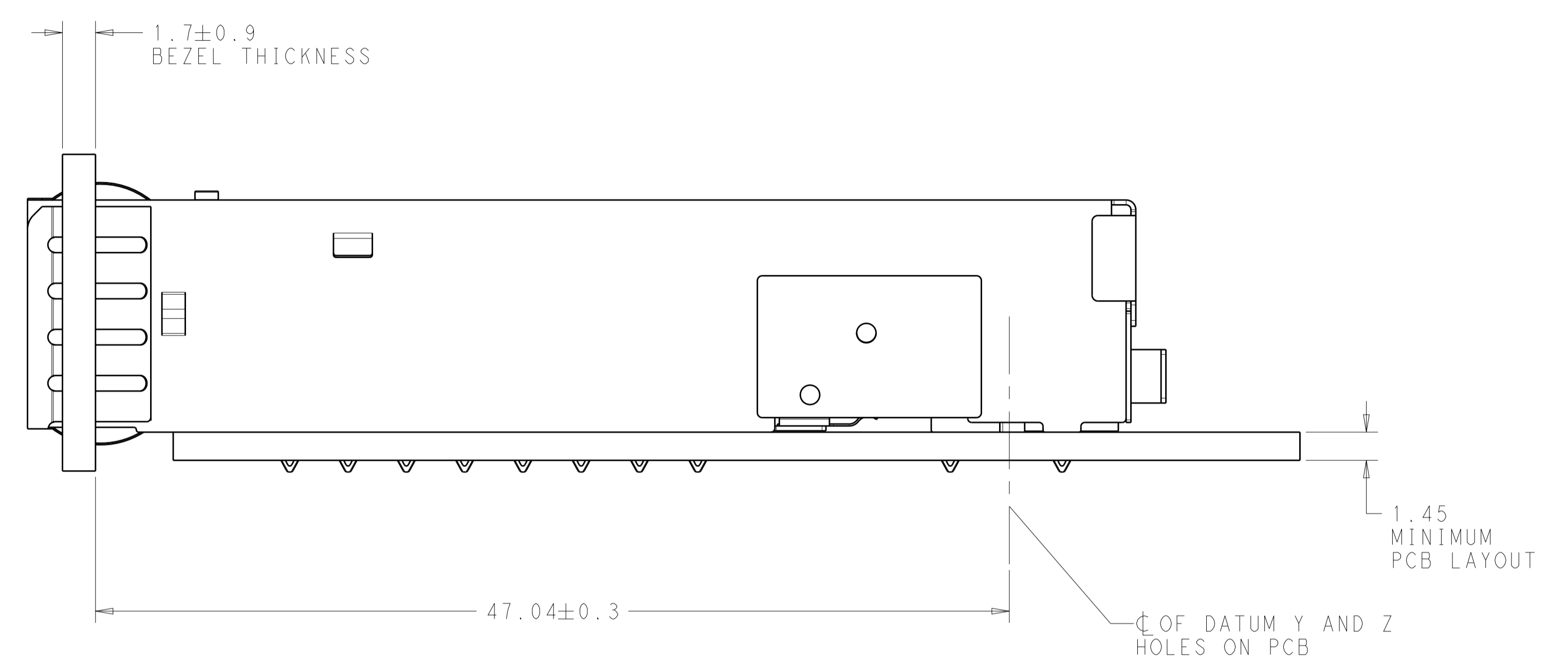
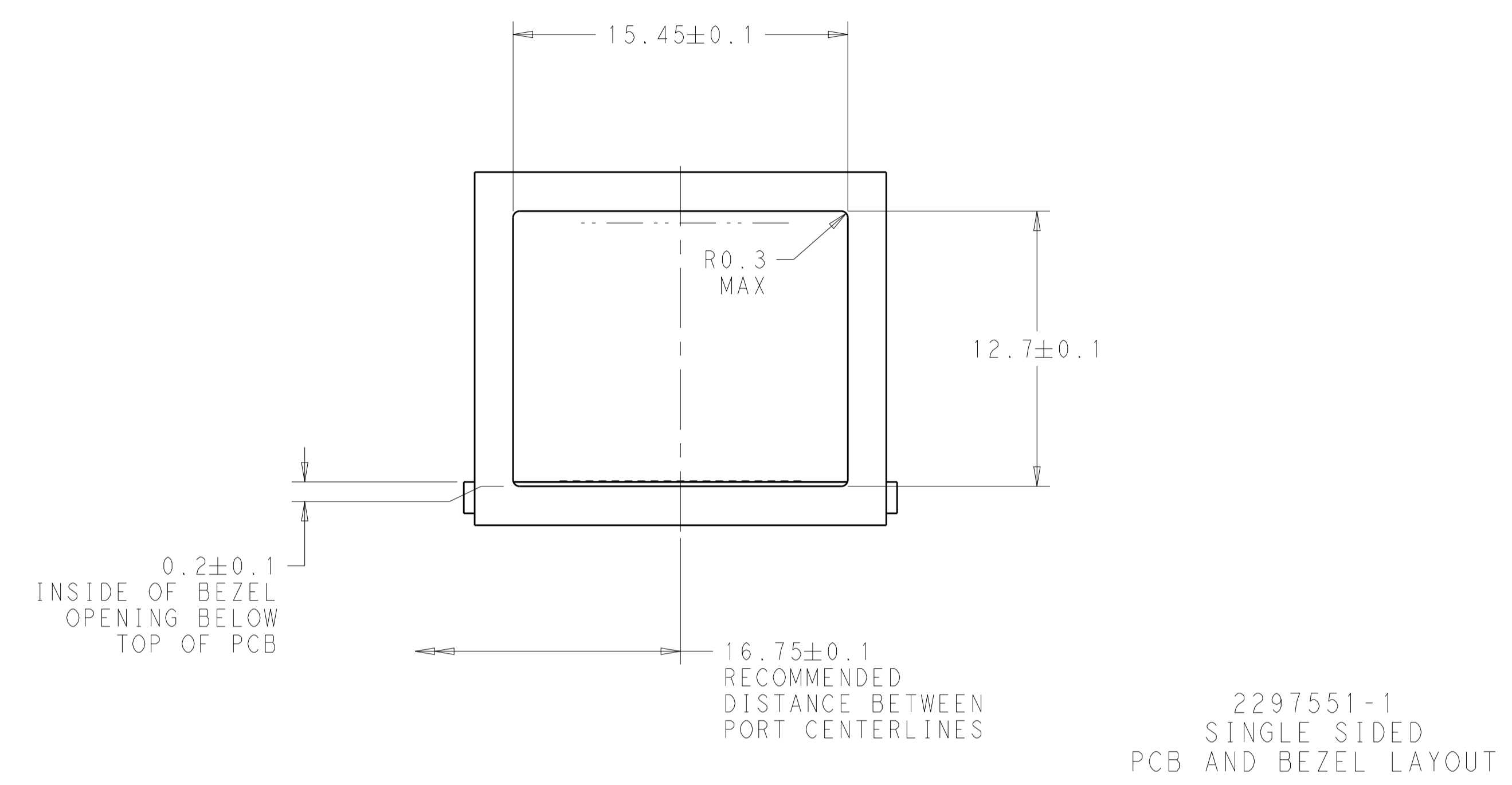
THIS PRINT IS
PRELIMINARY
 UNQUALIFIED PRODUCT
 CONTACT PRODUCT ENGINEERING
 BEFORE USING THIS PRINT

DIMENSIONS:		TOLERANCES UNLESS OTHERWISE SPECIFIED:	
mm	0 PLC	±	
	1 PLC	±	
	2 PLC	±	
	3 PLC	±	
	4 PLC	±	
	ANGLES	±	
	FINISH	#1	

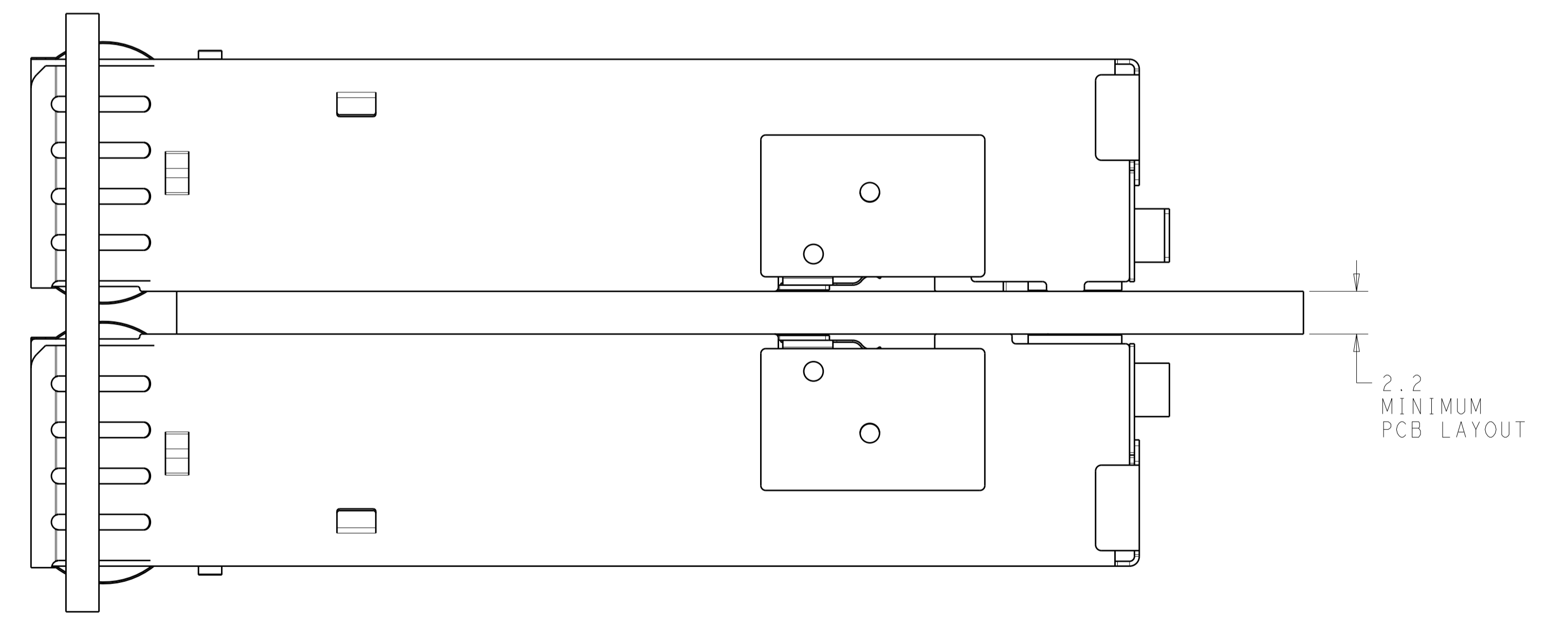
THIS DRAWING IS A CONTROLLED DOCUMENT.		OWN C. VALENTINE 19JAN2016	CHK E. BRIANT 19JAN2016	APVD E. BRIANT 19JAN2016
MATERIAL		PRODUCT SPEC 108-32129	APPLICATION SPEC 114-32151	WEIGHT
		Customer Drawing	Customer Drawing	Customer Drawing

NAME CAGE ASSEMBLY, SINGLE PORT, microQSFP		SIZE A1	CAGE CODE	DRAWING NO. C=2297551	RESTRICTED TO
SCALE 5:1		SHEET 1	OF 6	REV 7	

REVISIONS				
P.	LTN.	DESCRIPTION	DATE	APPD.
-	-	SEE SHEET 1	-	-



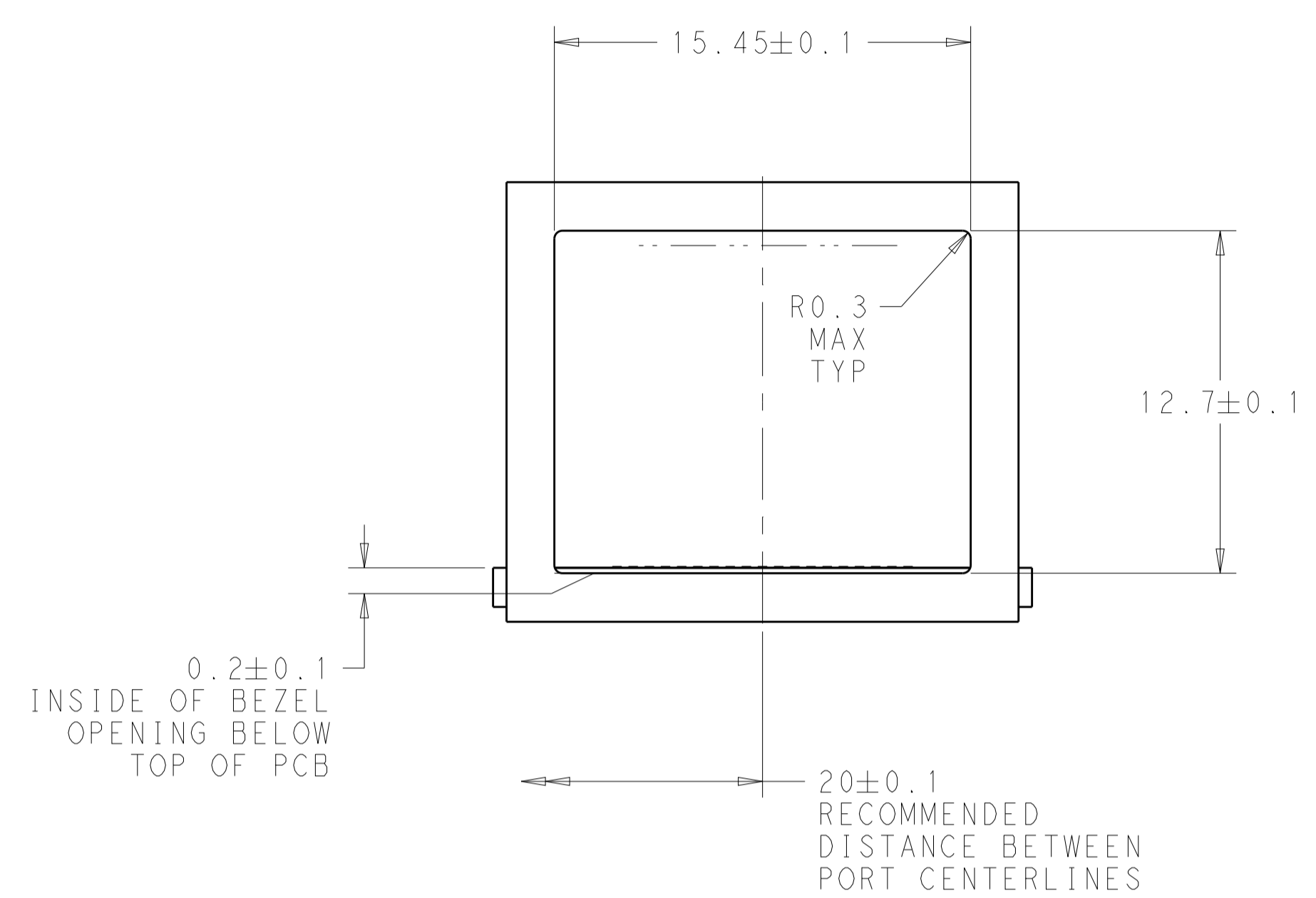
2297551-1
BELLY TO BELLY
SAME AS SINGLE SIDED
EXCEPT WHERE NOTED
PCB AND BEZEL LAYOUT



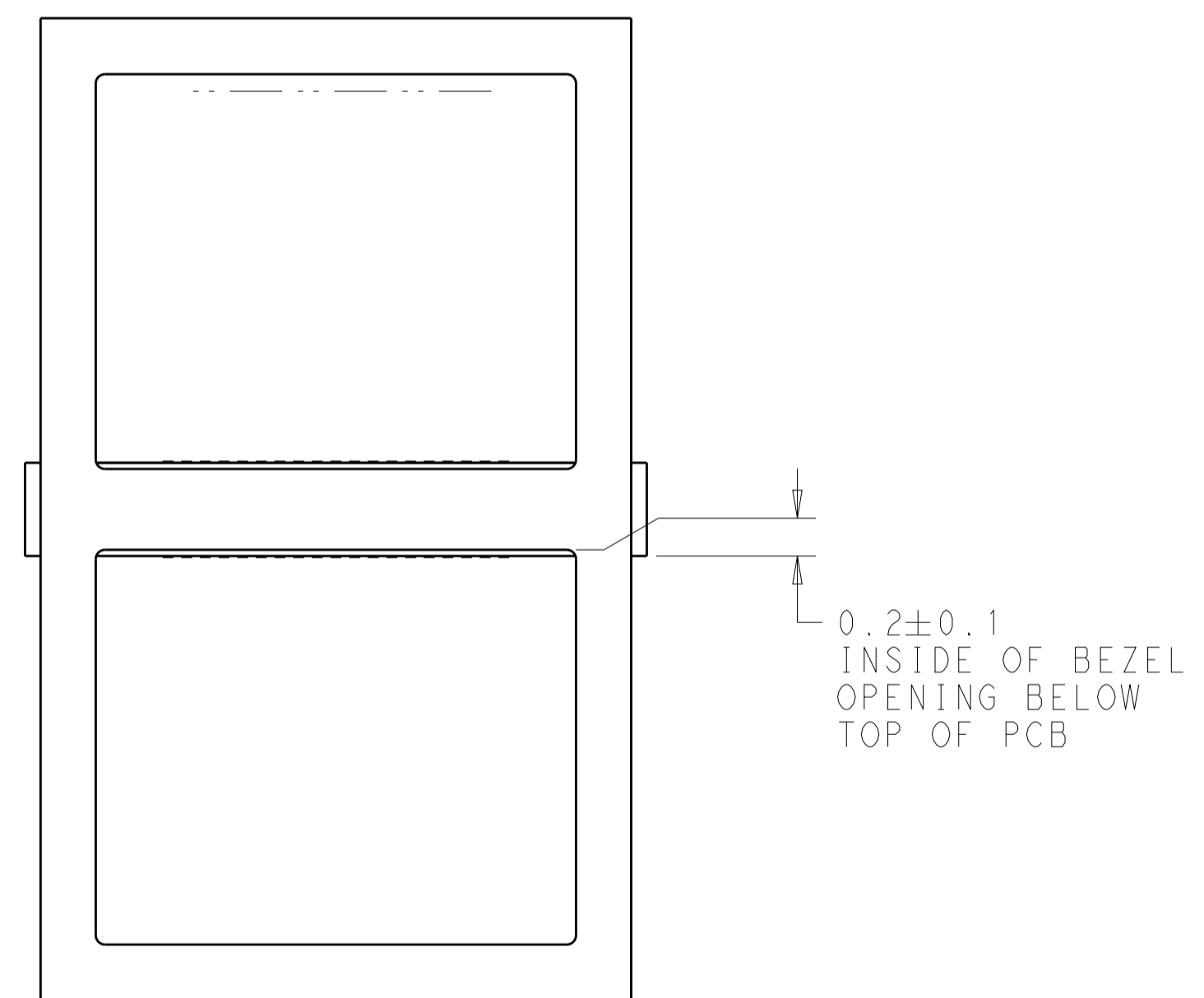
THIS PRINT IS
PRELIMINARY
 UNQUALIFIED PRODUCT
 CONTACT PRODUCT ENGINEERING
 BEFORE USING THIS PRINT

THIS DRAWING IS A CONTROLLED DOCUMENT.		OWN C. VALENTINE 19 JAN 2016	TE Connectivity	
DIMENSIONS: mm		CHK E. BRIANT 19 JAN 2016	NAME CAGE ASSEMBLY, SINGLE PORT, microQSFP	
TOLERANCES UNLESS OTHERWISE SPECIFIED:		APVD E. BRIANT 19 JAN 2016	PRODUCT SPEC 108-32129	
0 PLC ±		APPLICATION SPEC		
1 PLC ±		114-32151		
2 PLC ±		WEIGHT		
3 PLC ±		Customer Drawing		
4 PLC ±		SCALE 5:1		
ANGLES ±		SHEET 2 OF 6		
FINISH #1		REV 7		

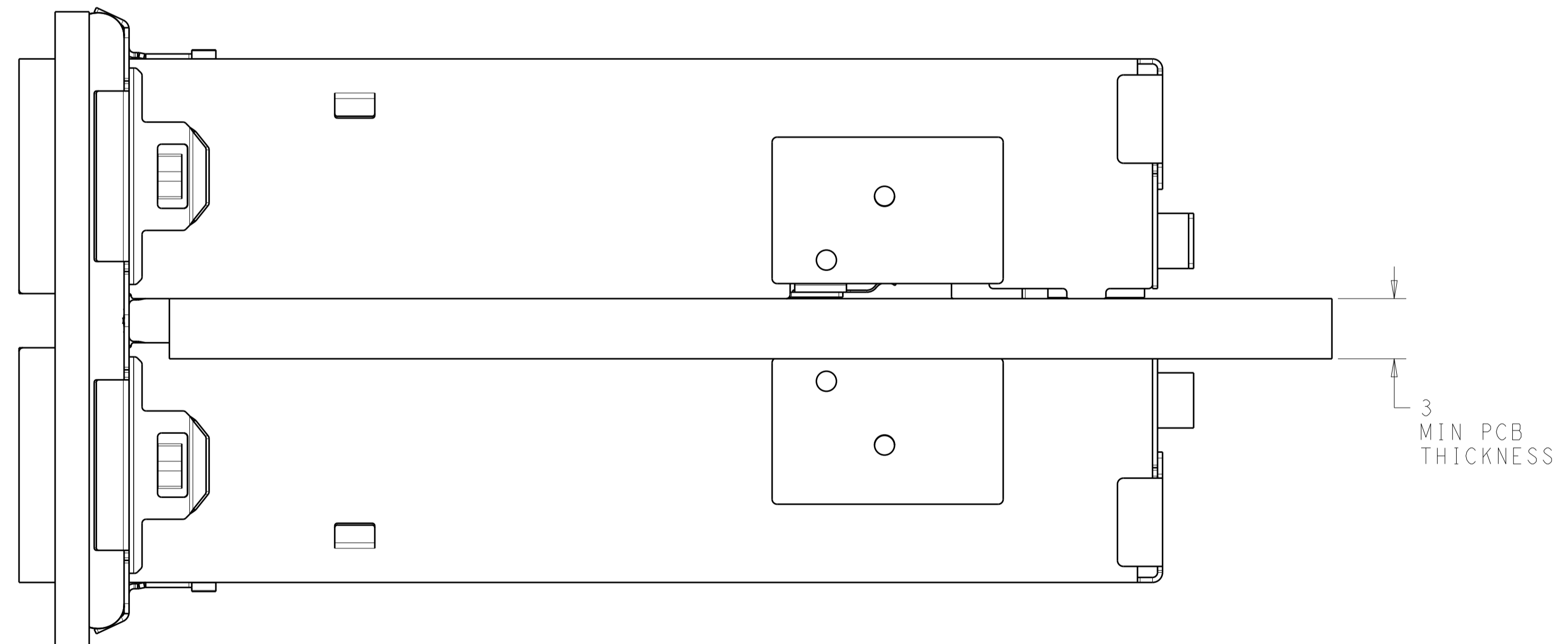
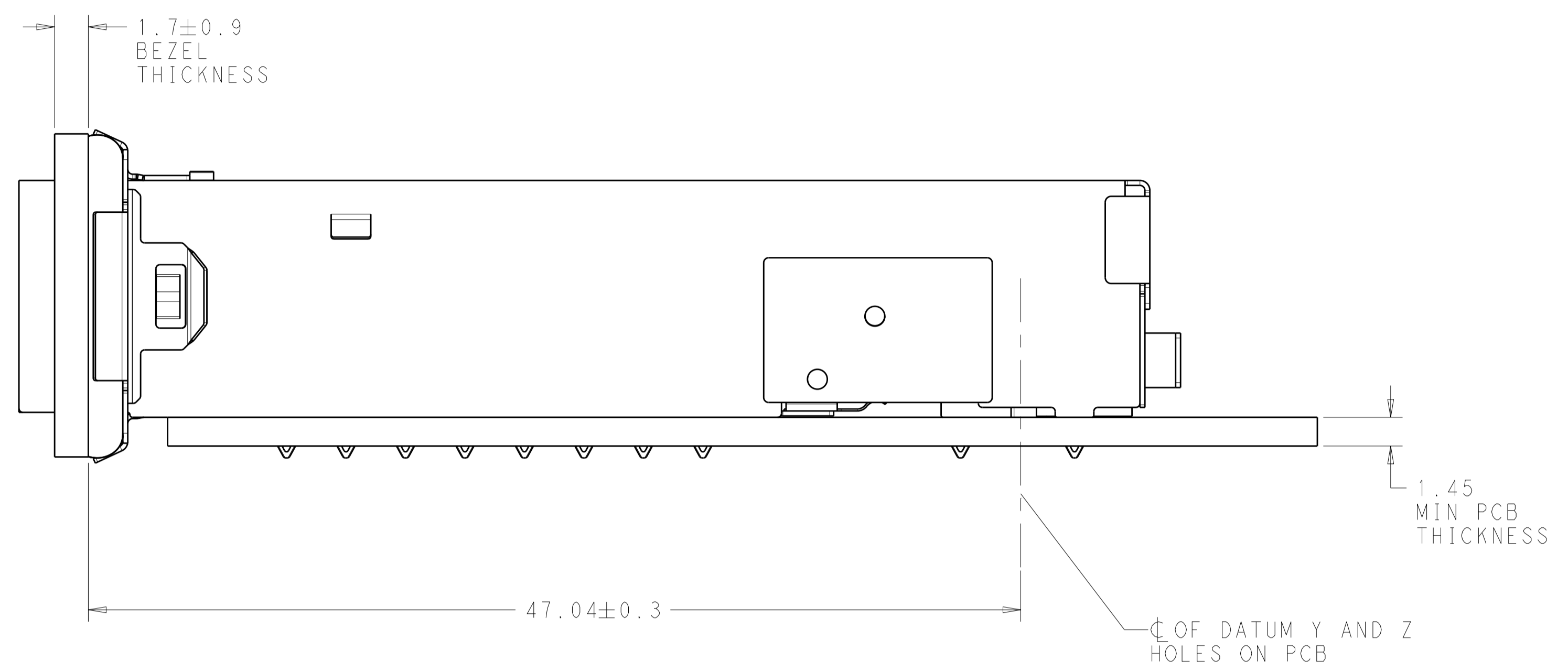
REVISIONS				
P.	LTN.	DESCRIPTION	DATE	APVD.
-	-	SEE SHEET 1	-	-



2297551-2
 SINGLE SIDED
 PCB AND BEZEL LAYOUT



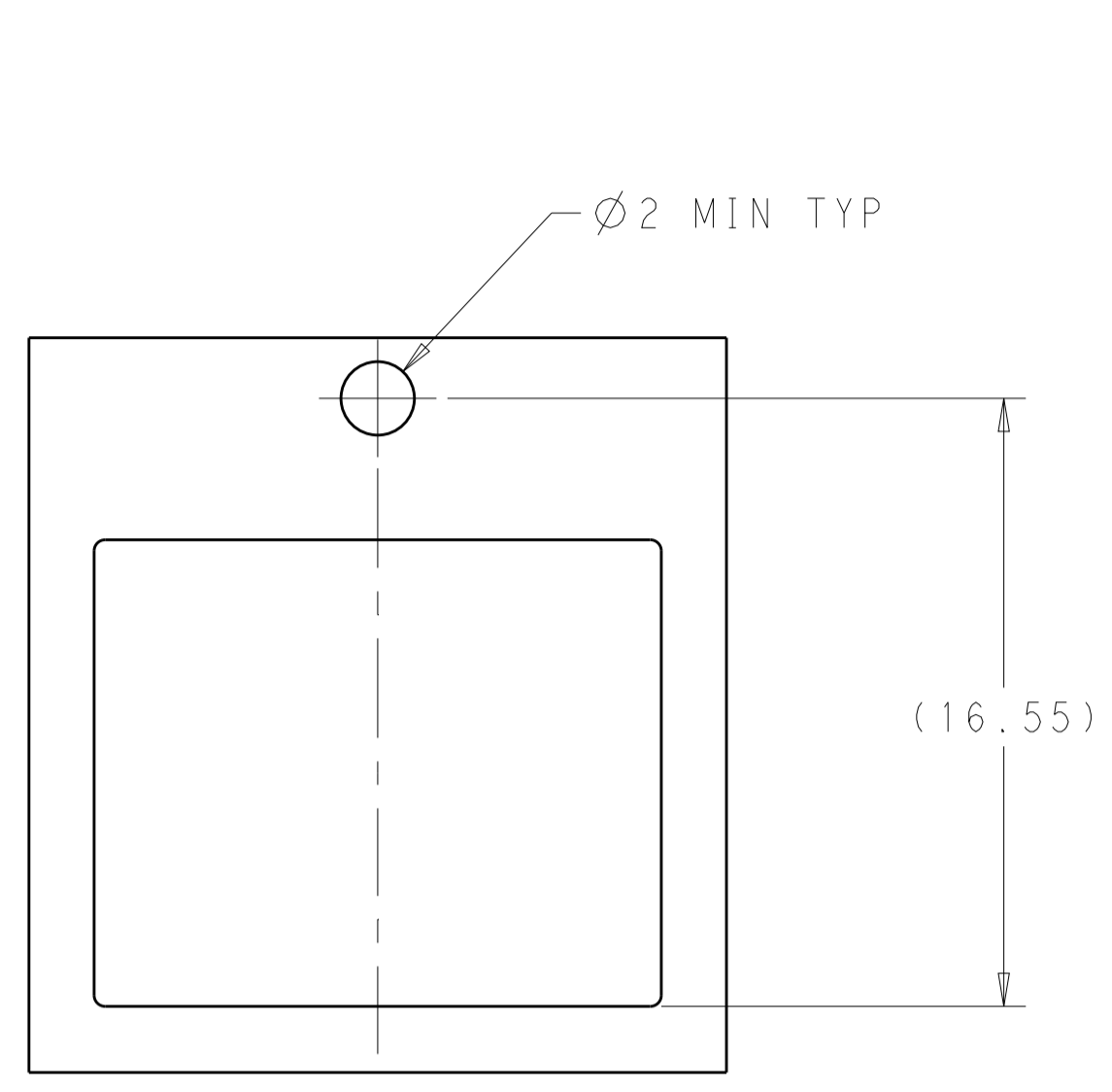
2297551-2
 BELLY TO BELLY
 SAME AS SINGLE SIDED
 EXCEPT WHERE NOTED
 PCB AND BEZEL LAYOUT



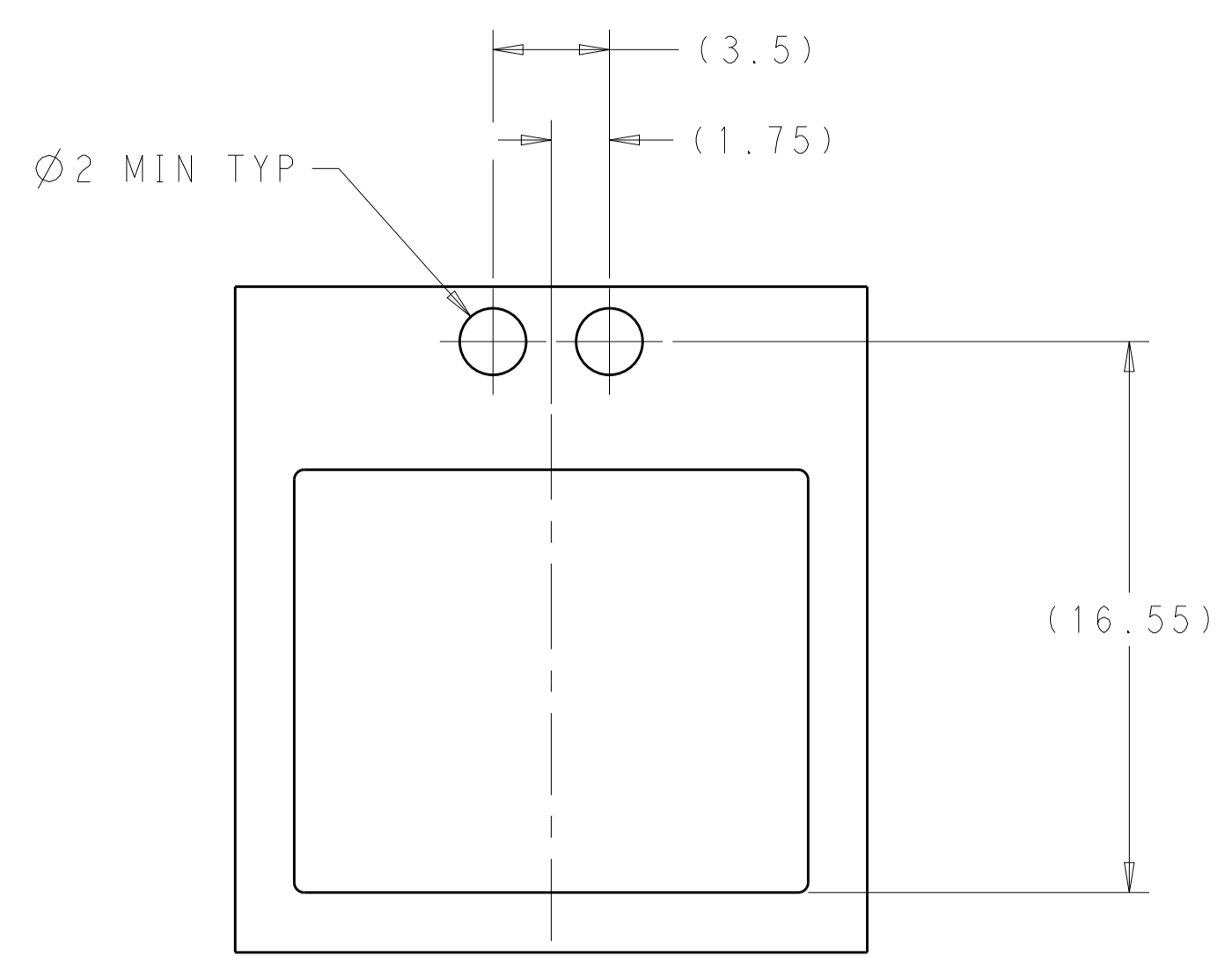
THIS PRINT IS
PRELIMINARY
 UNQUALIFIED PRODUCT
 CONTACT PRODUCT ENGINEERING
 BEFORE USING THIS PRINT

THIS DRAWING IS A CONTROLLED DOCUMENT.		OWN C. VALENTINE 19 JAN 2016	TE Connectivity
DIMENSIONS:		CHK E. BRIANT 19 JAN 2016	
mm	TOLERANCES UNLESS OTHERWISE SPECIFIED:	APVD E. BRIANT 19 JAN 2016	NAME CAGE ASSEMBLY, SINGLE PORT, microQSFP
0 PLC ±	1 PLC ±	PRODUCT SPEC	SIZE A1
2 PLC ±	3 PLC ±	108-32129	CAGE CODE -
4 PLC ±	ANGLES ±	APPLICATION SPEC	DRAWING NO C=2297551
MATERIAL	FINISH	114-32151	RESTRICTED TO
-	-	WEIGHT	SCALE 5:1
-	-	Customer Drawing	SHEET 3 OF 6
			REV 7

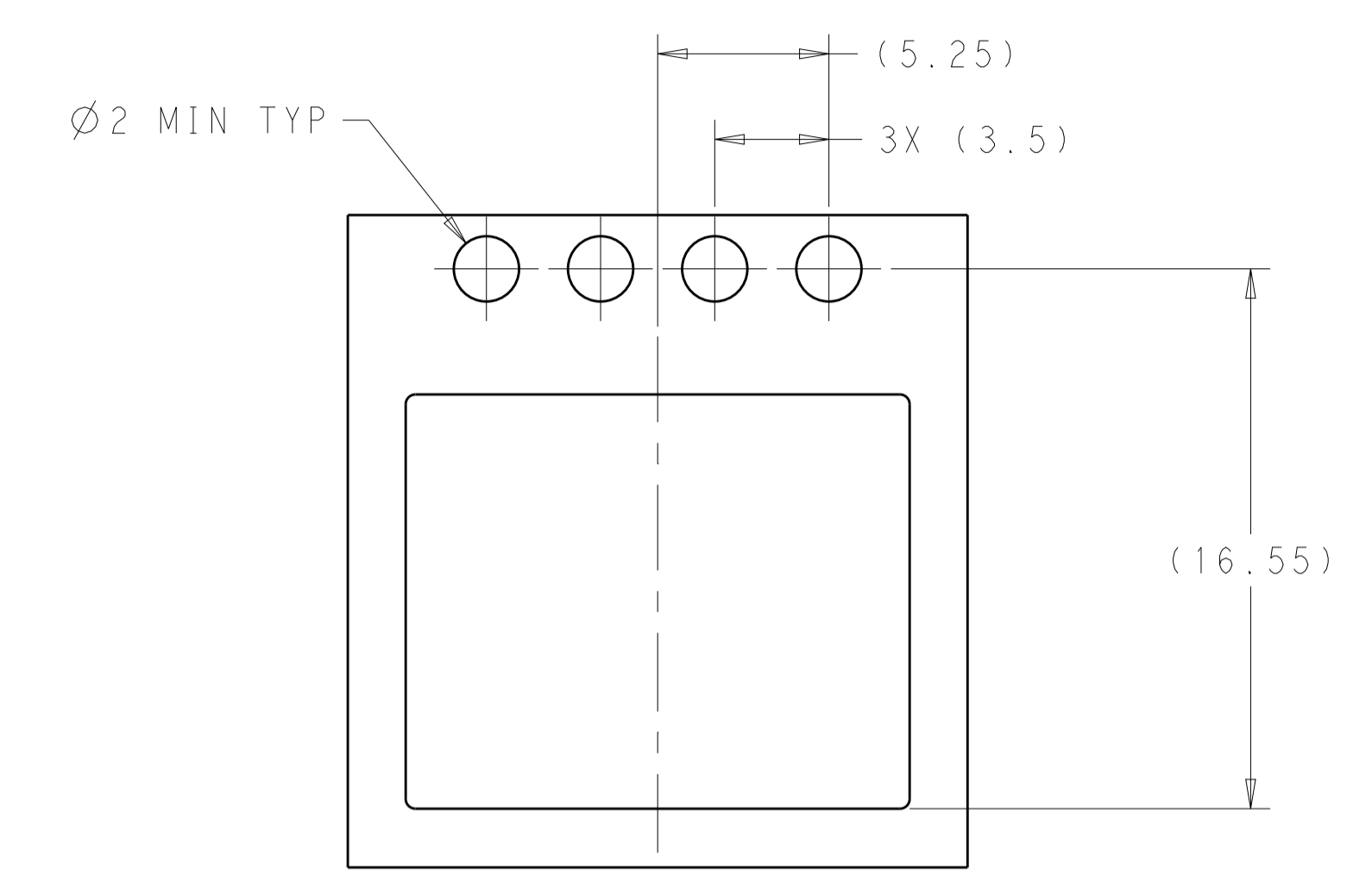
REVISIONS				
P.	LTN	DESCRIPTION	DATE	APVD
-	-	SEE SHEET 1	-	-



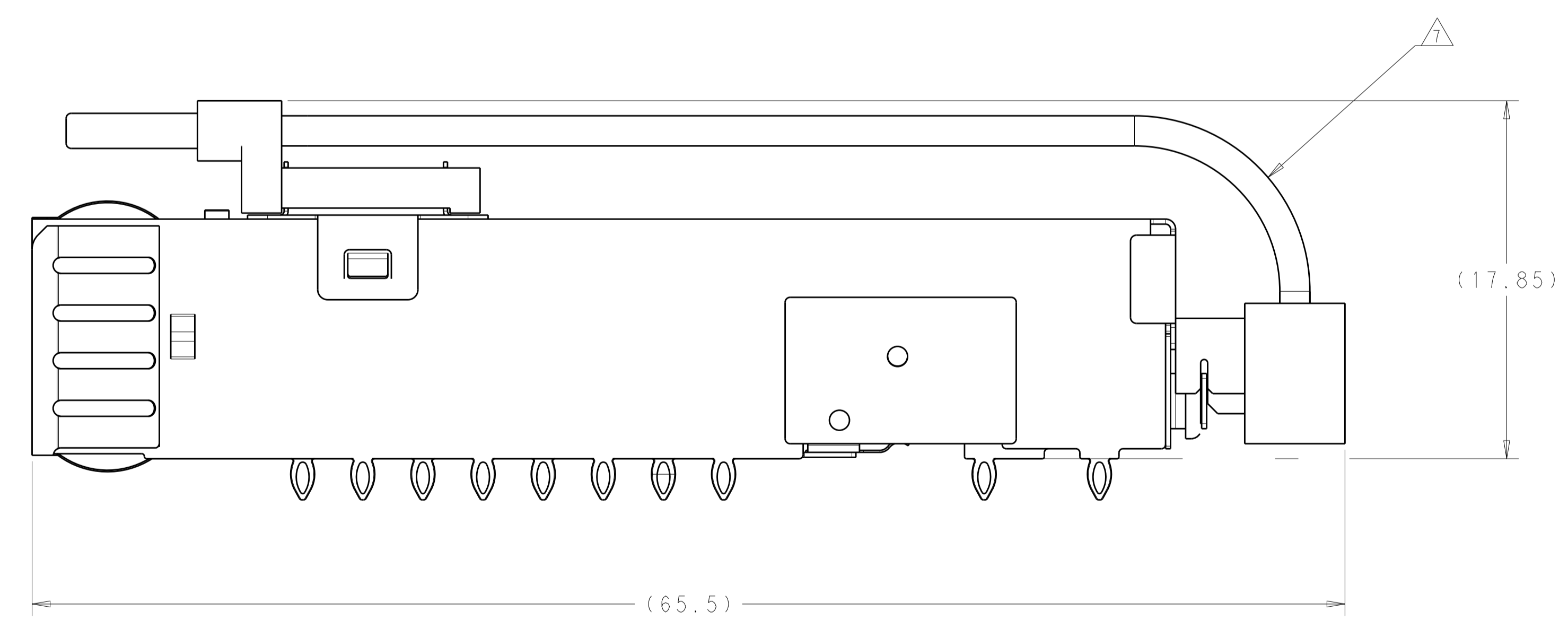
BEZEL LAYOUT FOR SINGLE LIGHT PIPE
SINGLE SIDED



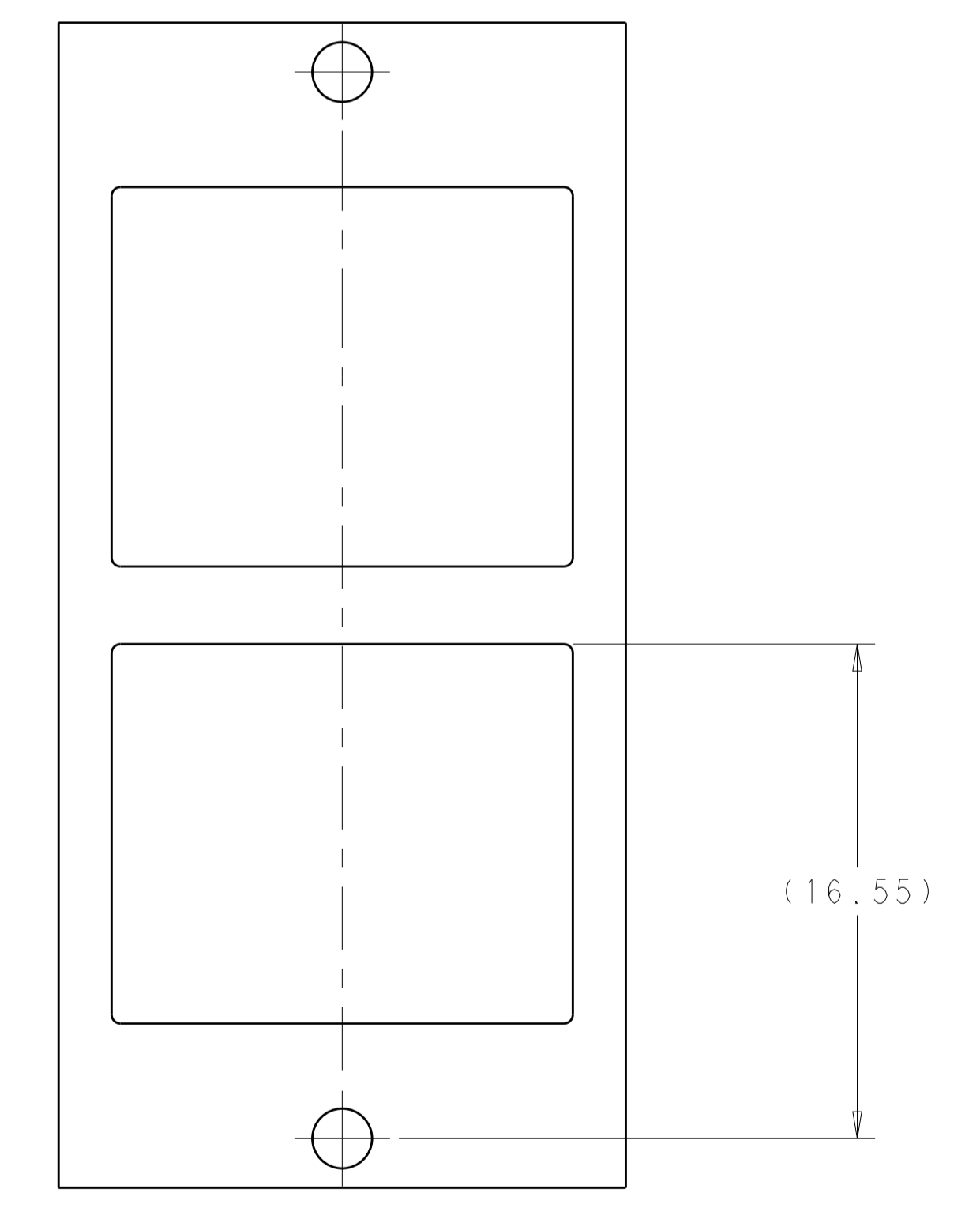
BEZEL LAYOUT FOR DOUBLE LIGHT PIPE
SINGLE SIDED



BEZEL LAYOUT FOR QUAD LIGHT PIPE
SINGLE SIDED



4-2297551-1

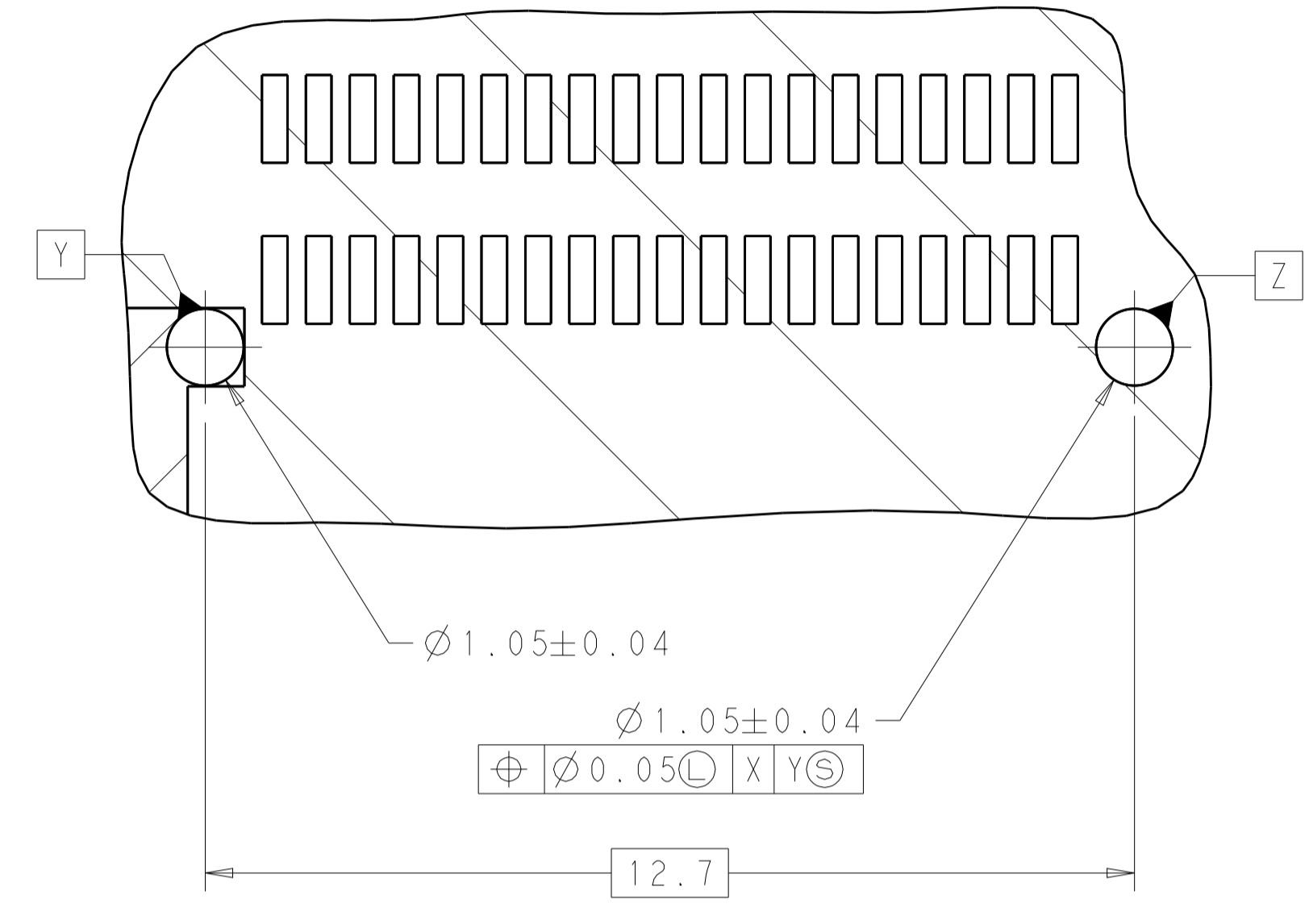
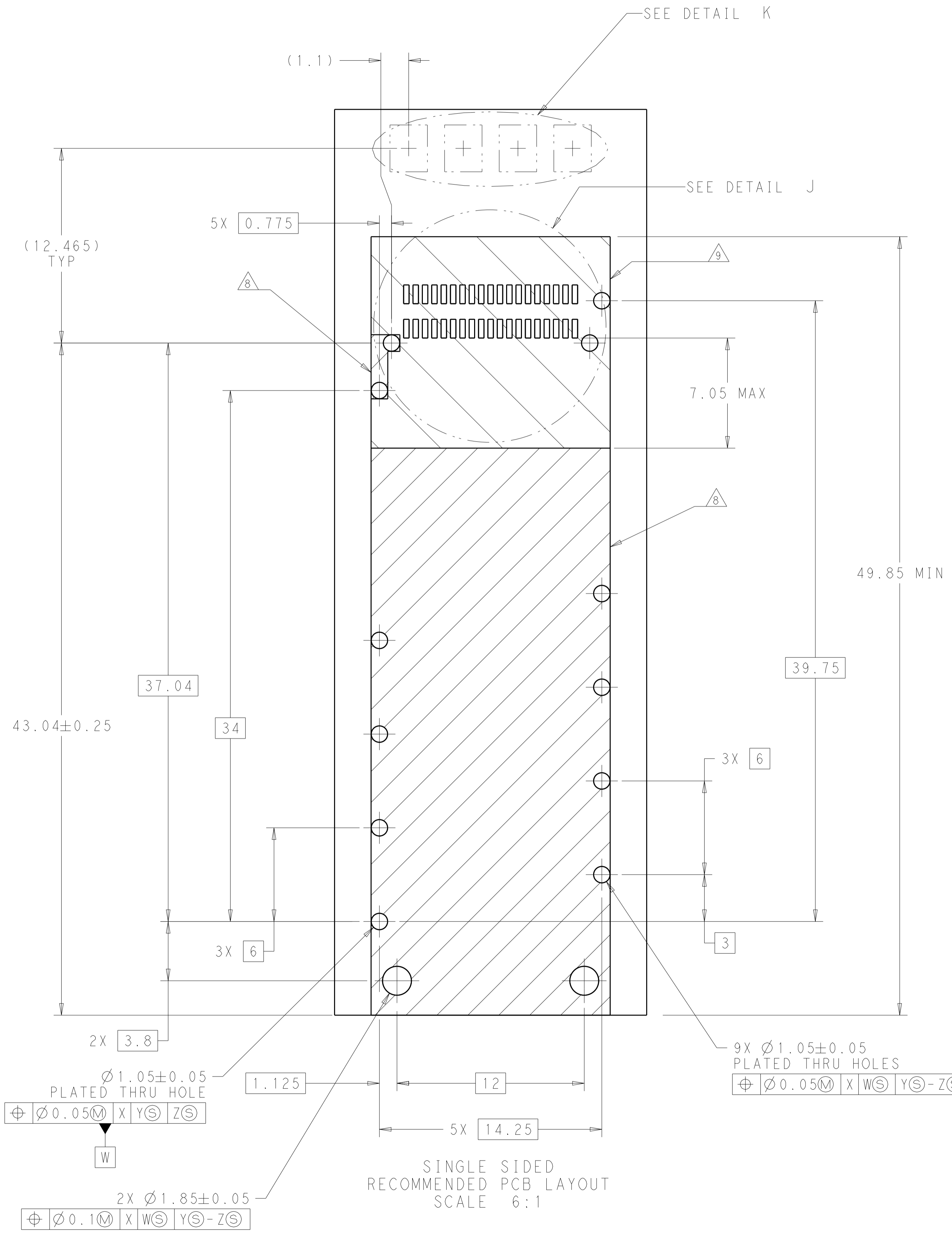


BEZEL LAYOUT FOR LIGHT PIPES
BELLY TO BELLY
SIMILAR TO SINGLE SIDED
EXCEPT WHERE NOTED
SINGLE SIDED

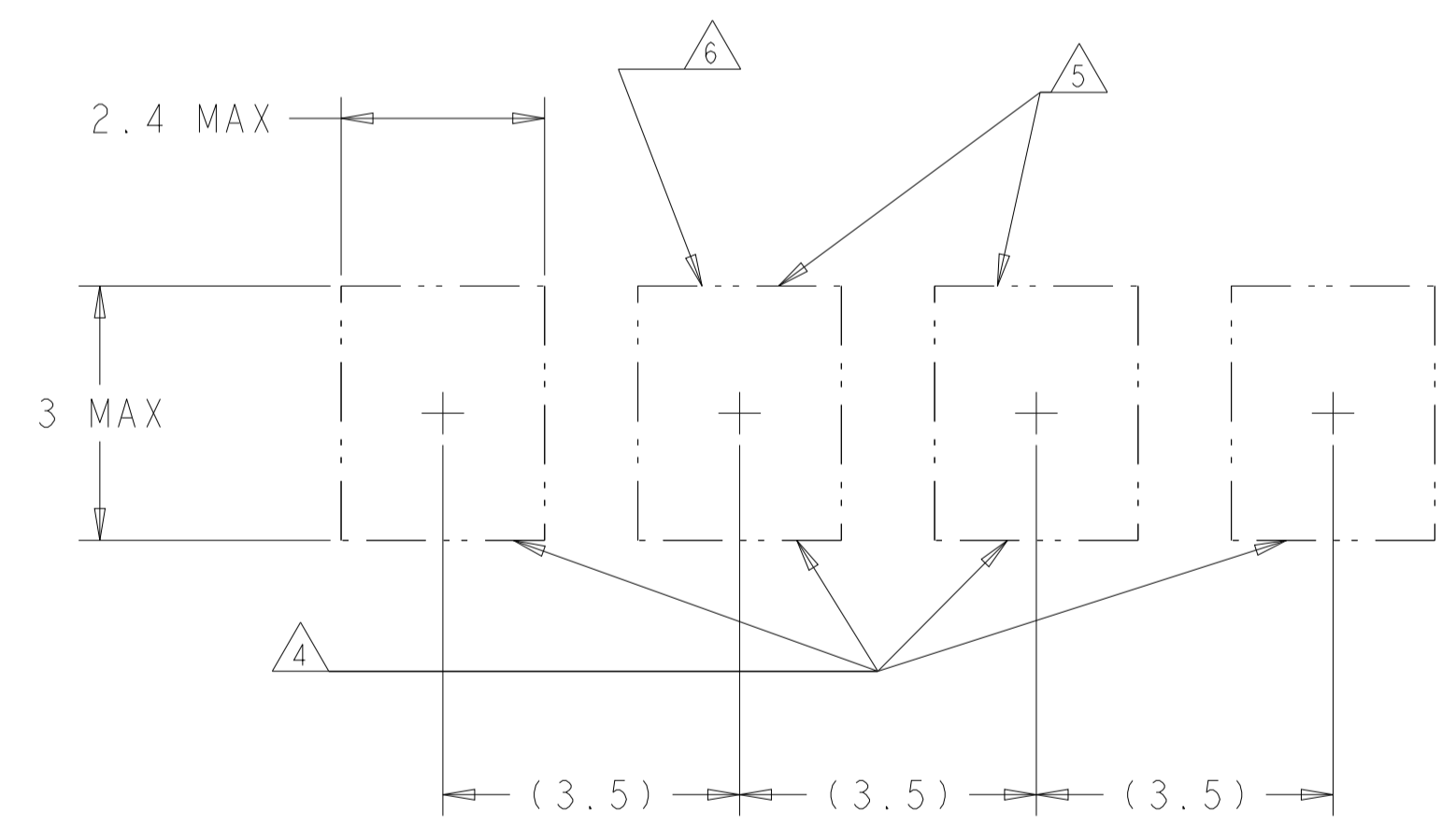
THIS PRINT IS
PRELIMINARY
UNQUALIFIED PRODUCT
CONTACT PRODUCT ENGINEERING
BEFORE USING THIS PRINT

THIS DRAWING IS A CONTROLLED DOCUMENT.		OWN C. VALENTINE 19 JAN 2016	TE Connectivity
DIMENSIONS: mm		CHK E. BRIANT 19 JAN 2016	
TOLERANCES UNLESS OTHERWISE SPECIFIED:		APVD E. BRIANT 19 JAN 2016	NAME CAGE ASSEMBLY, SINGLE PORT, microSFP
0 PLC	±	PRODUCT SPEC	SIZE A1
2 PLC	±	108-32129	CAGE CODE -
3 PLC	±	APPLICATION SPEC	DRAWING NO C=2297551
4 PLC	±	114-32151	RESTRICTED TO -
ANGLES	±1	WEIGHT	SCALE 5:1
MATERIAL	-	Customer Drawing	SHEET 4 OF 6
FINISH	-		REV 7

REVISIONS				
P.	LTN.	DESCRIPTION	DATE	APVD.
-	-	SEE SHEET 1	-	-



DETAIL J
 SCALE 12:1

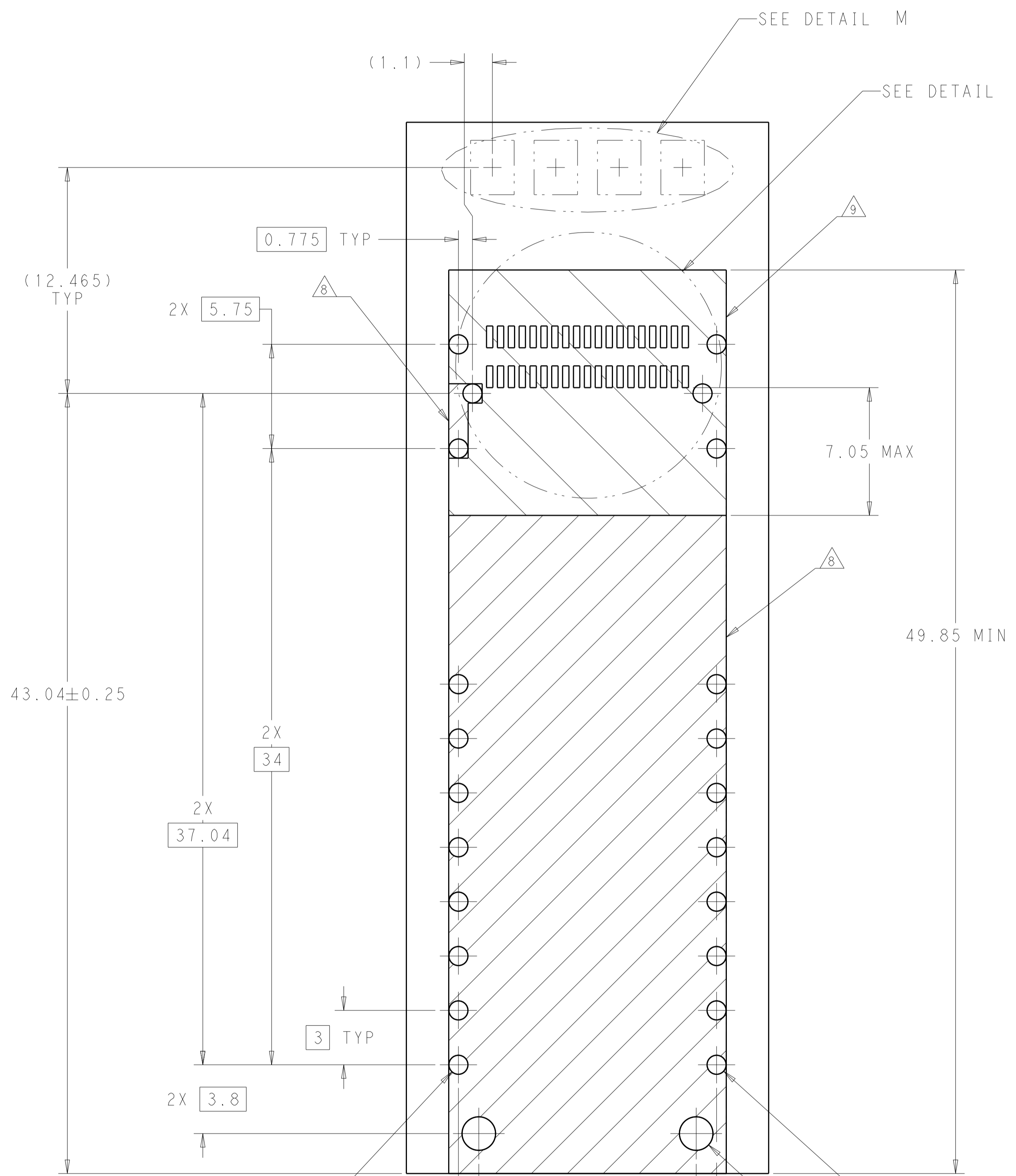


DETAIL K
 SCALE 12:1

THIS PRINT IS
PRELIMINARY
 UNQUALIFIED PRODUCT
 CONTACT PRODUCT ENGINEERING
 BEFORE USING THIS PRINT

THIS DRAWING IS A CONTROLLED DOCUMENT.		DWN: C. VALENTINE 19JAN2016 CHK: E. BRIANT 19JAN2016 APVD: E. BRIANT 19JAN2016	TE Connectivity
DIMENSIONS: mm TOLERANCES UNLESS OTHERWISE SPECIFIED: 0 PLC ± 1 PLC ± 2 PLC ± 3 PLC ± 4 PLC ± ANGLES ±1	NAME: CAGE ASSEMBLY, SINGLE PORT, microQSFP PRODUCT SPEC: 108-32129 APPLICATION SPEC: 114-32151 WEIGHT: - Customer Drawing	SIZE: A1 CAGE CODE: - DRAWING NO: C=2297551 SCALE: 5:1	

REVISIONS				
P.	LTN.	DESCRIPTION	DATE	APVD.
-	-	SEE SHEET 1	-	-

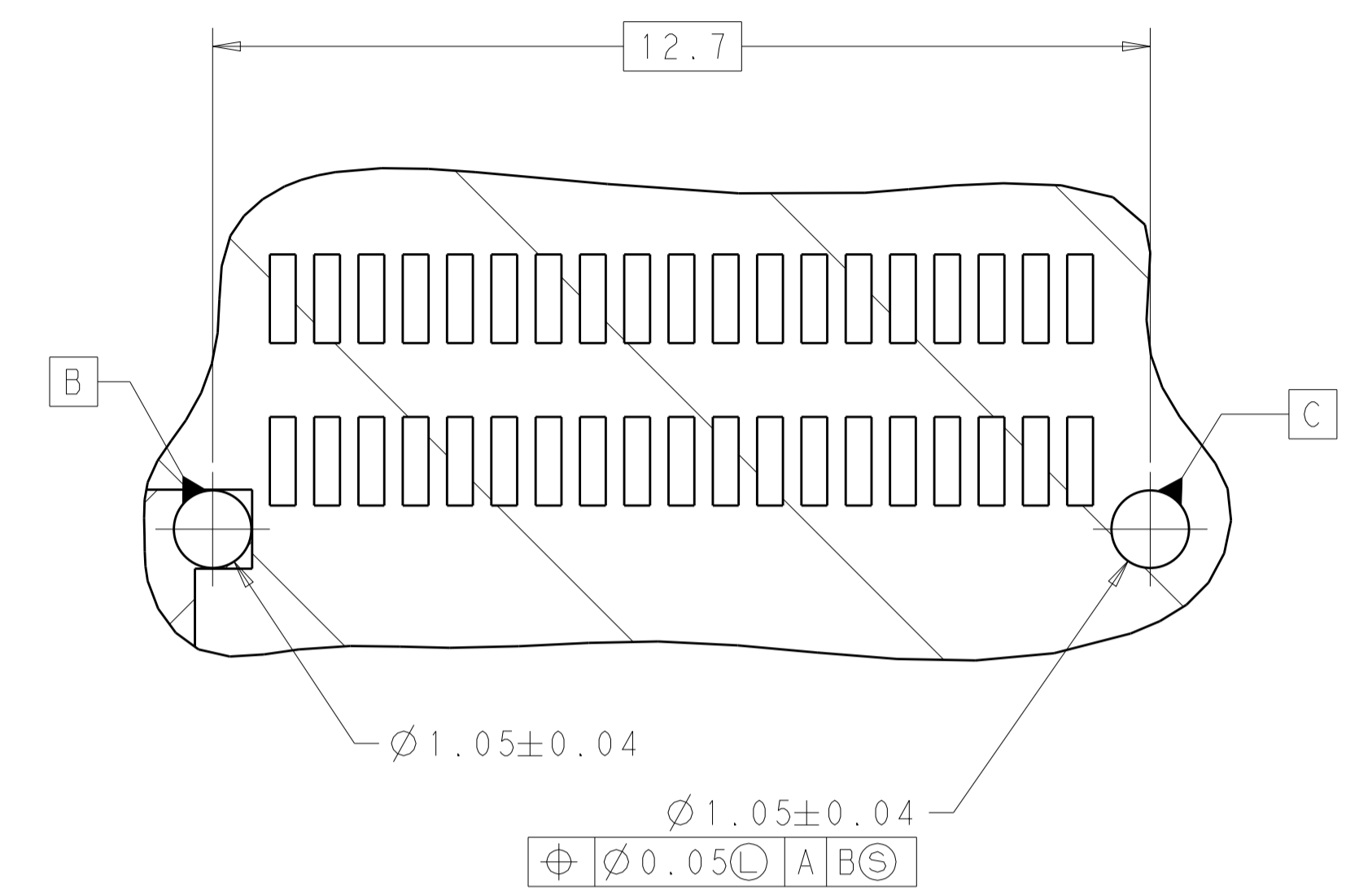


Ø1.05±0.05
PLATED THRU HOLE
⊕ Ø0.05Ⓜ | A | EⓈ | BⓈ - CⓈ

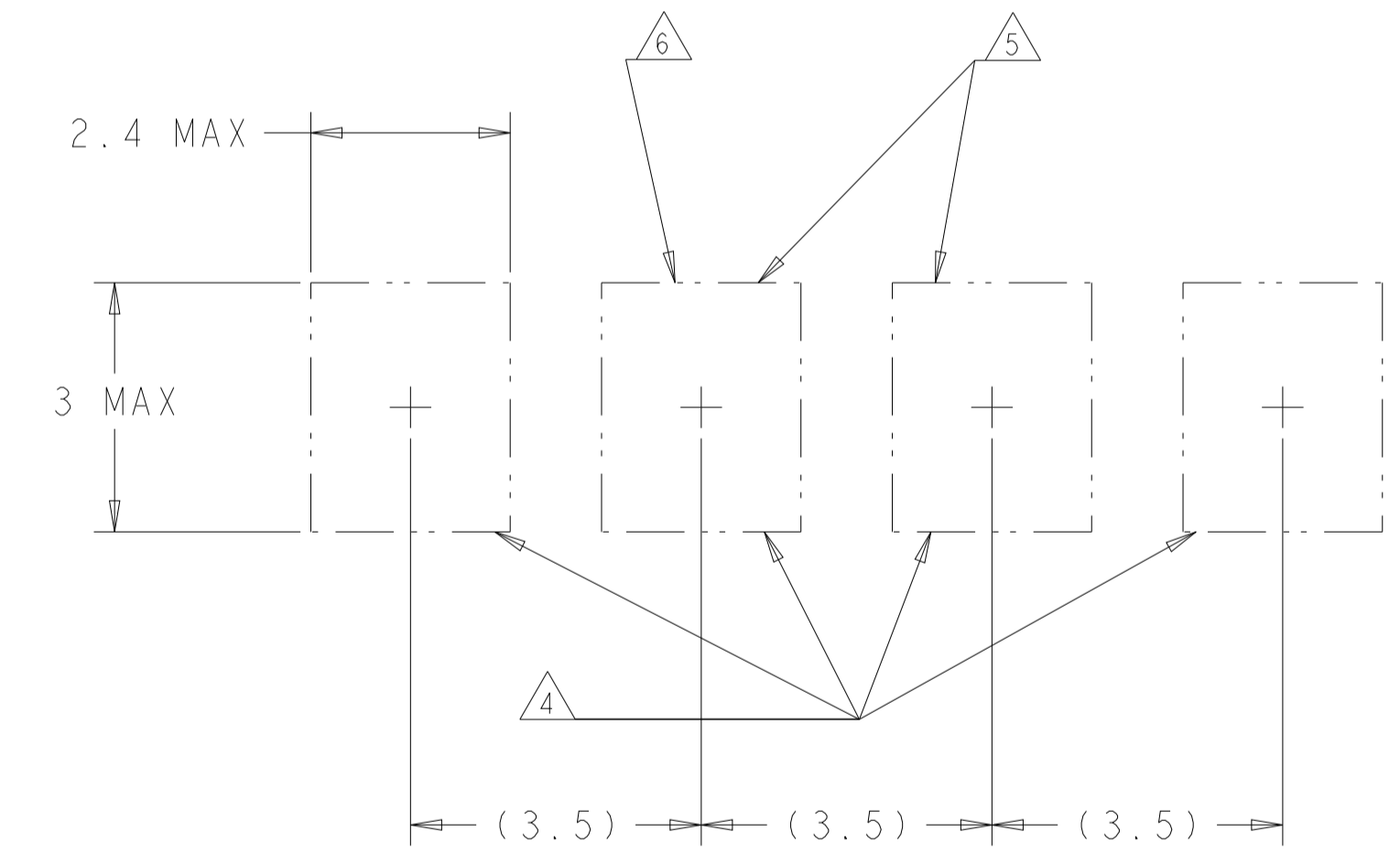
19X Ø1.05±0.05
PLATED THRU HOLES
⊕ Ø0.05Ⓜ | A | EⓈ | BⓈ - CⓈ

2X Ø1.85±0.05
⊕ Ø0.1Ⓜ | A | EⓈ | BⓈ - CⓈ

BELLY TO BELLY
RECOMMENDED PCB LAYOUT
SCALE 6:1



DETAIL L
SCALE 12:1



DETAIL M
SCALE 12:1

THIS PRINT IS
PRELIMINARY
UNQUALIFIED PRODUCT
CONTACT PRODUCT ENGINEERING
BEFORE USING THIS PRINT

THIS DRAWING IS A CONTROLLED DOCUMENT.		OWN C. VALENTINE 19JAN2016	TE Connectivity
DIMENSIONS: mm		CHK E. BRIANT 19JAN2016	
TOLERANCES UNLESS OTHERWISE SPECIFIED:		APVD E. BRIANT 19JAN2016	NAME CAGE ASSEMBLY, SINGLE PORT, microQSFP
0 PLC ±	1 PLC ±	PRODUCT SPEC 108-32129	SIZE A1
2 PLC ±	3 PLC ±	APPLICATION SPEC 114-32151	CAGE CODE C=2297551
4 PLC ±	ANGLES ±	WEIGHT	RESTRICTED TO
MATERIAL	FINISH	Customer Drawing	SCALE 5:1 SHEET 6 OF 6 REV 7