



Chipsmall Limited consists of a professional team with an average of over 10 year of expertise in the distribution of electronic components. Based in Hongkong, we have already established firm and mutual-benefit business relationships with customers from,Europe,America and south Asia,supplying obsolete and hard-to-find components to meet their specific needs.

With the principle of “Quality Parts,Customers Priority,Honest Operation,and Considerate Service”,our business mainly focus on the distribution of electronic components. Line cards we deal with include Microchip,ALPS,ROHM,Xilinx,Pulse,ON,Everlight and Freescale. Main products comprise IC,Modules,Potentiometer,IC Socket,Relay,Connector.Our parts cover such applications as commercial,industrial, and automotives areas.

We are looking forward to setting up business relationship with you and hope to provide you with the best service and solution. Let us make a better world for our industry!



Contact us

Tel: +86-755-8981 8866 Fax: +86-755-8427 6832

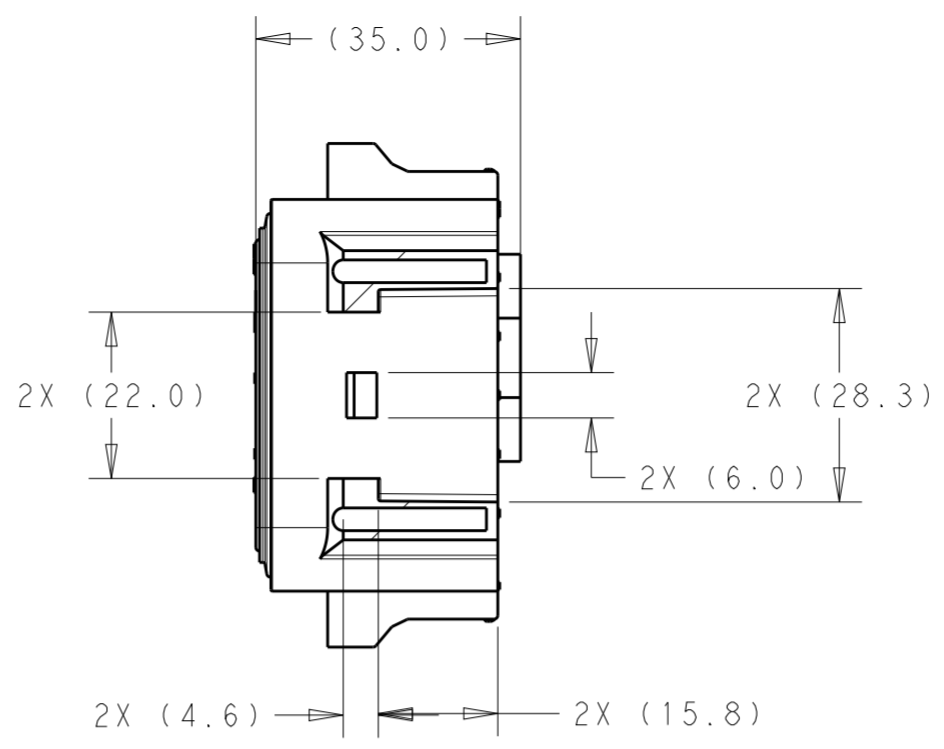
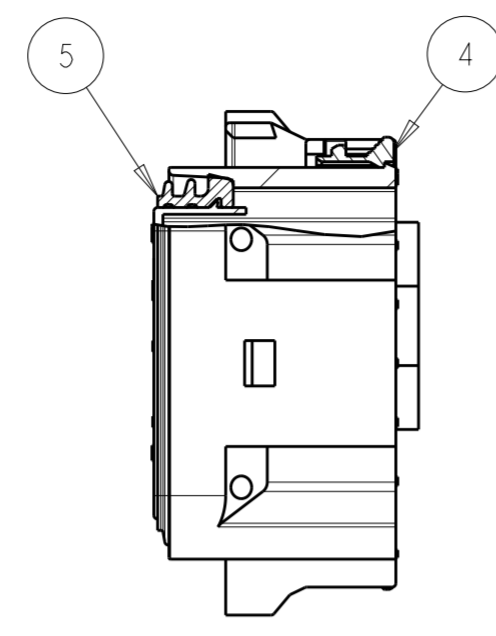
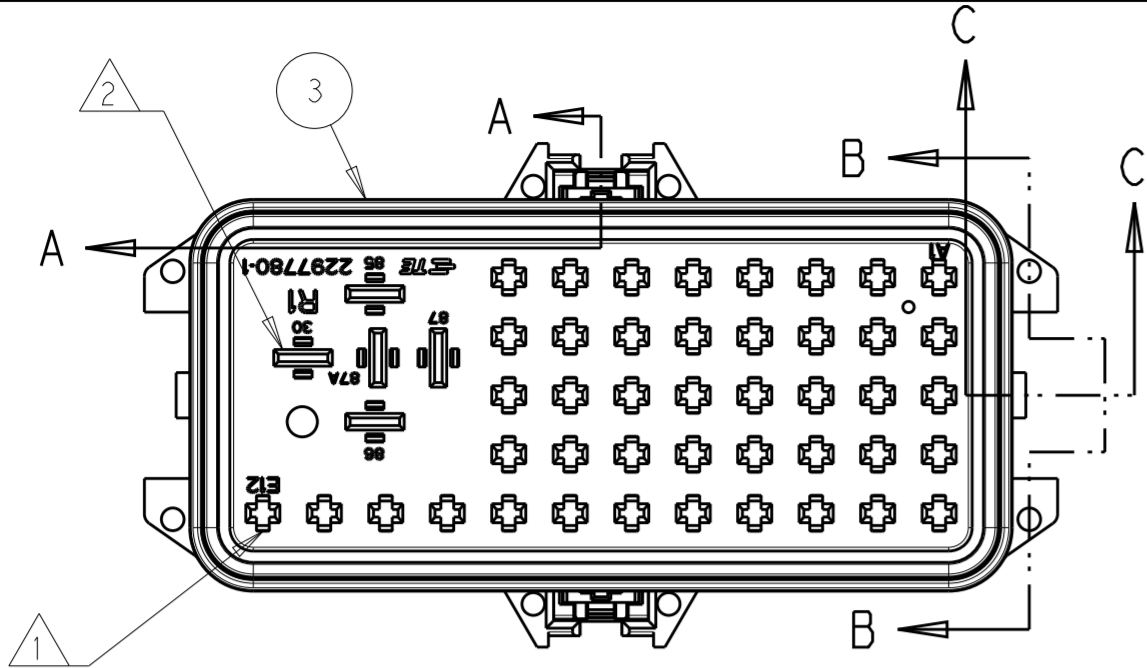
Email & Skype: info@chipsmall.com Web: www.chipsmall.com

Address: A1208, Overseas Decoration Building, #122 Zhenhua RD., Futian, Shenzhen, China

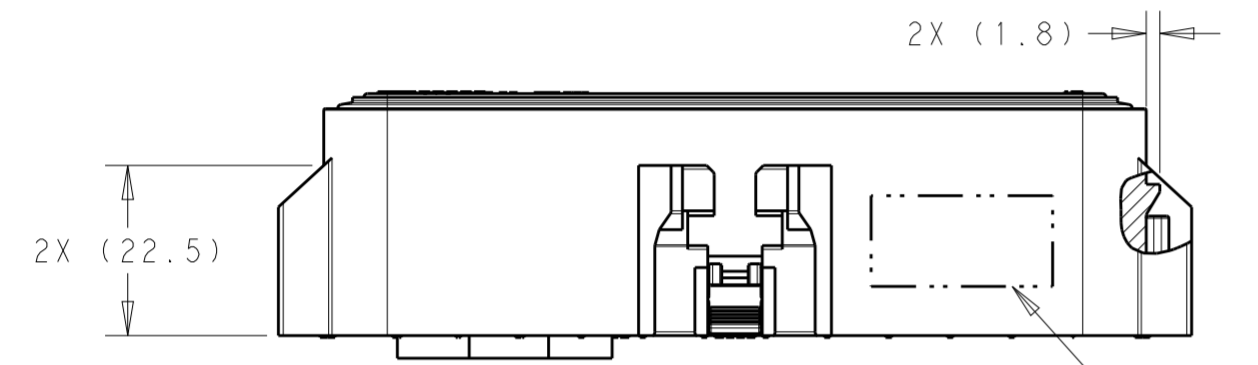


THIS DRAWING IS UNPUBLISHED. RELEASED FOR PUBLICATION 20
 © COPYRIGHT 20 BY - ALL RIGHTS RESERVED.

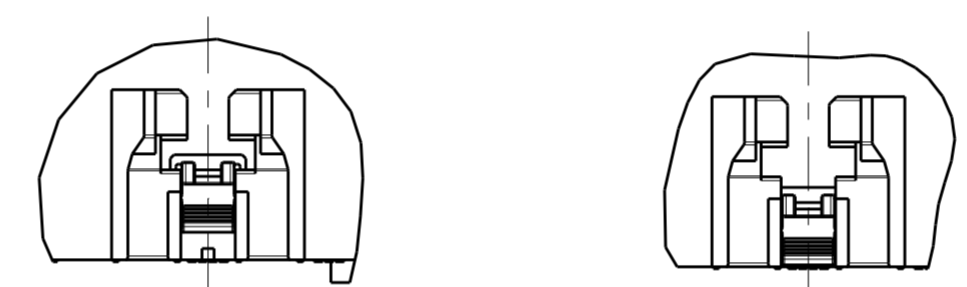
REVISIONS				
P	LTR	DESCRIPTION	DATE	APVD
A		RELEASED PER ECO-16-006699	04MAY2016	DLD DCS
A1		ECO-17-015014	12OCT2017	DS DS
B		REV PER ECO-18-005085	05APR2018	JM DS



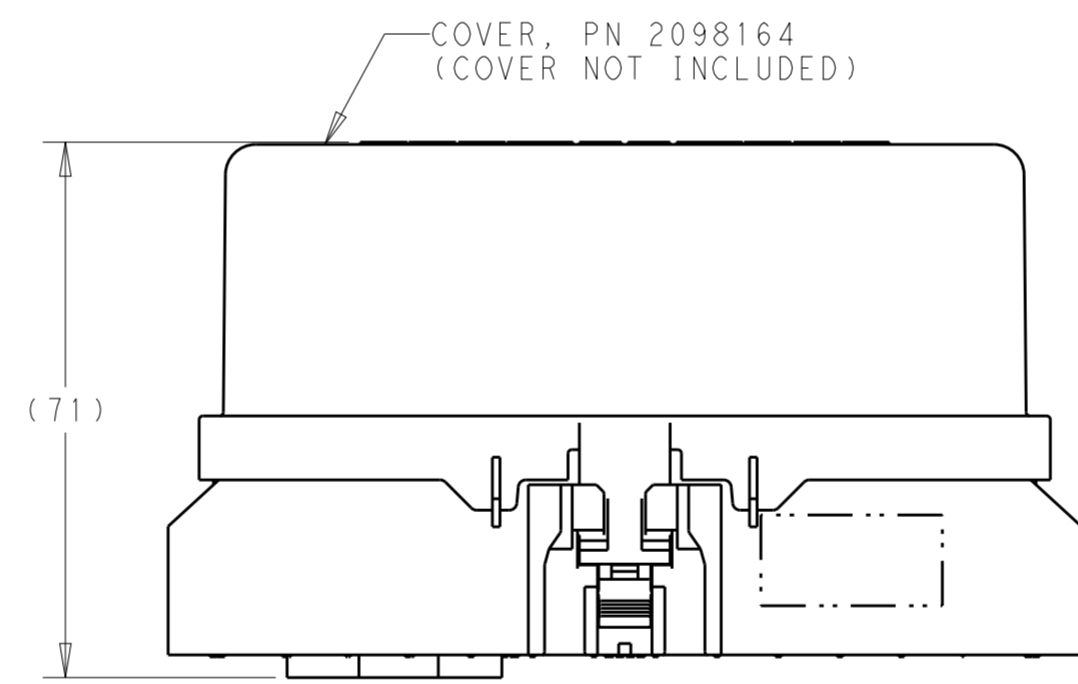
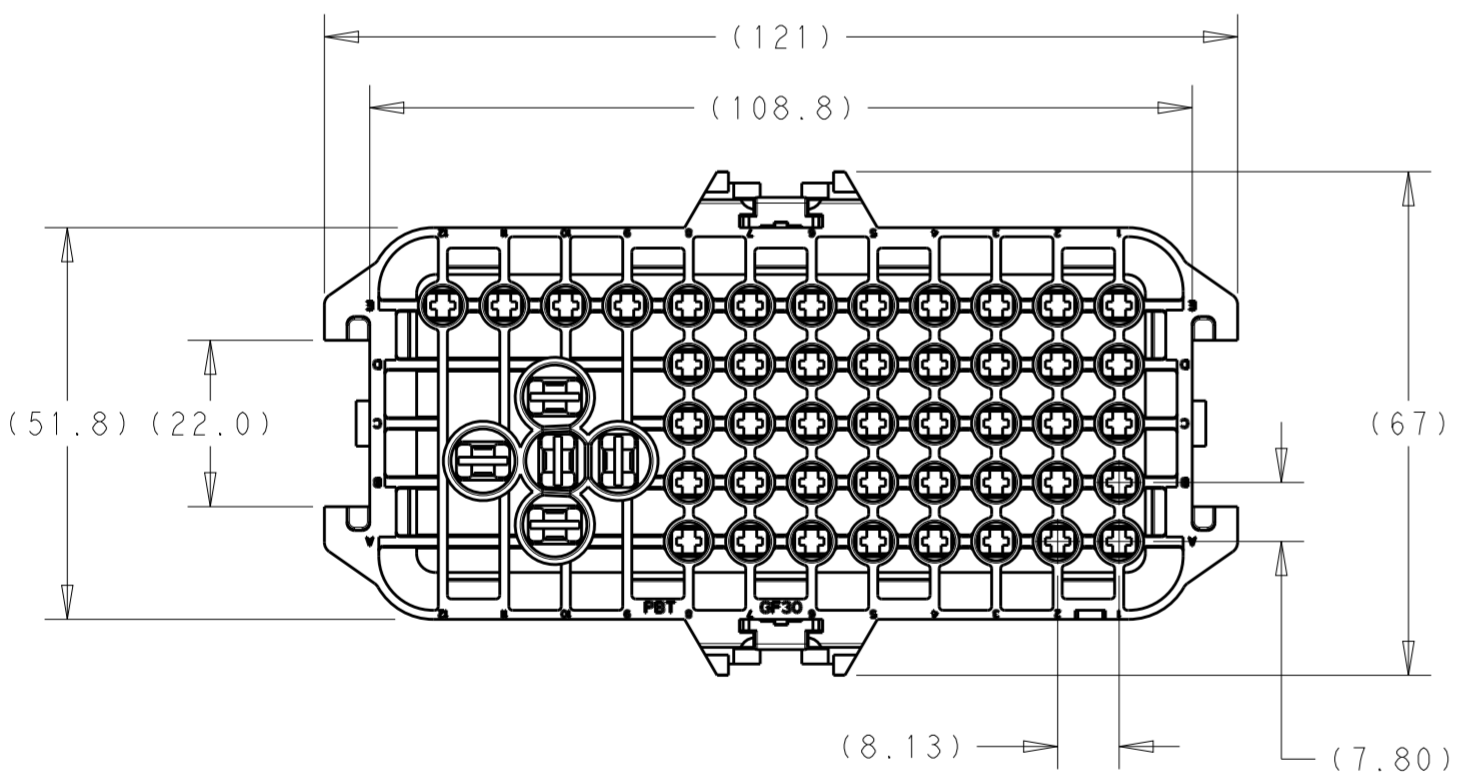
- 1 SEE TE CONNECTIVITY CUSTOMER DRAWING 1355036 FOR TERMINAL SELECTION. MAX WIRE SIZE 14 AWG FOR SEALED WIRE APPLICATION.
- 2 SEE TE CONNECTIVITY CUSTOMER DRAWING 1241438 FOR TERMINAL SELECTION. MAX WIRE SIZE 10 AWG FOR SEALED WIRE APPLICATIONS.
- 3 PART NUMBER AND DATE CODE, DDDYY, IN THIS AREA.



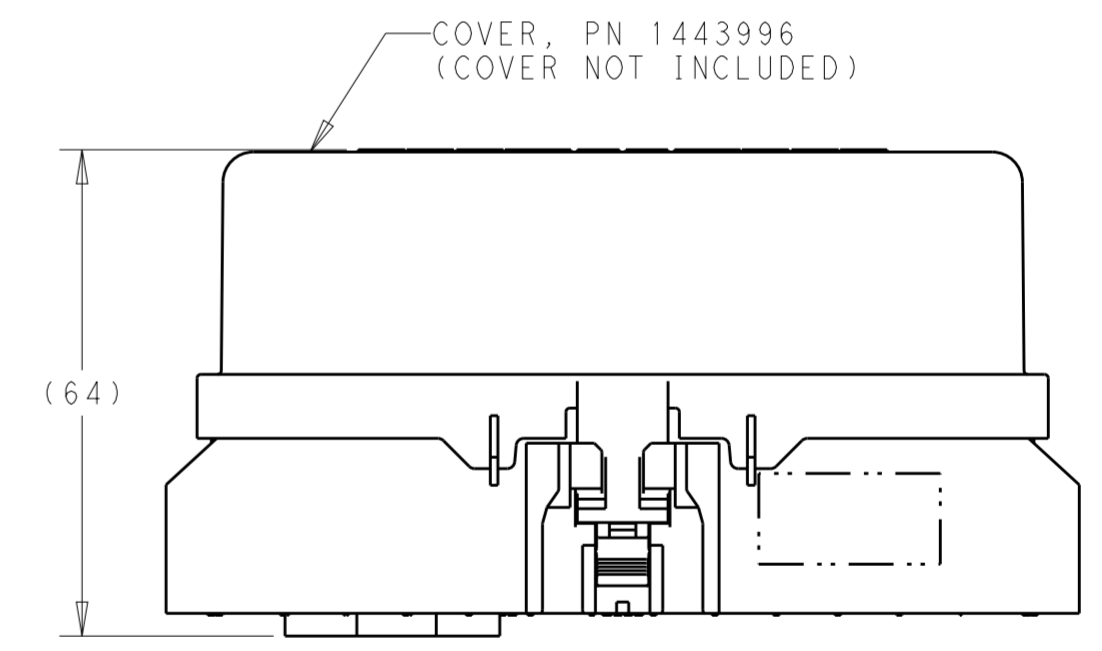
SECTION C-C



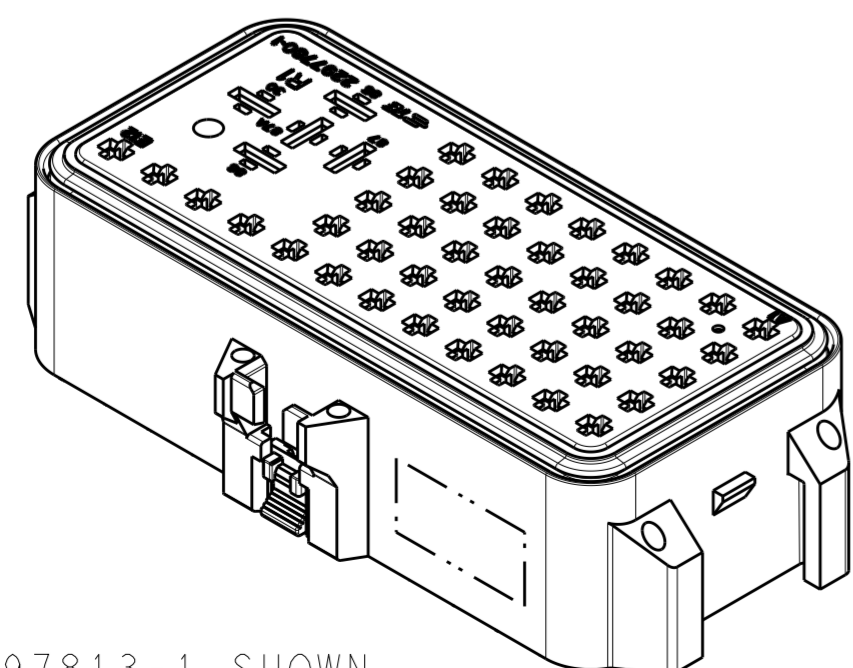
CPA CLOSED POSITION CPA OPEN POSITION (AS SHIPPED)



VIEW FOR REFERENCE ONLY



VIEW FOR REFERENCE ONLY



2297813-1 SHOWN

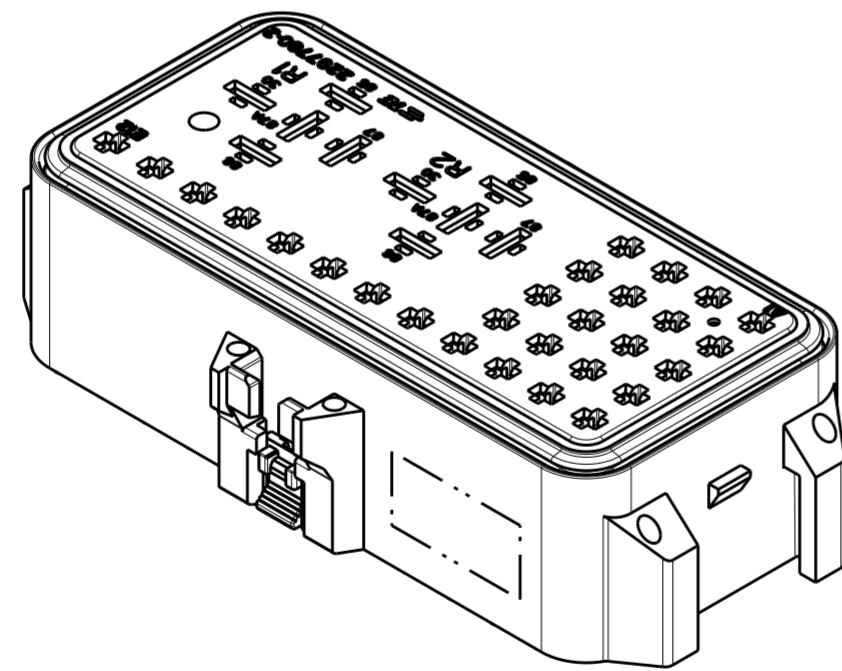
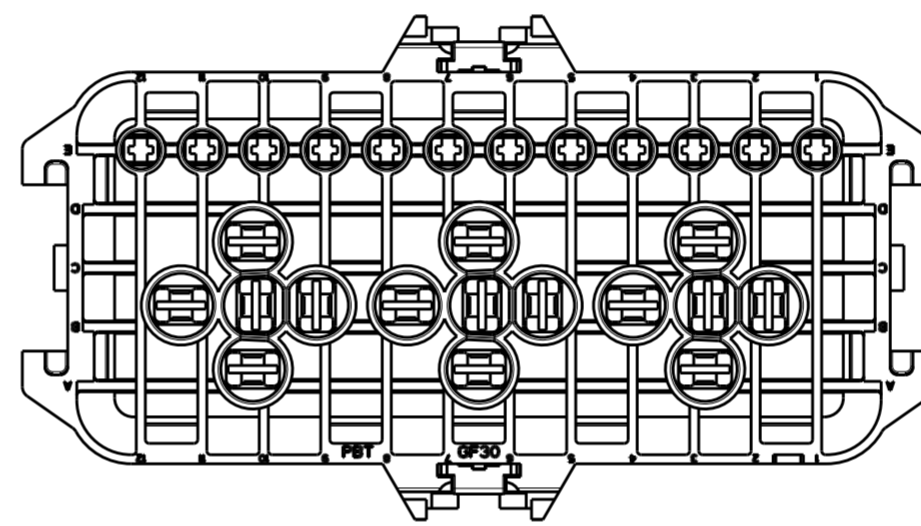
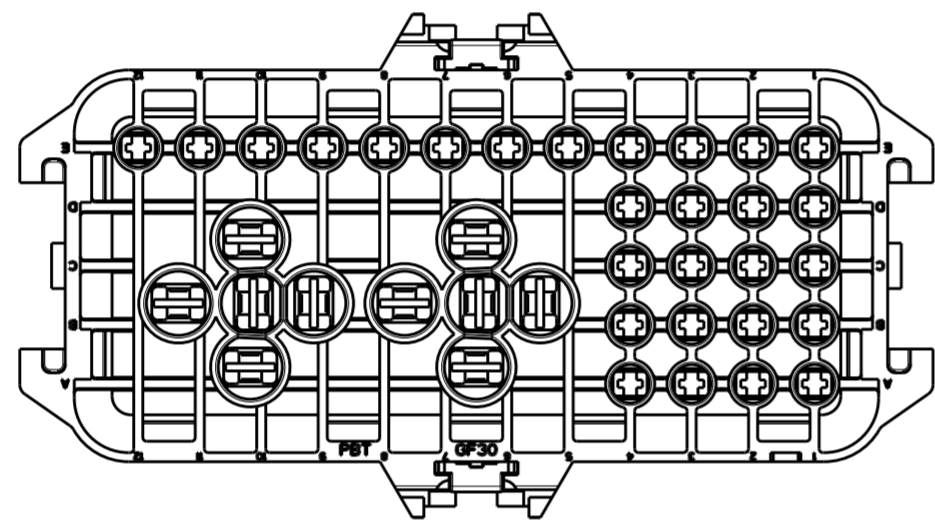
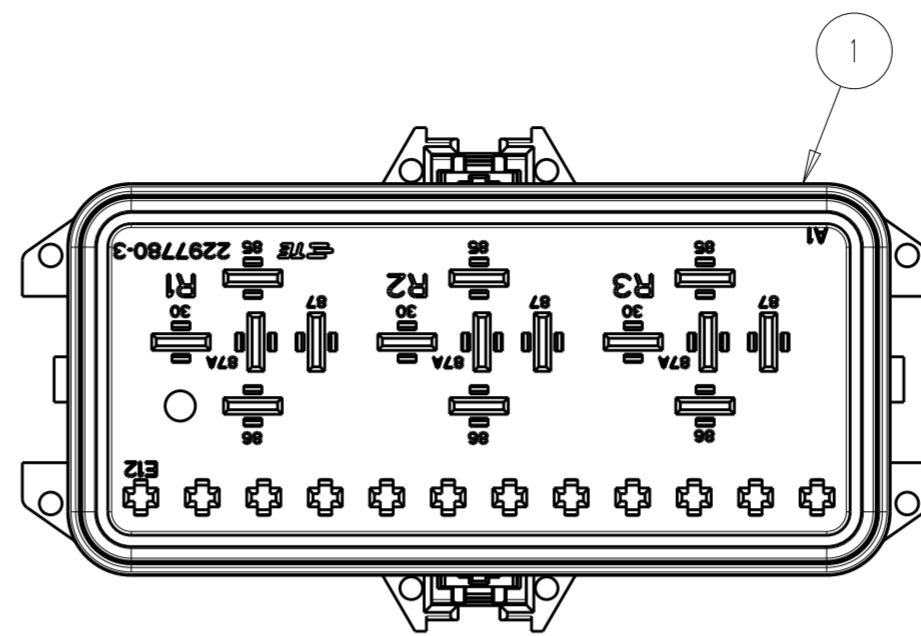
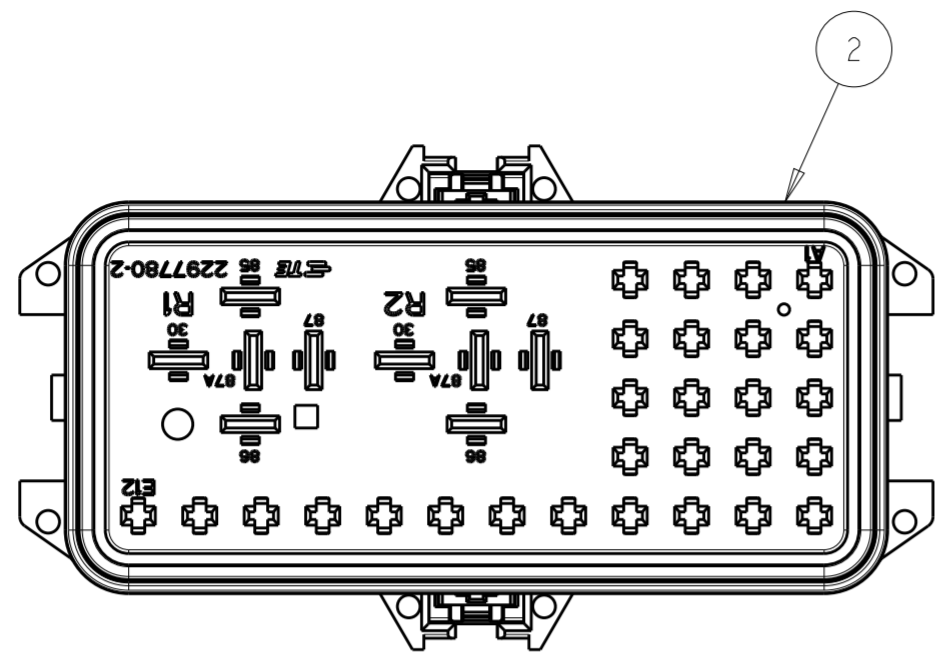
QTY	DESCRIPTION	ITEM NO
1	VMQ FACIAL SEAL	5
2	PBT-GF15, RED CPA	4
-	PBT-GF30, BLACK BASE, 49 POSN, ISO FUSE AND RELAY	3
-	PBT-GF30, BLACK BASE, 38 POSN, ISO FUSE AND RELAY	2
1	PBT-GF30, BLACK BASE, 27 POSN, ISO FUSE AND RELAY	1
-3	-2 -1	DESCRIPTION ITEM NO

THIS DRAWING IS A CONTROLLED DOCUMENT.

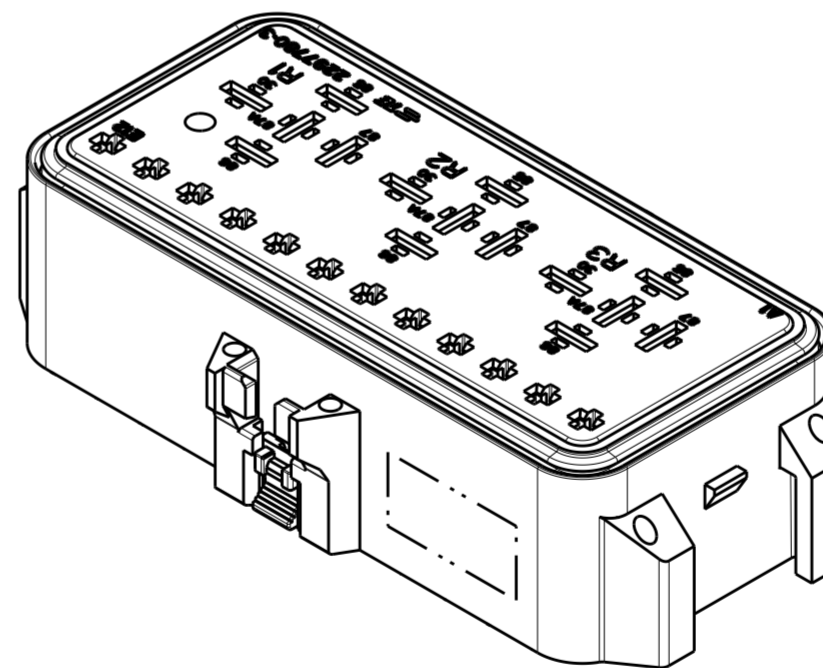
DWN J. MCNEAL 12NOV2015	TE Connectivity
CHK D. STRAUSSER 7JAN2016	
APVD D. STRAUSSER 29APR2016	
PRODUCT SPEC	
MATERIAL	NAME
TOLERANCES UNLESS OTHERWISE SPECIFIED:	BASE ASSEMBLY ISO FUSE AND RELAY BOX
0 PLC ±	SIZE
1 PLC ±	CAGE CODE
2 PLC ±	DRAWING NO
3 PLC ±	RESTRICTED TO
4 PLC ±	WEIGHT 131.3g
ANGLES ±	A200779 C-2297813
FINISH	CUSTOMER DRAWING
	SCALE 1:1
	SHEET 1 OF 3
	REV B

THIS DRAWING IS UNPUBLISHED. RELEASED FOR PUBLICATION 20
 © COPYRIGHT 20 BY - ALL RIGHTS RESERVED.


REVISIONS				
P	LTR	DESCRIPTION	DATE	APVD
-	-	SEE SHEET 1	-	-



2297813-2 SHOWN

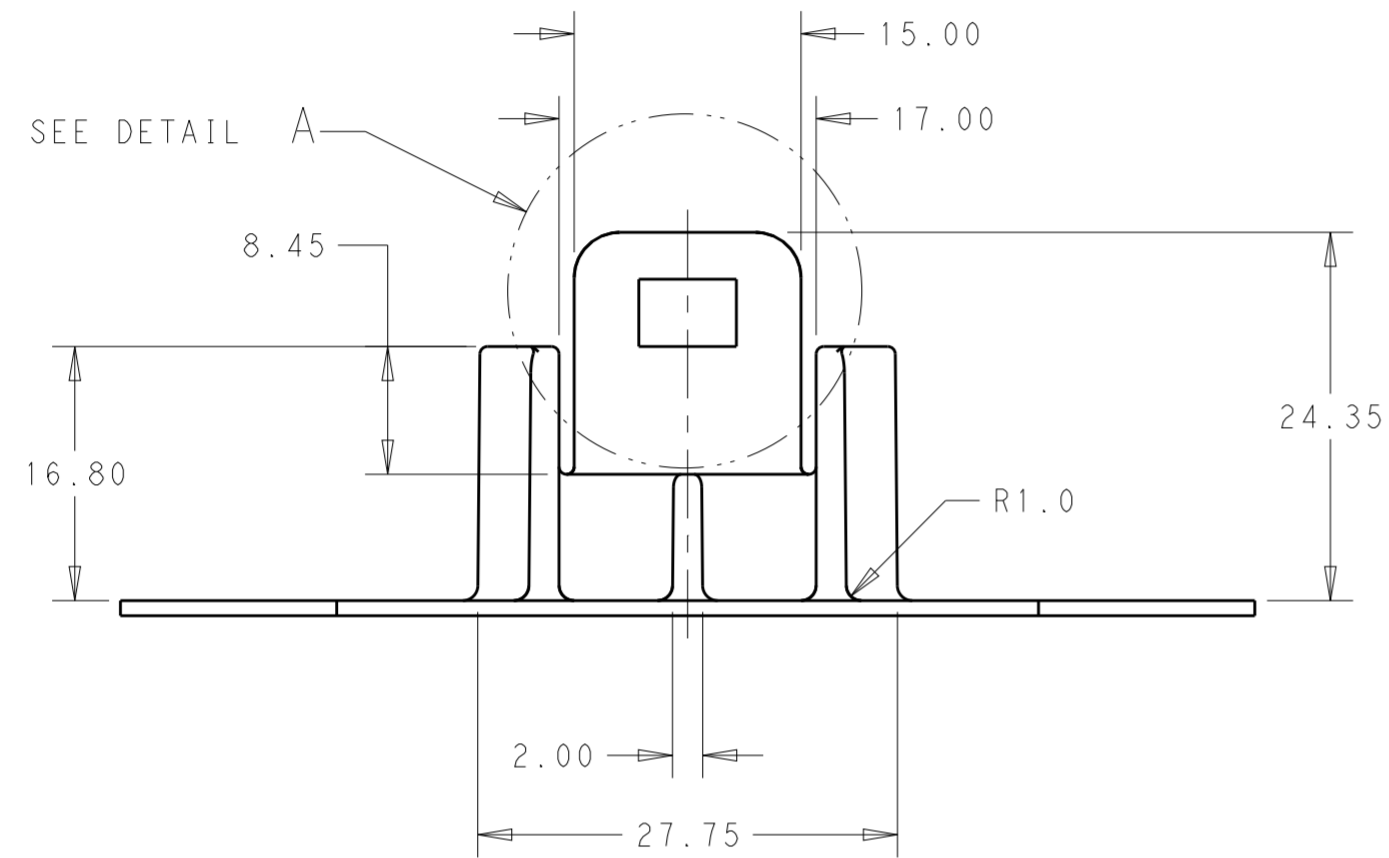


2297813-3 SHOWN

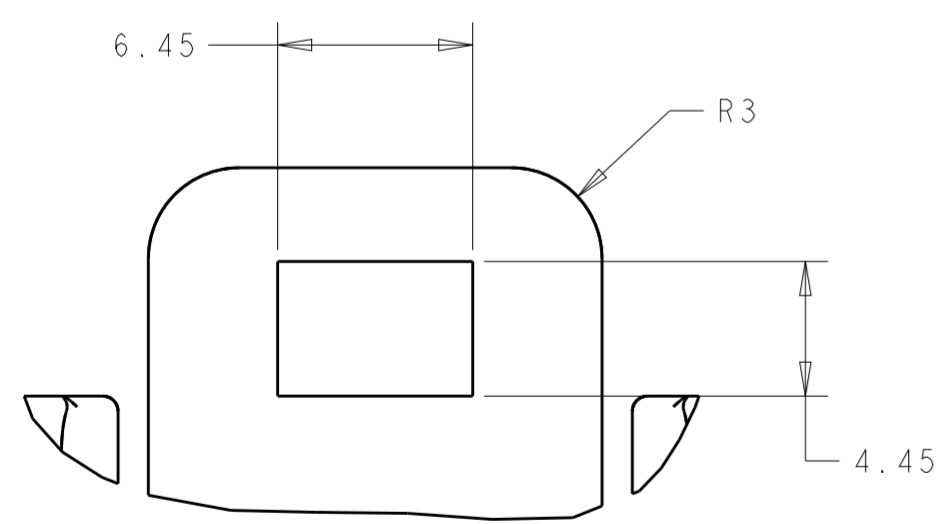
THIS DRAWING IS A CONTROLLED DOCUMENT.		DWN J. MCNEAL 12NOV2015	 TE Connectivity	
DIMENSIONS: mm		CHK D. STRAUSSER 7JAN2016		
TOLERANCES UNLESS OTHERWISE SPECIFIED:		APVD D. STRAUSSER 29APR2016	NAME BASE ASSEMBLY ISO FUSE AND RELAY BOX	
0 PLC ± 1 PLC ± 2 PLC ± 3 PLC ± 4 PLC ± ANGLES ± FINISH -		PRODUCT SPEC -	RESTRICTED TO -	
MATERIAL -		APPLICATION SPEC -	SIZE A2	CAGE CODE 00779
		WEIGHT 131.3g	DRAWING NO C-2297813	
		CUSTOMER DRAWING	SCALE 1:1	SHEET 2 OF 3
			REV B	

THIS DRAWING IS UNPUBLISHED. RELEASED FOR PUBLICATION 20
 © COPYRIGHT 20 BY - ALL RIGHTS RESERVED.

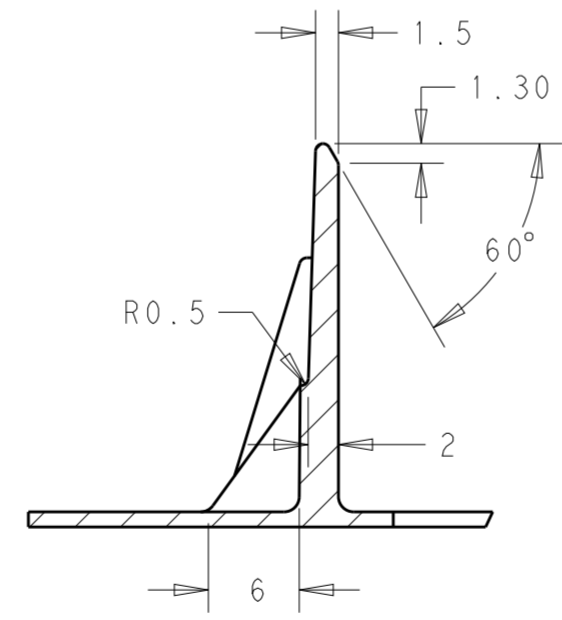
REVISIONS				
P	LTR	DESCRIPTION	DATE	APVD
-		SEE SHEET 1	-	-



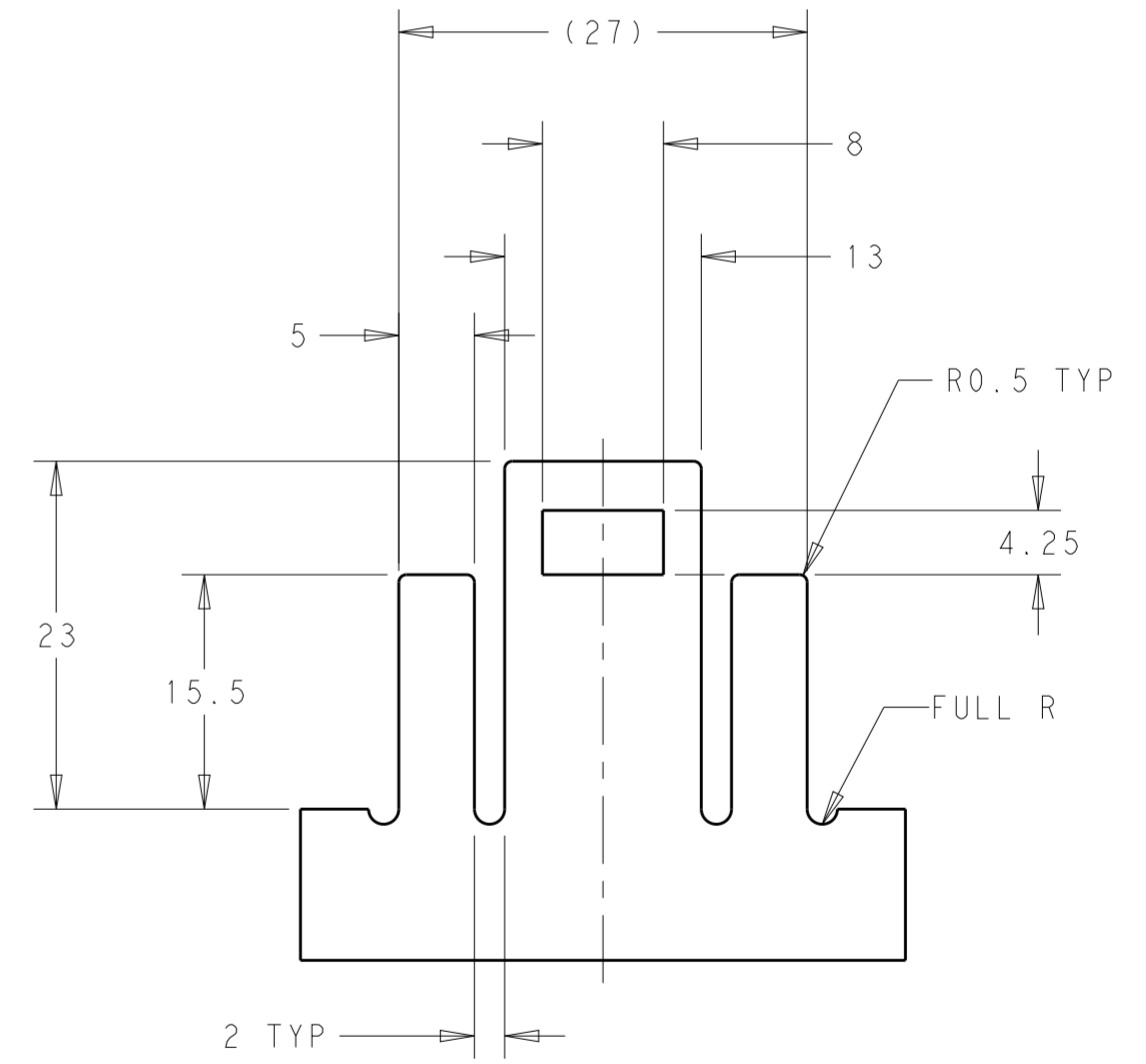
SCALE 2:1



DETAIL A
SCALE 4:1




SECTION A-A
SCALE 2:1



SUGGESTED SHEET METAL LATCH

PLASTIC MOUNTING LATCH
0.5° DRAFT ADDED AS NEEDED

THIS DRAWING IS A CONTROLLED DOCUMENT.		DWN J. MCNEAL 12NOV2015	 TE Connectivity	
DIMENSIONS: mm		CHK D. STRAUSSER 7JAN2016		
TOLERANCES UNLESS OTHERWISE SPECIFIED:		APVD D. STRAUSSER 29APR2016	NAME BASE ASSEMBLY ISO FUSE AND RELAY BOX	
0 PLC ± 1 PLC ± 2 PLC ± 3 PLC ± 4 PLC ± ANGLES ± FINISH -		PRODUCT SPEC -	RESTRICTED TO -	
MATERIAL -		APPLICATION SPEC -	SIZE A200779	DRAWING NO C-2297813
		WEIGHT 131.3g	SCALE 1:1 SHEET 3 OF 3 REV B	
		CUSTOMER DRAWING		