



Chipsmall Limited consists of a professional team with an average of over 10 year of expertise in the distribution of electronic components. Based in Hongkong, we have already established firm and mutual-benefit business relationships with customers from,Europe,America and south Asia,supplying obsolete and hard-to-find components to meet their specific needs.

With the principle of “Quality Parts,Customers Priority,Honest Operation,and Considerate Service”,our business mainly focus on the distribution of electronic components. Line cards we deal with include Microchip,ALPS,ROHM,Xilinx,Pulse,ON,Everlight and Freescale. Main products comprise IC,Modules,Potentiometer,IC Socket,Relay,Connector.Our parts cover such applications as commercial,industrial, and automotives areas.

We are looking forward to setting up business relationship with you and hope to provide you with the best service and solution. Let us make a better world for our industry!



Contact us

Tel: +86-755-8981 8866 Fax: +86-755-8427 6832

Email & Skype: info@chipsmall.com Web: www.chipsmall.com

Address: A1208, Overseas Decoration Building, #122 Zhenhua RD., Futian, Shenzhen, China



Power contactor - ELR 2/I-230/Z - 2298221

Please be informed that the data shown in this PDF Document is generated from our Online Catalog. Please find the complete data in the user's documentation. Our General Terms of Use for Downloads are valid (<http://phoenixcontact.com/download>)



Electronic load relay, 1-phase, 2-channel, for intelligent control of ohmic and inductive loads



Key commercial data

Packing unit	1 pc
Weight per Piece (excluding packing)	754.3 GRM
Custom tariff number	85371099
Country of origin	Germany

Technical data

Dimensions

Width	62 mm
Height	84 mm
Depth	110 mm

Ambient conditions

Ambient temperature (operation)	-25 °C ... 40 °C
Ambient temperature (storage/transport)	-25 °C ... 70 °C
Degree of protection	IP20

Input data

Input name	Device supply
Nominal supply voltage	24 V DC
Protective circuit	Protection against polarity reversal Polarity protection diode
	Surge protection Suppressor diode
Operating voltage display	Yellow LED

Power contactor - ELR 2/I-230/Z - 2298221

Technical data

Output data

Output name	OUT 1, OUT 2
Nominal output voltage range	180 V AC ... 275 V AC
Periodic peak reverse voltage	600 V
Mains frequency	50 Hz
	60 Hz
Continuous load current	2x 13 A (see derating curve)
Load current	min. 75 mA
Leakage current	typ. 6.5 mA
Residual voltage	1.5 V
Surge current	200 A (tp = 10 ms)
Max. load value	220 A ² s (tp = 10 ms)
Protective circuit/component	RC element
	Varistor
Surge voltage protection	275 V AC

Connection data

Connection method	Screw connection
Stripping length	8 mm
Conductor cross section solid min.	0.2 mm ²
Conductor cross section solid max.	6 mm ²
Conductor cross section stranded min.	0.2 mm ²
Conductor cross section stranded max.	4 mm ²
Conductor cross section AWG/kcmil min.	24
Conductor cross section AWG/kcmil max	10
Screw thread	M3

General

Test voltage input/output	4 kV AC
Mounting position	Vertical (horizontal DIN rail)
Assembly instructions	Can be aligned with spacing = 20 mm
Operating mode	100% operating factor
Standards/regulations	EN 50178
Pollution degree	2
Surge voltage category	III

Power contactor - ELR 2/I-230/Z - 2298221

Classifications

eCl@ss

eCl@ss 4.0	27371102
eCl@ss 4.1	27371102
eCl@ss 5.0	27371601
eCl@ss 5.1	27371601
eCl@ss 6.0	27371601

ETIM

ETIM 2.0	EC000066
ETIM 3.0	EC000066
ETIM 4.0	EC000066
ETIM 5.0	EC002055

UNSPSC

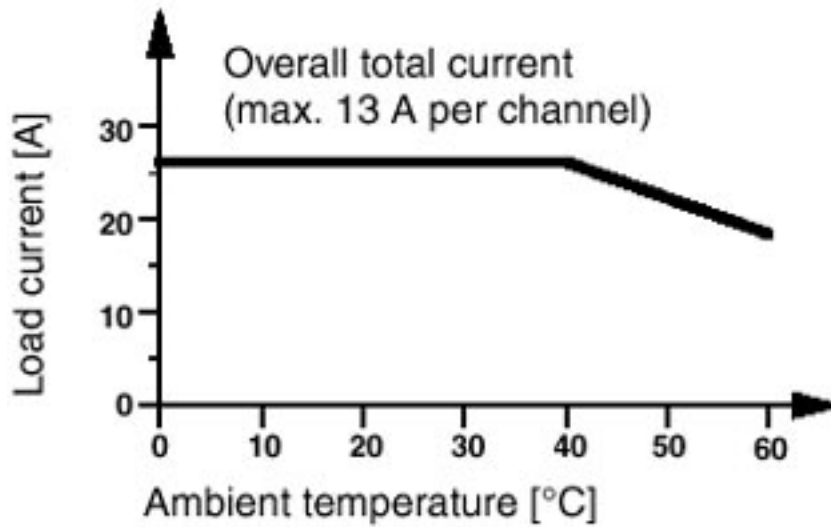
UNSPSC 6.01	30211915
UNSPSC 7.0901	39121514
UNSPSC 11	39121514
UNSPSC 12.01	39121514
UNSPSC 13.2	39121514

Drawings

Power contactor - ELR 2/I-230/Z - 2298221

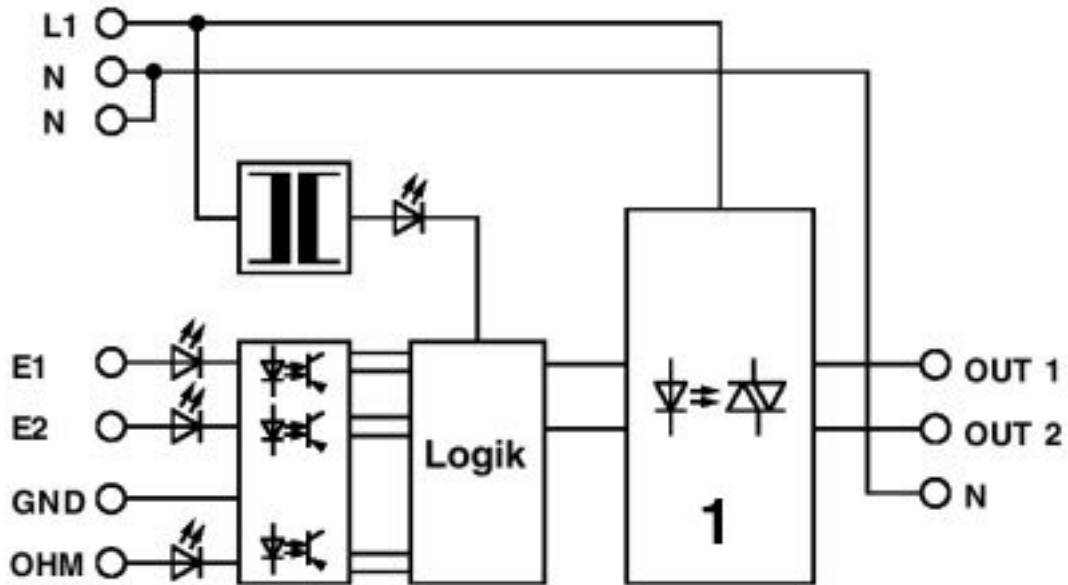
Diagram

Load current dependent on the ambient temperature for ELR 2/I-230/Z
Duty cycle: 100% operating factor



Power contactor - ELR 2/I-230/Z - 2298221

Circuit diagram



1 = power section