



Chipsmall Limited consists of a professional team with an average of over 10 year of expertise in the distribution of electronic components. Based in Hongkong, we have already established firm and mutual-benefit business relationships with customers from,Europe,America and south Asia,supplying obsolete and hard-to-find components to meet their specific needs.

With the principle of “Quality Parts,Customers Priority,Honest Operation,and Considerate Service”,our business mainly focus on the distribution of electronic components. Line cards we deal with include Microchip,ALPS,ROHM,Xilinx,Pulse,ON,Everlight and Freescale. Main products comprise IC,Modules,Potentiometer,IC Socket,Relay,Connector.Our parts cover such applications as commercial,industrial, and automotives areas.

We are looking forward to setting up business relationship with you and hope to provide you with the best service and solution. Let us make a better world for our industry!



Contact us

Tel: +86-755-8981 8866 Fax: +86-755-8427 6832

Email & Skype: info@chipsmall.com Web: www.chipsmall.com

Address: A1208, Overseas Decoration Building, #122 Zhenhua RD., Futian, Shenzhen, China



THIS DRAWING IS UNPUBLISHED.

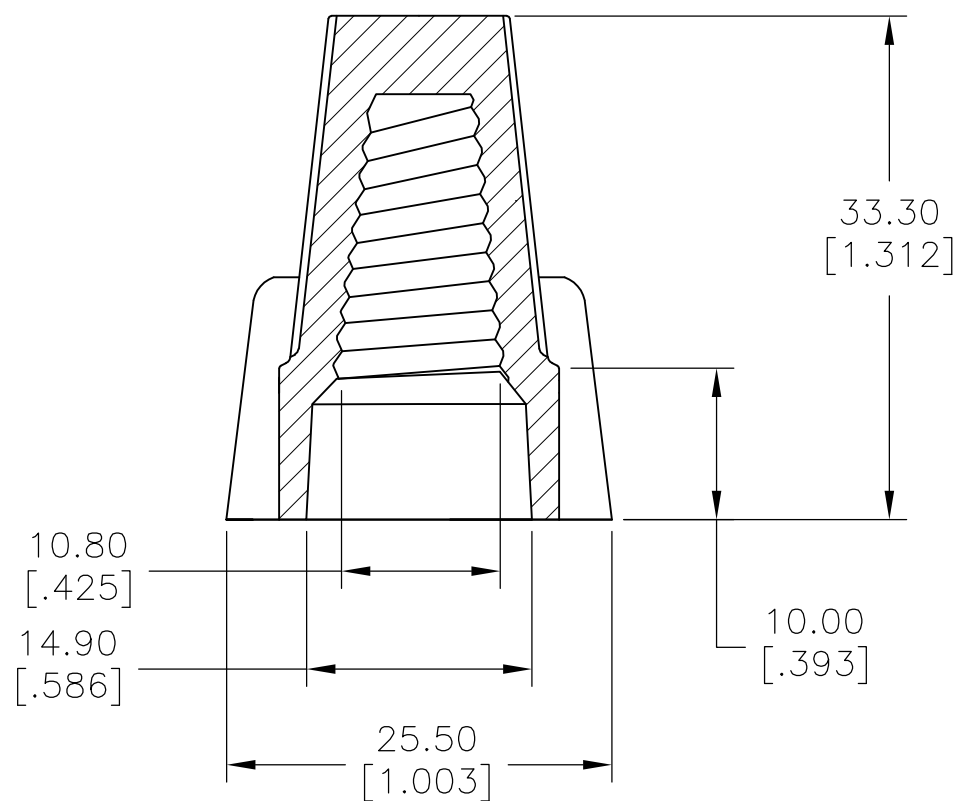
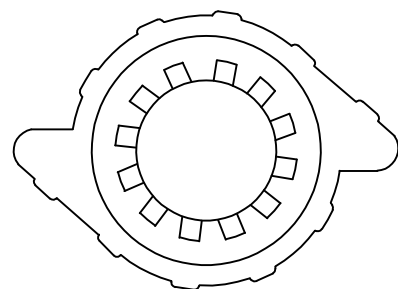
RELEASED FOR PUBLICATION

ALL RIGHTS RESERVED.

© COPYRIGHT - By -


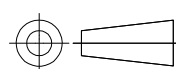
REVISIONS

P	LTR	DESCRIPTION	DATE	DWN	APVD
	A	NEW DRAWING	14JAN2016	NK	RH



- 1 WORKING TEMPERATURE: 105° C
- 2 VOLTAGE: 600V MAX.
- 3 COLOR: GREY
- 4 WIRE RANGE: #18-#8 AWG MAX.3#10 MIN.3#14 W/1 #18
- 5 SPRING INSERT: STEEL

2299509-1 AS SHOWN

THIS DRAWING IS A CONTROLLED DOCUMENT.		DWN NAGALAKSHMI K 14JAN2016	 TE Connectivity				
DIMENSIONS: mm [INCHES]		CHK HILL RYAN 14JAN2016					
TOLERANCES UNLESS OTHERWISE SPECIFIED:		APVD HILL RYAN 14JAN2016	NAME				
		PRODUCT SPEC	CPGI-WC-TG-GR-BULK				
MATERIAL TOUGH THERMOPLASTIC UL 94V-2 FLAME-RETARDANT		FINISH -	APPLICATION SPEC	SIZE A3	CAGE CODE 00779	DRAWING NO C-2299509	RESTRICTED TO
CUSTOMER DRAWING			WEIGHT -	SCALE 2:1	SHEET 1 OF 1	REV A	