



Chipsmall Limited consists of a professional team with an average of over 10 year of expertise in the distribution of electronic components. Based in Hongkong, we have already established firm and mutual-benefit business relationships with customers from,Europe,America and south Asia,supplying obsolete and hard-to-find components to meet their specific needs.

With the principle of “Quality Parts,Customers Priority,Honest Operation,and Considerate Service”,our business mainly focus on the distribution of electronic components. Line cards we deal with include Microchip,ALPS,ROHM,Xilinx,Pulse,ON,Everlight and Freescale. Main products comprise IC,Modules,Potentiometer,IC Socket,Relay,Connector.Our parts cover such applications as commercial,industrial, and automotives areas.

We are looking forward to setting up business relationship with you and hope to provide you with the best service and solution. Let us make a better world for our industry!



## Contact us

Tel: +86-755-8981 8866 Fax: +86-755-8427 6832

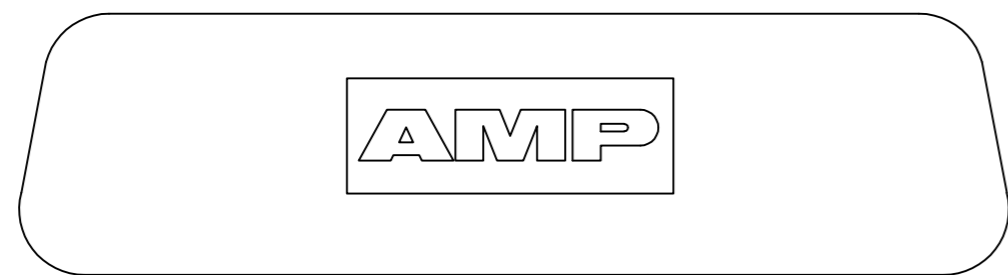
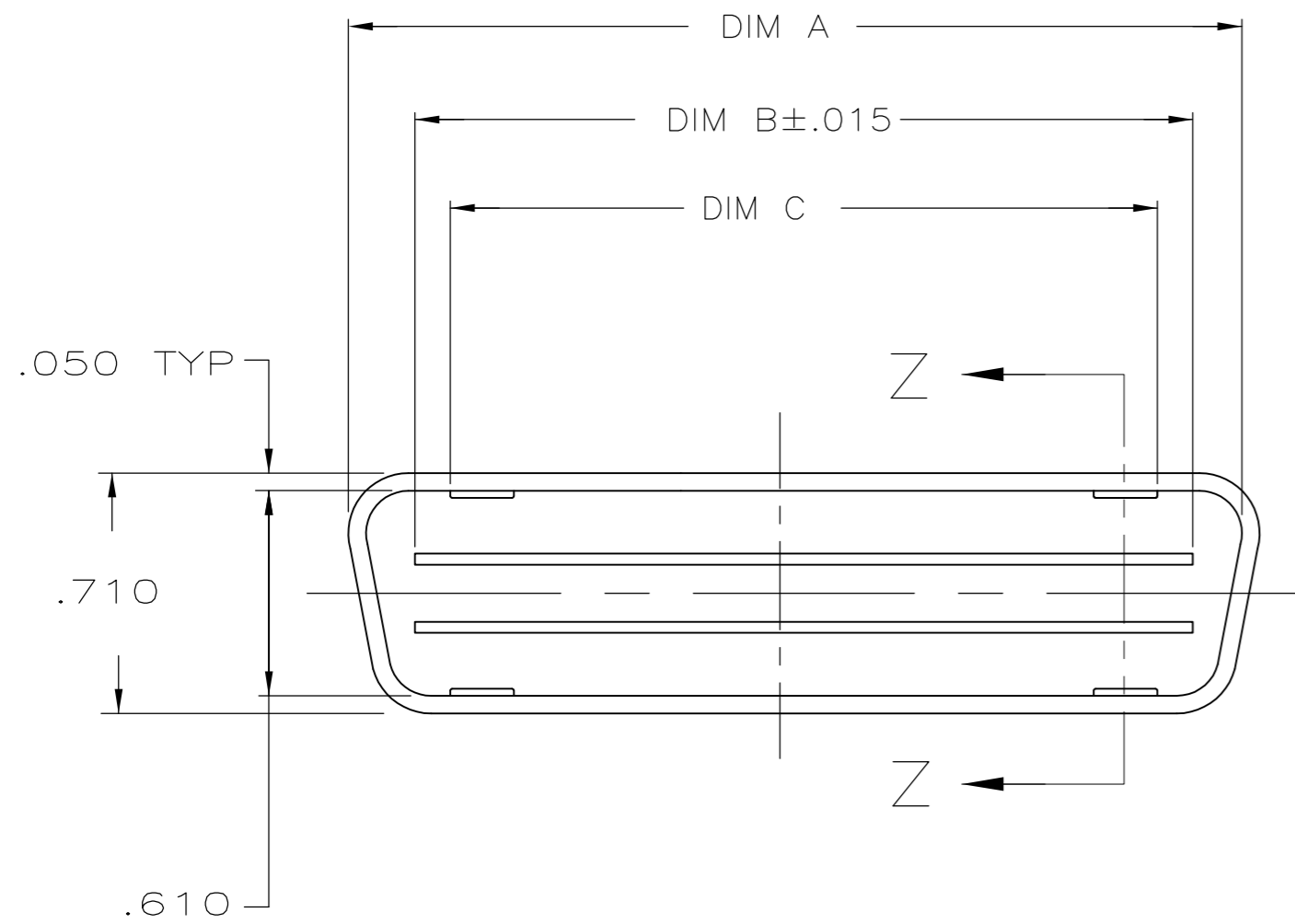
Email & Skype: info@chipsmall.com Web: www.chipsmall.com

Address: A1208, Overseas Decoration Building, #122 Zhenhua RD., Futian, Shenzhen, China

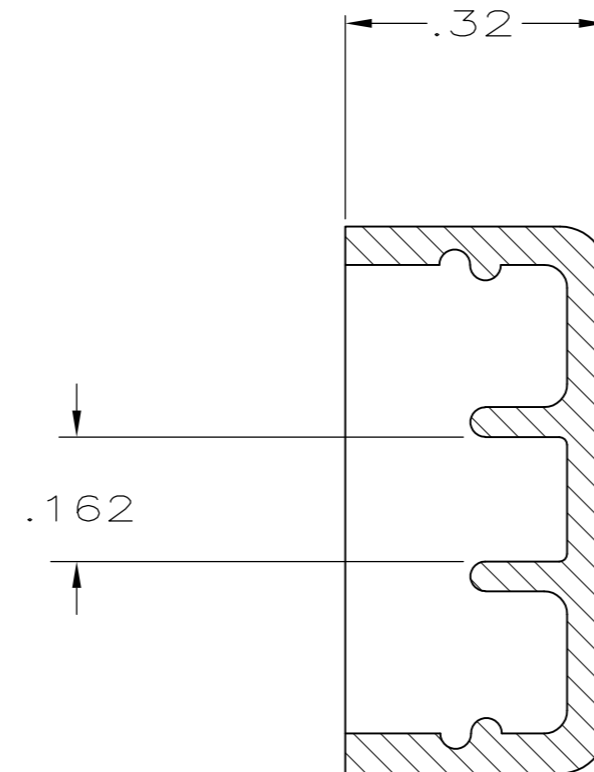


THIS DRAWING IS UNPUBLISHED. RELEASED FOR PUBLICATION  
 © COPYRIGHT BY TYCO ELECTRONICS CORPORATION. ALL RIGHTS RESERVED.

LOC	DIST	REVISIONS			
P	LTR	DESCRIPTION	DATE	DWN	APVD
AA	40				
		K REVISED PER ECN 0513-0621-04	07MAR06	JDP	WLM
		K1 REV PER ECO-09-021826	02AUG09	KK	AEG



- ALL DIMENSIONS SHOWN ARE FOR REFERENCE ONLY UNLESS OTHERWISE SPECIFIED.
- OBsolete PARTS: OBsolete CIS STREAMLINING PER D.RENAUD/D.SINISI



SECTION Z-Z  
SCALE 4:1

2	OBsolete	.662	1.160	1.260	14	229968-5
2	OBsolete	1.087	1.585	1.685	24	229968-4
	OBsolete	1.597	2.090	2.190	36	229968-3
		2.787	3.285	3.385	64	229968-2
		2.192	2.715	2.815	50	229968-1
		DIM. C	DIM. B	DIM. A	POSITION	PART NO.

THIS DRAWING IS A CONTROLLED DOCUMENT.		DWN 15 MAR 94 GP MACARTHUR	Tyco Electronics Corporation Harrisburg, PA 17105-3608	
DIMENSIONS: mm [INCHES]		CHK 18 MAR 94 N. JONES	NAME	
TOLERANCES UNLESS OTHERWISE SPECIFIED:		APVD 21 MAR 94 J. TRAMMEL	COVER, DUST, PLUG, CHAMP	
0 PLC ± - 1 PLC ± - 2 PLC ± .02 3 PLC ± .005 4 PLC ± - ANGLES ± -		PRODUCT SPEC APPLICATION SPEC	SIZE A2	CAGE CODE 00779
MATERIAL THERMOPLASTIC(BLUE)	FINISH -	WEIGHT -	DRAWING NO C=229968	RESTRICTED TO -
CUSTOMER DRAWING			SCALE 2:1	SHEET 1 of 1
			REV K1	