



Chipsmall Limited consists of a professional team with an average of over 10 year of expertise in the distribution of electronic components. Based in Hongkong, we have already established firm and mutual-benefit business relationships with customers from,Europe,America and south Asia,supplying obsolete and hard-to-find components to meet their specific needs.

With the principle of “Quality Parts,Customers Priority,Honest Operation,and Considerate Service”,our business mainly focus on the distribution of electronic components. Line cards we deal with include Microchip,ALPS,ROHM,Xilinx,Pulse,ON,Everlight and Freescale. Main products comprise IC,Modules,Potentiometer,IC Socket,Relay,Connector.Our parts cover such applications as commercial,industrial, and automotives areas.

We are looking forward to setting up business relationship with you and hope to provide you with the best service and solution. Let us make a better world for our industry!



## Contact us

Tel: +86-755-8981 8866 Fax: +86-755-8427 6832

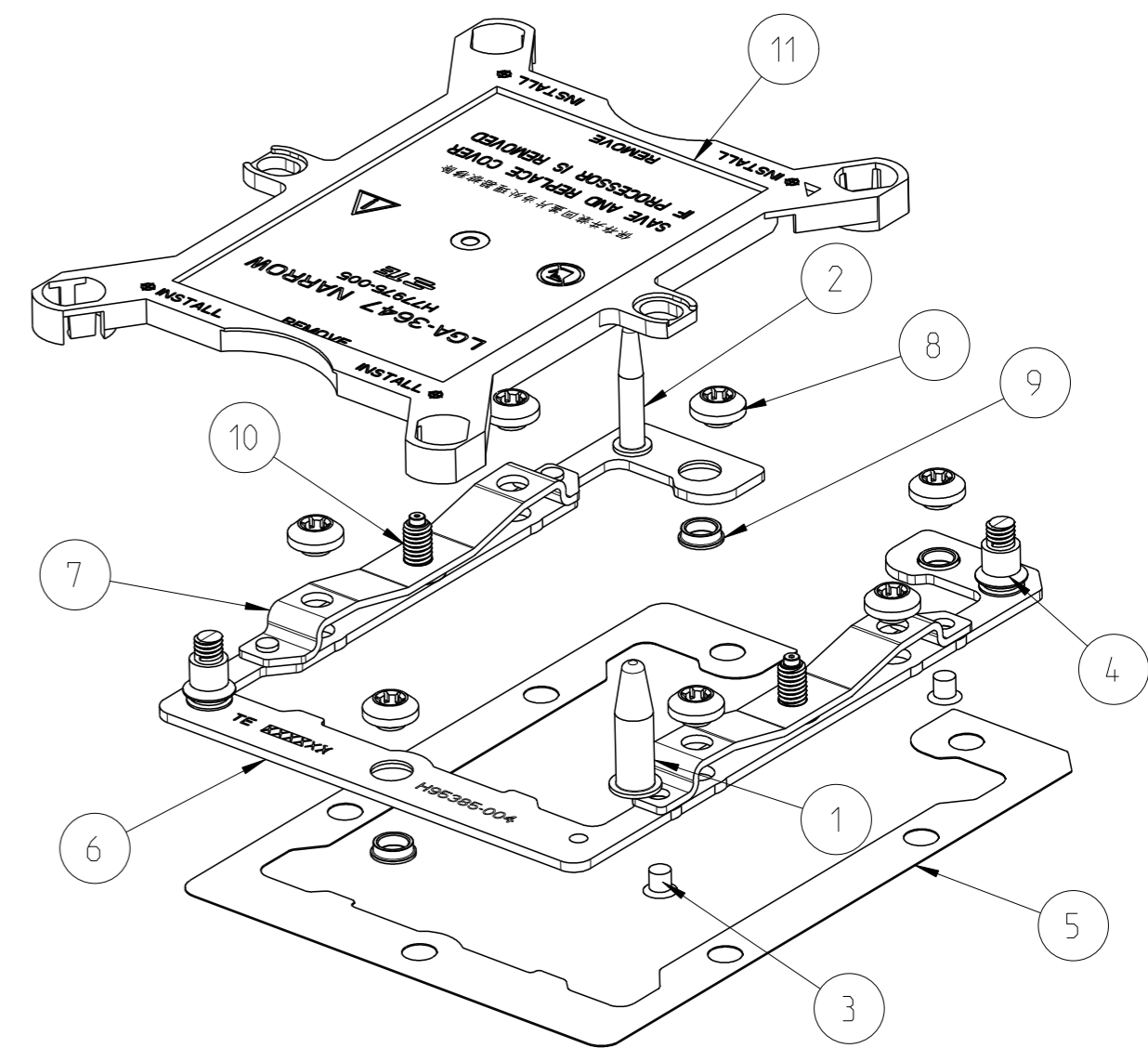
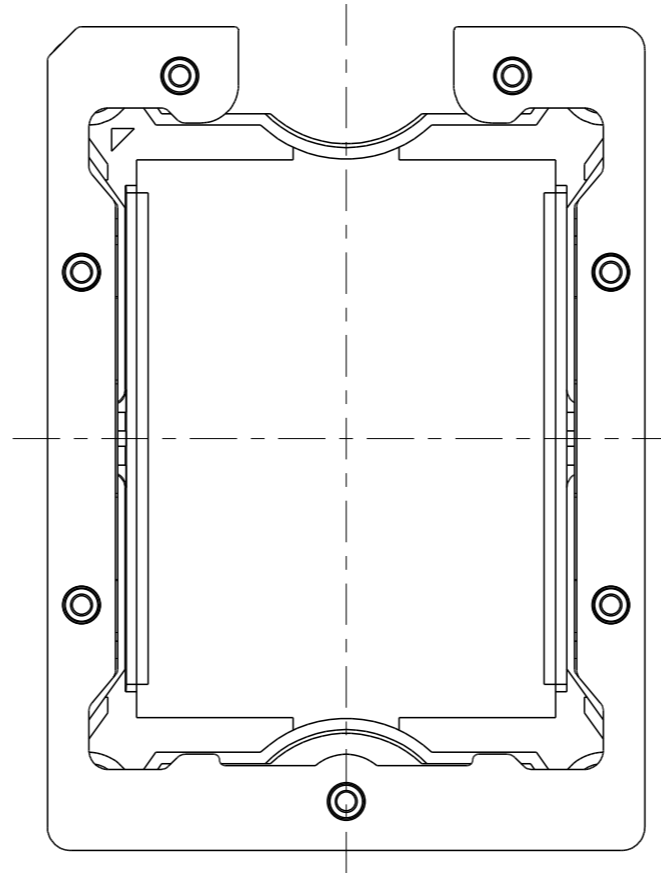
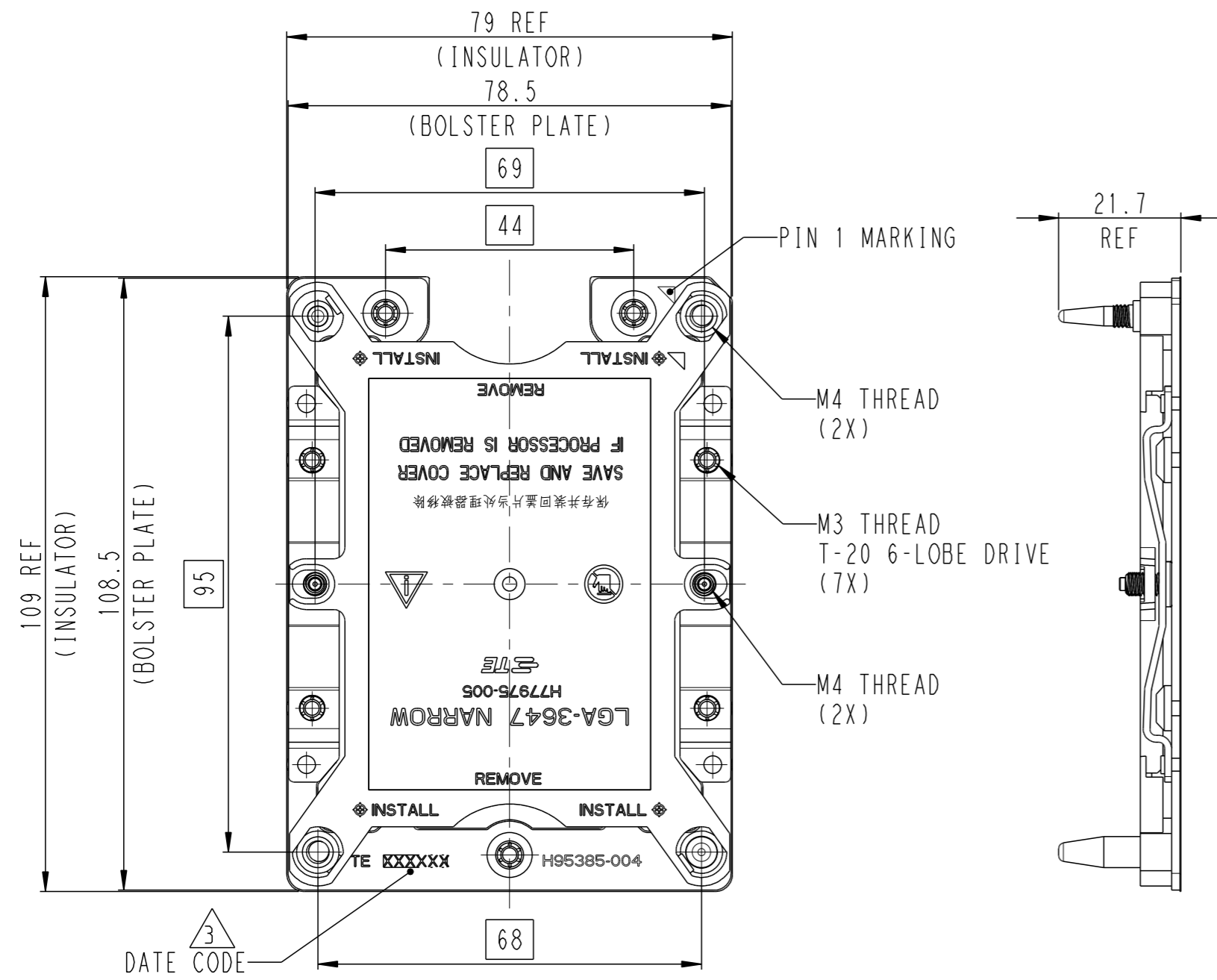
Email & Skype: info@chipsmall.com Web: www.chipsmall.com

Address: A1208, Overseas Decoration Building, #122 Zhenhua RD., Futian, Shenzhen, China



THIS DRAWING IS UNPUBLISHED. RELEASED FOR PUBLICATION  
 © COPYRIGHT copyright\_date - ALL RIGHTS RESERVED.

REVISIONS				
P	LTR	DESCRIPTION	DATE	APVD
	A1	REVISED	26DEC16	J.W C.W



P/N: 2299804-1 AS SHOW  
(NRW-NF TYPE WITH COVER)

NOTES:

1. MATERIAL:

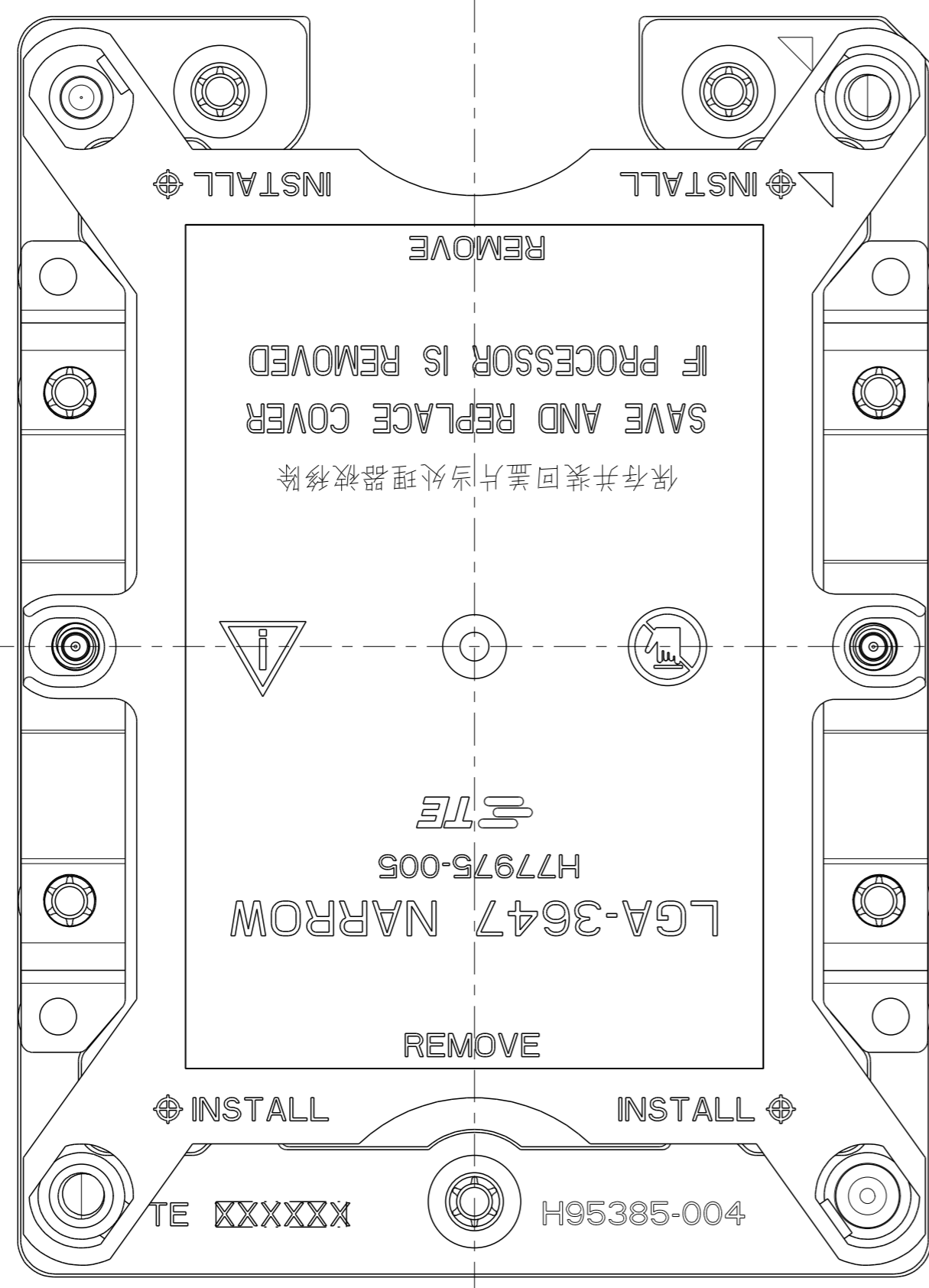
- ① BOLSTER LARGE GUIDE POST: STAINLESS STEEL
  - ② BOLSTER SMALL GUIDE POST: STAINLESS STEEL
  - ③ SKT-P-KNL, SPRING RIVET: STAINLESS STEEL
  - ④ SKX BOLSTER CORNER STANDOFF: STAINLESS STEEL
  - ⑤ SKX NRW NON FABRIC BOLSTER INSULATOR:  
-POLYCARBONATE FILM PLUS ACRYLIC ADHESIVE LAYER
  - ⑥ SKX NRW NON FABRIC BOLSTER PLATE: STAINLESS STEEL
  - ⑦ SKX-EP NRW SPRING: STAINLESS STEEL
  - ⑧ SOCKET P M3 BOLSTER CAPTIVE NUT: CARBON STEEL, NICKEL PLATING
  - ⑨ SOCKET P M3 BOLSTER CAPTIVE NUT COLLAR: CARBON STEEL, NICKEL PLATING
  - ⑩ SKT-EP SPRING STUD: STAINLESS STEEL
  - ⑪ NRW DUST COVER: THERMO-PLASTIC, UL94V-0, BLACK
2. ASSEMBLED WITH BOLSTER ASSEMBLY P/N: 2299805 SERIES
- ③ INDICATED DATE CODE ON THE BOLSTER PLATE

Q'TY	DESCRIPTION	ITEM
11	NRW DUST COVER	11
10	SKT-EP SPRING STUD	10
9	SOCKET P M3 BOLSTER CAPTIVE NUT COLLAR	9
8	SOCKET P M3 BOLSTER CAPTIVE NUT	8
7	SKX-EP NRW SPRING	7
6	SKX NRW NON FABRIC BOLSTER PLATE	6
5	SKX NRW NON FABRIC BOLSTER INSULATOR	5
4	SKX BOLSTER CORNER STANDOFF	4
3	SKT-P-KNL, SPRING RIVET	3
2	KNL BOLSTER SMALL GUIDE POST	2
1	KNL BOLSTER LARGE GUIDE POST	1

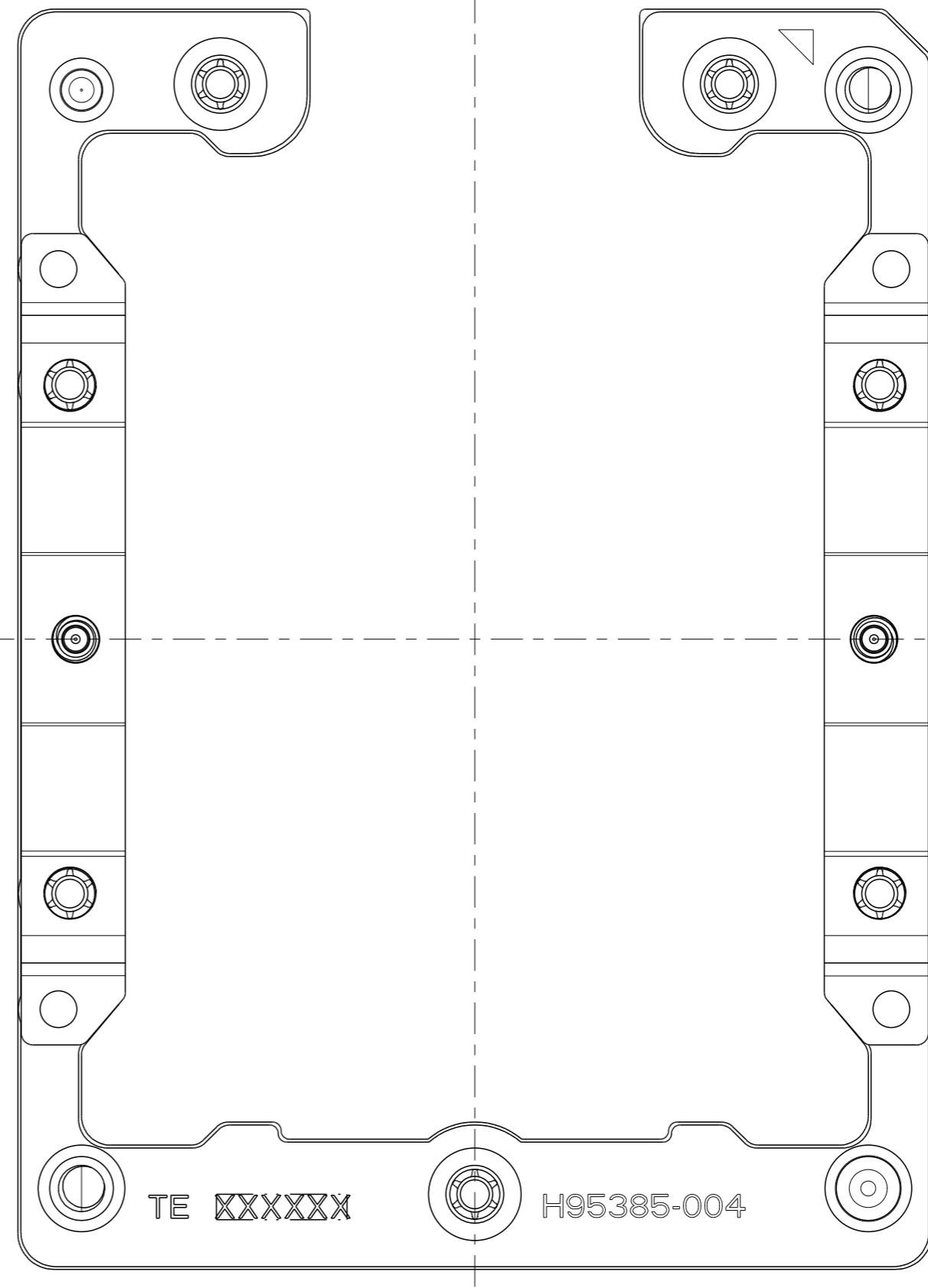
THIS DRAWING IS A CONTROLLED DOCUMENT.		DWN: JEFF WANG 23 JUN 2016	TE Connectivity	
		CHK: SIMON LI 23 JUN 2016		
		APVD: COREL WANG 23 JUN 2016	NAME: SKX-EP NRW-NF BOLSTER PLATE ASSY	
DIMENSIONS: mm		PRODUCT SPEC: 108-115115	SIZE: A2	CAGE CODE: -
TOLERANCES UNLESS OTHERWISE SPECIFIED:		APPLICATION SPEC: 114-115011	DRAWING NO: C-2299804	RESTRICTED TO: -
MATERIAL: -		WEIGHT: -	SCALE: 1:1	SHEET: 1 OF 2
		CUSTOMER DRAWING	REV: A1	

THIS DRAWING IS UNPUBLISHED. RELEASED FOR PUBLICATION  
 © COPYRIGHT copyright\_date BY - ALL RIGHTS RESERVED.

REVISIONS				
P	LTR	DESCRIPTION	DATE	APVD
-	-	SEE SHEET 1	-	-



NRW-NF TYPE WITH COVER  
 P/N: 2299804-1



NRW-NF TYPE WITHOUT COVER  
 P/N: 2299804-3  
 ALL DIMENSIONS SAME WITH -1

THIS DRAWING IS A CONTROLLED DOCUMENT.		DWN JEFF WANG 23JUN2016	<b>STE</b> TE Connectivity	
DIMENSIONS: mm		CHK SIMON LI 23JUN2016		
TOLERANCES UNLESS OTHERWISE SPECIFIED: 0 PLC ±0.3 1 PLC ±0.3 2 PLC ±0.3 3 PLC ±0.3 4 PLC ±0.3 ANGLES ±3 FINISH		APVD COREL WANG 23JUN2016	NAME SKX-EP NRW-NF BOLSTER PLATE ASSY	
MATERIAL		PRODUCT SPEC 108-115115	SIZE A2	CAGE CODE -
		APPLICATION SPEC 114-115011	DRAWING NO C=2299804	RESTRICTED TO -
		WEIGHT -	SCALE 2:1 SHEET 2 OF 2 REV A1	
		CUSTOMER DRAWING		