



Chipsmall Limited consists of a professional team with an average of over 10 year of expertise in the distribution of electronic components. Based in Hongkong, we have already established firm and mutual-benefit business relationships with customers from,Europe,America and south Asia,supplying obsolete and hard-to-find components to meet their specific needs.

With the principle of “Quality Parts,Customers Priority,Honest Operation,and Considerate Service”,our business mainly focus on the distribution of electronic components. Line cards we deal with include Microchip,ALPS,ROHM,Xilinx,Pulse,ON,Everlight and Freescale. Main products comprise IC,Modules,Potentiometer,IC Socket,Relay,Connector.Our parts cover such applications as commercial,industrial, and automotives areas.

We are looking forward to setting up business relationship with you and hope to provide you with the best service and solution. Let us make a better world for our industry!



Contact us

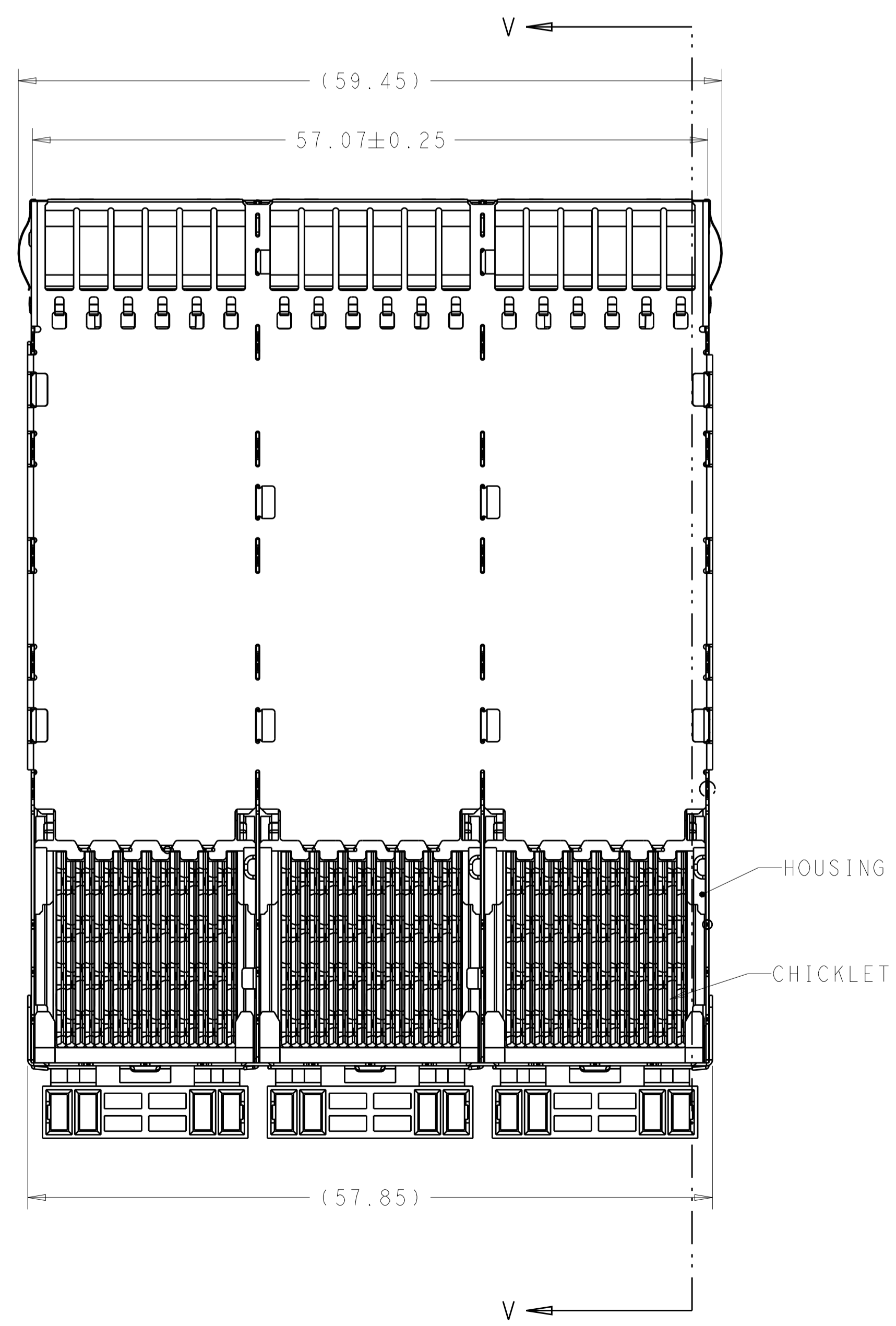
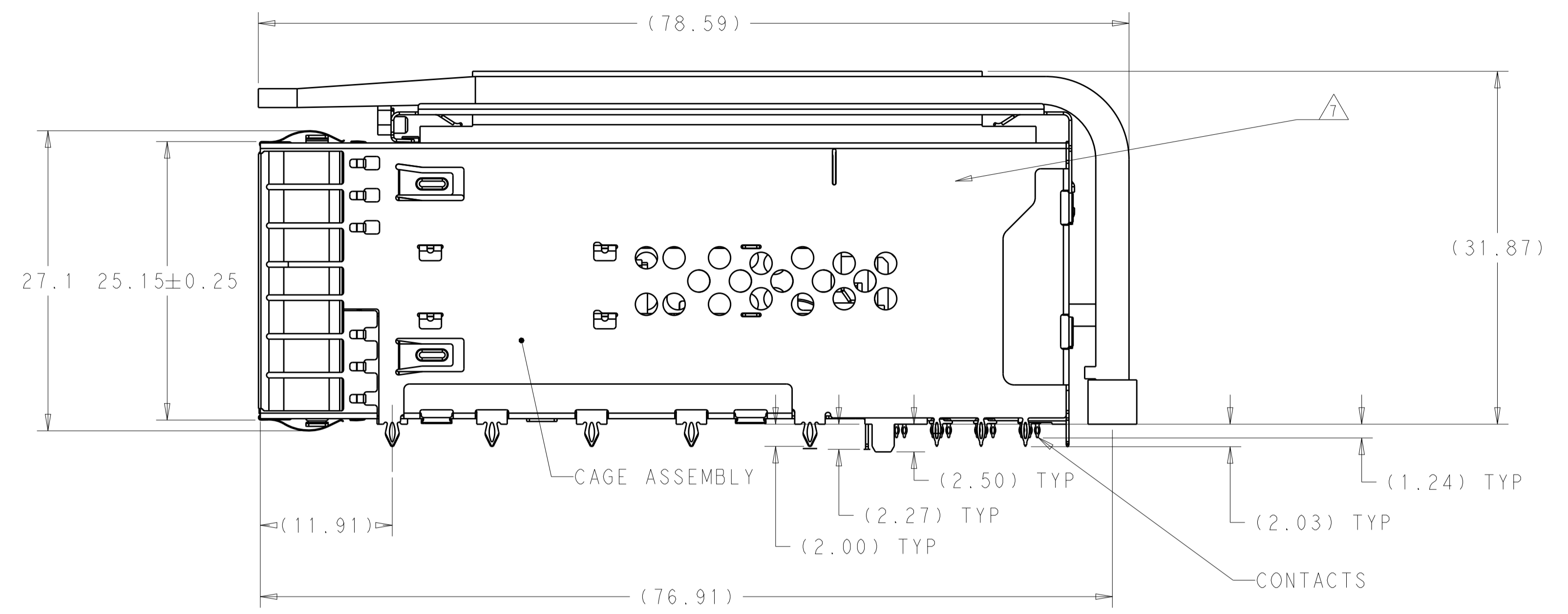
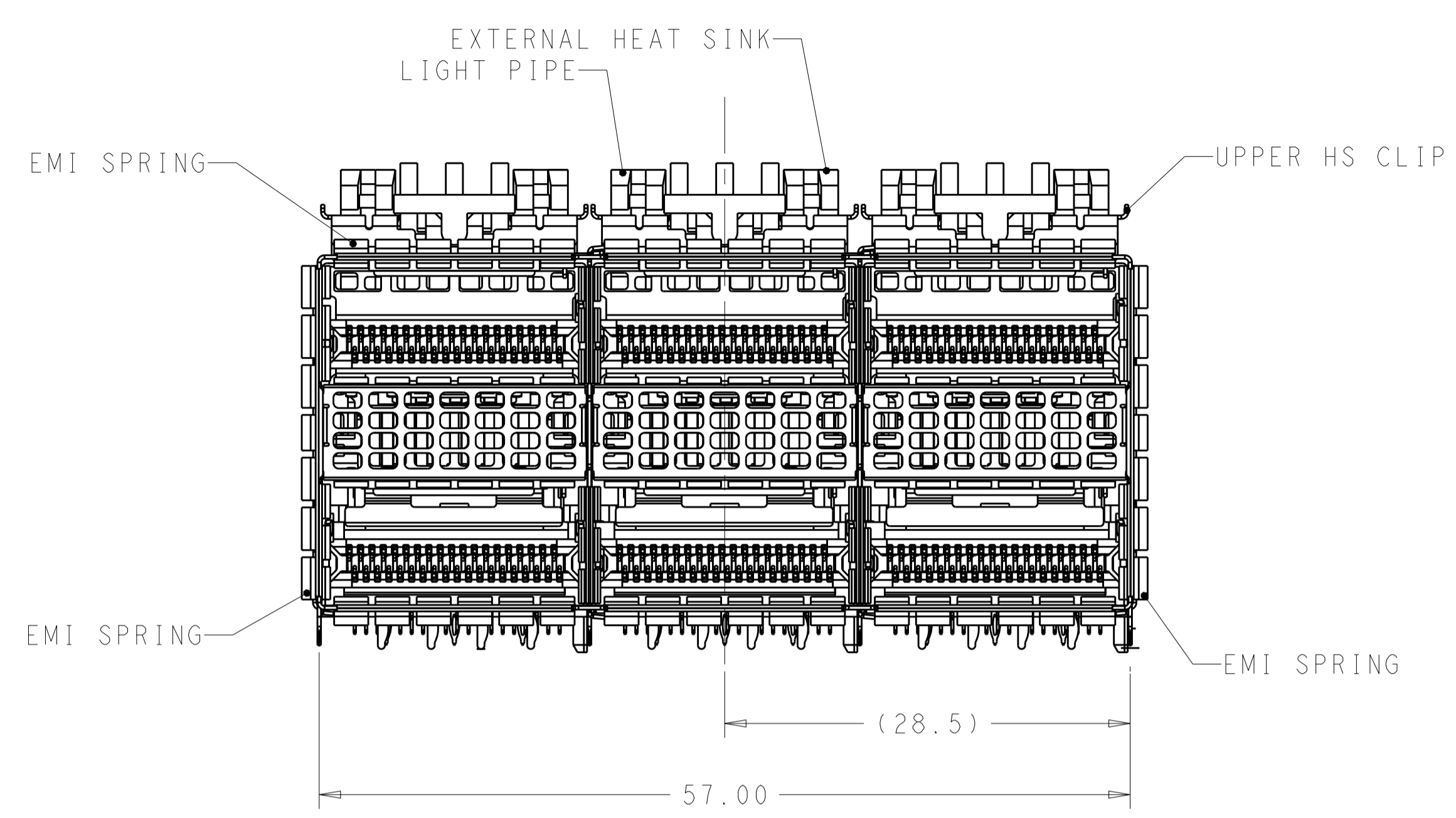
Tel: +86-755-8981 8866 Fax: +86-755-8427 6832

Email & Skype: info@chipsmall.com Web: www.chipsmall.com

Address: A1208, Overseas Decoration Building, #122 Zhenhua RD., Futian, Shenzhen, China



LOC	DIST	REVISIONS					
GP	00	P	LTN	DESCRIPTION	DATE	DMN	APVD



- MATERIALS:
 CAGE ASSEMBLY- NICKEL SILVER ALLOY PER ASTM B 122.
 EMI SPRING- COPPER ALLOY, NICKEL PLATED.
 HOUSING- POLYESTER LCP WITH 94 V-0
 CHICKLET- POLYESTER LCP WITH 94 V-0
 CONTACT- COPPER ALLOY.
 LIGHTPIPE- POLYCARBONATE
 HEAT SINK- ALUMINUM
 CLIP- STAINLESS STEEL
- CONTACT FINISH: 0.76µm GOLD ON MATING END, 1.25µm TIN ON SOLDER TAIL, ALL OVER 1.27µm NICKEL.
- DATUM AND BASIC DIMENSION ESTABLISHED BY CUSTOMER.
- MINIMUM PCB THICKNESS OF 1.57.
- THE ENTIRE AREA OF THE CONNECTOR FOOTPRINT, INDICATED BY THE DASHED LINE, TO BE CONSIDERED THE KEEPOUT AREA FOR COMPONENTS.
- CROSS-HATCHED AREAS REPRESENT ZONES ON THE PCB THAT COME IN CONTACT WITH OR BE IN CLOSE PROXIMITY TO THE PLASTIC HOUSING OR THE CONNECTOR CAGE. INDICATED AREAS TO BE CONSIDERED TRACE FREE.
- PART NUMBER AND DATE CODE MADE IN APPROXIMATE AREA SHOWN.
- HATCHED AREA IS PLACEMENT ZONE FOR LED. LED SHOULD BE CENTERED WITHIN ZONE. RECOMMEND 0805 PACKAGE

CONTACT FINISH	DESCRIPTION	PART NUMBER
2	WITH HS & WITH LP	2299924-5
2	WITHOUT UPPER HS OR LP	2299924-4
2	WITH HS & WITHOUT LP	2299924-3
2	WITH HS & WITHOUT LP	2299924-2
2	WITH HS & WITH LP	2299924-1

THIS DRAWING IS A CONTROLLED DOCUMENT. DWG: ARTHUR_JLN 20JAN2016
 CHK: SEAN_HAN 20JAN2016
 APVD: SEAN_HAN 20JAN2016

DIMENSIONS: mm
 TOLERANCES UNLESS OTHERWISE SPECIFIED:
 0 PLC ±
 1 PLC ±0.25
 2 PLC ±0.15
 3 PLC ±
 4 PLC ±
 ANGLES ±

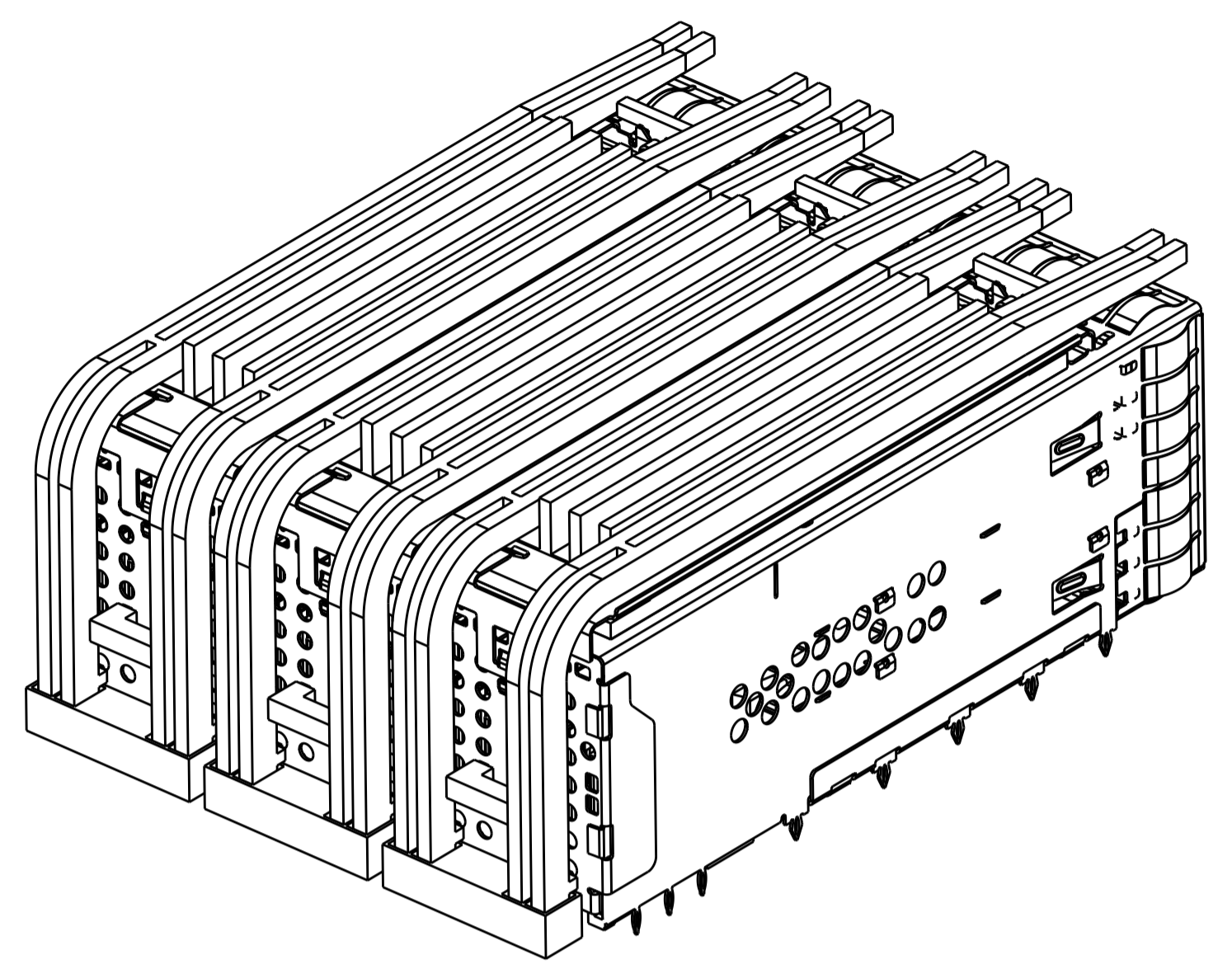
MATERIAL: SEE NOTE 1
 FINISH: SEE NOTE 2

WEIGHT: -
 CUSTOMER DRAWING

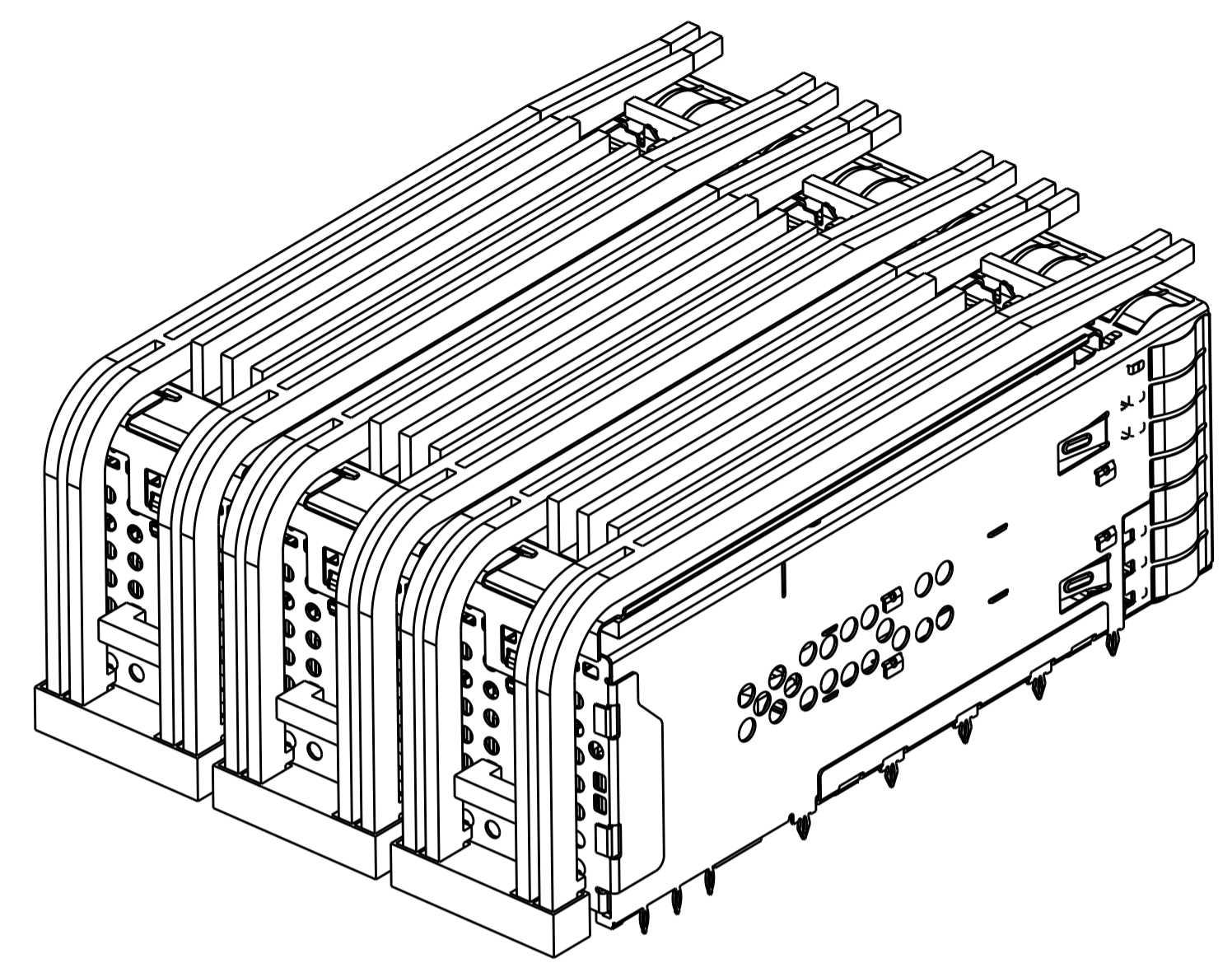
SCALE: 1:1
 SHEET 1 OF 7
 REV A

TE Connectivity
 NAME: CAGE AND CONNECTOR ASSEMBLY WITH EMI SPRING FINGERS, THRU BEZEL, 2X3 ZQSP+ STACKED WITH HS
 SIZE: A1
 CAGE CODE: 00779
 DRAWING NO: C=2299924

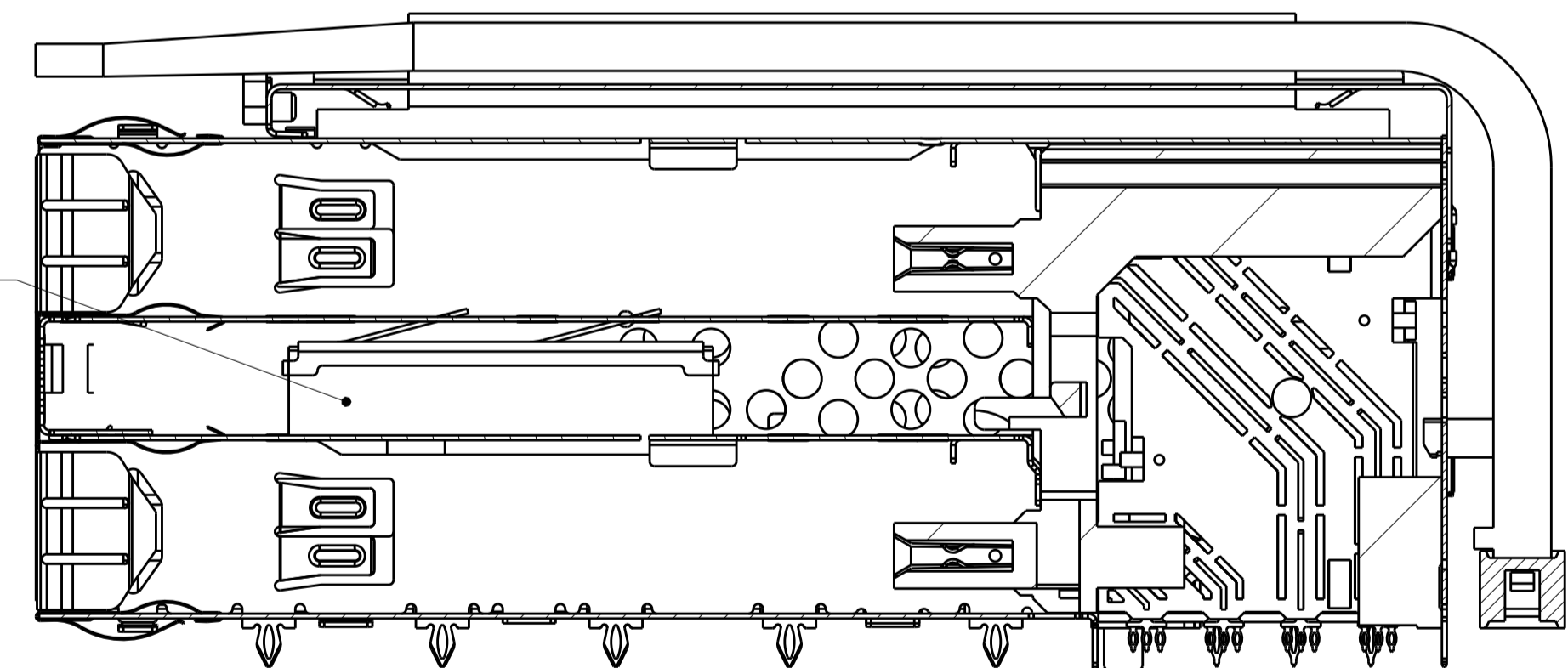
LOC		DIST		REVISIONS			
P.	LTN	DESCRIPTION	DATE	DWN	APVD		
-	-	SEE SHEET 1	-	-	-		



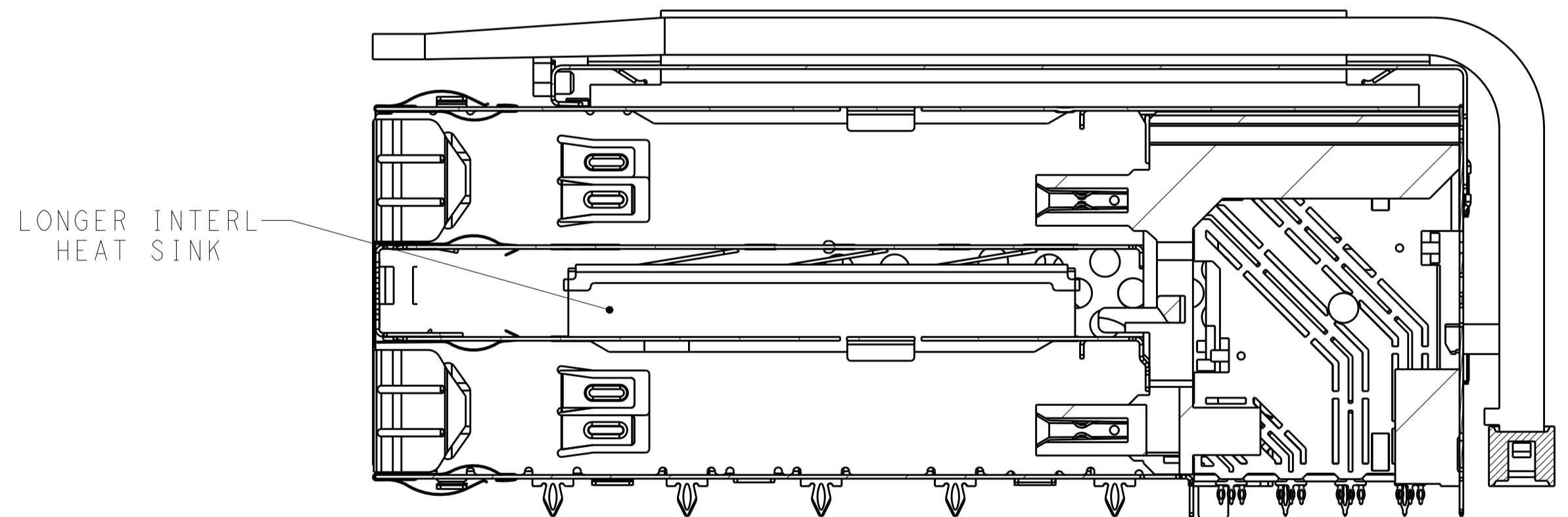
2299924-1 AS SHOWN
SCALE 2:1



2299924-5 AS SHOWN
HAS THE SAME APPEARANCE WITH 2299924-1
BUT DIFFERENT INTERNAL HEAT SINK
SCALE 2:1



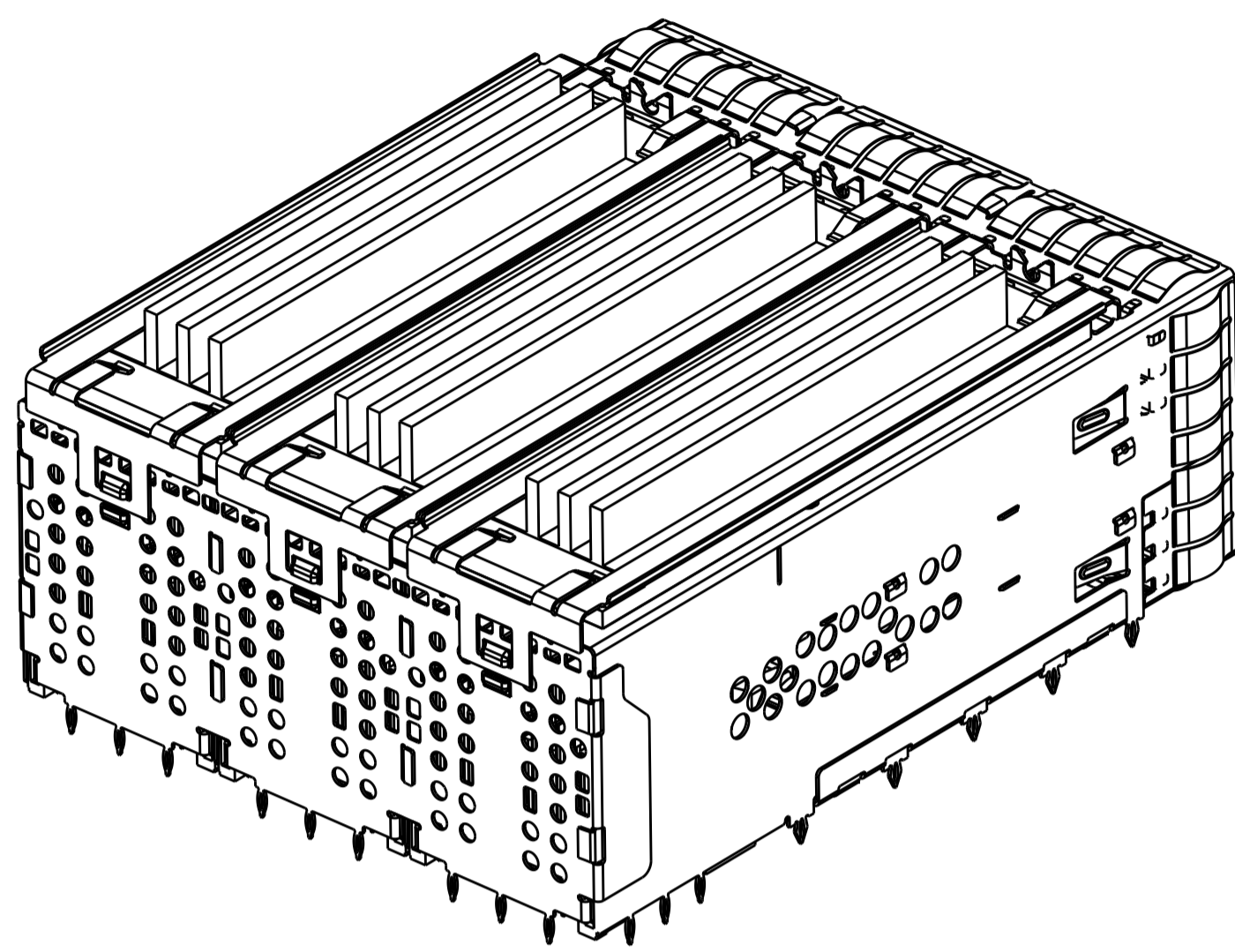
2299924-1 SECTION VIEW
SECTION V-V
SCALE 3:1



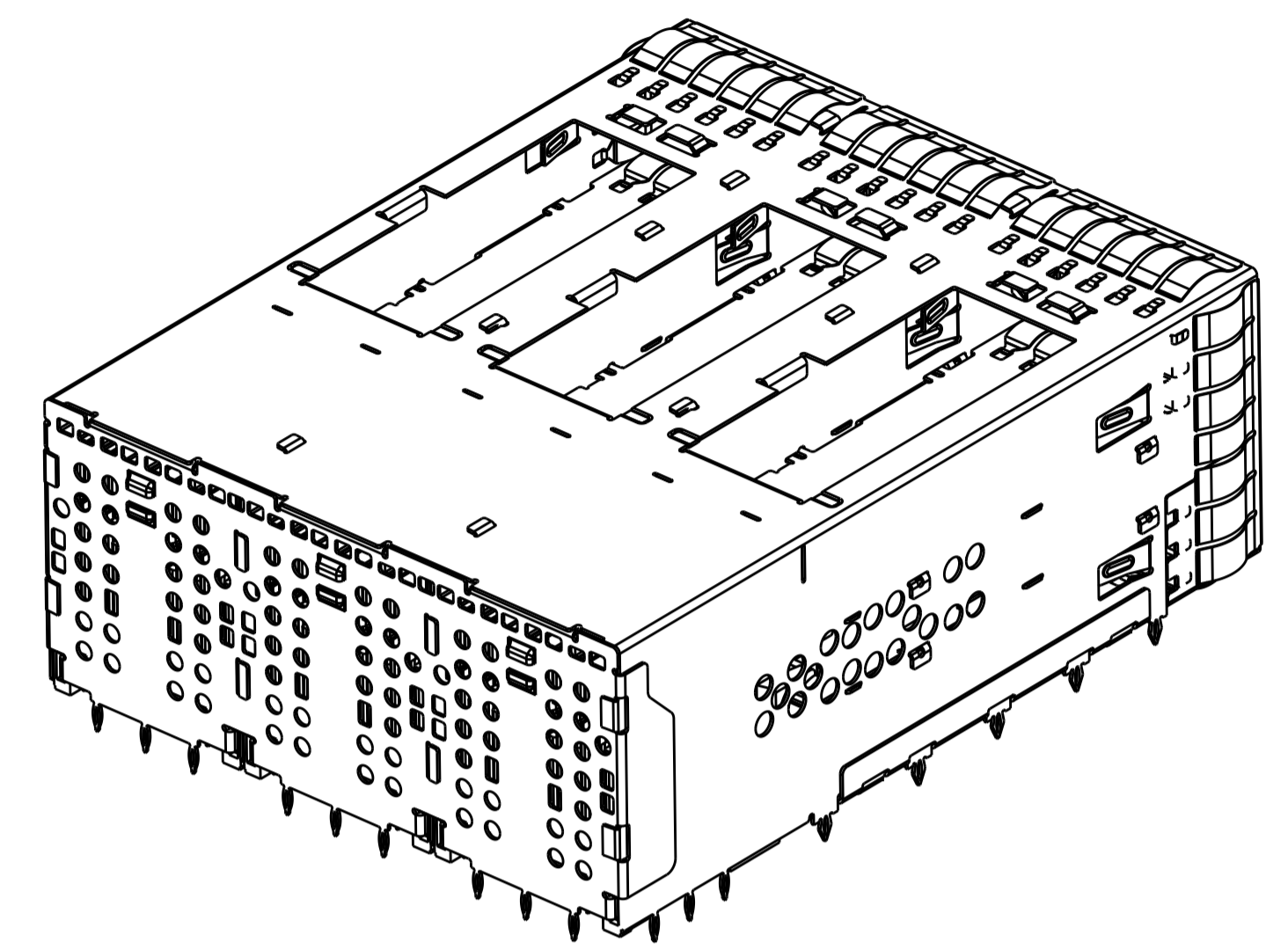
2299924-5 SECTION VIEW
THE SAME AS 2299924-1 EXCEPT THE LONGER INTER HEAT SINK
SECTION V-V
SCALE 3:1

THIS DRAWING IS A CONTROLLED DOCUMENT.		OWN: ARTHUR JIH 20JAN2016	TE Connectivity
DIMENSIONS: mm		CHK: SEAN HAN 20JAN2016	
TOLERANCES UNLESS OTHERWISE SPECIFIED:		APVD: SEAN HAN 20JAN2016	NAME: CAGE AND CONNECTOR ASSEMBLY WITH EMI SPRING FINGERS, THRU BEZEL, 2X3 ZOSFP+ STACKED WITH HS
0 PLC ±	1 PLC ±0.25	PRODUCT SPEC	SIZE: A100779C=2299924
2 PLC ±0.15	3 PLC ±	APPLICATION SPEC	RESTRICTED TO
4 PLC ±	ANGLES ±	WEIGHT	SCALE: 1:1 SHEET 2 OF 7 REV A
MATERIAL: SEE NOTE 1	FINISH: SEE NOTE 2	CUSTOMER DRAWING	

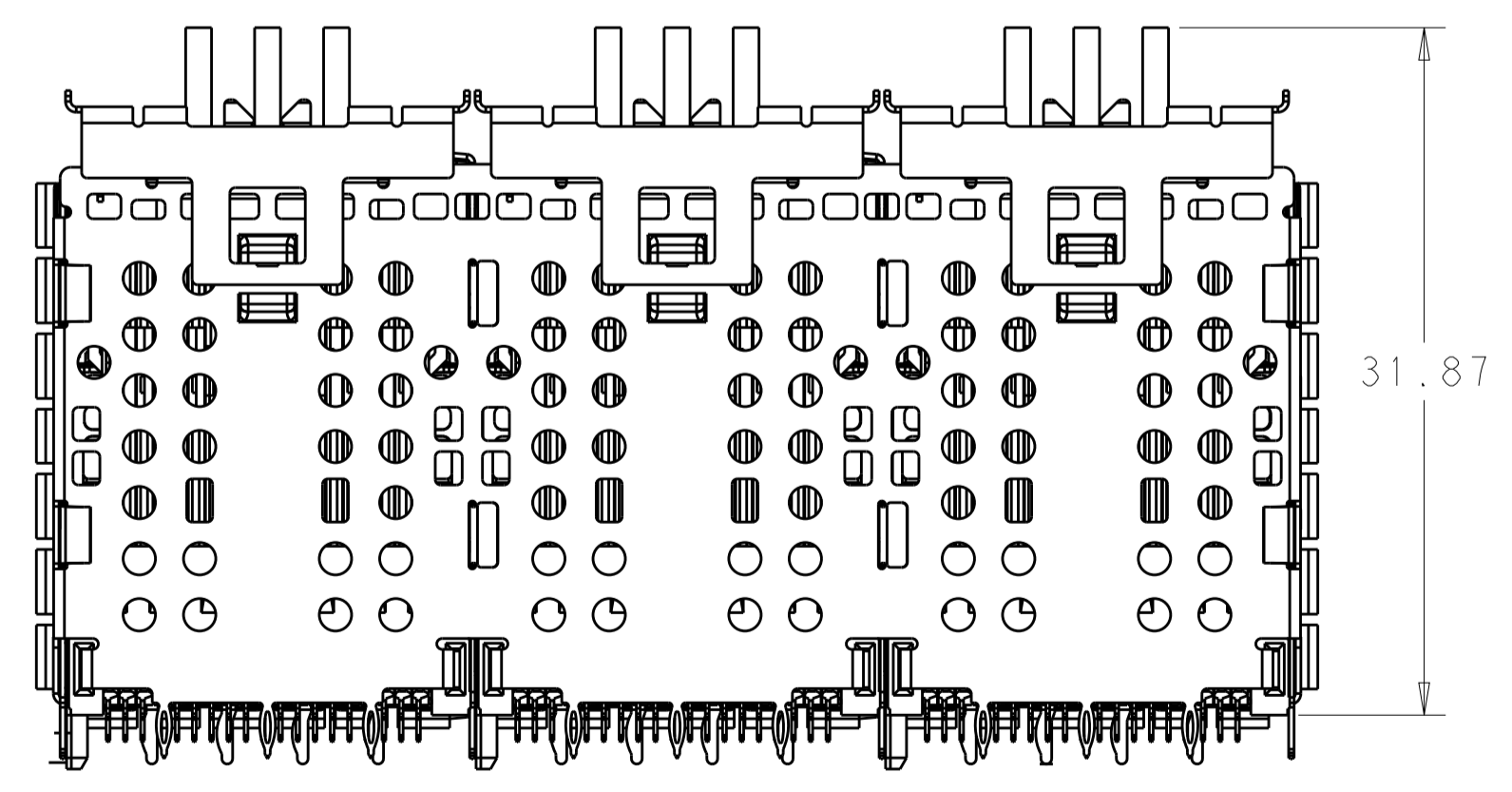
LOC		DIST		REVISIONS			
P.	LTN	DESCRIPTION	DATE	DMN	APVD		
-	-	SEE SHEET 1	-	-	-		



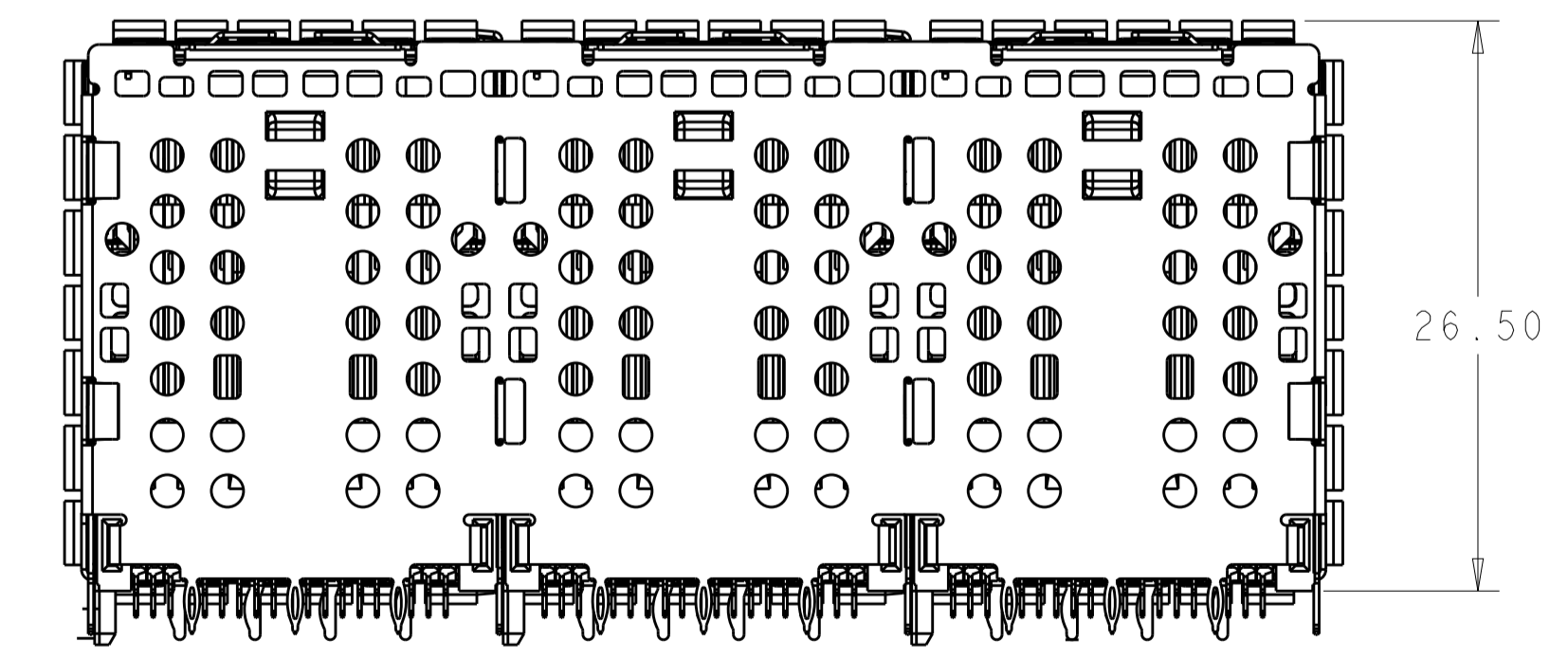
2299924-2 AS SHOWN
 THE SAME AS 2299924-5 EXCEPT
 W/O LIGHT PIPE AND ORGANIZER
 SCALE 2:1



2299924-4 AS SHOWN
 THE SAME AS 2299924-2 EXCEPT
 WITHOUT EXTERNAL HEAT SINK AND LP
 SCALE 2:1



2299924-2
 SCALE 3:1

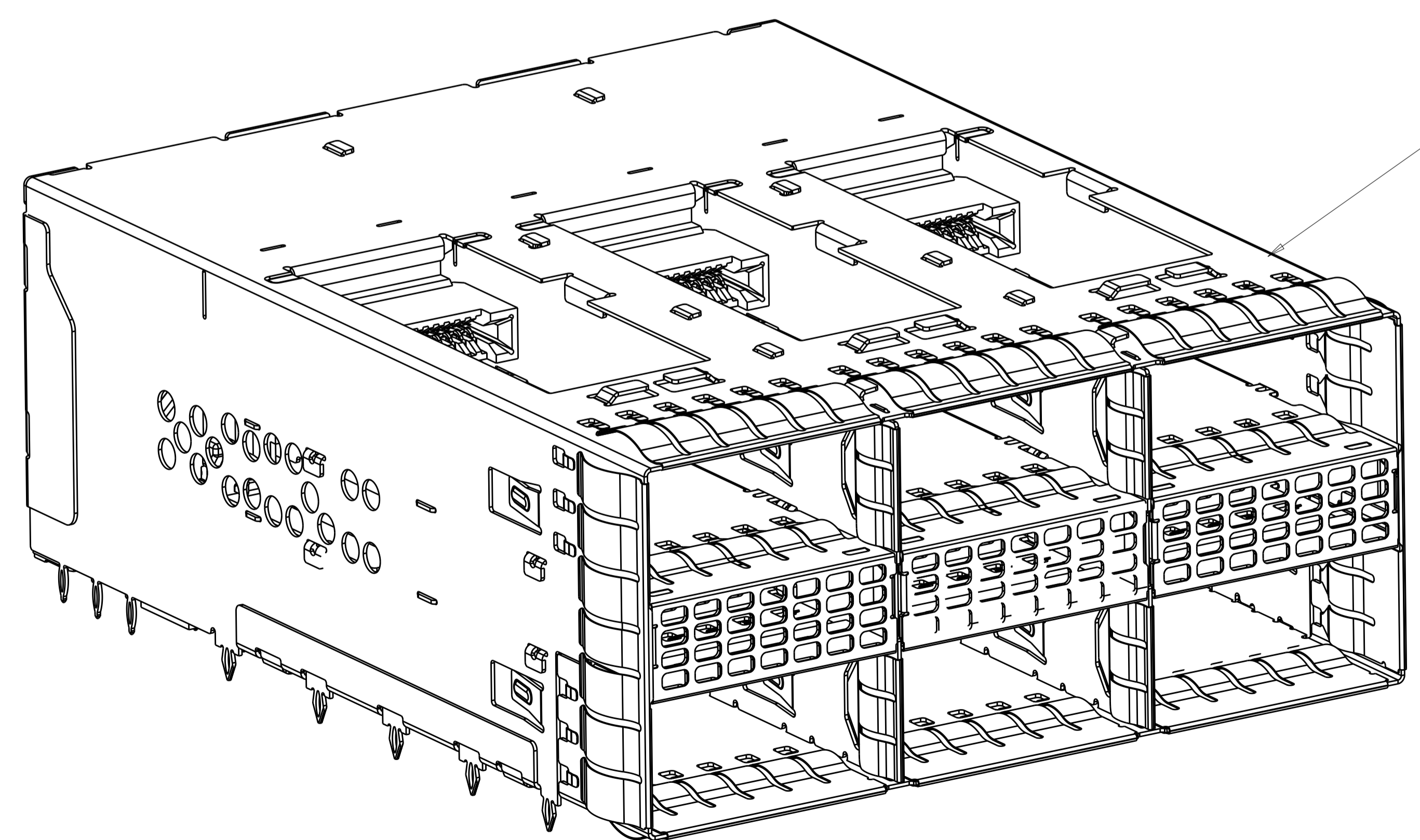
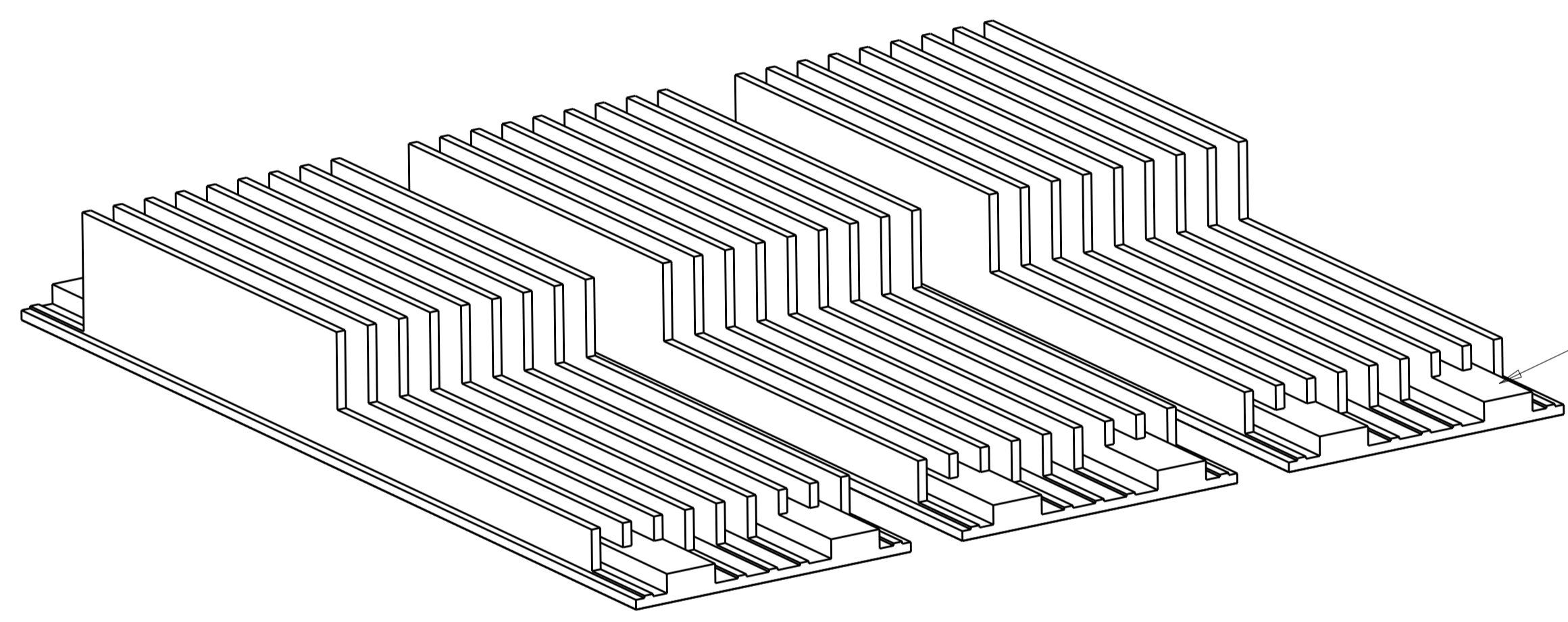
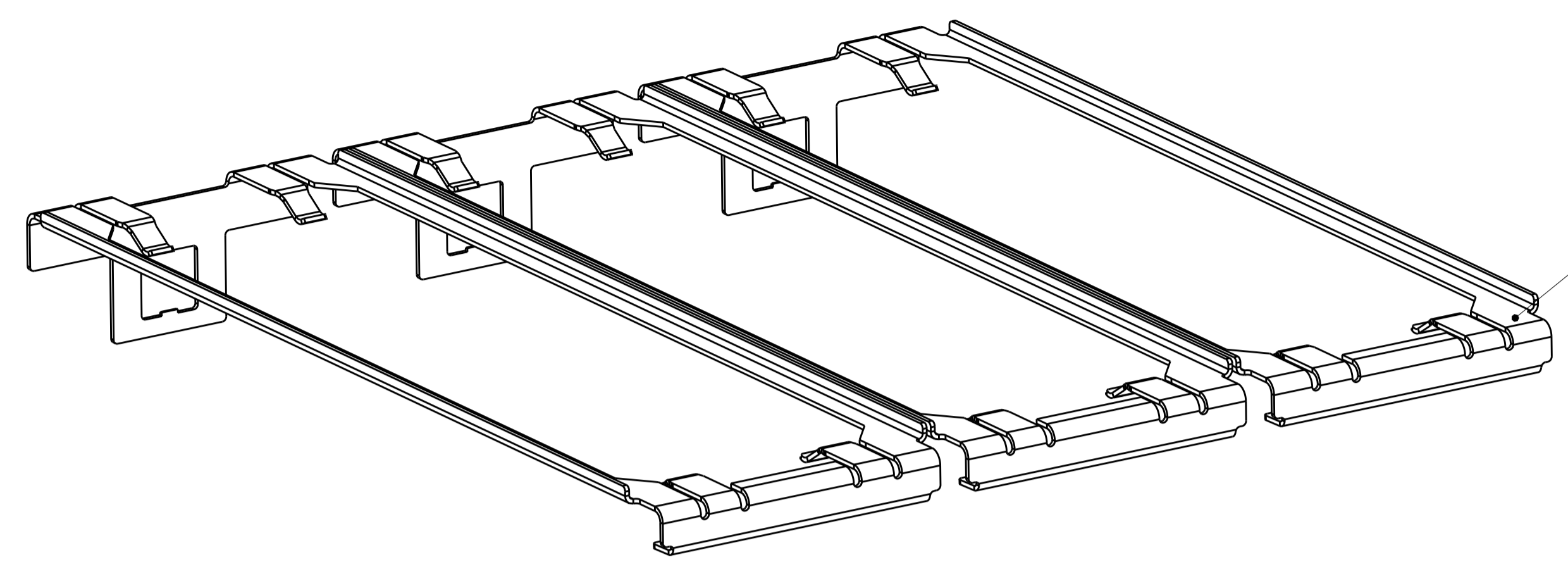


2299924-4
 SCALE 3:1

THIS DRAWING IS A CONTROLLED DOCUMENT.		DMN: ARTHUR_JLH 20JAN2016	TE Connectivity
DIMENSIONS: mm		CHK: SEAN_HAN 20JAN2016	
TOLERANCES UNLESS OTHERWISE SPECIFIED: 0 PLC ± 1 PLC ±0.25 2 PLC ±0.15 3 PLC ± 4 PLC ± ANGLES ± FINISH ±		APVD: SEAN_HAN 20JAN2016	NAME: CAGE AND CONNECTOR ASSEMBLY WITH EMI SPRING FINGERS, THRU BEZEL, 2X3 ZOSFP+ STACKED WITH HS
MATERIAL: SEE NOTE 1		PRODUCT SPEC: APPLICATION SPEC:	RESTRICTED TO: A100779C=2299924
SEE NOTE 2		WEIGHT: CUSTOMER DRAWING	SCALE: 1:1 SHEET 3 OF 7 REV A

REVISONS		DATE	DWN	APVD
P	LTH			
-	SEE SHEET 1	-	-	-

2299924-3 AS SHOWN, KIT PACKAGE

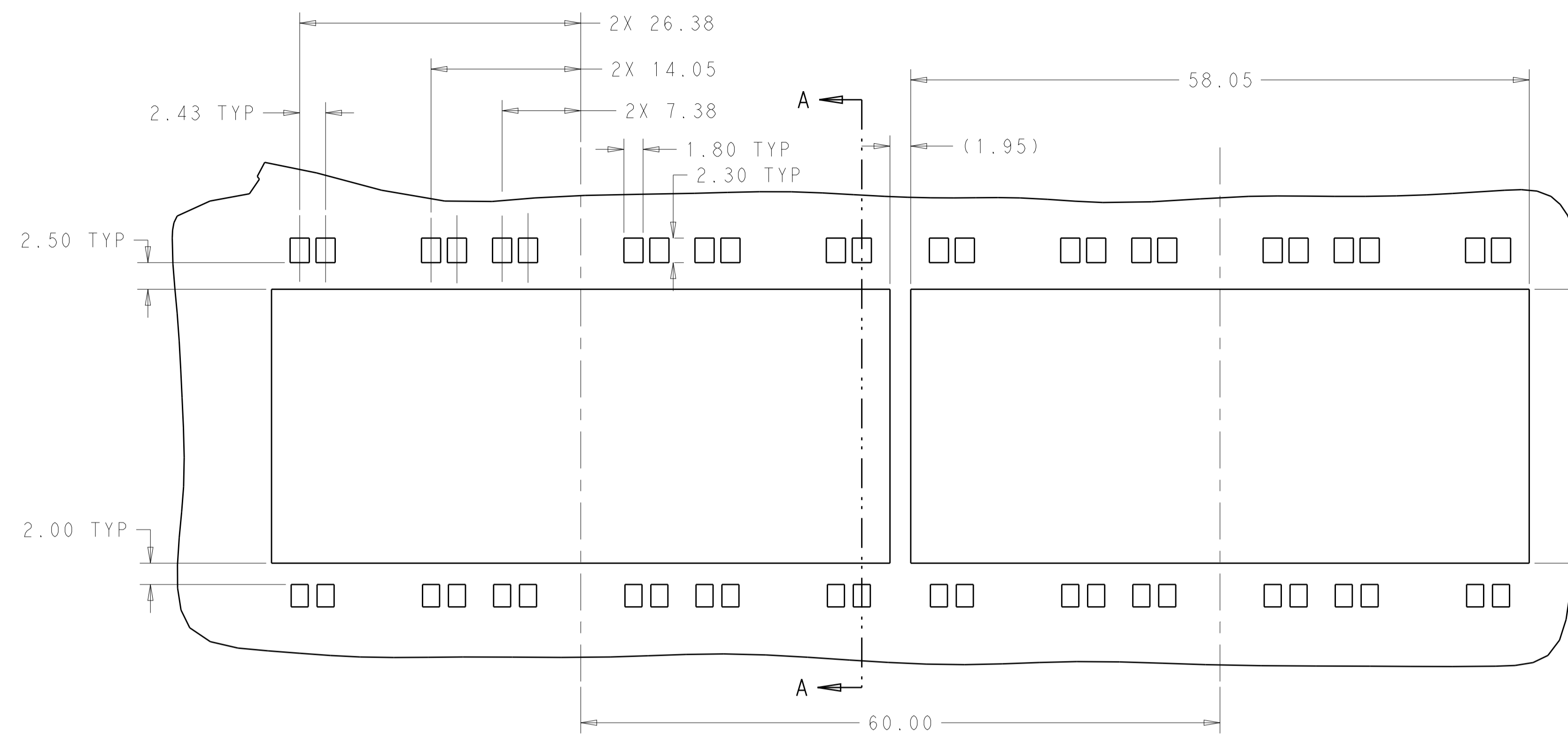


SCALE 4:1

3	1-2300832-7	HEAT SINK CLIP	3
3	1-2304280-3	HEAT SINK	2
1	2299924-4	CAGE AND CONNECTOR ASSEMBLY	1
2299924-3	PART NUMBER	DESCRIPTION	ITEM

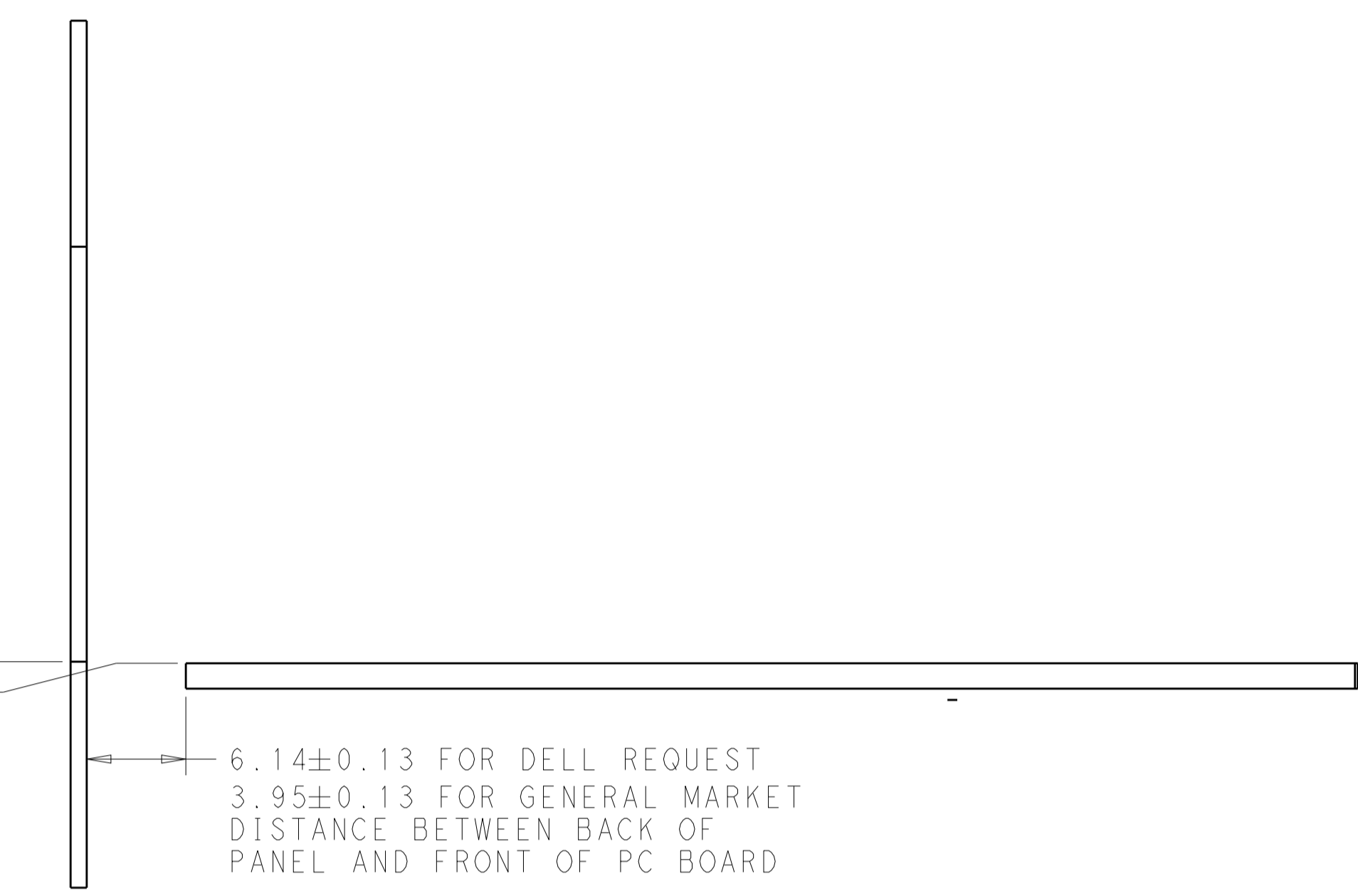
THIS DRAWING IS A CONTROLLED DOCUMENT.		DWN: ARTHUR JIN 20JAN2016	TE Connectivity
DIMENSIONS: mm		CHK: SEAN HAN 20JAN2016	
TOLERANCES UNLESS OTHERWISE SPECIFIED:		APVD: SEAN HAN 20JAN2016	NAME: CAGE AND CONNECTOR ASSEMBLY WITH EMI SPRING FINGERS, THRU BEZEL, 2X3 ZOSFP+ STACKED WITH HS
0 PLC ±	1 PLC ±0.25	PRODUCT SPEC	SIZE: CAGE CODE DRAWING NO
2 PLC ±0.15	3 PLC ±	APPLICATION SPEC	RESTRICTED TO
4 PLC ±	ANGLES ±	WEIGHT	A100779C=2299924
MATERIAL: SEE NOTE 1	FINISH: SEE NOTE 2	CUSTOMER DRAWING	SCALE 1:1 SHEET 4 OF 7 REV A

LOC		DIST		REVISIONS			
P.	LTN.	DESCRIPTION	DATE	DMN.	APVD.		
-	-	SEE SHEET 1	-	-	-		



25.70±0.10

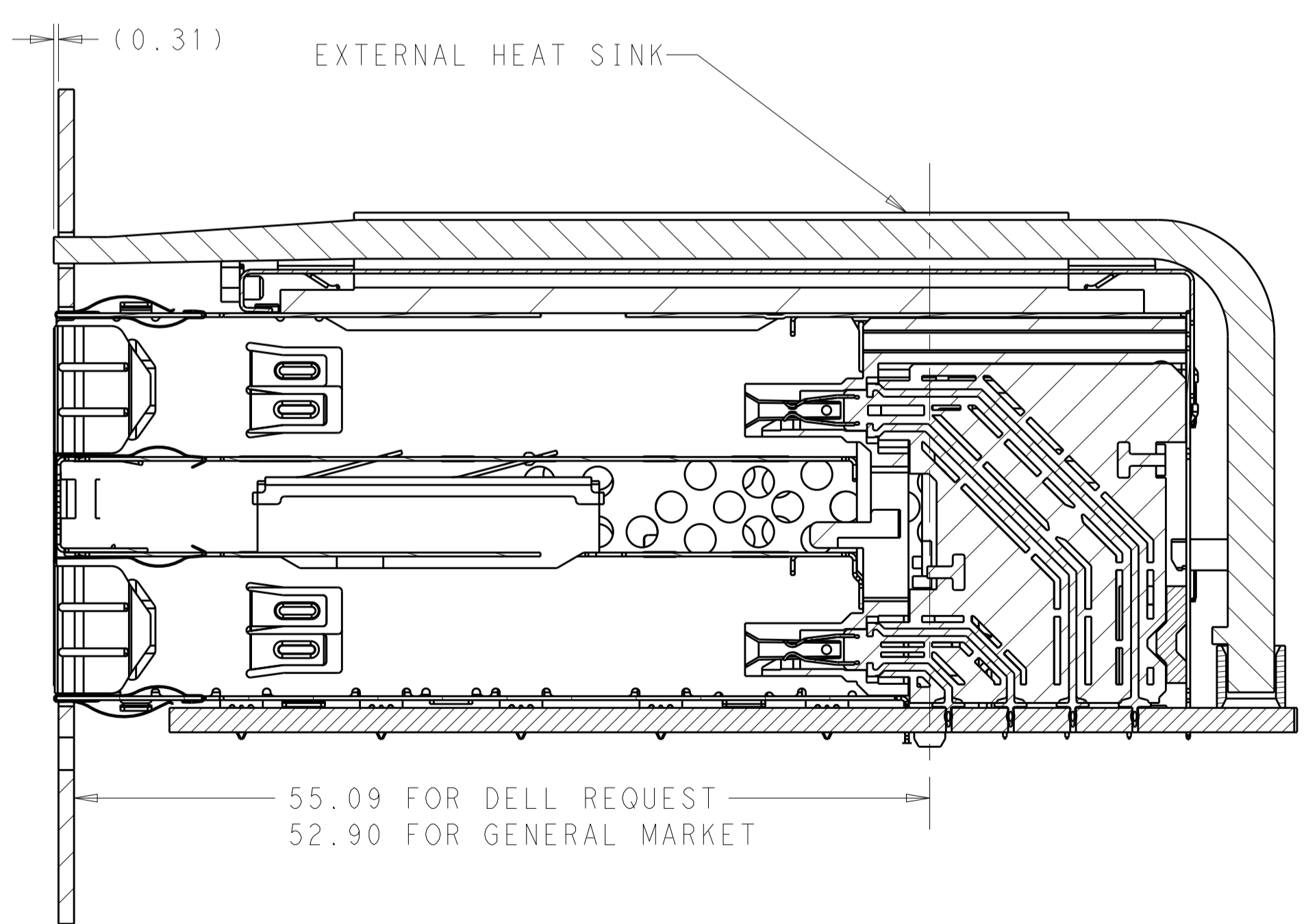
0.10±0.10
 BOTTOM OF CUTOUT IN PANEL
 TO TOP OF PC BOARD



6.14±0.13 FOR DELL REQUEST
 3.95±0.13 FOR GENERAL MARKET
 DISTANCE BETWEEN BACK OF
 PANEL AND FRONT OF PC BOARD

SCALE 3:1

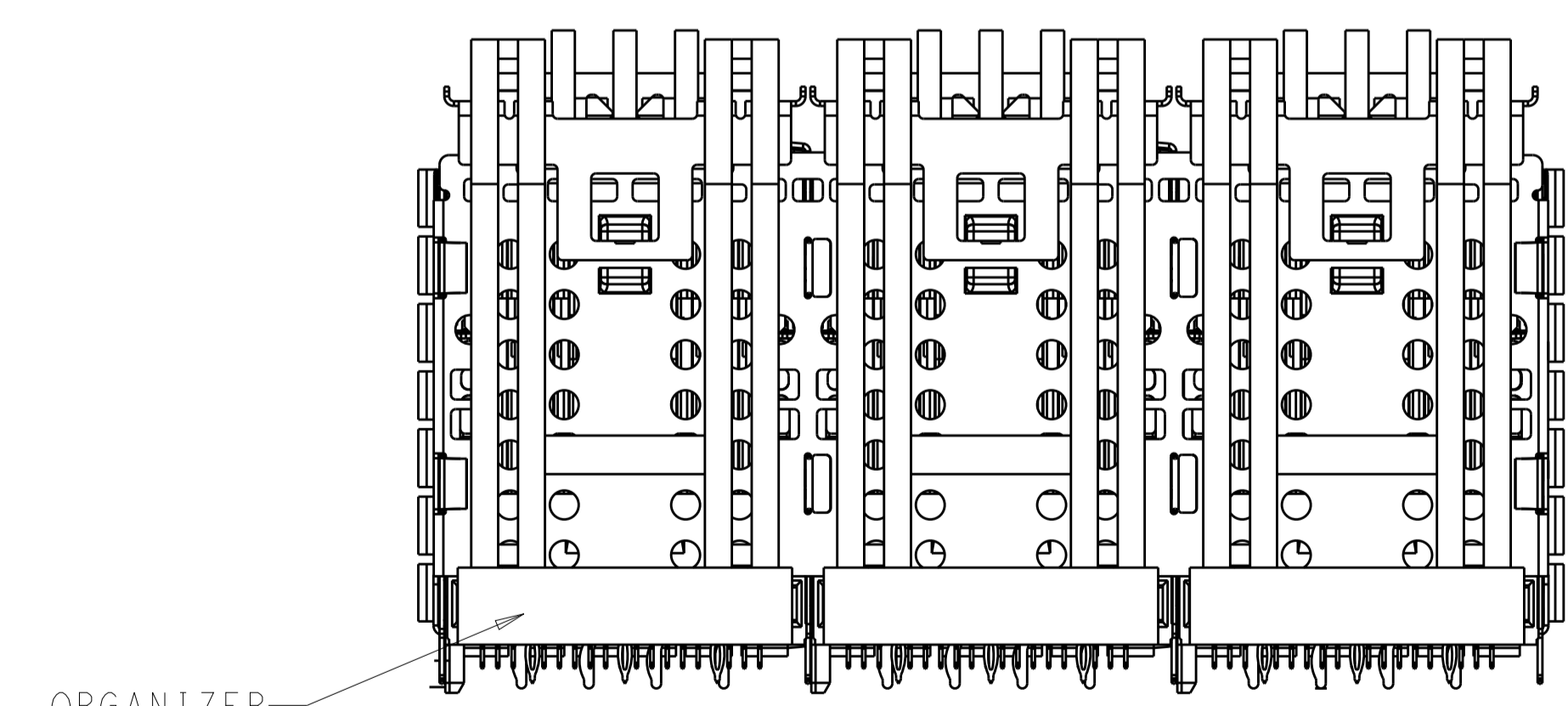
RECOMMENDED PANEL CUTOUT
 AND PC BOARD, PANEL POSITION
 SCALE 3:1



EXTERNAL HEAT SINK

55.09 FOR DELL REQUEST
 52.90 FOR GENERAL MARKET

SECTION A-A
 SCALE 3:1

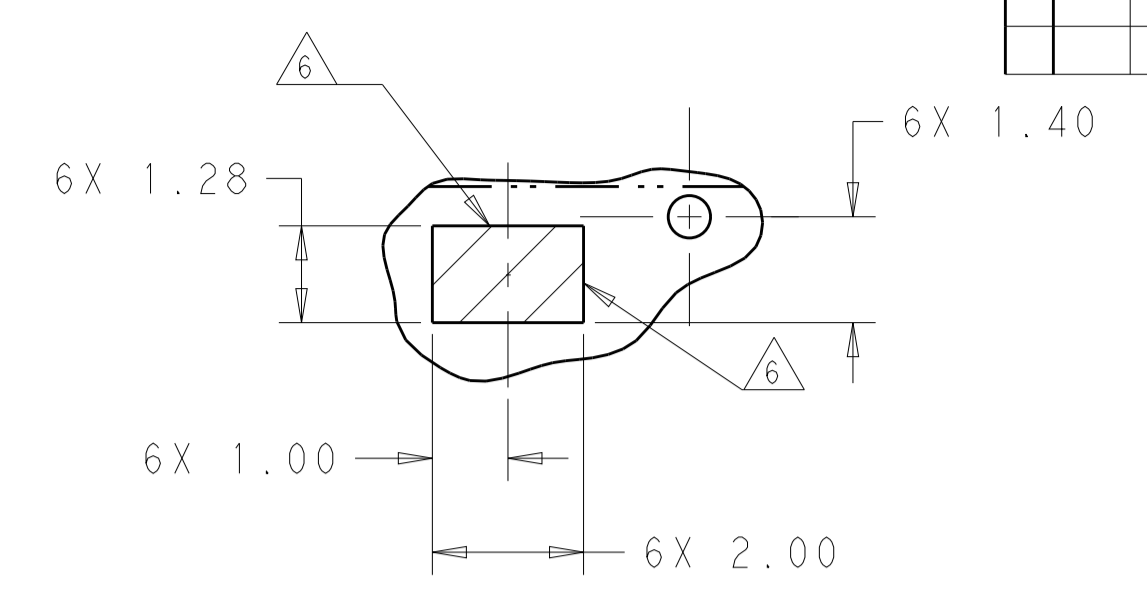
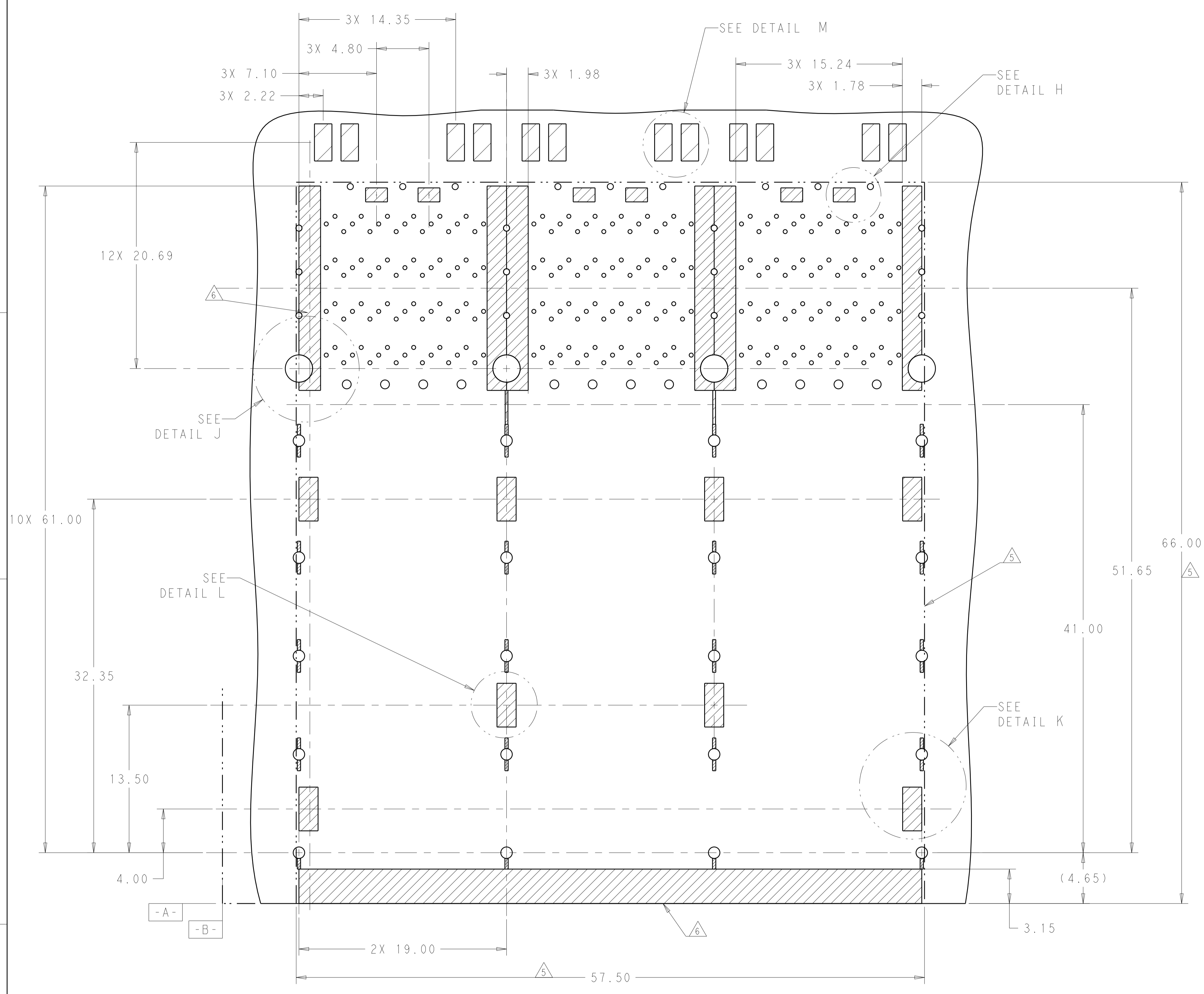


ORGANIZER

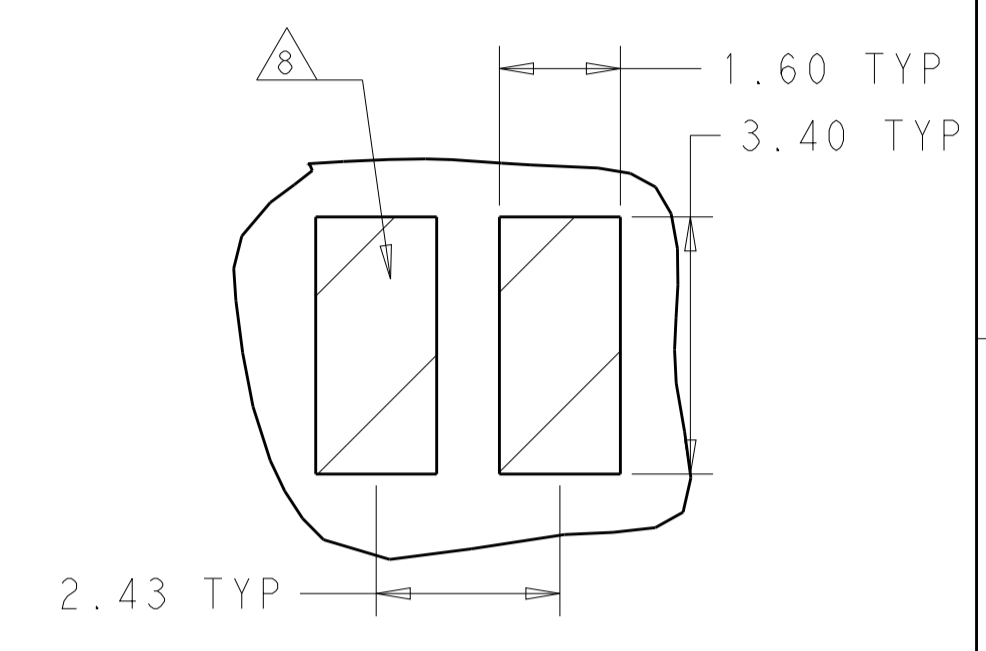
SCALE 3:1

THIS DRAWING IS A CONTROLLED DOCUMENT.		DMN: ARTHUR JLN 20JAN2016	TE Connectivity
DIMENSIONS: mm		CHK: SEAN HAN 20JAN2016	
TOLERANCES UNLESS OTHERWISE SPECIFIED:		APVD: SEAN HAN 20JAN2016	NAME: CAGE AND CONNECTOR ASSEMBLY WITH EMI SPRING FINGERS, THRU BEZEL, 2X3 ZOSFP+ STACKED WITH HS
0 PLC ±	1 PLC ±0.25	PRODUCT SPEC	SIZE: A100779
2 PLC ±0.15	3 PLC ±	APPLICATION SPEC	CAGE CODE: 2299924
4 PLC ±	ANGLES ±	WEIGHT	RESTRICTED TO
MATERIAL: SEE NOTE 1	FINISH: SEE NOTE 2	CUSTOMER DRAWING	SCALE: 1:1 SHEET 5 OF 7 REV A

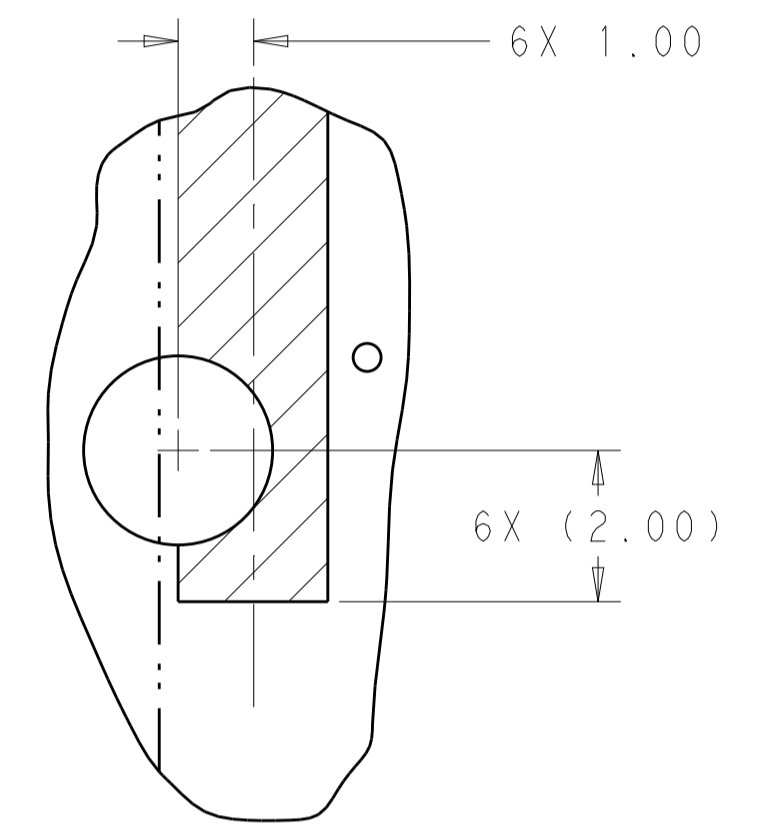
LOC		DIST		REVISIONS			
P	LTN	DESCRIPTION	DATE	DMN	APVD		
-	-	SEE SHEET 1	-	-	-		



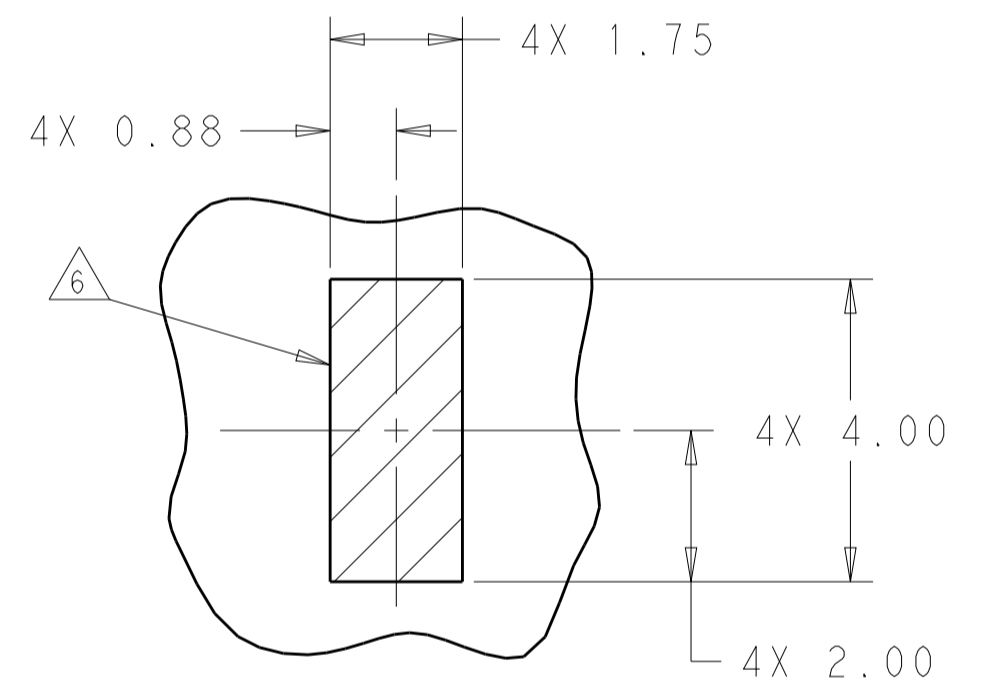
DETAIL H
SCALE 10:1



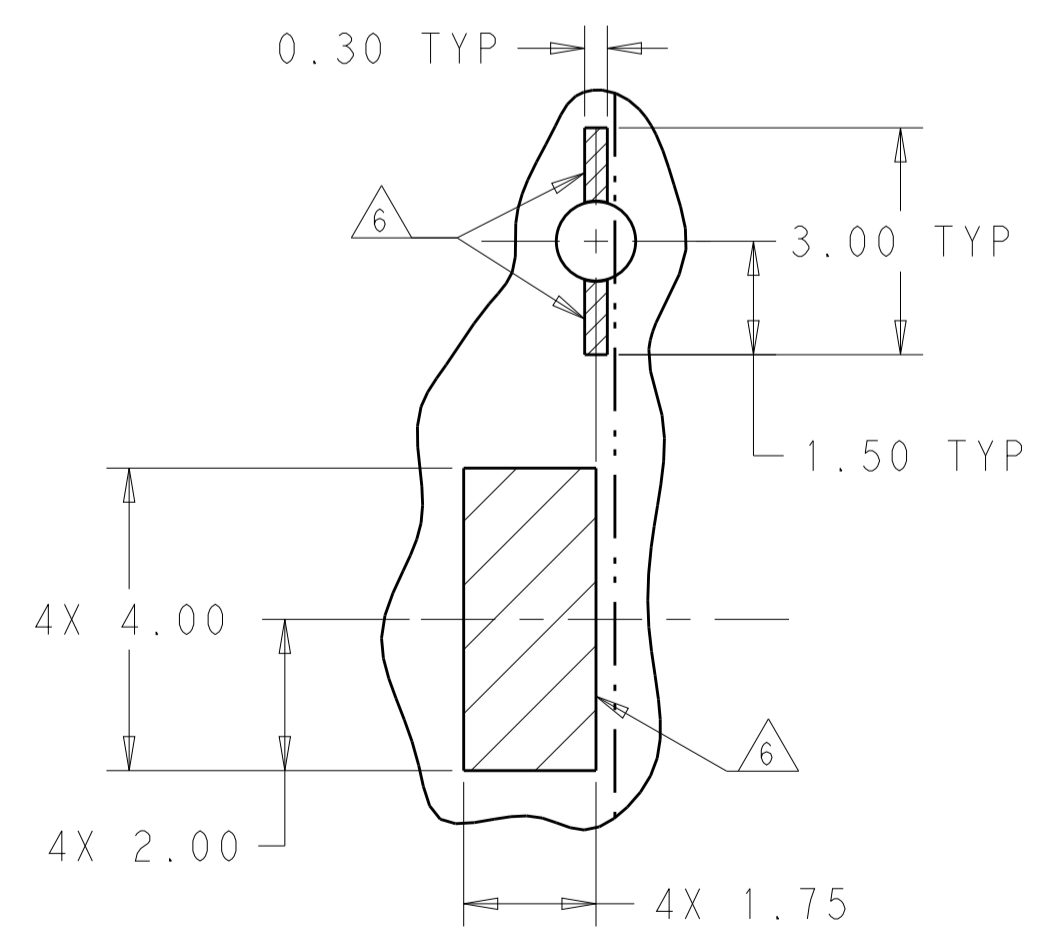
DETAIL M
LED PADS
SCALE 10:1



DETAIL J
SCALE 10:1



DETAIL L
SCALE 10:1



DETAIL K
SCALE 10:1

KEEPOUT AREAS COMPONENT
SIDE OF BOARD FOR 4 LP
SCALE 5:1

THIS DRAWING IS A CONTROLLED DOCUMENT.		OWN: ARTHUR JIH 20JAN2016	TE Connectivity
DIMENSIONS: mm		CHK: SEAN HAN 20JAN2016	
TOLERANCES UNLESS OTHERWISE SPECIFIED:		APVD: SEAN HAN 20JAN2016	NAME: CAGE AND CONNECTOR ASSEMBLY WITH EMI SPRING FINGERS, THRU BEZEL, 2X3 ZOSFP+ STACKED WITH HS
0 PLC ±0.25	1 PLC ±0.15	PRODUCT SPEC	SIZE: CAGE CODE DRAWING NO. RESTRICTED TO
2 PLC ±0.15	3 PLC ±0.15	APPLICATION SPEC	A100779C=2299924
4 PLC ±0.15	ANGLES ±0.15	FINISH	SCALE 1:1 SHEET 7 OF 7 REV A
MATERIAL: SEE NOTE 1	FINISH: SEE NOTE 2	WEIGHT: CUSTOMER DRAWING	