



Chipsmall Limited consists of a professional team with an average of over 10 year of expertise in the distribution of electronic components. Based in Hongkong, we have already established firm and mutual-benefit business relationships with customers from,Europe,America and south Asia,supplying obsolete and hard-to-find components to meet their specific needs.

With the principle of "Quality Parts,Customers Priority,Honest Operation,and Considerate Service",our business mainly focus on the distribution of electronic components. Line cards we deal with include Microchip,ALPS,ROHM,Xilinx,Pulse,ON,Everlight and Freescale. Main products comprise IC,Modules,Potentiometer,IC Socket,Relay,Connector.Our parts cover such applications as commercial,industrial, and automotives areas.

We are looking forward to setting up business relationship with you and hope to provide you with the best service and solution. Let us make a better world for our industry!



Contact us

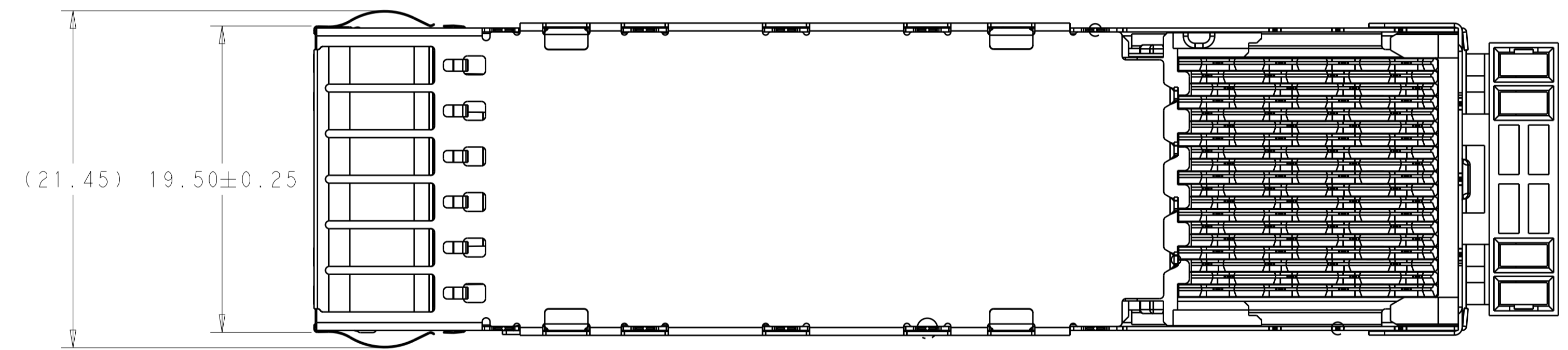
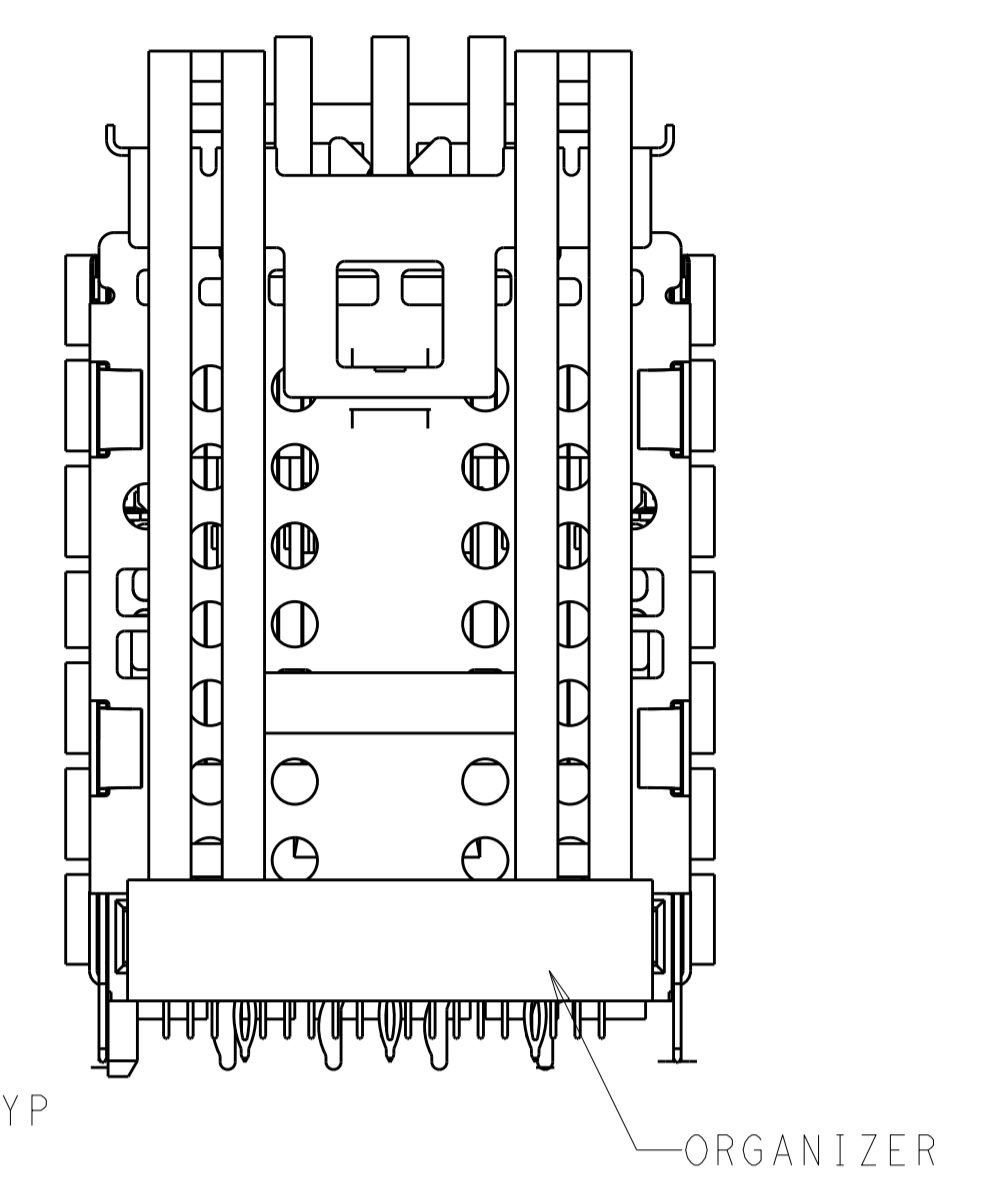
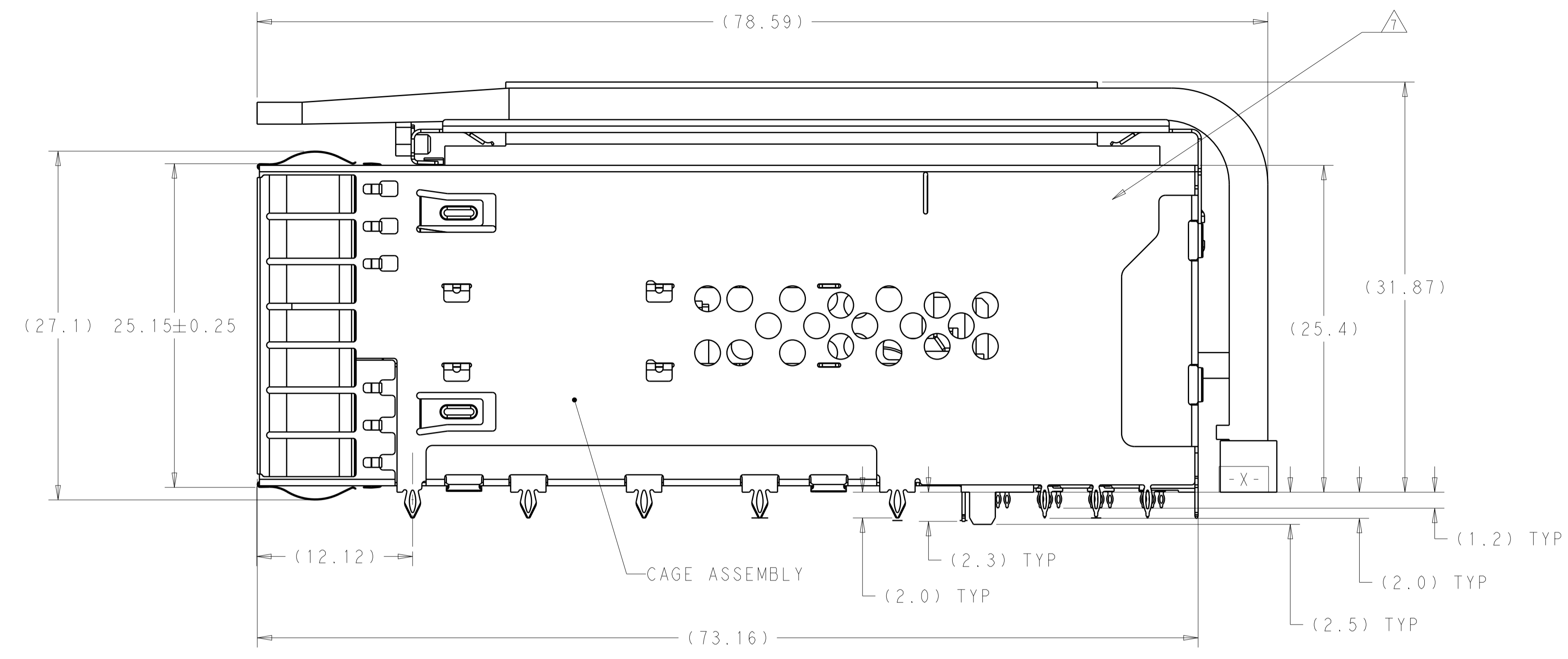
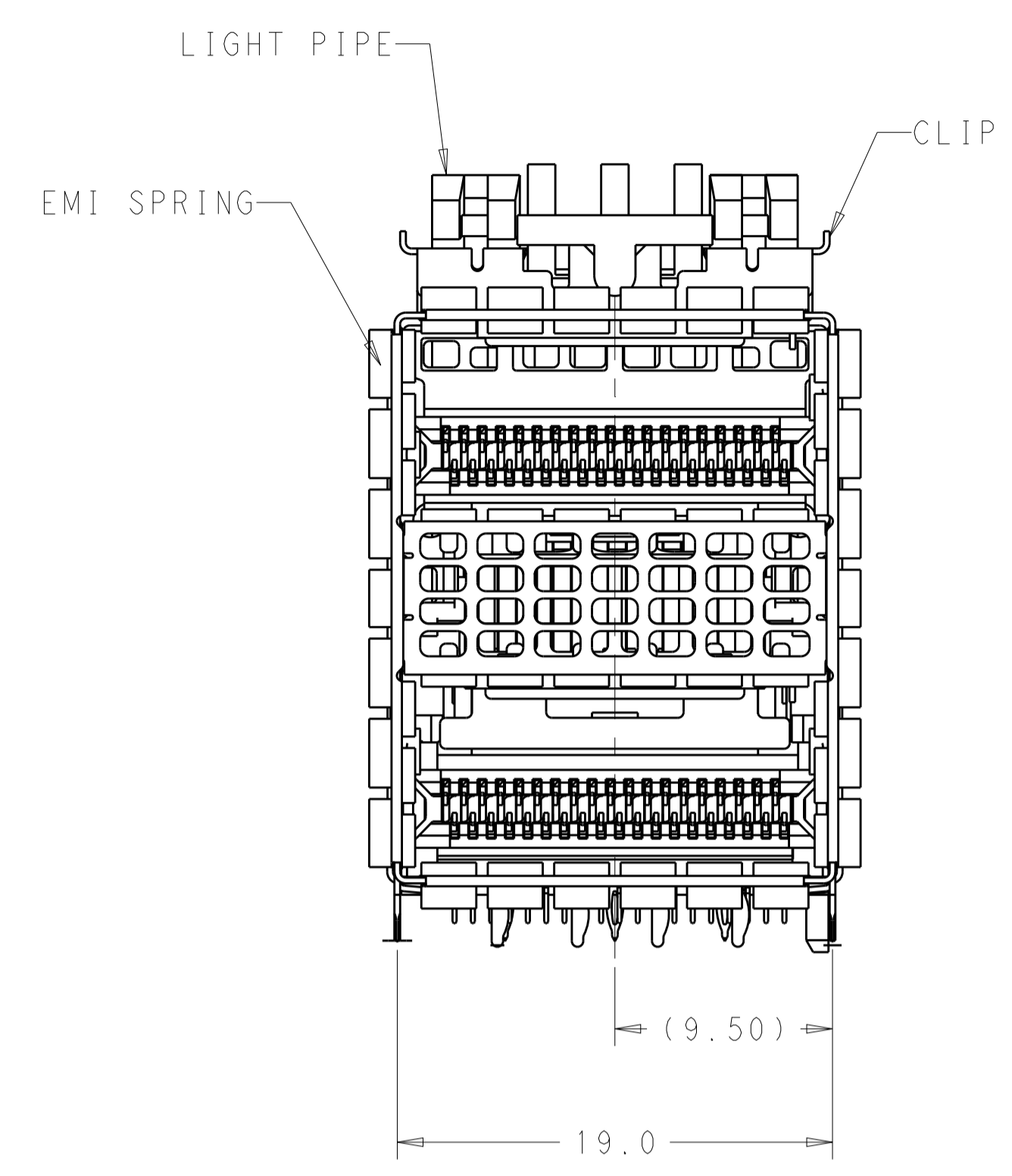
Tel: +86-755-8981 8866 Fax: +86-755-8427 6832

Email & Skype: info@chipsmall.com Web: www.chipsmall.com

Address: A1208, Overseas Decoration Building, #122 Zhenhua RD., Futian, Shenzhen, China



LOC	DIST	REV	DATE	BY	CHK	APPV
-	-	A	24MAR2017	AJ	SH	



1. MATERIALS:
 CAGE ASSEMBLY- NICKEL SILVER ALLOY PER ASTM B 122.
 EMI SPRING- COPPER ALLOY, NICKEL PLATED.
 HOUSING- POLYESTER LCP WITH 94V-0.
 CHICKLET- POLYESTER LCP WITH 94V-0.
 CONTACT- COPPER ALLOY.
 LIGHTPIPE- POLYCARBONATE WITH 94V-0.

- △ CONTACT FINISH: 0.76µm GOLD ON MATING END, 1.25µm MATT TIN ON SOLDER TAIL, ALL OVER 1.27µm NICKEL.
- △ DATUM AND BASIC DIMENSION ESTABLISHED BY CUSTOMER.
- 4. MINIMUM PCB THICKNESS OF 1.57.
- △ THE ENTIRE AREA OF THE CONNECTOR FOOTPRINT, INDICATED BY THE DASHED LINE, TO BE CONSIDERED THE KEEPOUT AREA FOR COMPONENTS.
- △ CROSS-HATCHED AREAS REPRESENT ZONES ON THE PCB THAT COME IN CONTACT WITH OR BE IN CLOSE PROXIMITY TO THE PLASTIC HOUSING OR THE CONNECTOR CAGE. INDICATED AREAS TO BE CONSIDERED TRACE FREE.
- △ PART NUMBER AND DATE CODE MAKED IN APPROXIMATE AREA SHOWN.
- △ HATCHED AREA IS PLACEMENT ZONE FOR LED. LED SHOULD BE CENTERED WITHIN ZONE. RECOMMEND 0805 PACKAGE.

CONTACT FINISH	DESCRIPTION	PART NUMBER
△2	WITH HS & WITH LP	2299940-5
△2	WITHOUT UPPER HS OR LP	2299940-4
△2	WITH HS & WITHOUT LP	2299940-3
△2	WITH HS & WITHOUT LP	2299940-2
△2	WITH HS & WITH LP	2299940-1

THIS DRAWING IS A CONTROLLED DOCUMENT. DWG: ARTHUR JLN 02FEB2016
 CHK: SEAN HAN 02FEB2016
 APPV: SEAN HAN 02FEB2016

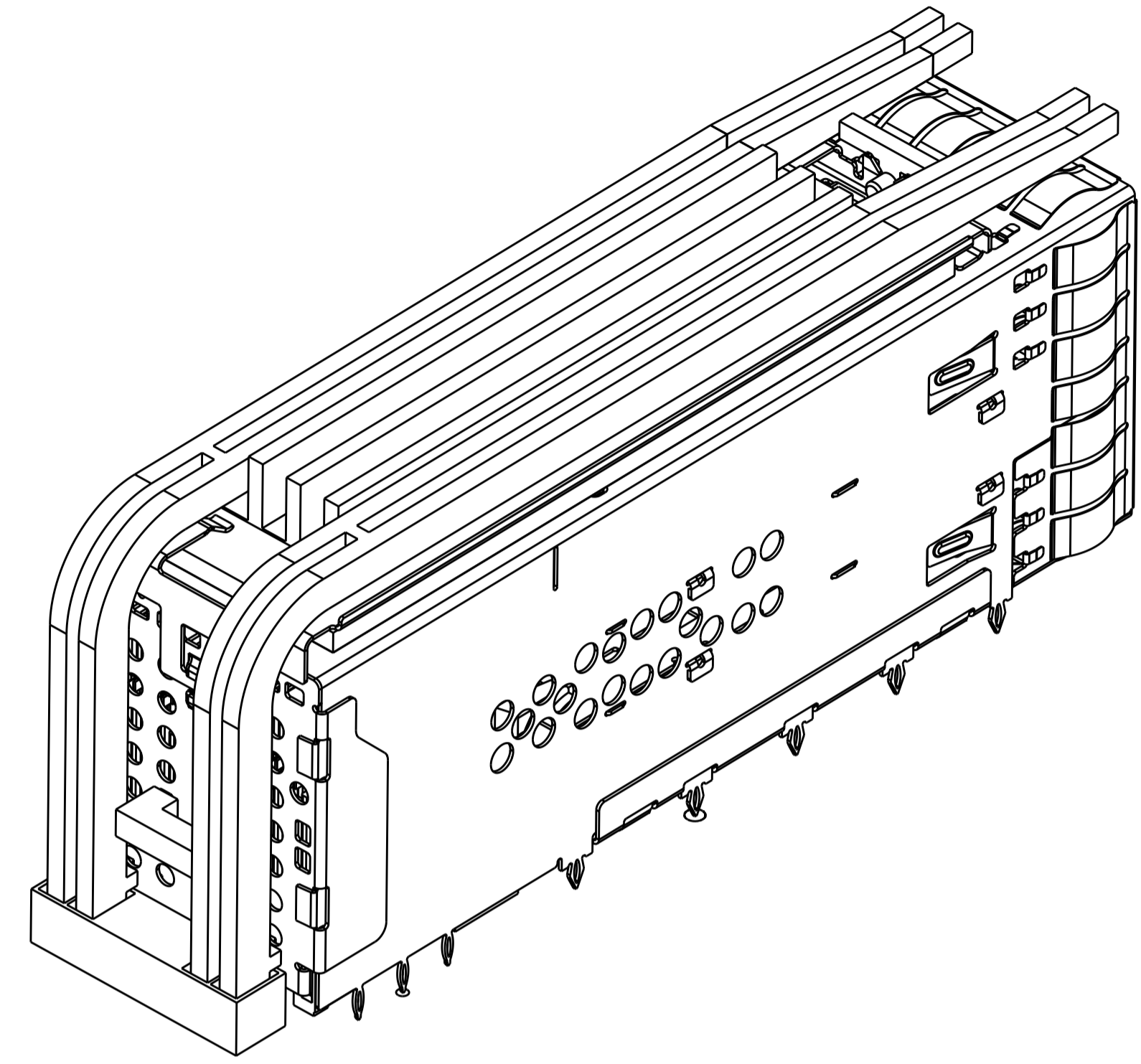
STE TE Connectivity

NAME: CAGE AND CONNECTOR ASSEMBLY WITH EMI SPRING FINGERS, THRU BEZEL, 2X1 ZQSP+ STACKED WITH HS

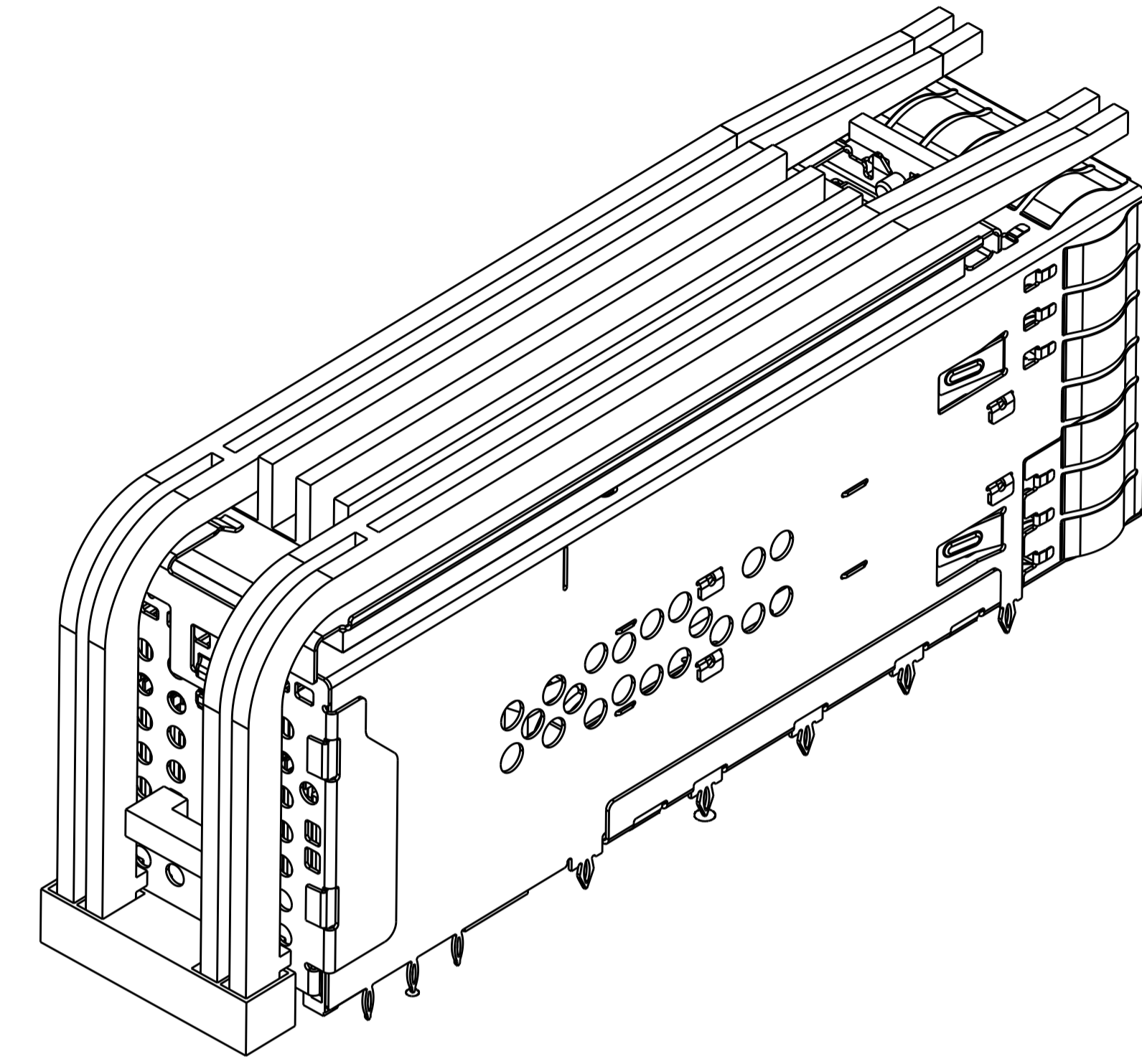
SIZE: A1 CAGE CODE: 00779 DRAWING NO: 2299940 RESTRICTED TO: -

MATERIAL: SEE NOTE 1 FINISH: - WEIGHT: - CUSTOMER DRAWING SCALE: 4:1 SHEET: 1 OF 7 REV: A

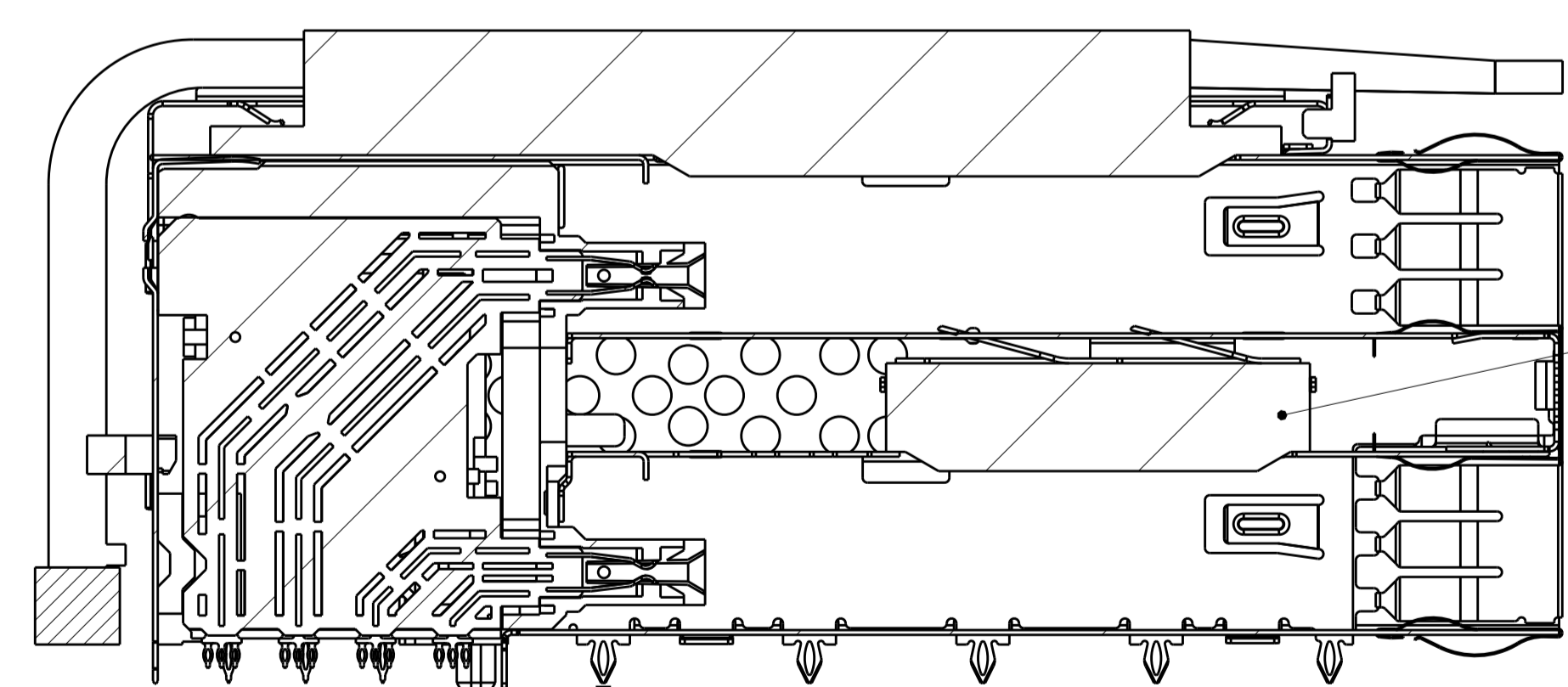
LOC		DIST		REVISIONS			
P.	LTN	DESCRIPTION	DATE	DWN	APVD		
-	-	SEE SHEET 1	-	-	-		



2299940-1 AS SHOWN
 SCALE 3:1

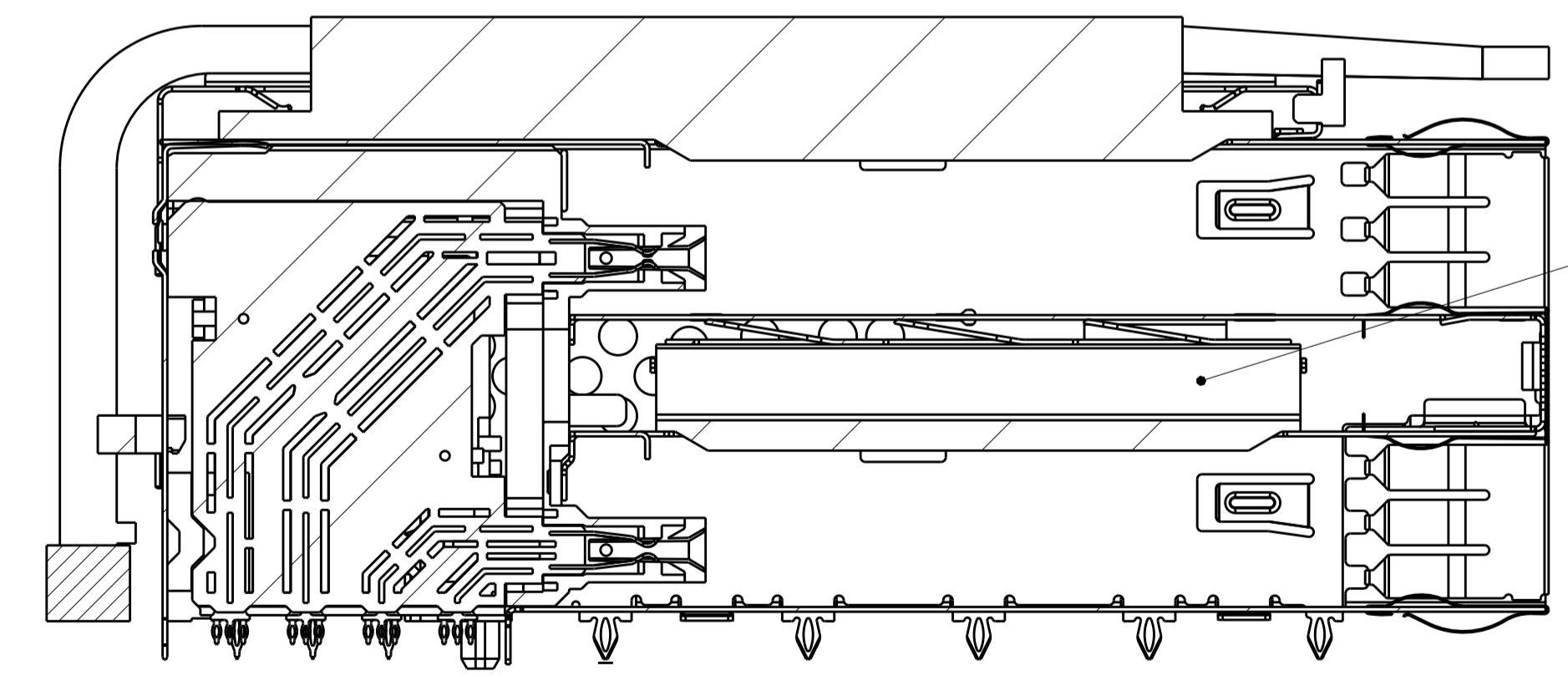


2299940-5 AS SHOWN
 THE SAME APPEARANCE WITH 2299940-1
 EXCEPT WITH DIFFERENT INTERNAL HEAT SINK
 SCALE 3:1



SHORT INTERNAL
 HEAT SINK

2299940-1 WITH SHORT INTERNAL HEAT SINK
 SECTION U-U
 SCALE 3:1

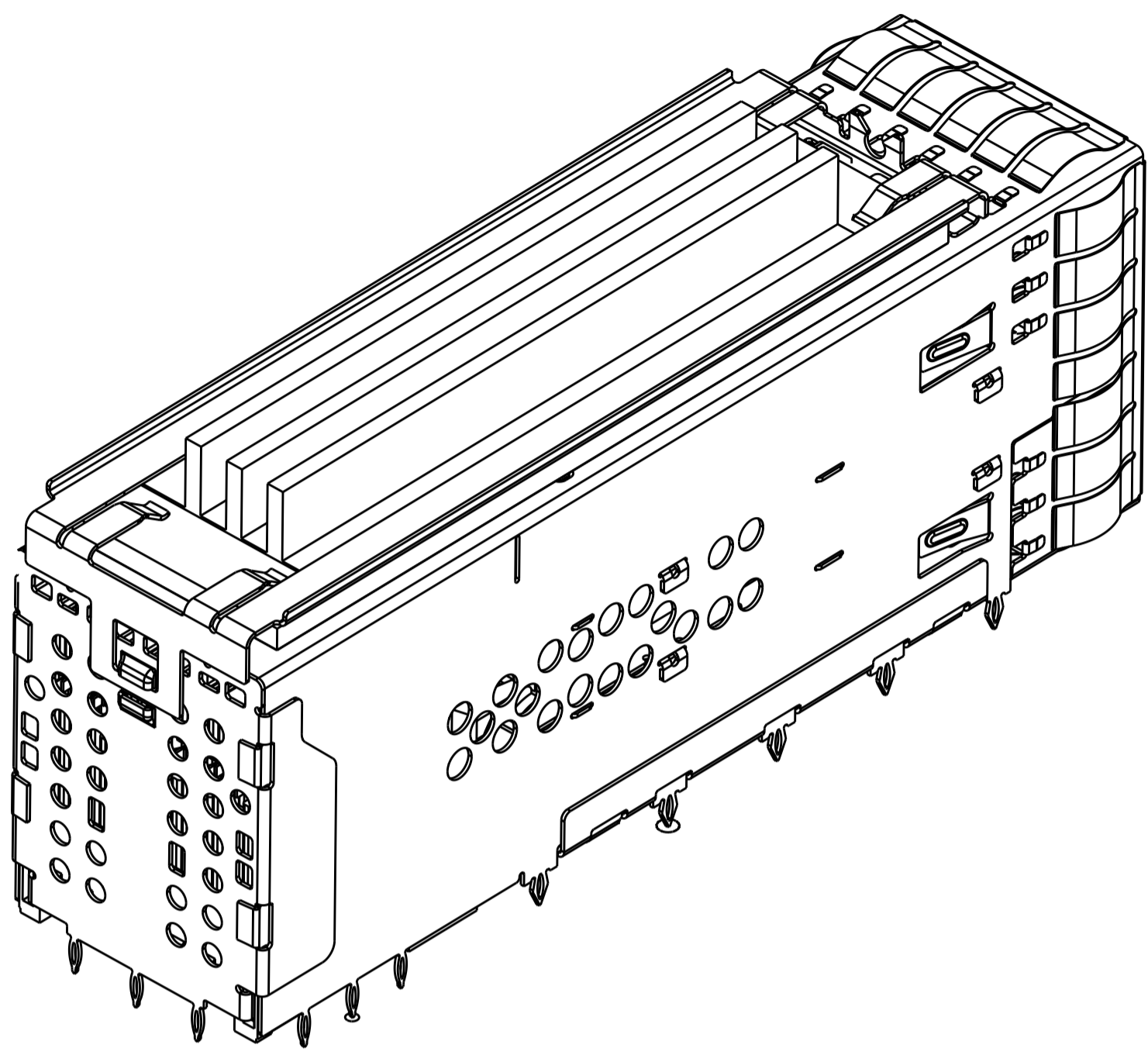


LONGER INTERNAL
 HEAT SINK

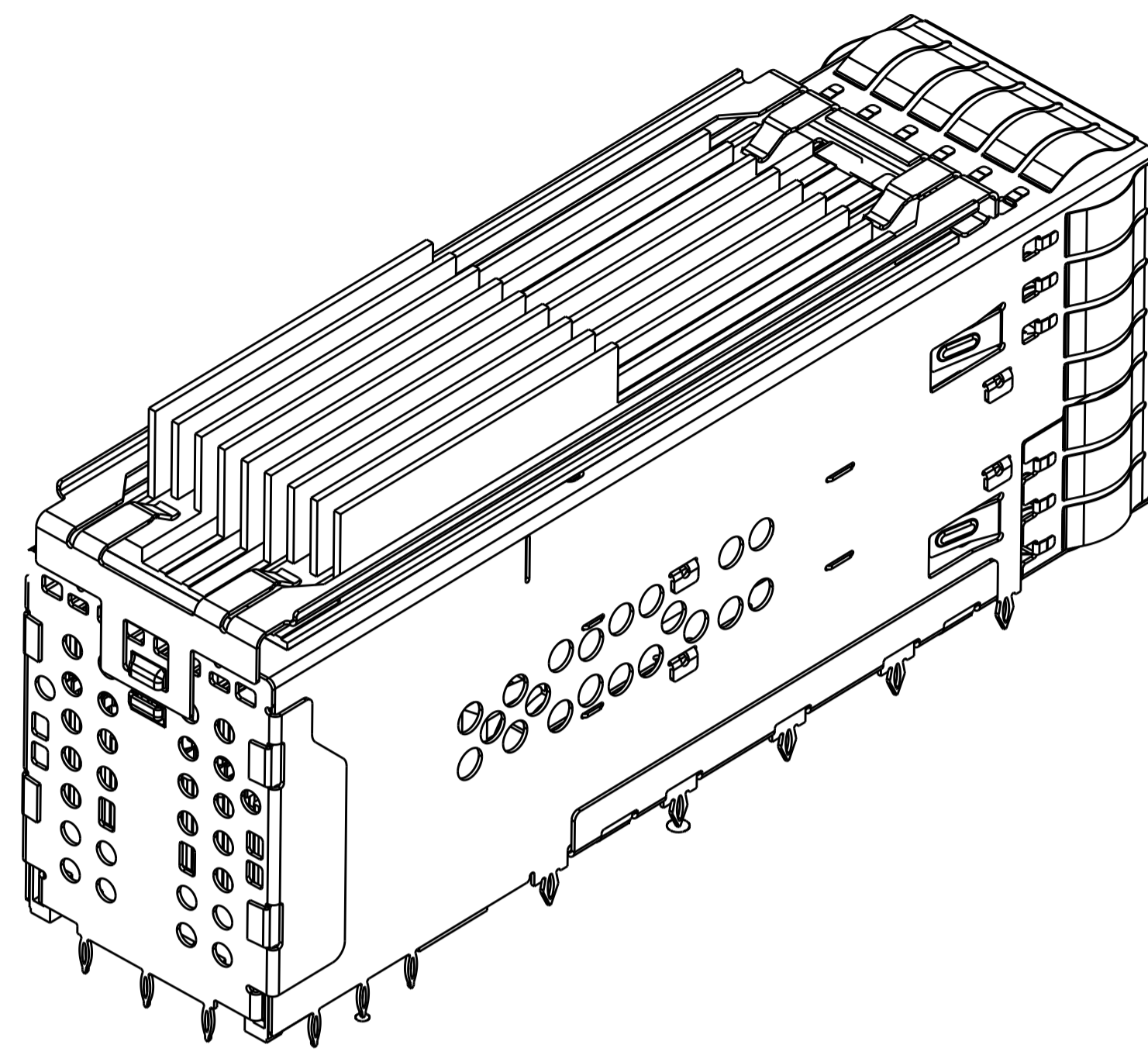
2299940-5 WITH LONGER INTERNAL HEAT SINK
 SECTION U-U
 SCALE 3:1

THIS DRAWING IS A CONTROLLED DOCUMENT.		DWN: ARTHUR JLN 02FEB2016	TE Connectivity
DIMENSIONS:		CHK: SEAN HAN 02FEB2016	
mm	0 PLC ±	APVD: SEAN HAN 02FEB2016	NAME: CAGE AND CONNECTOR ASSEMBLY WITH EMI SPRING FINGERS, THRU BEZEL, 2X1 ZOSFP+ STACKED WITH HS
	1 PLC ±0.25	PRODUCT SPEC	
	2 PLC ±0.15	APPLICATION SPEC	SIZE: A1
	3 PLC ±	WEIGHT	CAGE CODE: 100779
	4 PLC ±	CUSTOMER DRAWING	DRAWING NO: 2299940
	ANGLES ±	SCALE: 1:1	SHEET 2 OF 7
MATERIAL: SEE NOTE 1	FINISH: -	RESTRICTED TO: -	REV: A

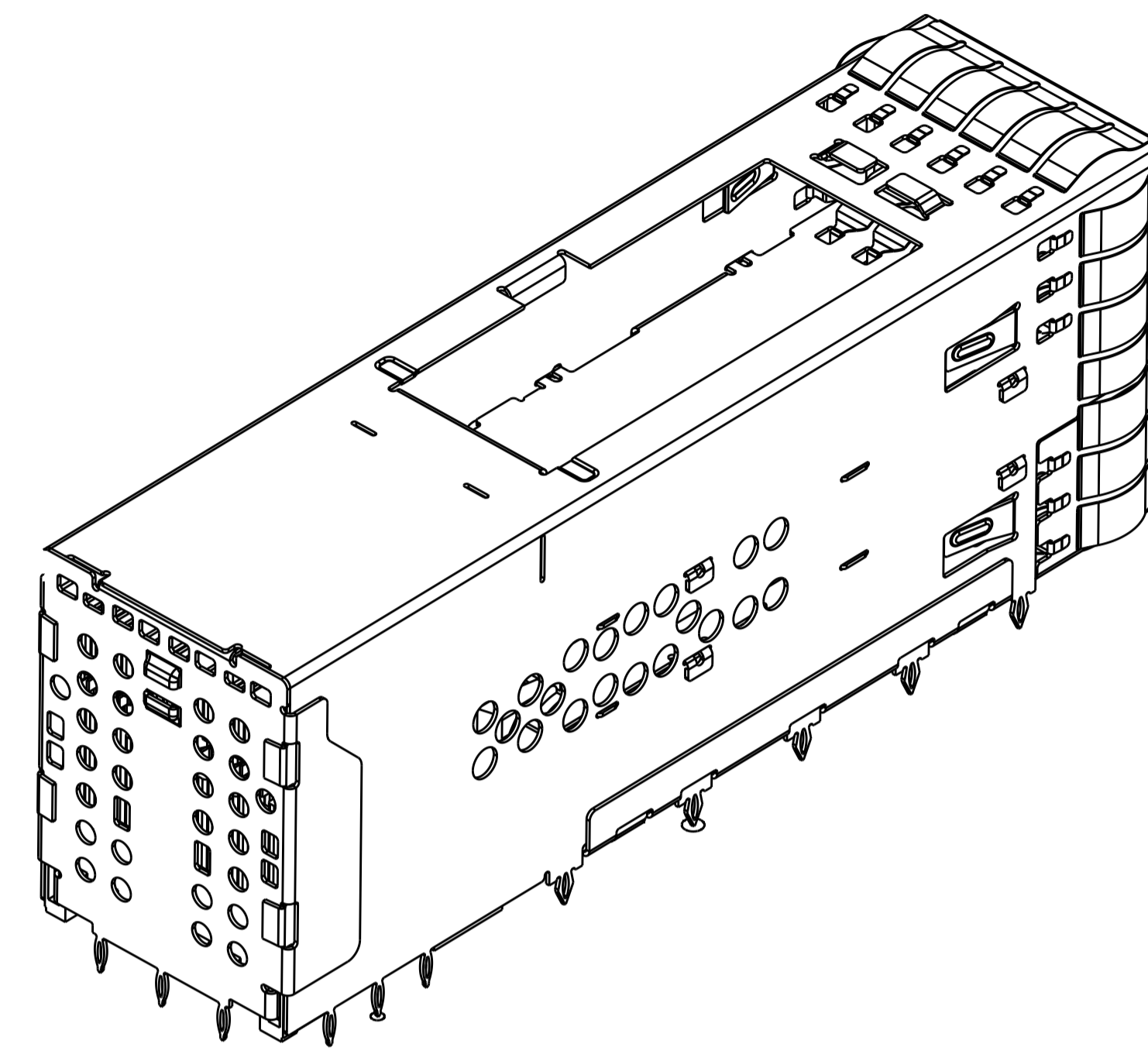
LOC		DIST		REVISIONS			
P.	LTN	DESCRIPTION	DATE	DMN	APVD		
-	-	SEE SHEET 1	-	-	-		



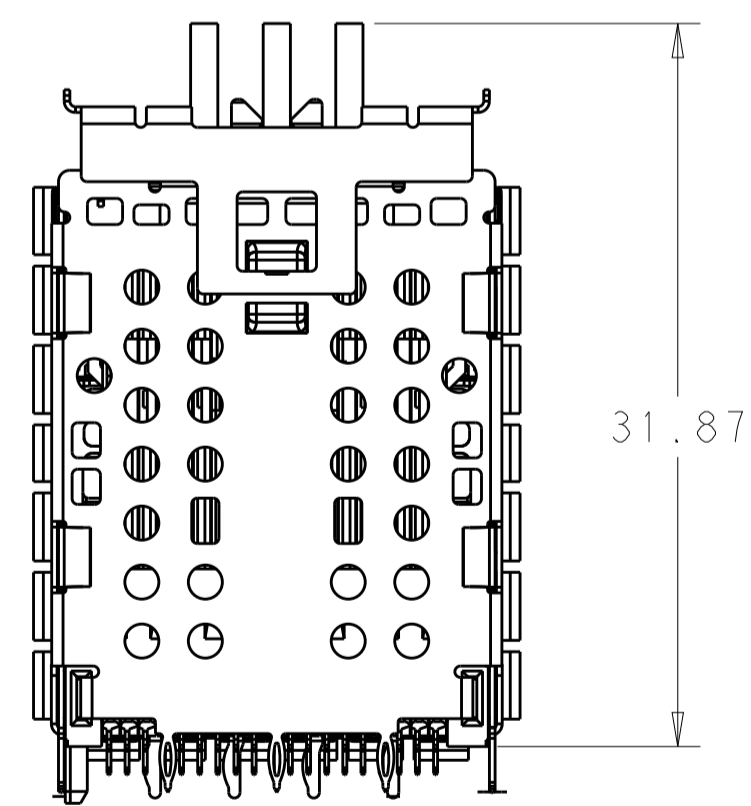
2299940-2 AS SHOWN
 THE SAME AS 2299940-5 EXCEPT
 W/O LIGHT PIPE AND ORGANIZER
 SCALE 3:1



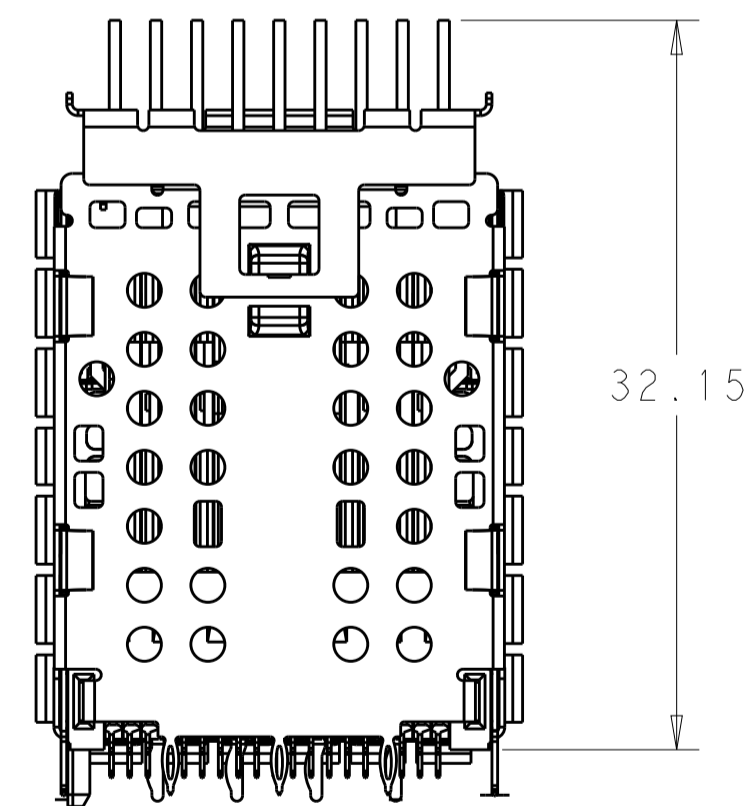
2299940-3 AS SHOWN
 THE SAME AS 2299940-2
 EXCEPT THE DIFFERENT EXTERNAL HEAT SINK
 SCALE 3:1



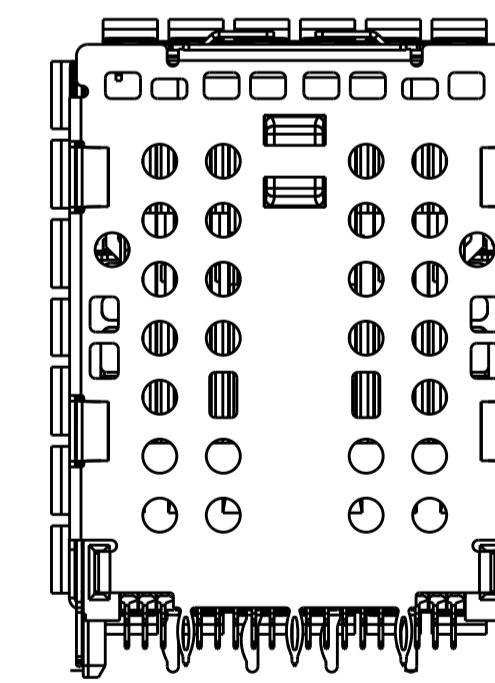
2299940-4 AS SHOWN
 THE SAME AS 2299940-2
 EXCEPT W/O EXTERNAL HEAT SIN/CLIP
 SCALE 3:1




2299940-2 AS SHOWN
 SCALE 3:1



2299940-3 AS SHOWN
 SCALE 3:1

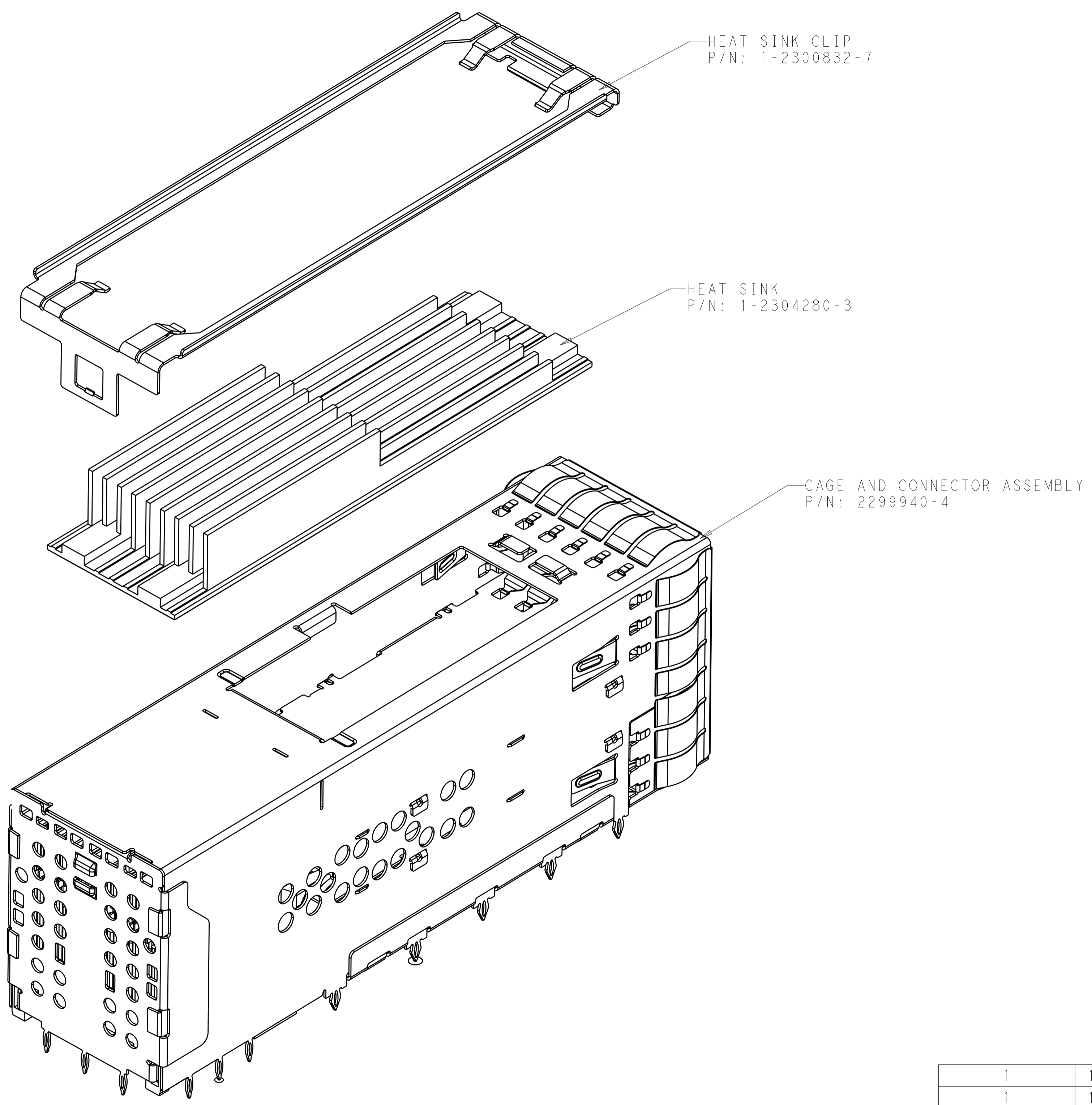


2299940-4 AS SHOWN
 SCALE 3:1

THIS DRAWING IS A CONTROLLED DOCUMENT.		DMN: ARTHUR_JLN 02FEB2016	 TE Connectivity
DIMENSIONS:		CHK: SEAN_HAN 02FEB2016	
mm	TOLERANCES UNLESS OTHERWISE SPECIFIED:	APVD: SEAN_HAN 02FEB2016	NAME: CAGE AND CONNECTOR ASSEMBLY WITH EMI SPRING FINGERS, THRU BEZEL, 2X1 ZOSFP+ STACKED WITH HS
0 PLC ± 1 PLC ±0.25 2 PLC ±0.15 3 PLC ± 4 PLC ± ANGLES ±	FINISH	PRODUCT SPEC	
MATERIAL	FINISH	APPLICATION SPEC	RESTRICTED TO
SEE NOTE 1		WEIGHT	SIZE: CAGE CODE DRAWING NO
		CUSTOMER DRAWING	A100779C=2299940
		SCALE 1:1	SHEET 3 OF 7 REV A

LOC		DIST		REVISIONS			
P	LTN	DESCRIPTION	DATE	DMN	APVD		
-	-	SEE SHEET 1	-	-	-		

2299940-3 AS SHOWN, KIT PACKAGE

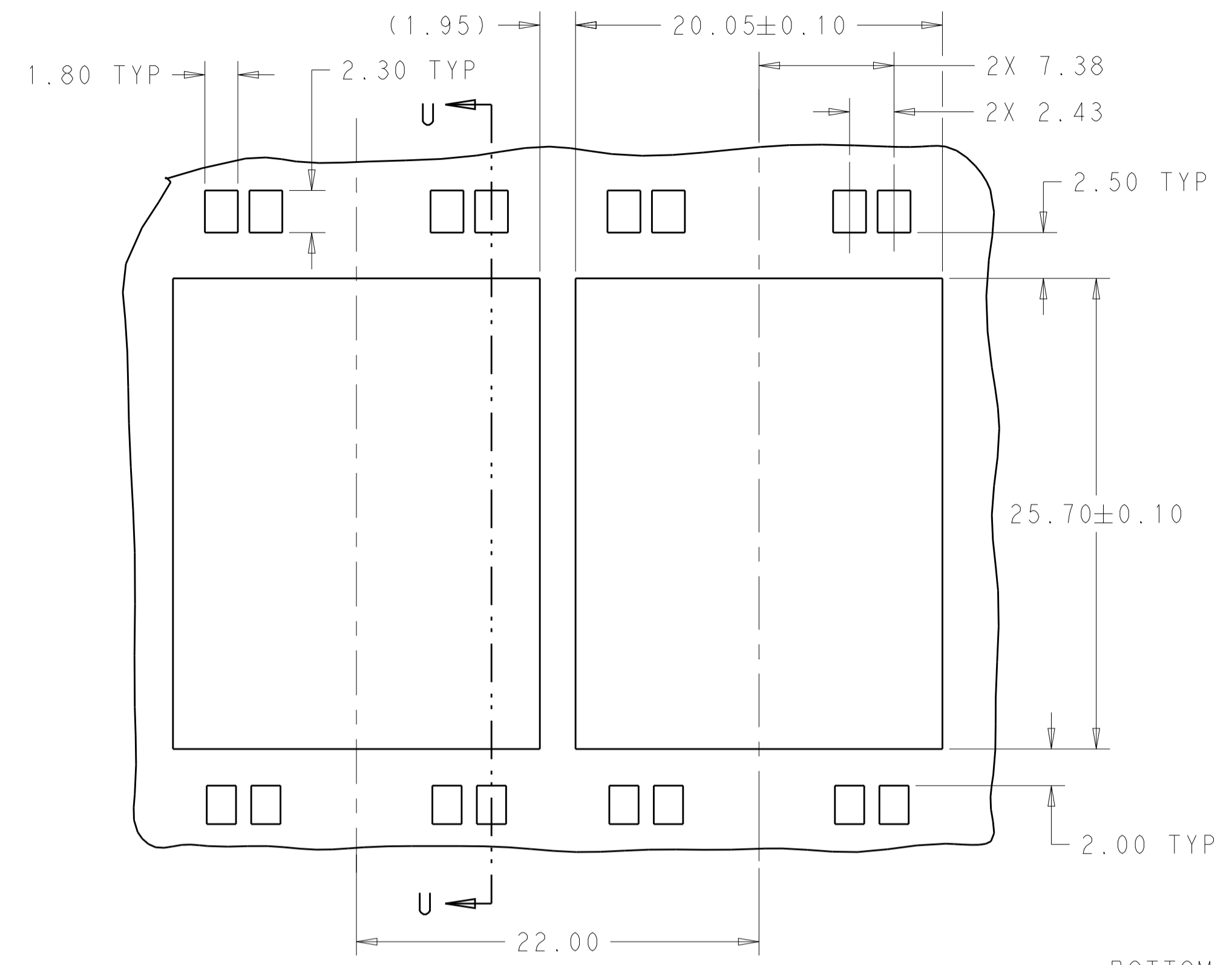


SCALE 4:1

1	1-2300832-7	HEAT SINK CLIP	3
1	1-2304280-3	HEAT SINK	2
1	2299940-4	CAGE AND CONNECTOR ASSEMBLY	1
2299940-3	PART NUMBER	DESCRIPTION	ITEM

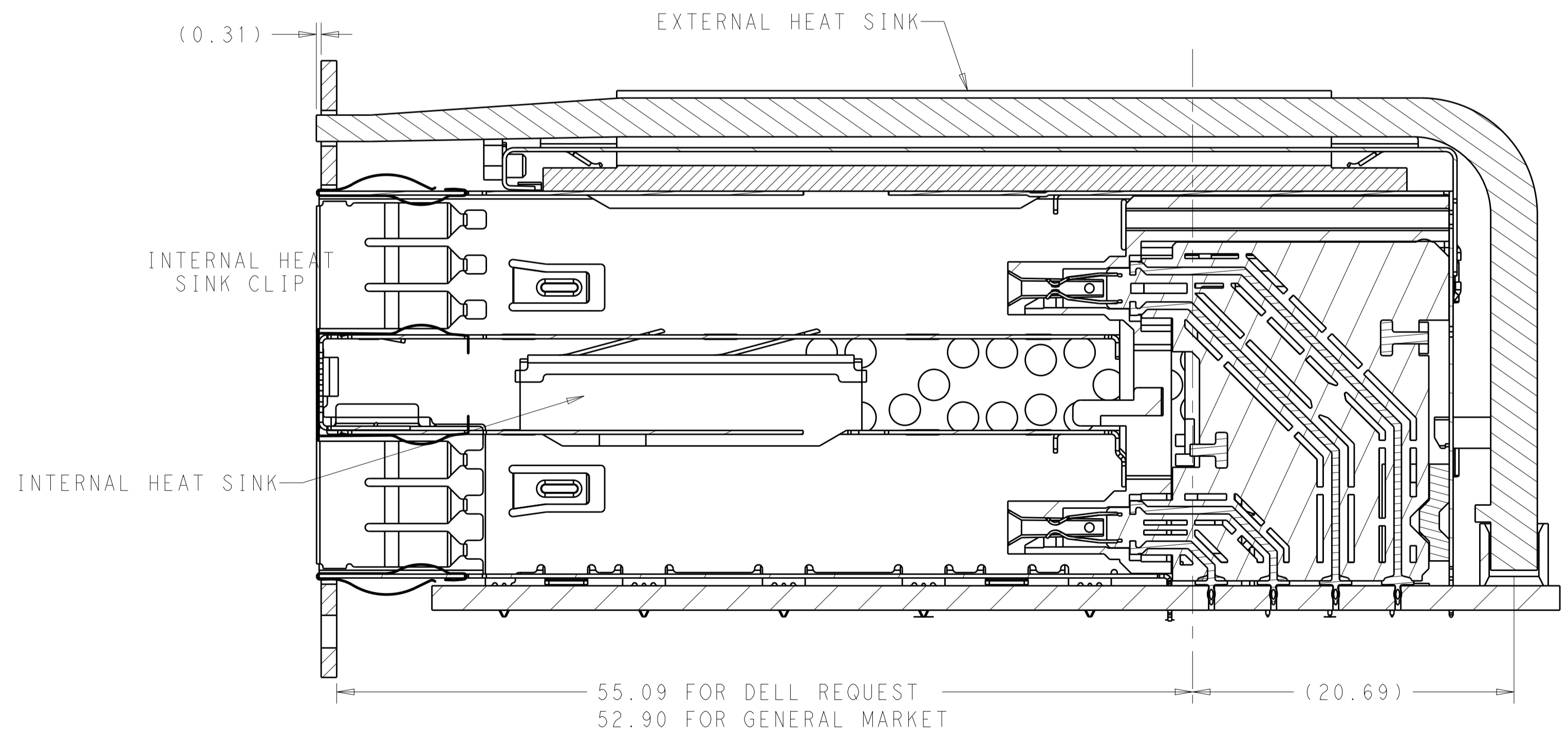
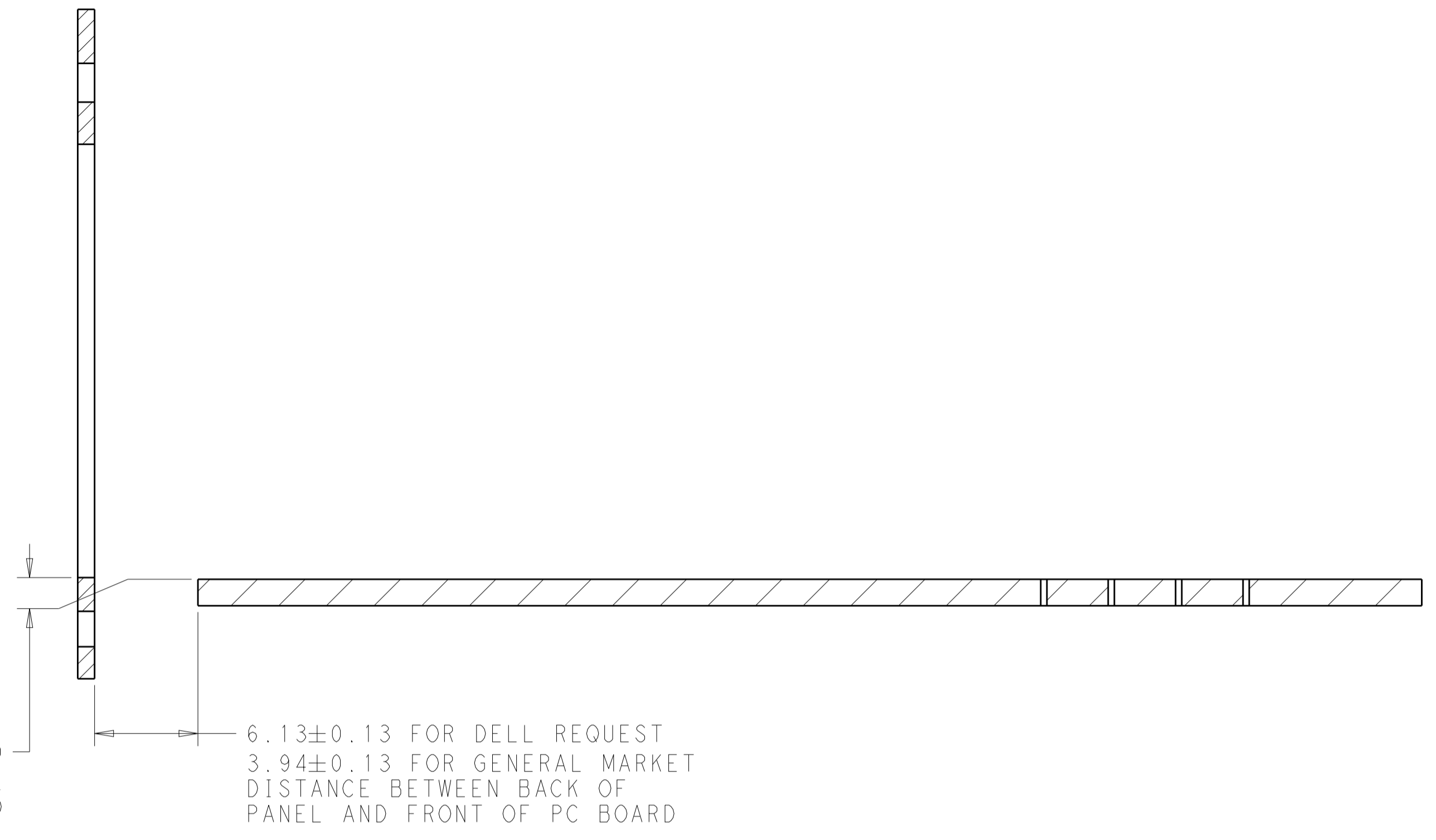
THIS DRAWING IS A CONTROLLED DOCUMENT.		DMN: ARTHUR JIN 02FEB2016	TE Connectivity
DIMENSIONS: mm		CHK: SEAN HAN 02FEB2016	
TOLERANCES UNLESS OTHERWISE SPECIFIED:		APVD: SEAN HAN 02FEB2016	
0 PLC ± 1 PLC ±0.25 2 PLC ±0.15 3 PLC ± 4 PLC ± ANGLES ±		NAME: CAGE AND CONNECTOR ASSEMBLY WITH EMI SPRING FINGERS, THRU BEZEL, 2X1 ZOSFP+ STACKED WITH HS	
MATERIAL: SEE NOTE 1	FINISH: -	WEIGHT: -	RESTRICTED TO: -
CUSTOMER DRAWING		SIZE: A1	SCALE: 1:1

LOC	DIST	REVISIONS			
P	LTH	DESCRIPTION	DATE	DWN	APVD
-	-	SEE SHEET 1	-	-	-



RECOMMENDED PANEL CUTOUT AND PC BOARD, PANEL POSITION

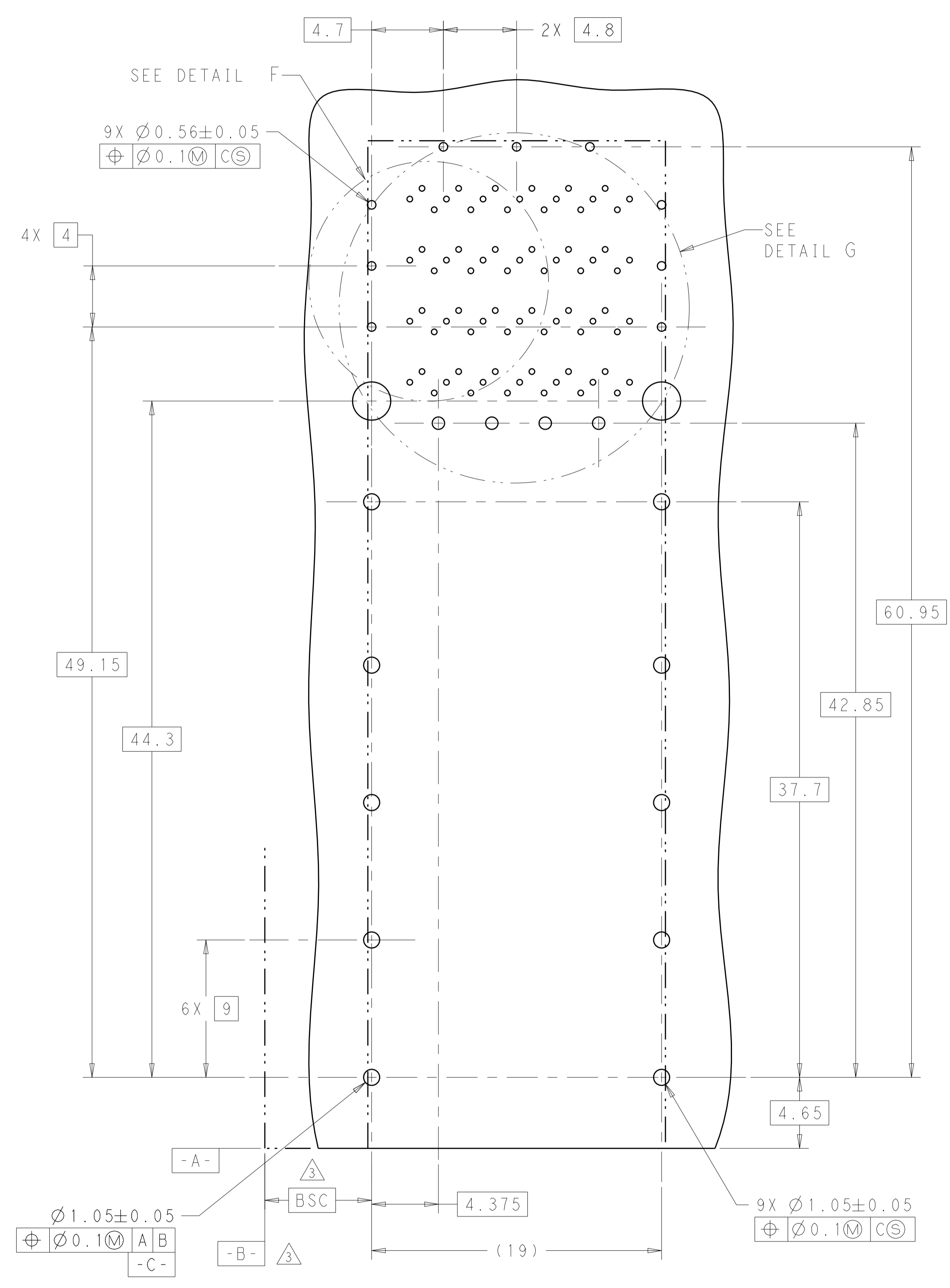
0.10
 BOTTOM OF CUTOUT IN PANEL TO TOP OF PC BOARD



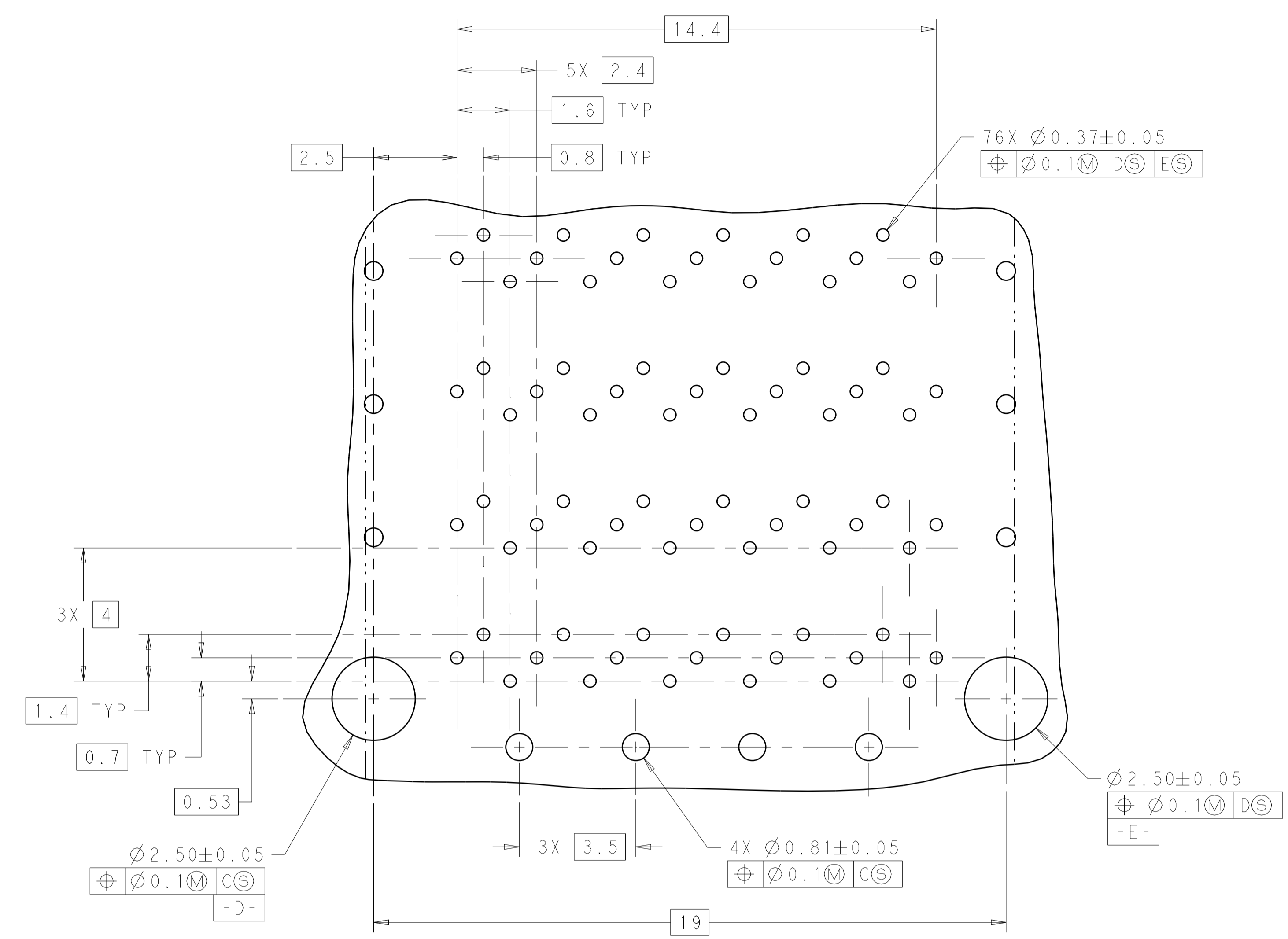
SECTION U-U
 SCALE 4:1

THIS DRAWING IS A CONTROLLED DOCUMENT.		DWN: ARTHUR JIN 02FEB2016	TE Connectivity
DIMENSIONS: mm		CHK: SEAN HAN 02FEB2016	
TOLERANCES UNLESS OTHERWISE SPECIFIED:		APVD: SEAN HAN 02FEB2016	NAME: CAGE AND CONNECTOR ASSEMBLY WITH EMI SPRING FINGERS, THRU BEZEL, 2X1 ZOSFP+ STACKED WITH HS
0 PLC ±	1 PLC ±0.25	PRODUCT SPEC	SIZE: A1
2 PLC ±0.15	3 PLC ±	APPLICATION SPEC	CAGE CODE: 2299940
4 PLC ±	ANGLES ±	WEIGHT	RESTRICTED TO
MATERIAL: SEE NOTE 1	FINISH	CUSTOMER DRAWING	SCALE: 1:1 SHEET 5 OF 7 REV A

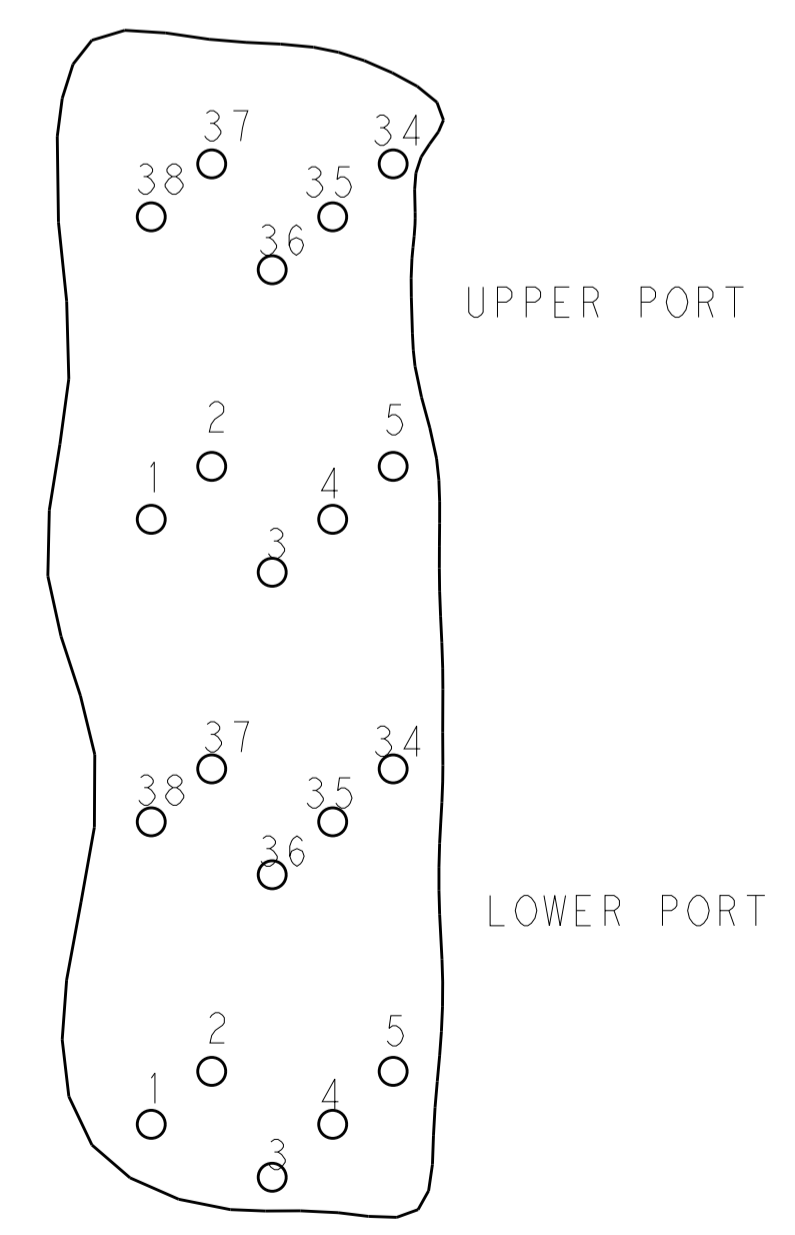
LOC		DIST		REVISIONS			
P	LTN	DESCRIPTION	DATE	DWN	APVD		
-	-	SEE SHEET 1	-	-	-	-	-



RECOMMENDED PC BOARD LAYOUT
 COMPONENT SIDE OF BOARD
 SCALE 5:1
 (PCB TOLERANCE: ±0.05)



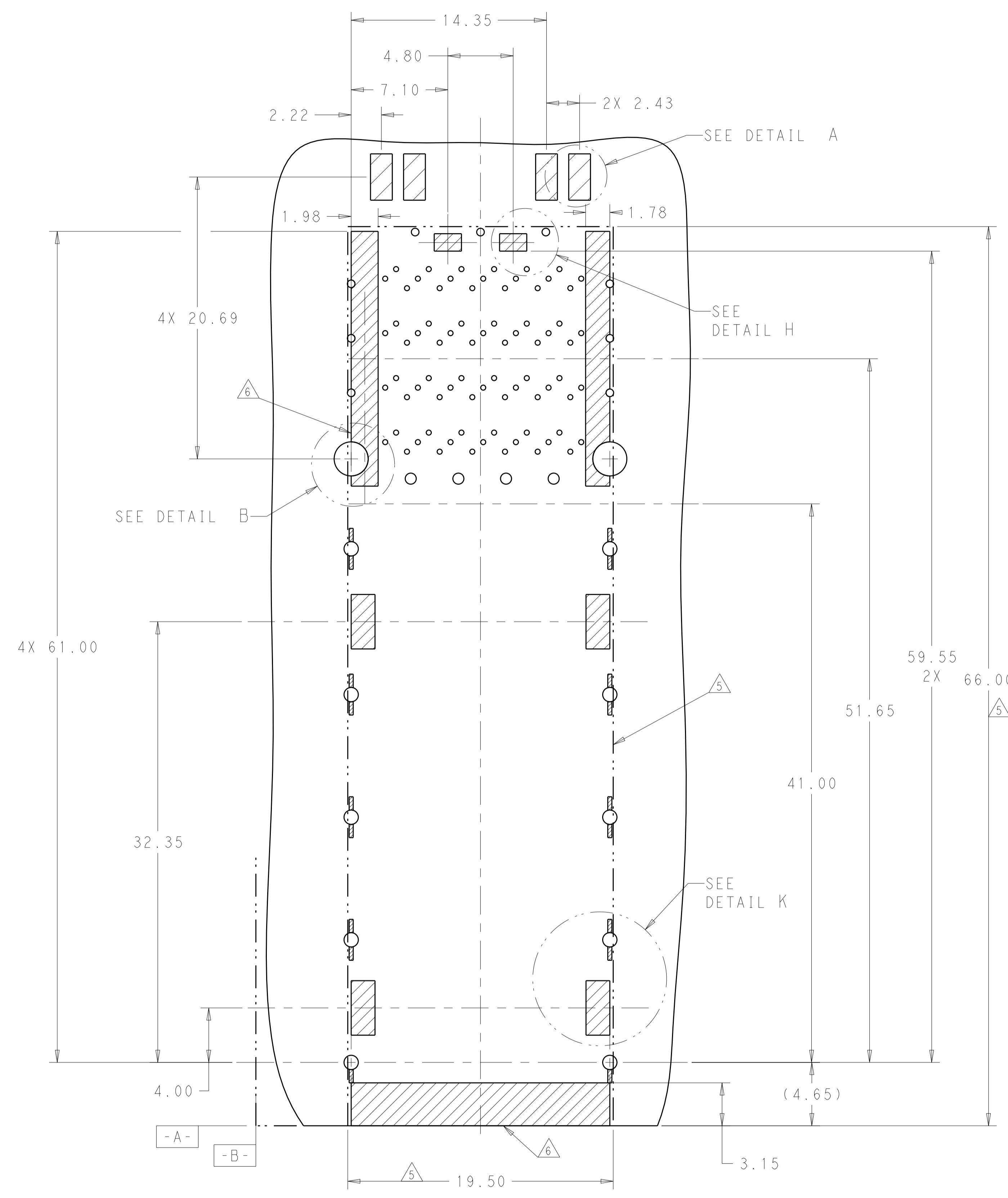
DETAIL G
 SCALE 10:1



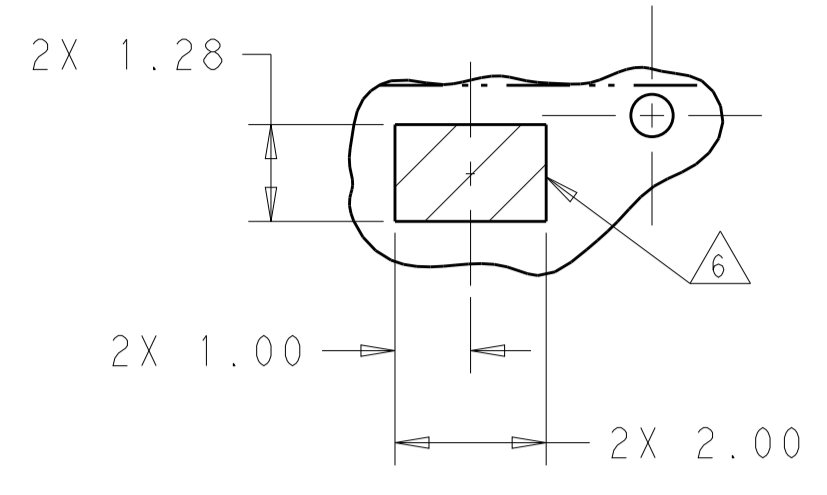
DETAIL F
 SCALE 10:1
 PIN ASSIGNMENTS

THIS DRAWING IS A CONTROLLED DOCUMENT.		DWN: ARTHUR JIN 02FEB2016	TE Connectivity
DIMENSIONS: mm		CHK: SEAN HAN 02FEB2016	
TOLERANCES UNLESS OTHERWISE SPECIFIED:		APVD: SEAN HAN 02FEB2016	NAME: CAGE AND CONNECTOR ASSEMBLY WITH EMI SPRING FINGERS, THRU BEZEL, 2X1 ZOSFP+ STACKED WITH HS
0 PLC ±	1 PLC ±0.25	PRODUCT SPEC	SIZE: A100779C=2299940
2 PLC ±0.15	3 PLC ±	APPLICATION SPEC	RESTRICTED TO: -
4 PLC ±	ANGLES ±	WEIGHT	SCALE: 1:1 SHEET 6 OF 7 REV A
MATERIAL: SEE NOTE 1	FINISH	CUSTOMER DRAWING	

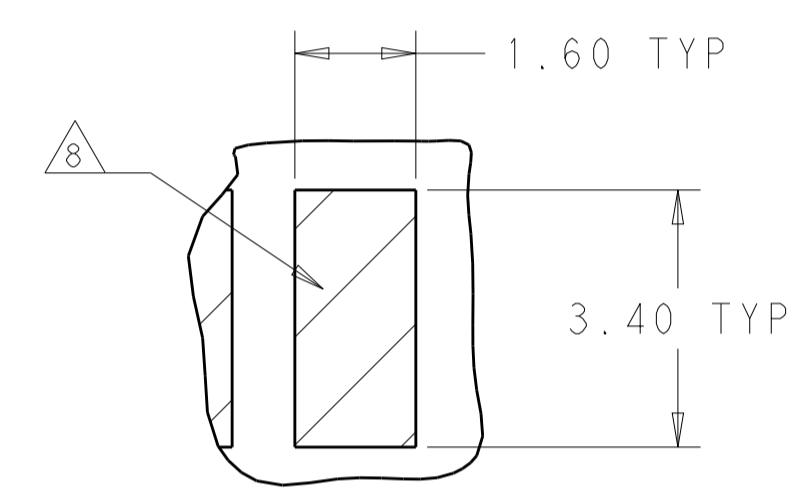
LOC		DIST		REVISIONS			
P	LTN	DESCRIPTION	DATE	DWN	APVD		
-	-	SEE SHEET 1	-	-	-		



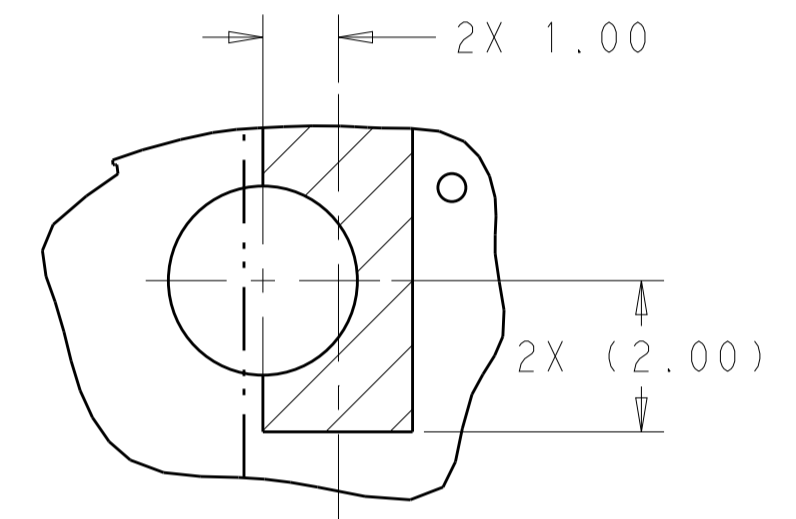
KEEPOUT AREAS FOR 4 LP APPLICATON
 COMPONENT SIDE OF BOARD
 SCALE 5:1



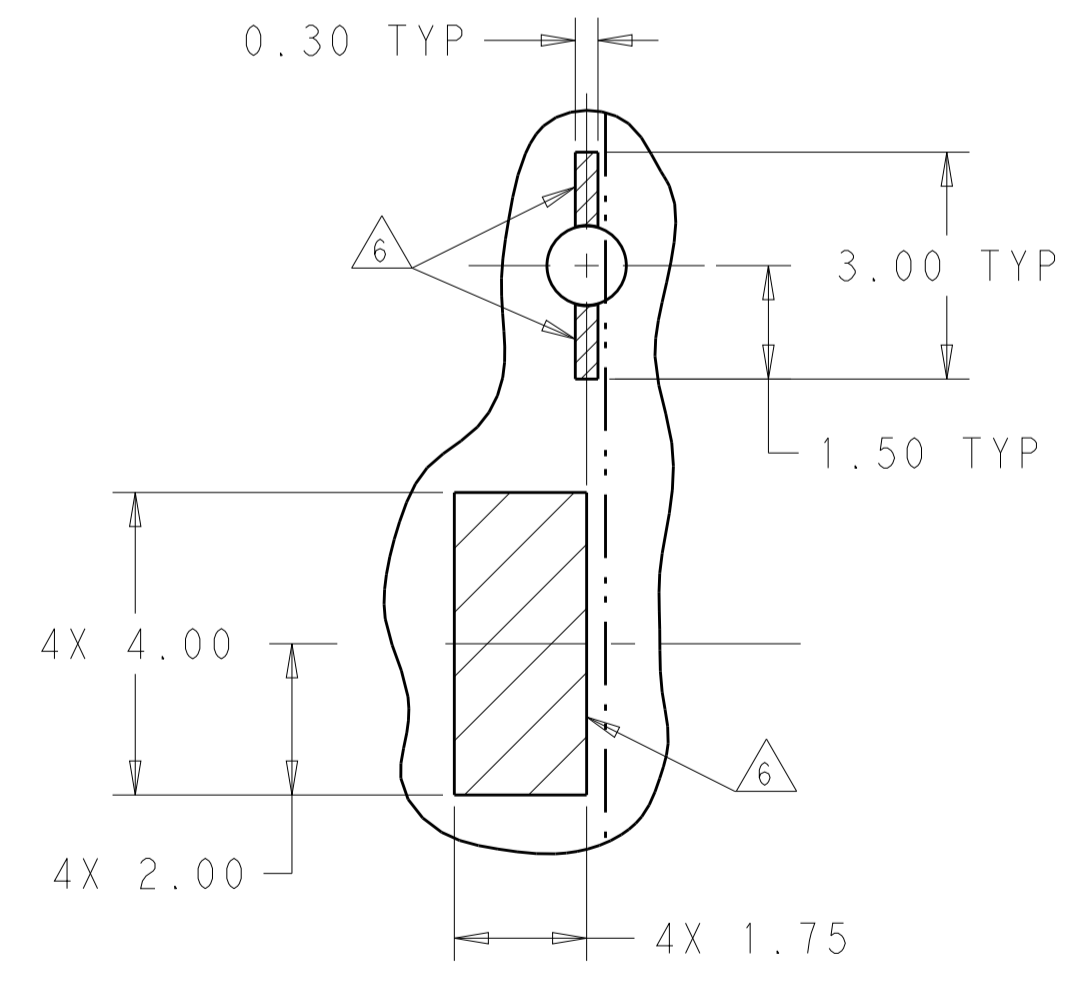
DETAIL H
 SCALE 10:1



DETAIL A
 LED PADS
 SCALE 10:1



DETAIL B
 SCALE 10:1



DETAIL K
 SCALE 10:1

THIS DRAWING IS A CONTROLLED DOCUMENT.		DWN: ARTHUR JLN 02FEB2016	TE Connectivity
DIMENSIONS: mm		CHK: SEAN HAN 02FEB2016	
TOLERANCES UNLESS OTHERWISE SPECIFIED:		APVD: SEAN HAN 02FEB2016	NAME: CAGE AND CONNECTOR ASSEMBLY WITH EMI SPRING FINGERS, THRU BEZEL, 2X1 ZOSFP+ STACKED WITH HS
0 PLC ±0.25	1 PLC ±0.15	PRODUCT SPEC	SIZE: A100779C=2299940
2 PLC ±0.15	3 PLC ±0.15	APPLICATION SPEC	RESTRICTED TO: -
4 PLC ±0.15	5 PLC ±0.15	WEIGHT	SCALE: 1:1
ANGLES ±0.15	FINISH	CUSTOMER DRAWING	SHEET 7 OF 7
SEE NOTE 1			REV A