



Chipsmall Limited consists of a professional team with an average of over 10 year of expertise in the distribution of electronic components. Based in Hongkong, we have already established firm and mutual-benefit business relationships with customers from,Europe,America and south Asia,supplying obsolete and hard-to-find components to meet their specific needs.

With the principle of "Quality Parts,Customers Priority,Honest Operation,and Considerate Service",our business mainly focus on the distribution of electronic components. Line cards we deal with include Microchip,ALPS,ROHM,Xilinx,Pulse,ON,Everlight and Freescale. Main products comprise IC,Modules,Potentiometer,IC Socket,Relay,Connector.Our parts cover such applications as commercial,industrial, and automotives areas.

We are looking forward to setting up business relationship with you and hope to provide you with the best service and solution. Let us make a better world for our industry!



Contact us

Tel: +86-755-8981 8866 Fax: +86-755-8427 6832

Email & Skype: info@chipsmall.com Web: www.chipsmall.com

Address: A1208, Overseas Decoration Building, #122 Zhenhua RD., Futian, Shenzhen, China

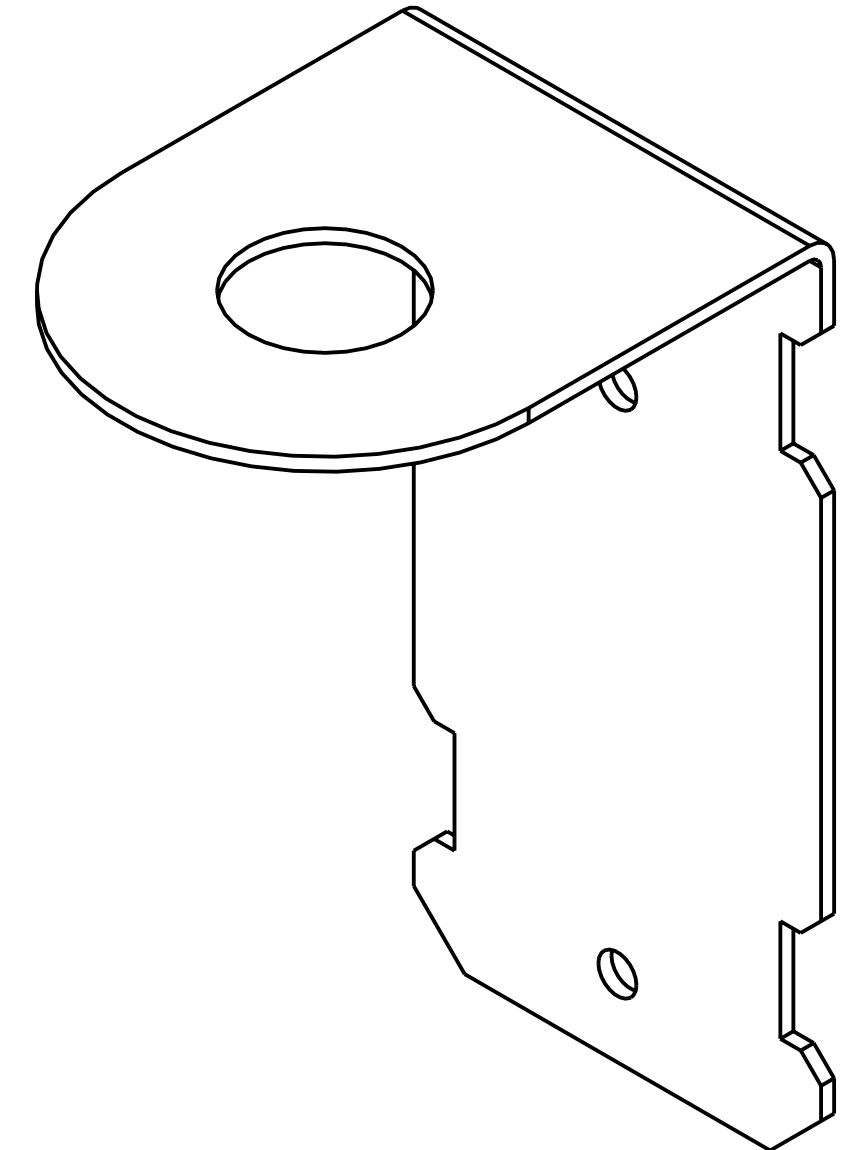
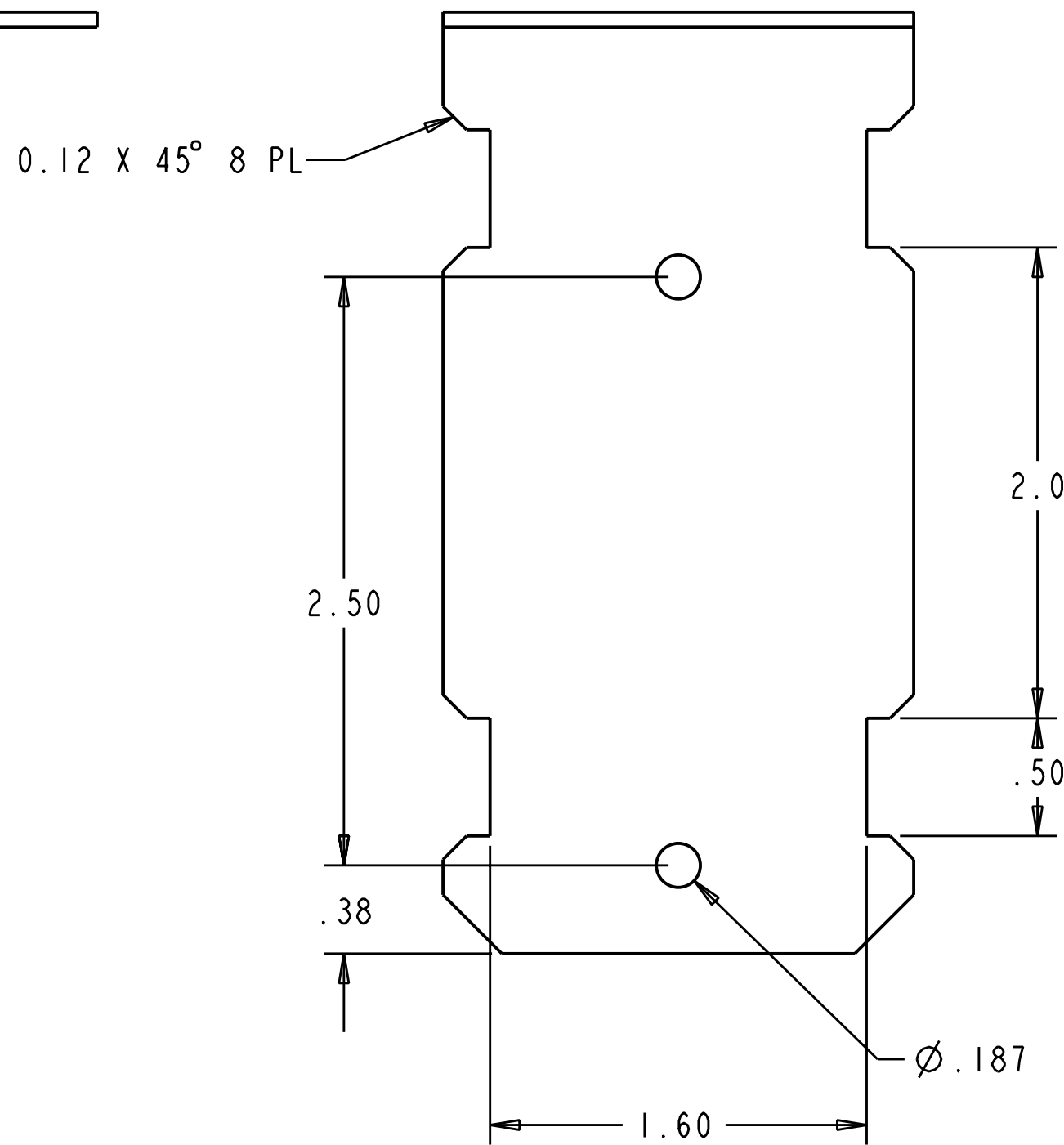
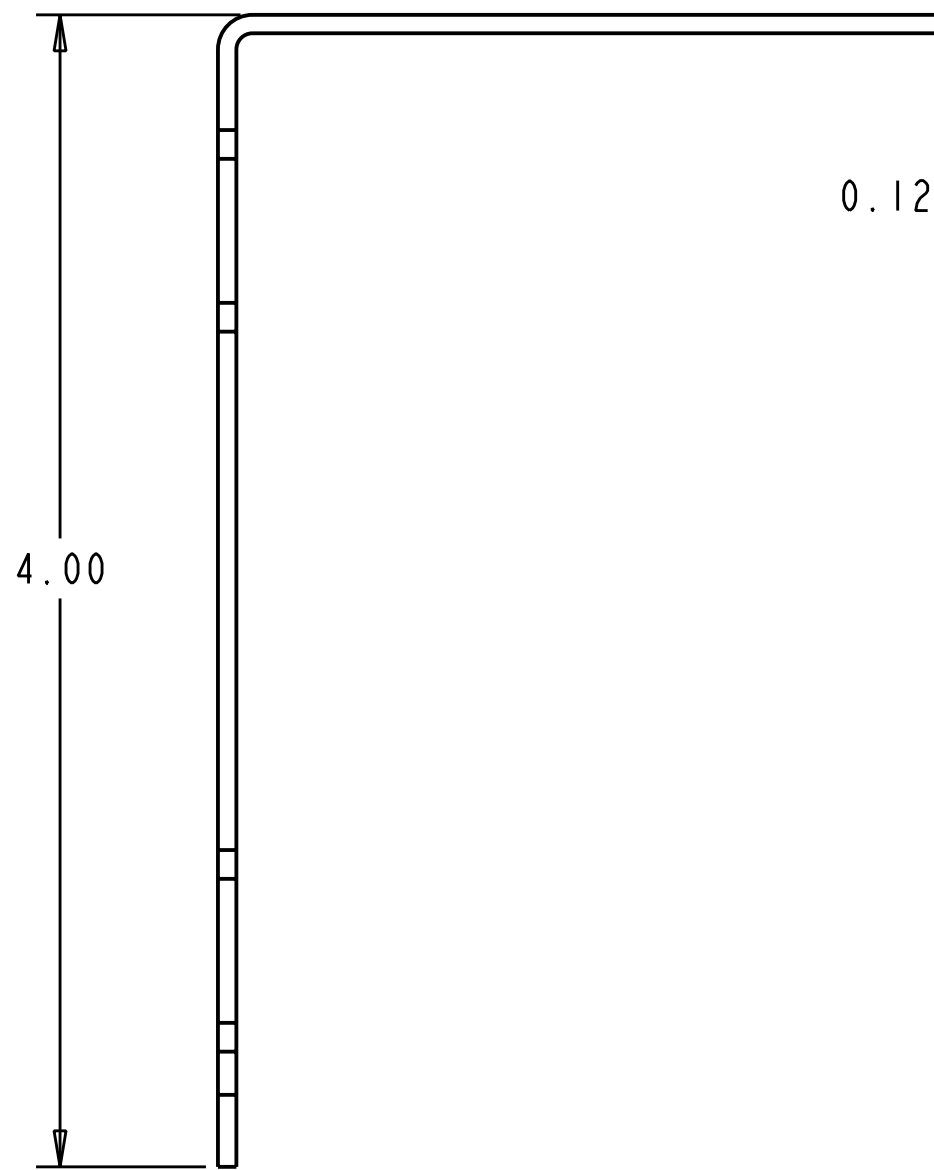
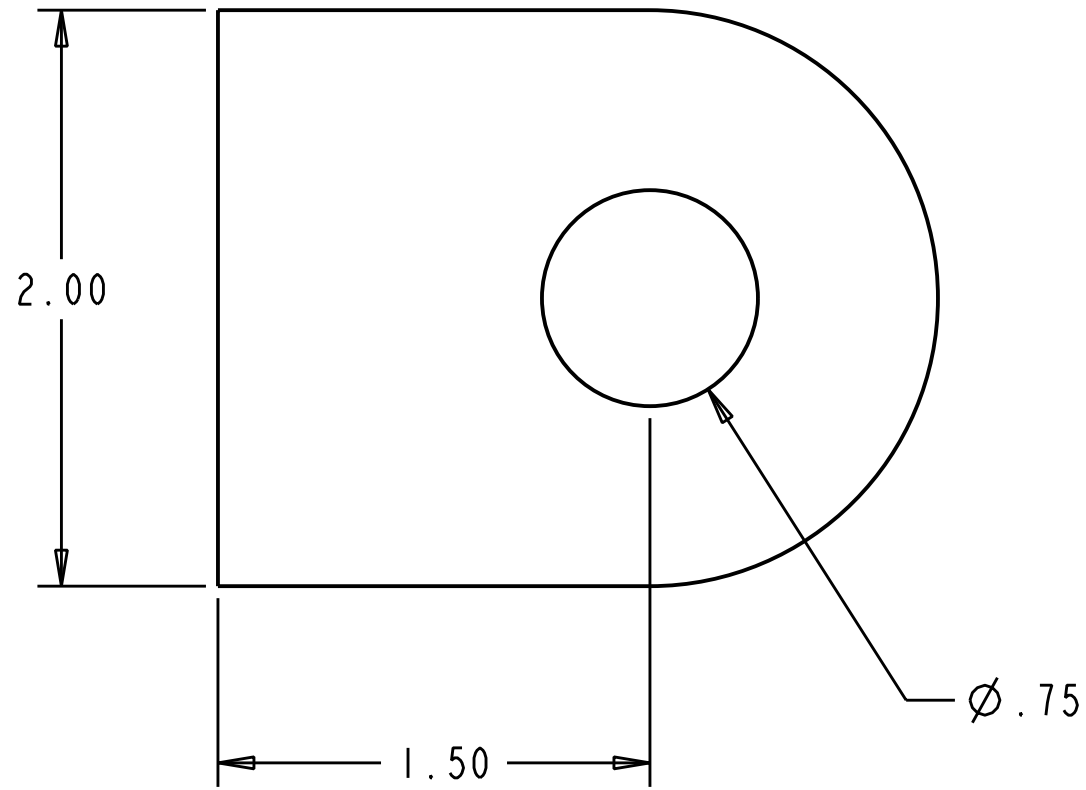


THIS DOCUMENT AND THE INFORMATION CONTAINED HEREIN IS CONFIDENTIAL AND IS NOT TO BE REPRODUCED, USED OR DISCLOSED IN WHOLE OR IN PART WITHOUT THE EXPRESS WRITTEN PERMISSION OF TALLYSMAN WIRELESS INC.

NOTES:

1. UNLESS OTHERWISE SPECIFIED, ALL DIMENSIONS ARE IN INCHES.
TOLERANCES:
2 DECIMAL PLACES ± 0.02
3 DECIMAL PLACES ± 0.005
ANGLES $\pm 1^\circ$
2. TO CONVERT INCHES TO MILLIMETRES
USE 1 INCH = 25.40 MILLIMETRES.
3. MATERIAL: ALUMINIUM 5052-H32 SHEET
.064 THICK
4. FINISH: CLEAR ANODIZE
5. UNLESS OTHERWISE SPECIFIED, ALL INSIDE BEND RADIUS TO BE 0.06 MAXIMUM.
6. UNLESS OTHERWISE SPECIFIED, ALL ANGLES TO BE 90° .
7. REMOVE ALL BURRS AND SHARP EDGES.

REVISIONS				
ZONE	REV	DESCRIPTION	DATE (DA-MO-YR)	APPROVED
	1	INITIAL RELEASE	27 JAN 11	M.G.



THIRD ANGLE PROJECTION		Tallysman Wireless Inc.	
PMIC		POLE MOUNT BRACKET	
GEN. BY B DOLAN	DATE (Y-M-D) 27 JAN 11		
REVIEWED BY M GRINSTEAD			
PROJECT	SIZE C	CAGE CODE	DRAWING NUMBER 23-0040-0
NEXT ASSEMBLY	SCALE	UNIT WT	SHEET 1 OF 1