



Chipsmall Limited consists of a professional team with an average of over 10 year of expertise in the distribution of electronic components. Based in Hongkong, we have already established firm and mutual-benefit business relationships with customers from,Europe,America and south Asia,supplying obsolete and hard-to-find components to meet their specific needs.

With the principle of "Quality Parts,Customers Priority,Honest Operation,and Considerate Service",our business mainly focus on the distribution of electronic components. Line cards we deal with include Microchip,ALPS,ROHM,Xilinx,Pulse,ON,Everlight and Freescale. Main products comprise IC,Modules,Potentiometer,IC Socket,Relay,Connector.Our parts cover such applications as commercial,industrial, and automotives areas.

We are looking forward to setting up business relationship with you and hope to provide you with the best service and solution. Let us make a better world for our industry!



Contact us

Tel: +86-755-8981 8866 Fax: +86-755-8427 6832

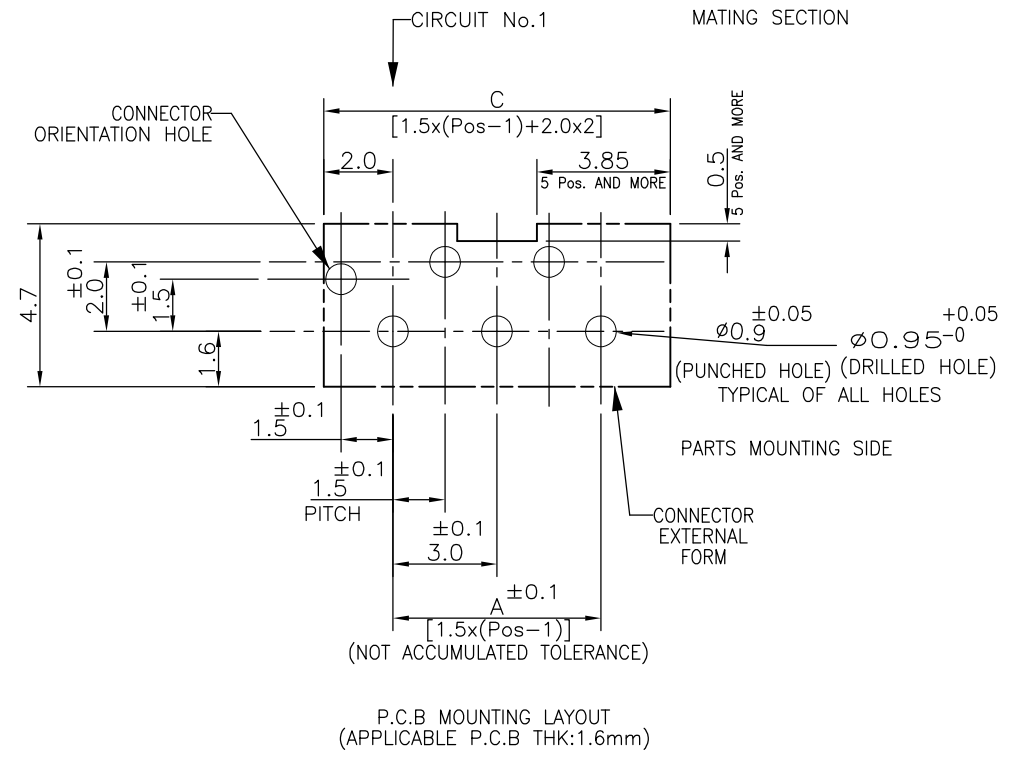
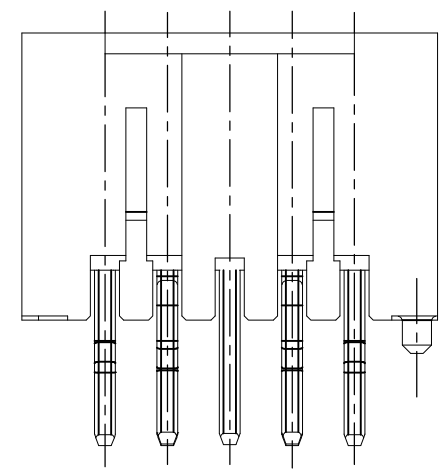
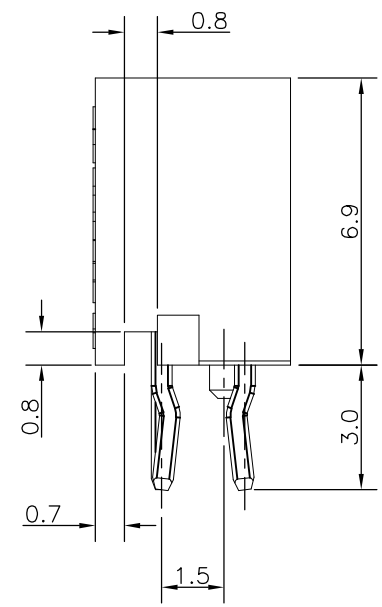
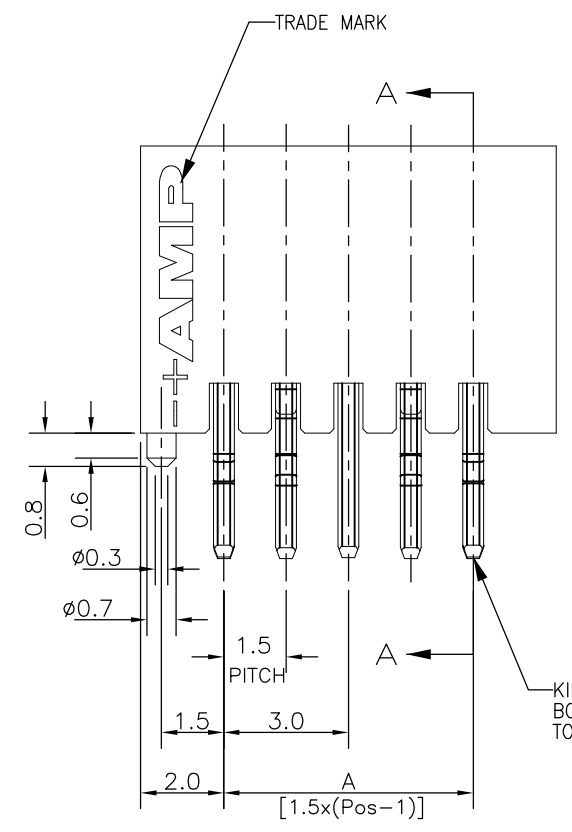
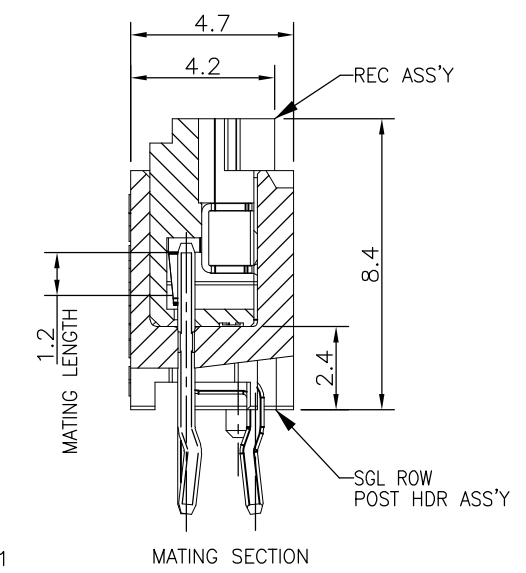
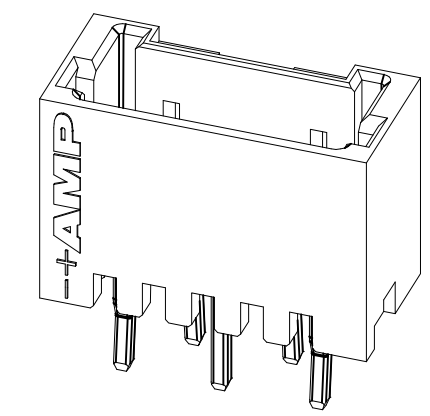
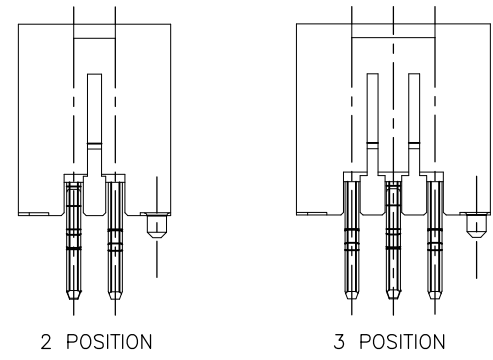
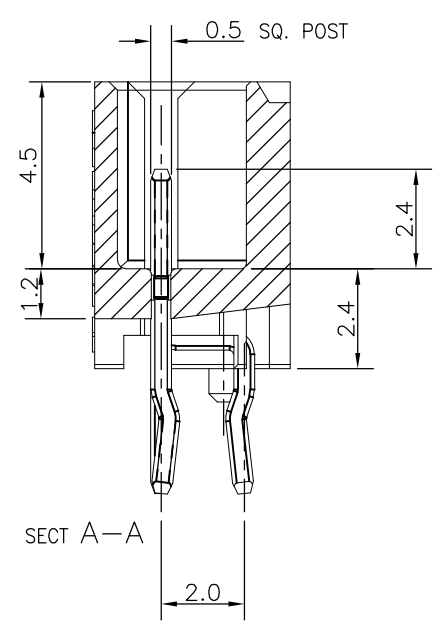
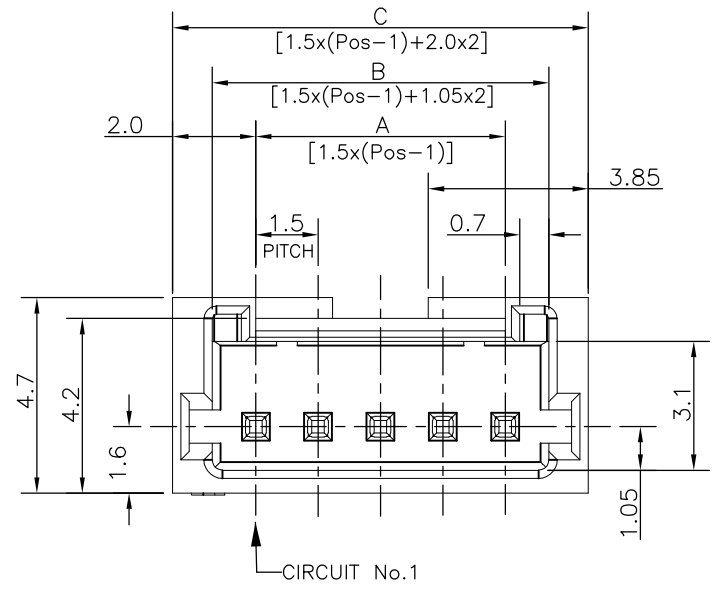
Email & Skype: info@chipsmall.com Web: www.chipsmall.com

Address: A1208, Overseas Decoration Building, #122 Zhenhua RD., Futian, Shenzhen, China



THIS DRAWING IS UNPUBLISHED. RELEASED FOR PUBLICATION
 © COPYRIGHT - By - ALL RIGHTS RESERVED.

LOC	DIST	REVISIONS					
ES	00	P	LTR	DESCRIPTION	DATE	DWN	APVD
		A1		REVISED PER ECO-11-005033	11MAR11	RK	HMR



NOTES:
 1. MATERIAL:
 HOUSING: NYLON(G.F.) UL94V-0, COLOR: GRAY, BLUE
 POST: PRE-TIN 0.5mm SQ. BRASS WIRE

TOLERANCES UNLESS OTHERWISE SPECIFIED:

10 > *	:	±0.2
30 > * > 10	:	±0.25
100 > * > 30	:	±0.3
ANGLE	:	±3°

THIS DRAWING IS A CONTROLLED DOCUMENT.

DIMENSIONS:	TOLERANCES UNLESS OTHERWISE SPECIFIED:
mm	0 PLC ± -
	1 PLC ± -
	2 PLC ± -
	3 PLC ± -
	4 PLC ± -
	ANGLES ± -
MATERIAL	FINISH
SEE NOTE 1	SEE NOTE 1

DWN	S.YAO	31JAN03	TE Connectivity AMP Mini CT Connector 1.5mm Pitch Single Row Post HDR Ass'y (V) DIP Staggered Type with Boss with Kink					
CHK	S.YAO	31JAN03						
APVD	T. SASAKI	31JAN03						
PRODUCT SPEC	NAME							
APPLICATION SPEC	108 - 60018		SIZE	CAGE CODE	DRAWING NO	RESTRICTED TO		
WEIGHT	SEE TABLE		A3	00779	C-292207	-		
CUSTOMER DRAWING			SCALE	-	SHEET	1 OF 2	REV	A1

LOC	DIST	REVISIONS					
ES	00	P	LTR	DESCRIPTION	DATE	DWN	APVD
		-		SEE SHEET 1	-	-	-


0.96	32.5	30.6	28.5	20	7-292207-0	2-292207-0
0.91	31.0	29.1	27.0	19	6-292207-9	1-292207-9
0.87	29.5	27.6	25.5	18	6-292207-8	1-292207-8
0.82	28.0	26.1	24.0	17	6-292207-7	1-292207-7
0.78	26.5	24.6	22.5	16	6-292207-6	1-292207-6
0.73	25.0	23.1	21.0	15	6-292207-5	1-292207-5
0.69	23.5	21.6	19.5	14	6-292207-4	1-292207-4
0.64	22.0	20.1	18.0	13	6-292207-3	1-292207-3
0.60	20.5	18.6	16.5	12	6-292207-2	1-292207-2
0.55	19.0	17.1	15.0	11	6-292207-1	1-292207-1
0.51	17.5	15.6	13.5	10	6-292207-0	1-292207-0
0.46	16.0	14.1	12.0	9	5-292207-9	292207-9
0.42	14.5	12.6	10.5	8	5-292207-8	292207-8
0.37	13.0	11.1	9.0	7	5-292207-7	292207-7
0.33	11.5	9.6	7.5	6	5-292207-6	292207-6
0.28	10.0	8.1	6.0	5	5-292207-5	292207-5
0.24	8.5	6.6	4.5	4	5-292207-4	292207-4
0.19	7.0	5.1	3.0	3	5-292207-3	292207-3
0.16	5.5	3.6	1.5	2	5-292207-2	292207-2
WEIGHT (g)	C	B	A	Pos.	BLUE	GRAY
	DIMENSIONS				P/N	

RELEASED FOR PUBLICATION

ALL RIGHTS RESERVED.

THIS DRAWING IS UNPUBLISHED.

© COPYRIGHT - By -

DIMENSIONS: mm TOLERANCES UNLESS OTHERWISE SPECIFIED: 0 PLC ± - 1 PLC ± SEE SHEET 2 PLC ± 1 OF 2 3 PLC ± - 4 PLC ± - ANGLES ± -	DWN -	MATERIAL -	FINISH -
	CHK -	 TE Connectivity	
APVD -	NAME AMP Mini CT Connector 1.5mm Pitch Single Row Post HDR Ass'y (V) DIP Staggered Type with Boss with Kink		
PRODUCT SPEC -	SIZE A4	CAGE CODE 00779	DRAWING NO C-292207
APPLICATION SPEC -	RESTRICTED TO -		
WEIGHT -	CUSTOMER DRAWING		SCALE NON SHEET 2 OF 2 REV A1