



Chipsmall Limited consists of a professional team with an average of over 10 year of expertise in the distribution of electronic components. Based in Hongkong, we have already established firm and mutual-benefit business relationships with customers from,Europe,America and south Asia,supplying obsolete and hard-to-find components to meet their specific needs.

With the principle of “Quality Parts,Customers Priority,Honest Operation,and Considerate Service”,our business mainly focus on the distribution of electronic components. Line cards we deal with include Microchip,ALPS,ROHM,Xilinx,Pulse,ON,Everlight and Freescale. Main products comprise IC,Modules,Potentiometer,IC Socket,Relay,Connector.Our parts cover such applications as commercial,industrial, and automotives areas.

We are looking forward to setting up business relationship with you and hope to provide you with the best service and solution. Let us make a better world for our industry!



Contact us

Tel: +86-755-8981 8866 Fax: +86-755-8427 6832

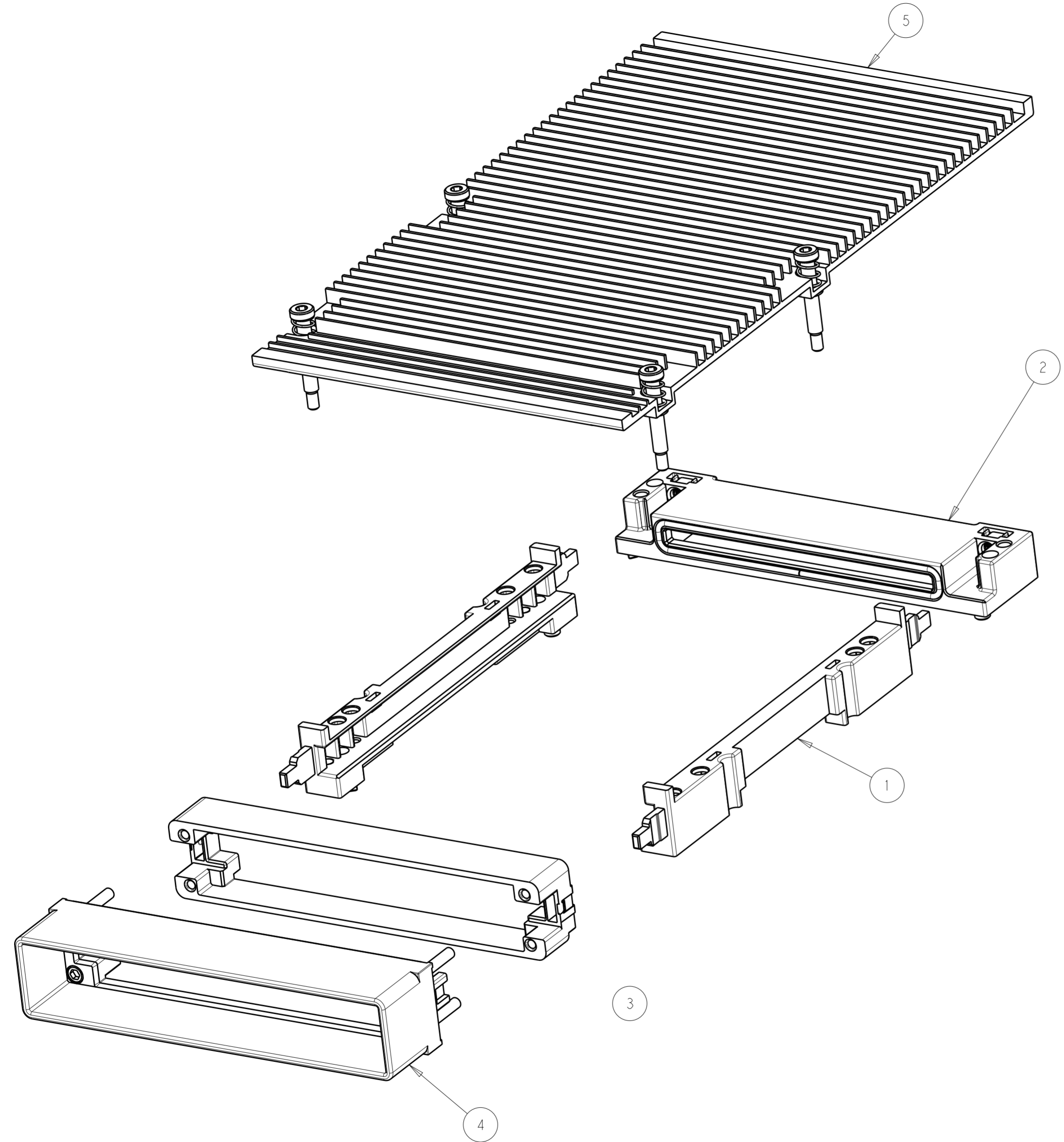
Email & Skype: info@chipsmall.com Web: www.chipsmall.com

Address: A1208, Overseas Decoration Building, #122 Zhenhua RD., Futian, Shenzhen, China



THIS DRAWING IS UNPUBLISHED. RELEASED FOR PUBLICATION 20
 © COPYRIGHT 20 BY - ALL RIGHTS RESERVED.

REVISIONS				
P	LTR	DESCRIPTION	DATE	APVD
1		INITIAL	19FEB2016	PP SH
2		UPDATE BOM	14JUN2016	PP SH
3		ADD-2	09OCT2016	PP SH



THIS PRINT IS
PRELIMINARY
 UNQUALIFIED PRODUCT
 CONTACT PRODUCT ENGINEERING
 BEFORE USING THIS PRINT

1	-	2274283-5	HEAT SINK ASSEMBLY	5
-	1	2274283-3		
1	1	2169710-1	EXTERNAL BRACKET ASSEMBLY	4
1	1	2057930-1	BACKER PLATE ASSEMBLY	3
1	1	2057631-1	CONNECTOR COVER ASSEMBLY	2
2	2	2057592-2	GUIDE RAIL	1
-2	-1	PART NUMBER	DESCRIPTION	ITEM NO

THIS DRAWING IS A CONTROLLED DOCUMENT.		DWN PETER PAN 19FEB2016	STE TE Connectivity	
		CHK SEAN HAN 19FEB2016		
		APVD SEAN HAN 19FEB2016	NAME CFP HARDWARE KIT W/ HEATSINK, SIDE TO SIDE AIRFLOW	
DIMENSIONS: mm		PRODUCT SPEC 108-2399	SIZE A2	
TOLERANCES UNLESS OTHERWISE SPECIFIED:		APPLICATION SPEC 114-13263	CAGE CODE -	
0 PLC ±-		WEIGHT -	DRAWING NO C-2300837	
1 PLC ±0.5		RESTRICTED TO -		
2 PLC ±0.13		SCALE 3:2 SHEET 1 OF 1 REV 3		
3 PLC ±0.013				
4 PLC ±0.001				
ANGLES ±-				
FINISH -				
MATERIAL -		CUSTOMER DRAWING		