



Chipsmall Limited consists of a professional team with an average of over 10 year of expertise in the distribution of electronic components. Based in Hongkong, we have already established firm and mutual-benefit business relationships with customers from,Europe,America and south Asia,supplying obsolete and hard-to-find components to meet their specific needs.

With the principle of “Quality Parts,Customers Priority,Honest Operation,and Considerate Service”,our business mainly focus on the distribution of electronic components. Line cards we deal with include Microchip,ALPS,ROHM,Xilinx,Pulse,ON,Everlight and Freescale. Main products comprise IC,Modules,Potentiometer,IC Socket,Relay,Connector.Our parts cover such applications as commercial,industrial, and automotives areas.

We are looking forward to setting up business relationship with you and hope to provide you with the best service and solution. Let us make a better world for our industry!



Contact us

Tel: +86-755-8981 8866 Fax: +86-755-8427 6832

Email & Skype: info@chipsmall.com Web: www.chipsmall.com

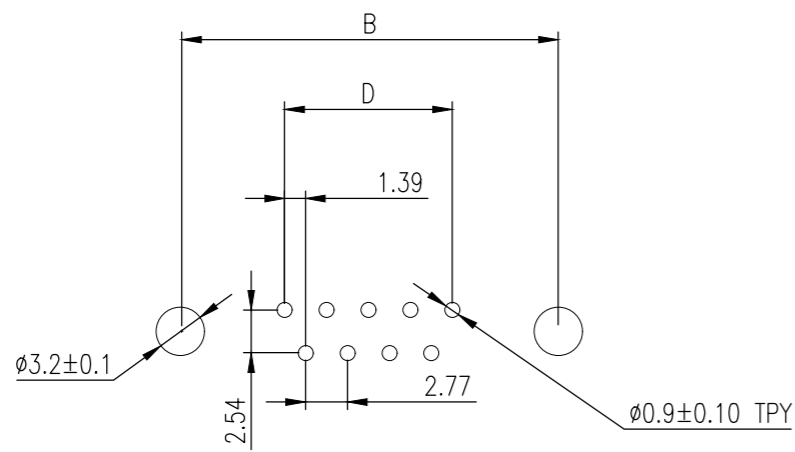
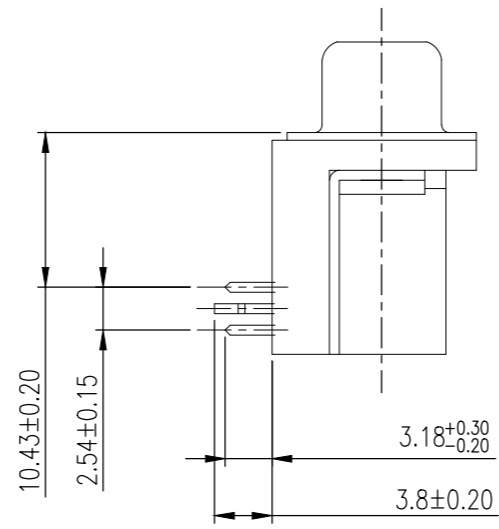
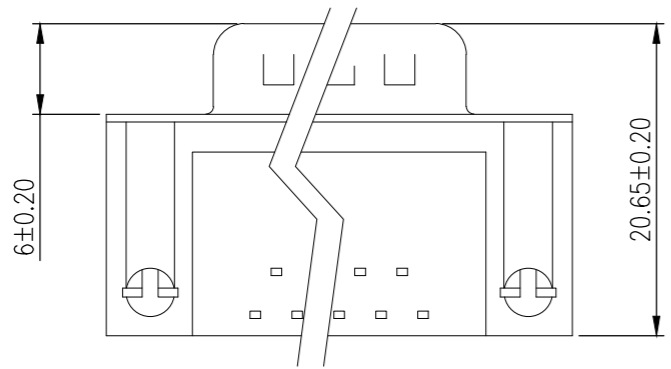
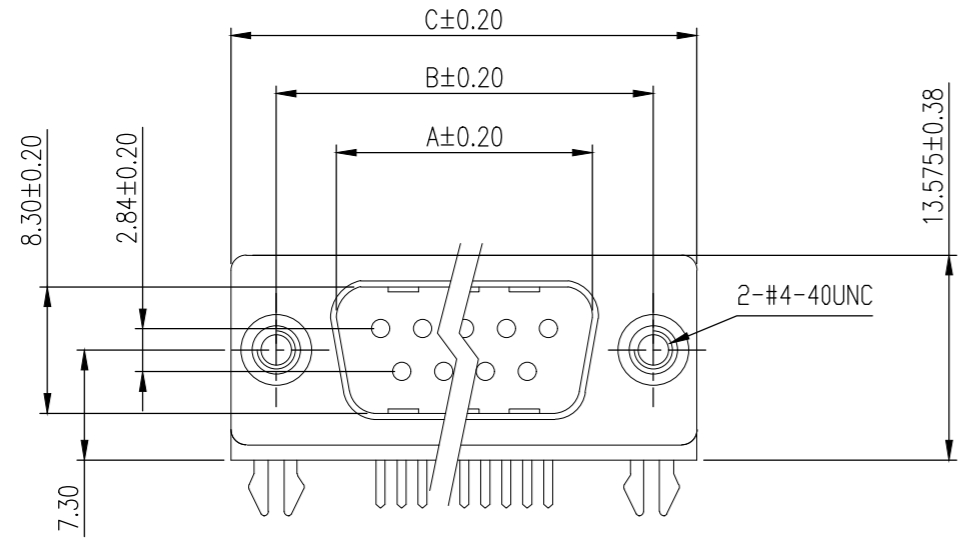
Address: A1208, Overseas Decoration Building, #122 Zhenhua RD., Futian, Shenzhen, China



THIS DRAWING IS UNPUBLISHED. RELEASED FOR PUBLICATION
 © COPYRIGHT - By - ALL RIGHTS RESERVED.

REVISIONS					
P	LTR	DESCRIPTION	DATE	DWN	APVD
H		REVISED PER ECO-18-009360	14JUN2018	AP	DG

PART NUMBER	No. of Contact	A ±0.20	B ±0.20	C ±0.20	D
2301843-1	09	16.90	24.99	30.81	11.08



P.C.B LAYOUT

NOTE:

- MATERIAL:
 HOUSING: PBT WITH 20% GF UL 94 V-0, BLACK COLOR
 CONTACTS: BRASS.
 SHELL: STEEL
 GROUNDING BRACKET: BRASS
 RIVETED INSERT : BRASS
 SCREWLOCK: BRASS
- FINISH:
 CONTACTS: $0.36 \mu\text{m}$ [15μ "] GOLD IN CONTACT AREA.
 $2.54 \mu\text{m}$ [100μ "] MATTE TIN ON SOLDER TAILS
 $1.27 \mu\text{m}$ [50μ "] NICKEL UNDERPLATE OVERALL
 SHELL: $2.54 \mu\text{m}$ [100μ "] NICKEL
 RIVET: $1.27 \mu\text{m}$ [50μ "] NICKEL
 SCREWLOCK: $1.27 \mu\text{m}$ [50μ "] NICKEL
 BOARDLOCK: $1.27 \mu\text{m}$ [50μ "] MIN NICKEL UNDERPLATE.
 $2.54 \mu\text{m}$ [100μ "] MIN MATTE TIN PLATE
- WAVE SOLDER CAPABLE TO 265°C PER TE TEST SPEC. 109-202, CONDITION B.

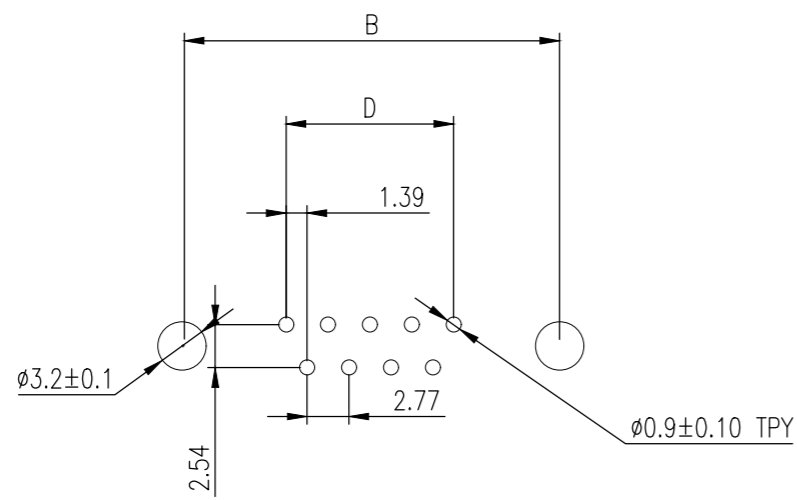
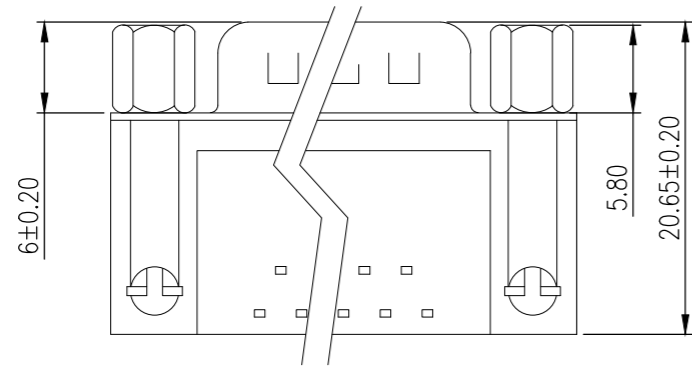
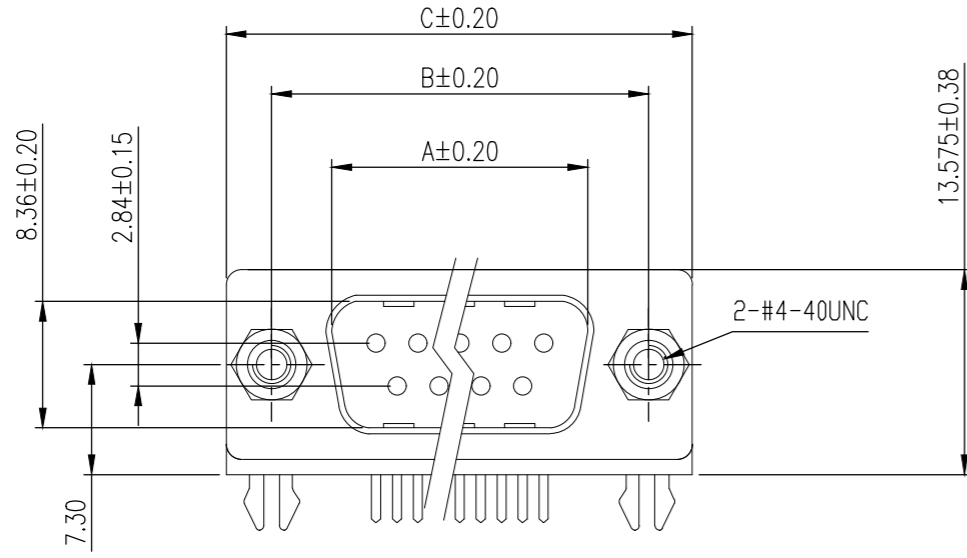
2301843

THIS DRAWING IS A CONTROLLED DOCUMENT.		DWN	AJITH PAI	07FEB2017	9W D PLG W B/L & 4-40 INSERTS 15U" GOLD		2301843-1
DIMENSIONS: mm		CHK	DAN GORENC	07FEB2017	DESCRIPTION		TE PART NO
TOLERANCES UNLESS OTHERWISE SPECIFIED:		APVD		07FEB2017			
0 PLC ± -		PRODUCT SPEC		NAME		9 WAY D-SUB PLUG WITH BOARD LOCK	
1 PLC ± 0.38		108-130013		SIZE		CAGE CODE	DRAWING NO
2 PLC ± 0.25		APPLICATION SPEC		A2		00779	C=2301843
3 PLC ± 0.10		WEIGHT		0		RESTRICTED TO	
4 PLC ± -		CUSTOMER DRAWING		SCALE		2:1	
ANGLES ± 2°		FINISH		SHEET		1 of 4	
MATERIAL		FINISH		REV		H	

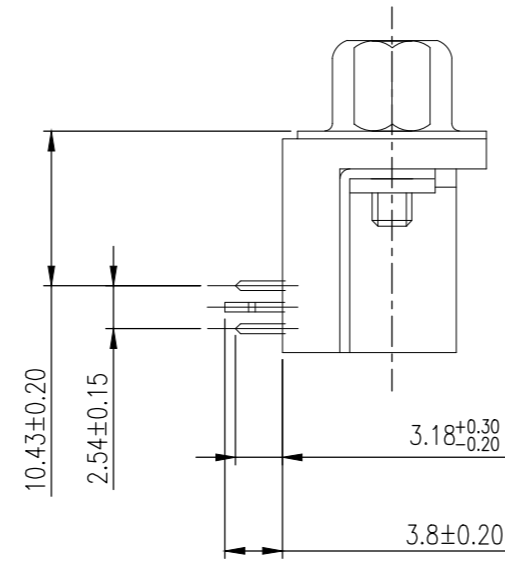
THIS DRAWING IS UNPUBLISHED. RELEASED FOR PUBLICATION
 © COPYRIGHT - By - ALL RIGHTS RESERVED.

REVISIONS					
P	LTR	DESCRIPTION	DATE	DWN	APVD
-	-	SEE SHEET 1	-	-	-

PART NUMBER	No. of Contact	A ±0.20	B ±0.20	C ±0.20	D
2301843-2	09	16.90	24.99	30.81	11.08



P.C.B LAYOUT



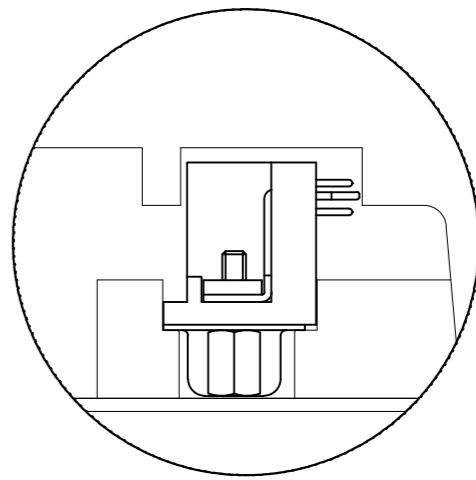
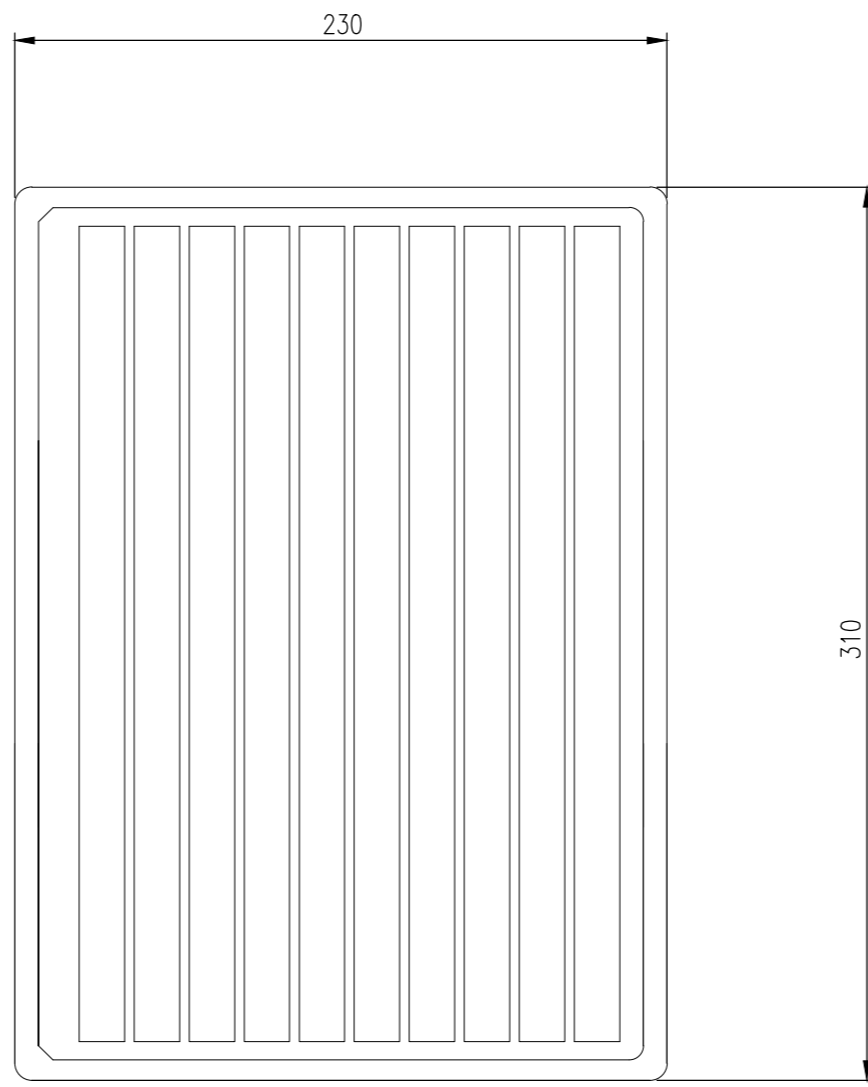
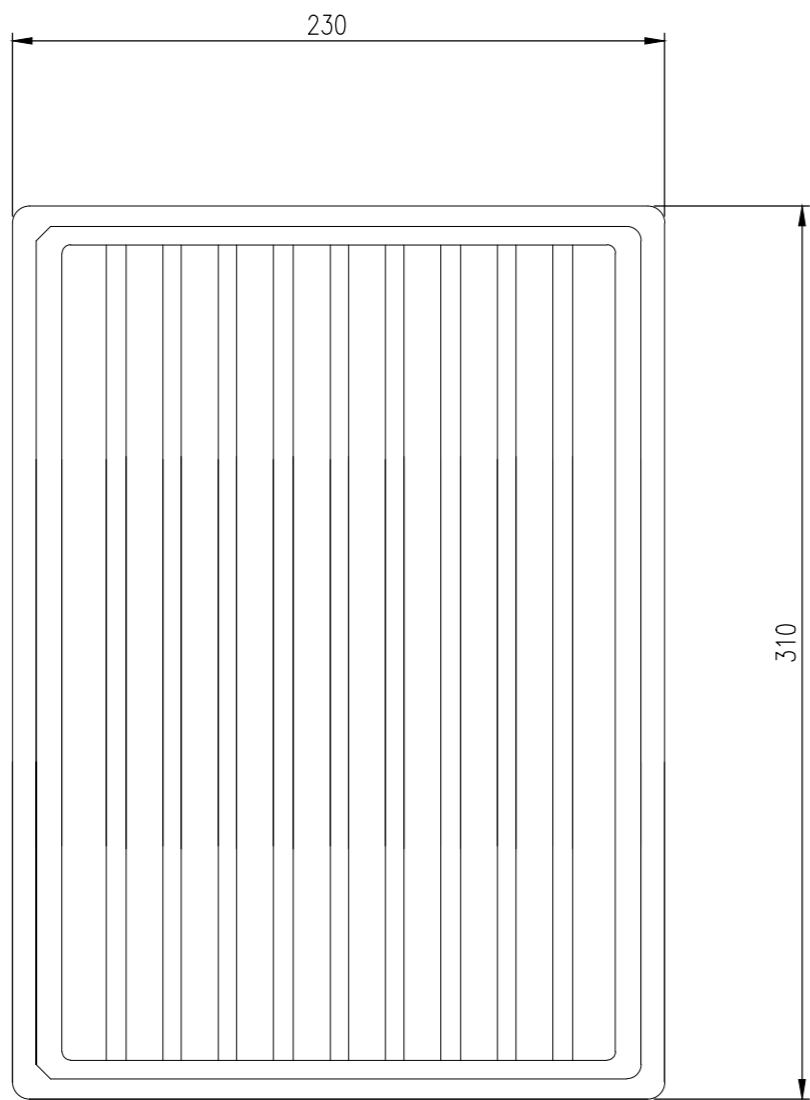
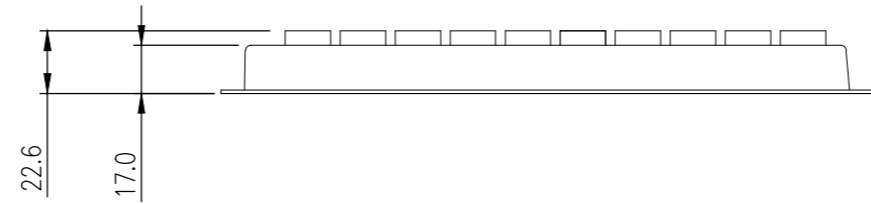
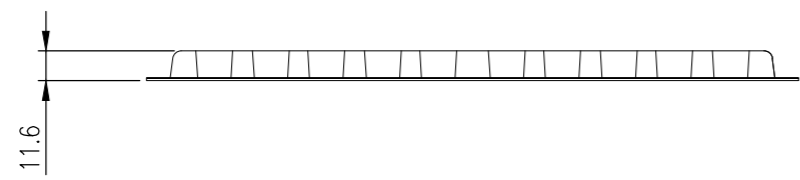
2301843

9W D PLG W B/L & 4-40 S/LOCK 15U" GOLD		2301843-2	
DESCRIPTION		TE PART NO	
TE TE Connectivity			
9 WAY D-SUB PLUG WITH BOARD LOCK			
SIZE	CAGE CODE	DRAWING NO	RESTRICTED TO
A2	00779	C=2301843	-
SCALE 2:1		SHEET 2 of 4	REV H

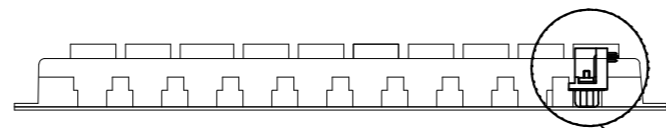
THIS DRAWING IS A CONTROLLED DOCUMENT.		DWN	AJITH PAI	07FEB2017
DIMENSIONS: mm		CHK	DAN GORENC	07FEB2017
		APVD	-	07FEB2017
		PRODUCT SPEC	108-130013	
MATERIAL		APPLICATION SPEC		
FINISH		WEIGHT	0	
		CUSTOMER DRAWING		

THIS DRAWING IS UNPUBLISHED. RELEASED FOR PUBLICATION
 © COPYRIGHT - By - ALL RIGHTS RESERVED.

REVISIONS					
P	LTR	DESCRIPTION	DATE	DWN	APVD
-	-	SEE SHEET 1	-	-	-



DETAIL A

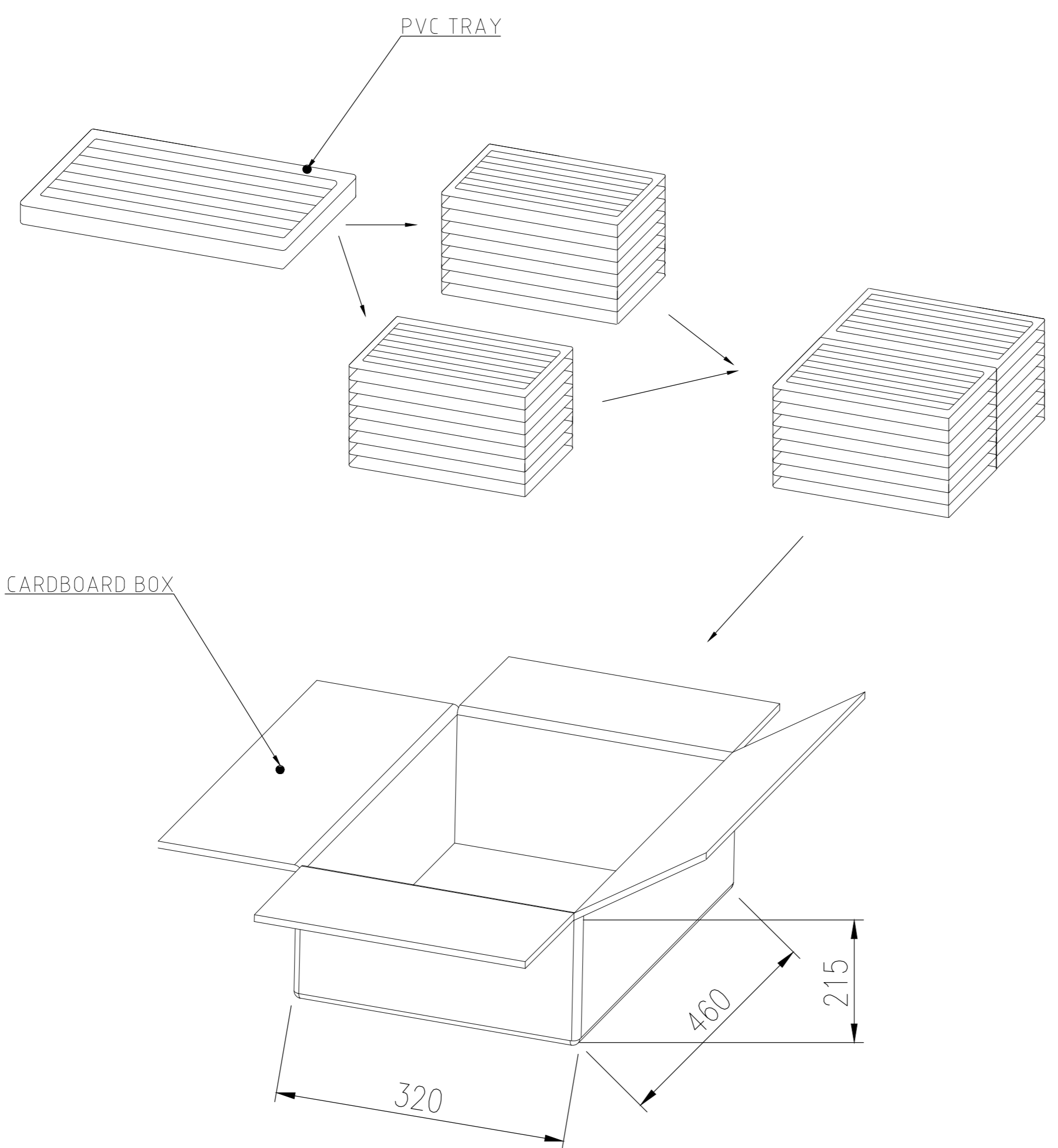


DETAIL A

THIS DRAWING IS A CONTROLLED DOCUMENT.		DWN AJITH PAI 07FEB2017					
DIMENSIONS: mm		CHK DAN GORENC 07FEB2017					
TOLERANCES UNLESS OTHERWISE SPECIFIED:		APVD - 07FEB2017	NAME 9 WAY D-SUB PLUG WITH BOARD LOCK				
0 PLC ± - 1 PLC ± 0.38 2 PLC ± 0.25 3 PLC ± 0.10 4 PLC ± - ANGLES ± -		PRODUCT SPEC 108-130013	SIZE A2	CAGE CODE 00779	DRAWING NO C=2301843	RESTRICTED TO -	
MATERIAL -		FINISH -	WEIGHT 0	SCALE 3:1		SHEET 3 of 4	REV H
CUSTOMER DRAWING							

THIS DRAWING IS UNPUBLISHED. RELEASED FOR PUBLICATION
 © COPYRIGHT - By - ALL RIGHTS RESERVED.

REVISIONS					
P	LTR	DESCRIPTION	DATE	DWN	APVD
-	-	SEE SHEET 1	-	-	-



15.326	13.306	90	16	1440	2301843-2
12.734	10.714	90	16	1440	2301843-1
GROSS WEIGHT (Kg)	NET WEIGHT (Kg)	PCS/TRAY	TRAYS /CARTON	QUANTITY PCS	PART NUMBER

THIS DRAWING IS A CONTROLLED DOCUMENT.		DWN	07FEB2017		
DIMENSIONS: mm		CHK	07FEB2017		
TOLERANCES UNLESS OTHERWISE SPECIFIED:		APVD	07FEB2017		
0 PLC ± - 1 PLC ± 0.38 2 PLC ± 0.25 3 PLC ± 0.10 4 PLC ± - ANGLES ± -		PRODUCT SPEC	108-130013		
MATERIAL		WEIGHT 0		NAME	9 WAY D-SUB PLUG WITH BOARD LOCK
FINISH		CUSTOMER DRAWING		SIZE	A2
		SCALE 1:1		CAGE CODE	00779
		SHEET 4 of 4		DRAWING NO	C=2301843
		REV H		RESTRICTED TO	-

2301843