



Chipsmall Limited consists of a professional team with an average of over 10 year of expertise in the distribution of electronic components. Based in Hongkong, we have already established firm and mutual-benefit business relationships with customers from,Europe,America and south Asia,supplying obsolete and hard-to-find components to meet their specific needs.

With the principle of “Quality Parts,Customers Priority,Honest Operation,and Considerate Service”,our business mainly focus on the distribution of electronic components. Line cards we deal with include Microchip,ALPS,ROHM,Xilinx,Pulse,ON,Everlight and Freescale. Main products comprise IC,Modules,Potentiometer,IC Socket,Relay,Connector.Our parts cover such applications as commercial,industrial, and automotives areas.

We are looking forward to setting up business relationship with you and hope to provide you with the best service and solution. Let us make a better world for our industry!



Contact us

Tel: +86-755-8981 8866 Fax: +86-755-8427 6832

Email & Skype: info@chipsmall.com Web: www.chipsmall.com

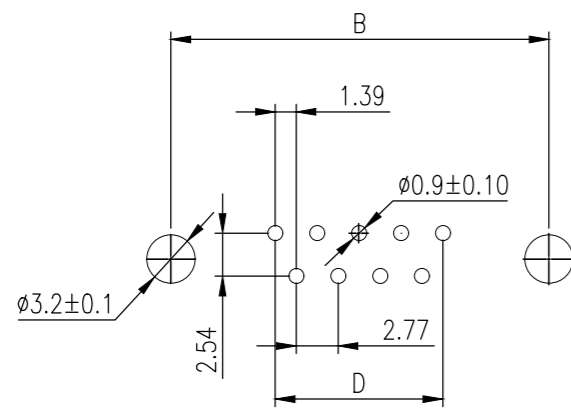
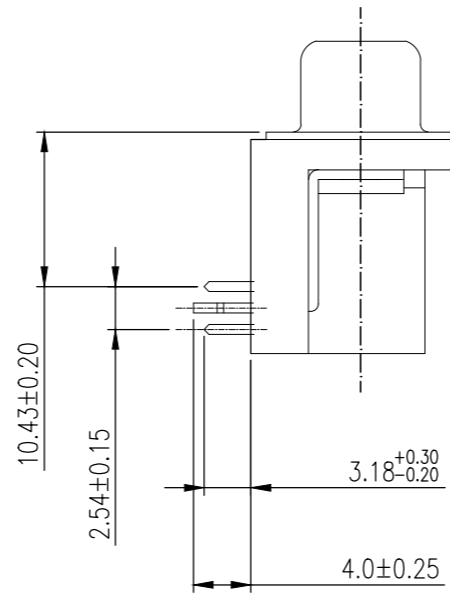
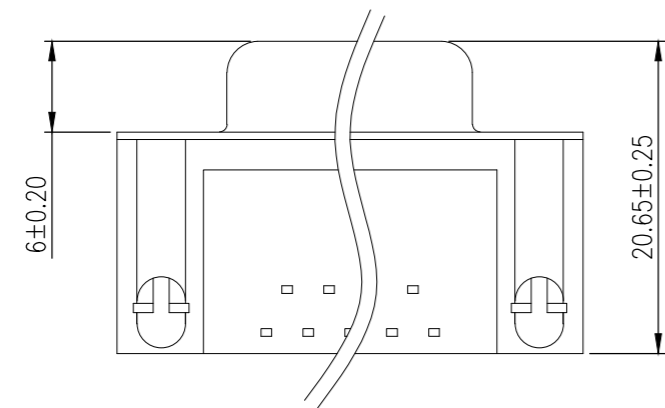
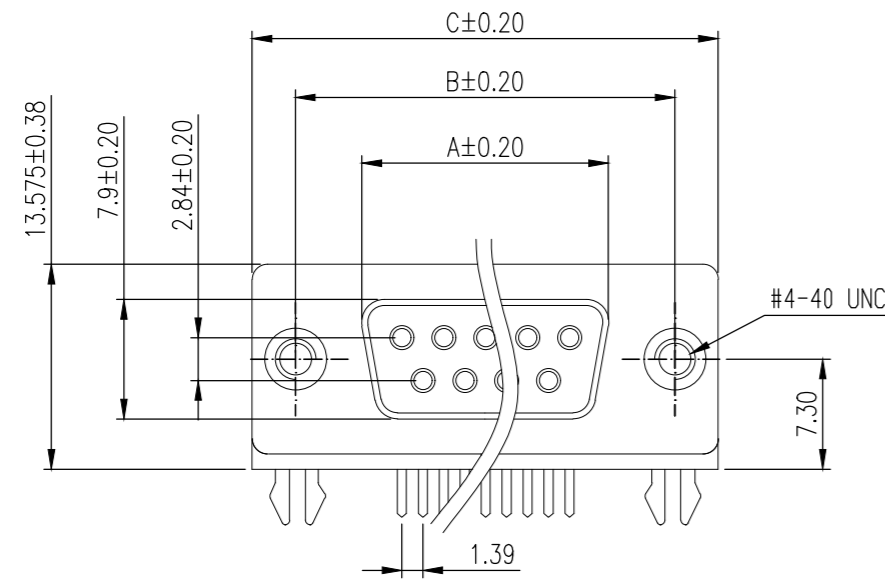
Address: A1208, Overseas Decoration Building, #122 Zhenhua RD., Futian, Shenzhen, China



THIS DRAWING IS UNPUBLISHED. RELEASED FOR PUBLICATION
 © COPYRIGHT - By - ALL RIGHTS RESERVED.

REVISIONS					
P	LTR	DESCRIPTION	DATE	DWN	APVD
H		REVISED PER ECO-18-009360	15JUN2018	AP	DG

PART NUMBER	No. of Contact	A ±0.20	B ±0.20	C ±0.20	D
2301844-1	09	16.34	24.99	30.81	11.08



P.C.B LAYOUT

NOTE:

- MATERIAL:
 HOUSING: PBT WITH 20% GF UL 94 V-0, BLACK COLOR
 CONTACTS: PHOSPHOR BRONZE.
 SHELL: STEEL
 GROUNDING BRACKET: BRASS
 RIVETED INSERT: BRASS
 SCREWLOCK: BRASS
- FINISH:
 CONTACTS: 0.36 µm [15 µ"] GOLD IN CONTACT AREA.
 2.54 µm [100µ"] MATTE TIN ON SOLDER TAILS
 1.27 µm [50 µ"] NICKEL UNDERPLATE OVERALL
 SHELL: 2.54 µm [100µ"] NICKEL
 RIVET: 1.27 µm [50 µ"] NICKEL
 SCREWLOCK: 1.27 µm [50 µ"] NICKEL
 BOARDLOCK: 1.27µm [50µ"] MIN NICKEL UNDERPLATE.
 2.54µm [100µ"] MIN MATTE TIN PLATE
- WAVE SOLDER CAPABLE TO 265°C PER TE TEST SPEC. 109-202, CONDITION B.

2301844

9W D SKT W B/L & 4-40 INSERTS 15U" GOLD		2301844-1
DESCRIPTION		TE PART NO
TE TE Connectivity		
NAME 9 WAY D-SUB SOCKET WITH BOARD LOCK		
SIZE	CAGE CODE	DRAWING NO
A2	00779	C=2301844
RESTRICTED TO	SCALE	SHEET
-	3:1	1 of 4
REV	H	

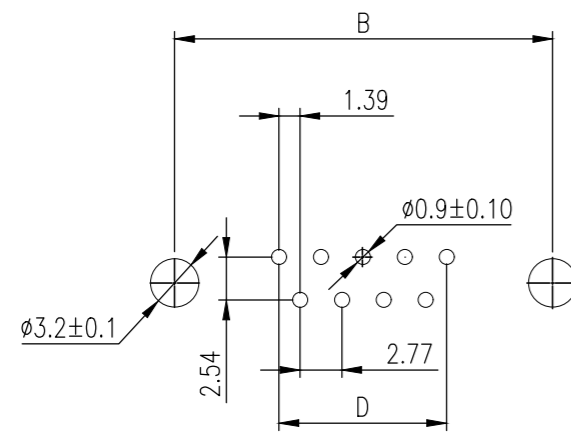
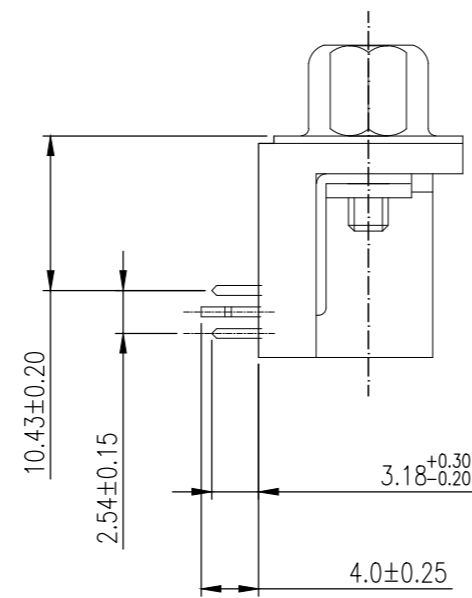
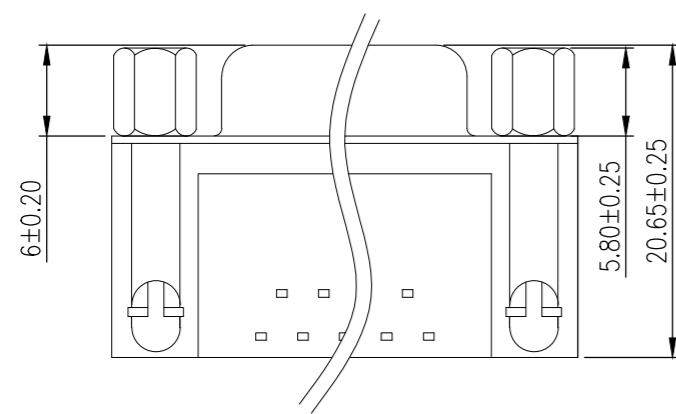
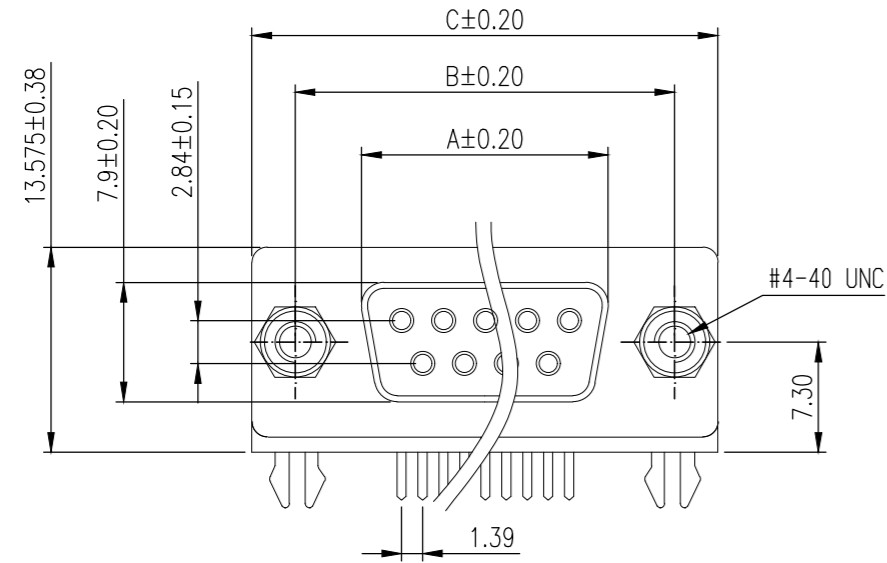
THIS DRAWING IS A CONTROLLED DOCUMENT.		DWN	07FEB2017
		CHK	07FEB2017
		APVD	07FEB2017
		PRODUCT SPEC	108-130013
		APPLICATION SPEC	-
		WEIGHT	0
CUSTOMER DRAWING			

DIMENSIONS:	TOLERANCES UNLESS OTHERWISE SPECIFIED:
mm	
0 PLC	± -
1 PLC	± 0.38
2 PLC	± 0.25
3 PLC	± 0.10
4 PLC	± -
ANGLES	± 2°

THIS DRAWING IS UNPUBLISHED. RELEASED FOR PUBLICATION
 © COPYRIGHT - By - ALL RIGHTS RESERVED.

REVISIONS					
P	LTR	DESCRIPTION	DATE	DWN	APVD
-	-	SEE SHEET 1	-	-	-

PART NUMBER	No. of Contact	A ±0.20	B ±0.20	C ±0.20	D
2301844-2	09	16.34	24.99	30.81	11.08



P.C.B LAYOUT

2301844

9W D SKT W B/L & 4-40 S/LOCK 15U" GOLD	2301844-2
DESCRIPTION	TE PART NO

TE TE Connectivity

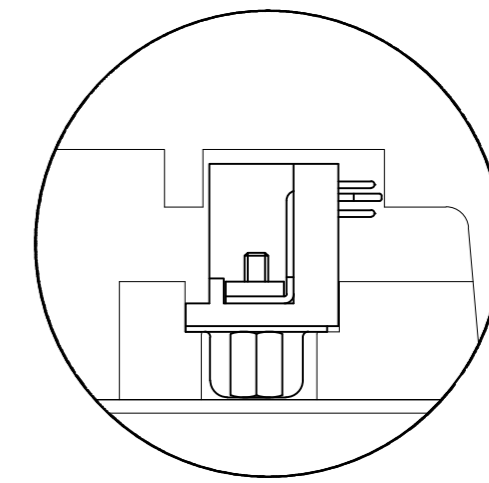
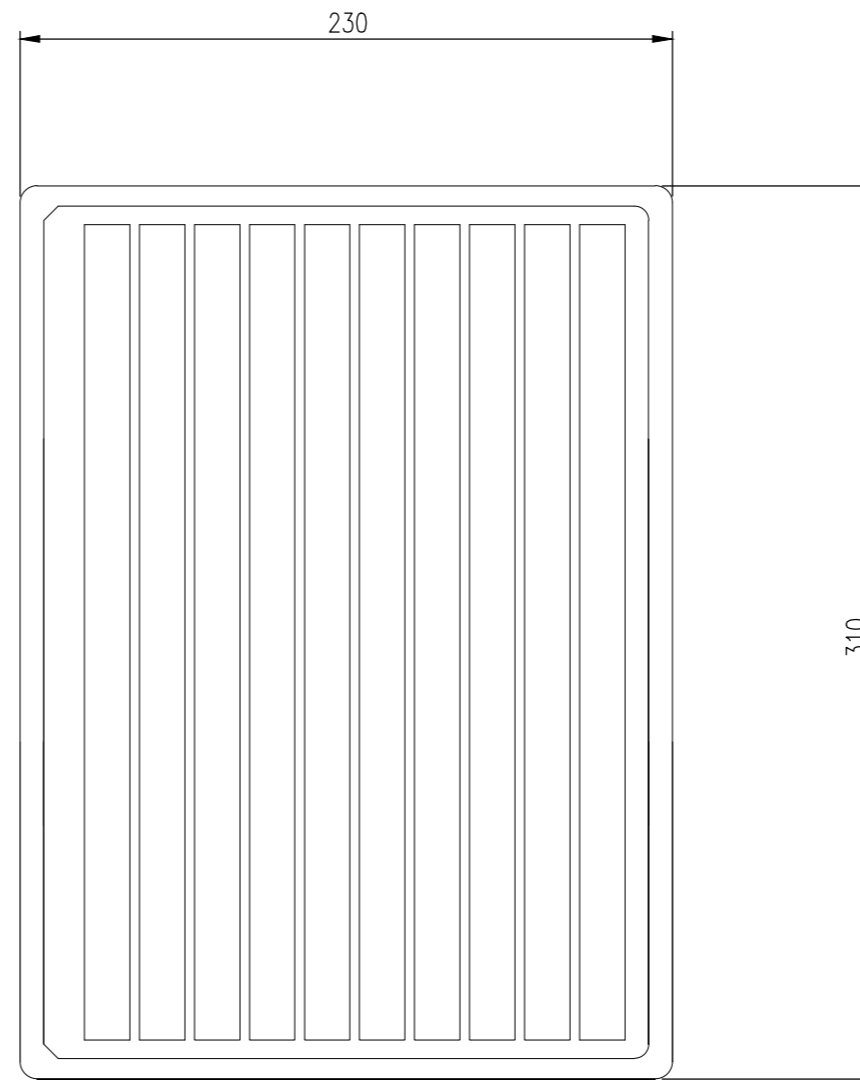
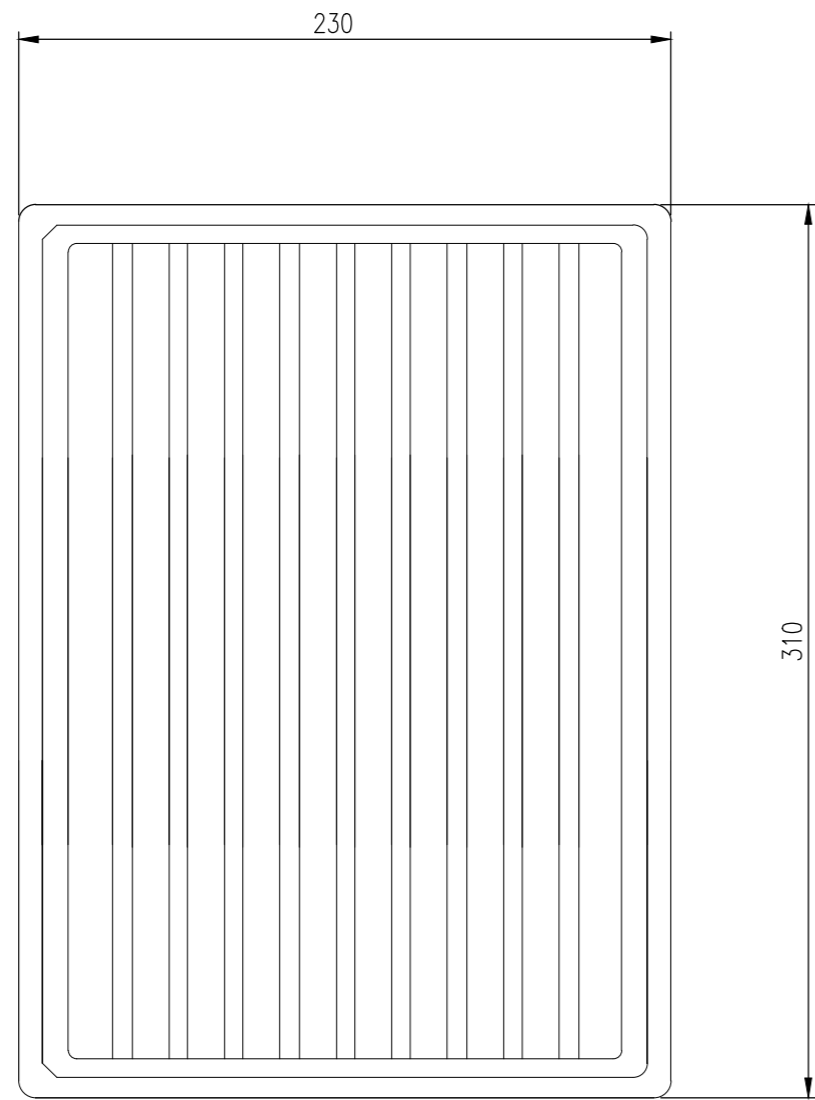
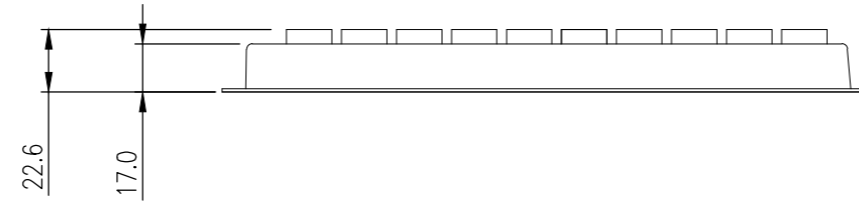
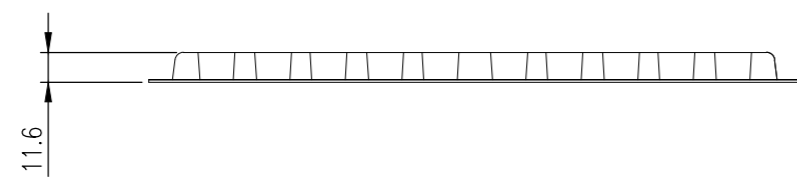
NAME			
9 WAY D-SUB SOCKET WITH BOARD LOCK			
SIZE	CAGE CODE	DRAWING NO	RESTRICTED TO
A2	00779	C=2301844	-
SCALE		SHEET	REV
3:1		2 of 4	H

THIS DRAWING IS A CONTROLLED DOCUMENT.		DWN	07FEB2017
		CHK	07FEB2017
		APVD	07FEB2017
		PRODUCT SPEC	108-130013
		APPLICATION SPEC	-
		WEIGHT	0
CUSTOMER DRAWING			

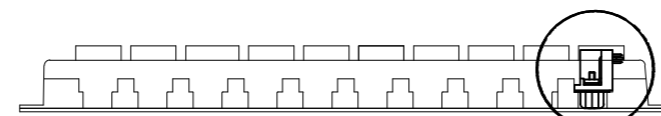
DIMENSIONS:	TOLERANCES UNLESS OTHERWISE SPECIFIED:
mm	
	0 PLC ± -
	1 PLC ± 0.38
	2 PLC ± 0.25
	3 PLC ± 0.10
	4 PLC ± -
ANGLES	± -
MATERIAL	FINISH
-	-

THIS DRAWING IS UNPUBLISHED. RELEASED FOR PUBLICATION
 © COPYRIGHT - By - ALL RIGHTS RESERVED.

REVISIONS					
P	LTR	DESCRIPTION	DATE	DWN	APVD
-	-	SEE SHEET 1	-	-	-



DETAIL A

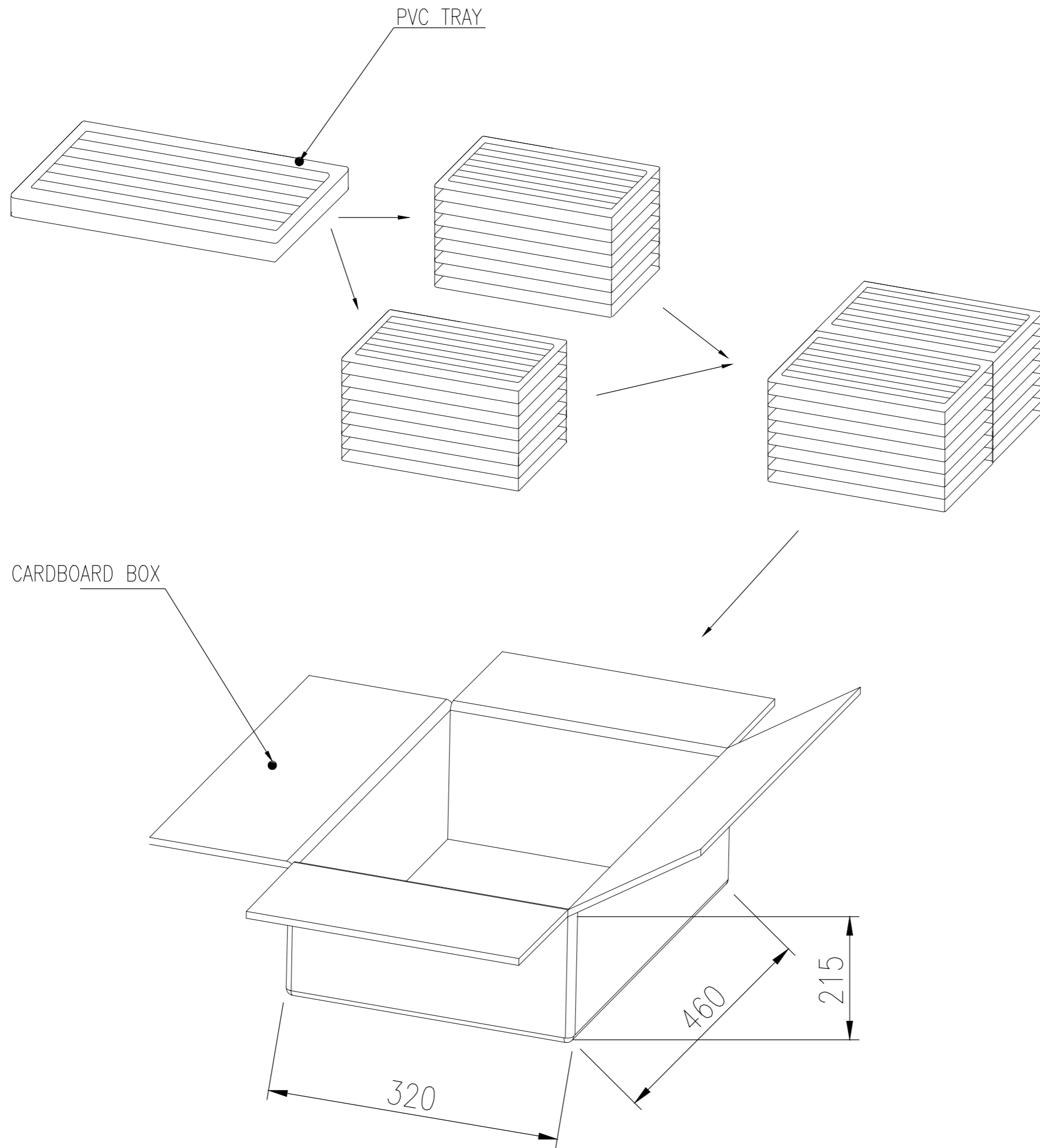


DETAIL A

THIS DRAWING IS A CONTROLLED DOCUMENT.		DWN AJITH PAI 07FEB2017					
DIMENSIONS: mm		CHK DAN GORENC 07FEB2017					
TOLERANCES UNLESS OTHERWISE SPECIFIED:		APVD - 07FEB2017	NAME 9 WAY D-SUB SOCKET WITH BOARD LOCK				
0 PLC ± - 1 PLC ± 0.38 2 PLC ± 0.25 3 PLC ± 0.10 4 PLC ± - ANGLES ± -		PRODUCT SPEC 108-130013	SIZE A2	CAGE CODE 00779	DRAWING NO C=2301844	RESTRICTED TO -	
MATERIAL -		FINISH -	WEIGHT 0	SCALE 3:1		SHEET 3 of 4	REV H
CUSTOMER DRAWING							

THIS DRAWING IS UNPUBLISHED. RELEASED FOR PUBLICATION
 © COPYRIGHT - By - ALL RIGHTS RESERVED.

REVISIONS					
P	LTR	DESCRIPTION	DATE	DWN	APVD
-	-	SEE SHEET 1	-	-	-



15.672	13.651	90	16	1440	2301844-2
13.080	11.059	90	16	1440	2301844-1
GROSS WEIGHT	NET WEIGHT	PCS/TRAY	TRAYS / CARTON	QUANTITY	PART NUMBER

THIS DRAWING IS A CONTROLLED DOCUMENT.		DWN AJITH PAI 07FEB2017			
DIMENSIONS: mm		CHK DAN GORENC 07FEB2017			
TOLERANCES UNLESS OTHERWISE SPECIFIED:		APVD - 07FEB2017	NAME 9 WAY D-SUB SOCKET WITH BOARD LOCK		
0 PLC ± -		PRODUCT SPEC 108-130013	SIZE A2	CAGE CODE 00779	DRAWING NO C=2301844
1 PLC ± 0.38		APPLICATION SPEC -	RESTRICTED TO -		
2 PLC ± 0.25		WEIGHT 0	SCALE 1:1	SHEET 4 of 4	REV H
3 PLC ± 0.10		CUSTOMER DRAWING			
4 PLC ± -					
ANGLES ± -					
FINISH -					

2301844