



Chipsmall Limited consists of a professional team with an average of over 10 year of expertise in the distribution of electronic components. Based in Hongkong, we have already established firm and mutual-benefit business relationships with customers from,Europe,America and south Asia,supplying obsolete and hard-to-find components to meet their specific needs.

With the principle of “Quality Parts,Customers Priority,Honest Operation,and Considerate Service”,our business mainly focus on the distribution of electronic components. Line cards we deal with include Microchip,ALPS,ROHM,Xilinx,Pulse,ON,Everlight and Freescale. Main products comprise IC,Modules,Potentiometer,IC Socket,Relay,Connector.Our parts cover such applications as commercial,industrial, and automotives areas.

We are looking forward to setting up business relationship with you and hope to provide you with the best service and solution. Let us make a better world for our industry!



## Contact us

Tel: +86-755-8981 8866 Fax: +86-755-8427 6832

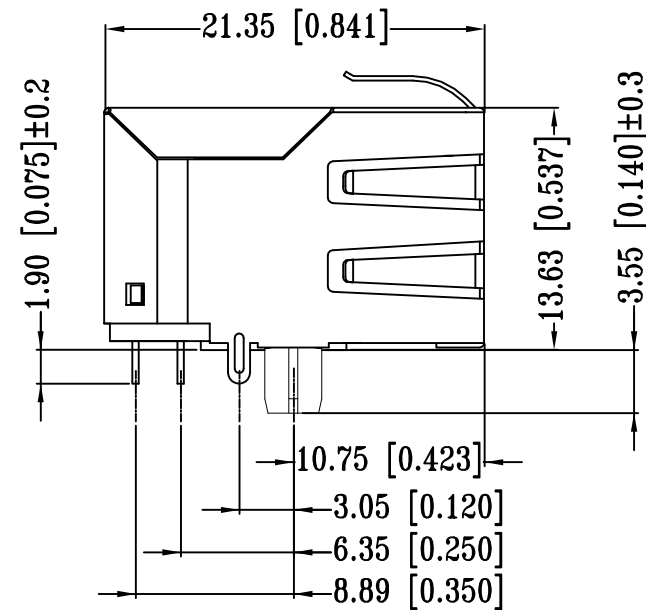
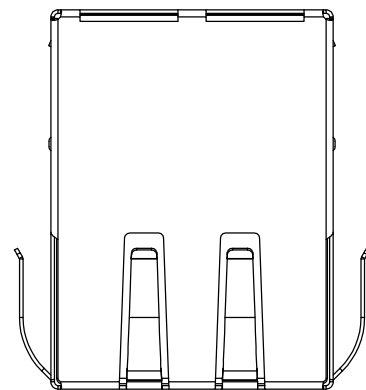
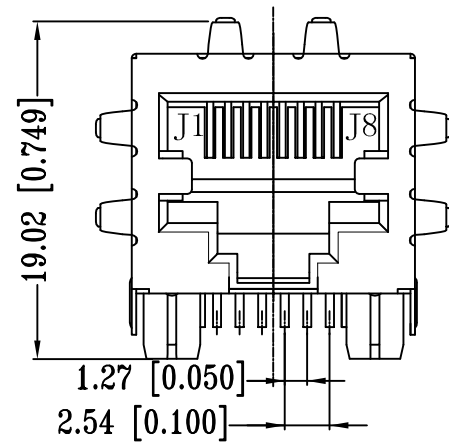
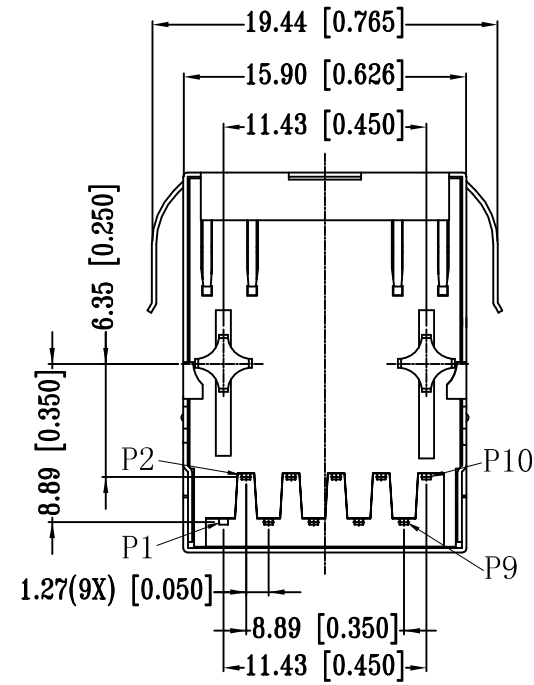
Email & Skype: info@chipsmall.com Web: www.chipsmall.com

Address: A1208, Overseas Decoration Building, #122 Zhenhua RD., Futian, Shenzhen, China

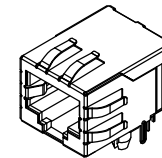


REVISIONS

P	LTR	DESCRIPTION	DATE	DWN	APVD
	B2	REV. PER PCN E-17-002286	18AUG2017	GCM	MSZ



- 1 CONNECTOR MATERIAL:  
HOUSING: LCP BLACK UL94 V-0  
INSERT: LCP BLACK UL94 V-0  
SHIELD: BRASS  
SHIELD PLATING: NICKEL  
CONTACT: COPPER ALLOY  
CONTACT PLATING: SELECTIVE GOLD, MIN. 0.76µm (30µinch) IN CONTACT AREA  
OVER MIN. 1.27µm (50µinch) NICKEL  
SOLDER PIN PLATING: 3.05µm (120µinch) TIN OVER 1.02µm (40µinch) NICKEL OVER ALL  
SHIELDING PIN PLATING: NICKEL
- 2 PIN NOT ELECTRICALLY CONNECTED MAYBE OMITTED SEE ELECTRICAL CIRCUIT DIAGRAM FOR OMITTED PINS
- 3 RJ45 CAVITIES CONFORM TO FCC RULES AND REGULATION PART 68
- 4 THE PART IS RECOMMENDED FOR REFLOW SOLDERING PROCESS PEAK  
SOLDERING: TEMPERATURE MAX. +260° C, MAX. 10s
- 5 OPERATING TEMPERATURE: T= -40° C TO +85° C
- 6 STORAGE TEMPERATURE: T= -40° C TO +85° C
- 7 UNLESS OTHERWISE SPECIFIED, SEE TABLE FOR ALL DIMENSIONS TOLERANCES
- 8 JACK CONFIGURATION: 1 x 1  
TAB DIRECTION: DOWN
- 9 PACKAGING: REEL (T+R) ACCORDING TO PACKAGING SPECIFICATION 107-18116



1:1

TABLE OF TOLERANCE (mm)	
RANGE	TOLERANCE
0-10	±0.15
>10-40	±0.25
>40-70	±0.30
>70	±0.40

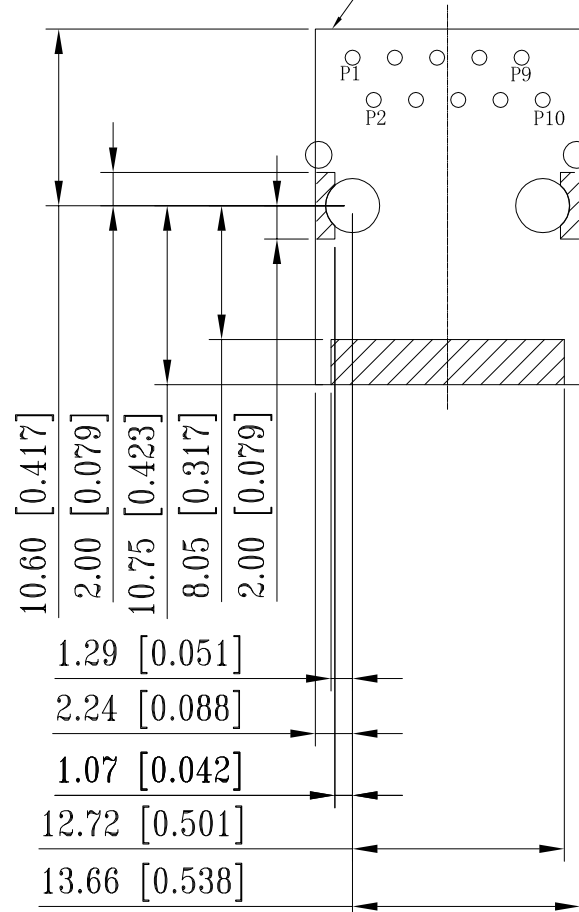
THIS DRAWING IS A CONTROLLED DOCUMENT.		DWN GANESH C M 27AUG2016																
DIMENSIONS: mm [INCHES]		CHK FRANZ MUELLER 27AUG2016																
TOLERANCES UNLESS OTHERWISE SPECIFIED:		APVD MARTIN SZELAG 27AUG2016	NAME RJ45 JACK INT.MAG. 1Gb 1x1															
<table border="0"> <tr> <td>0 PLC</td><td>± -</td><td rowspan="5">7</td> </tr> <tr> <td>1 PLC</td><td>± -</td> </tr> <tr> <td>2 PLC</td><td>± -</td> </tr> <tr> <td>3 PLC</td><td>± -</td> </tr> <tr> <td>4 PLC</td><td>± -</td> </tr> <tr> <td>ANGLES</td><td>± -</td><td></td> </tr> </table>		0 PLC	± -	7	1 PLC	± -	2 PLC	± -	3 PLC	± -	4 PLC	± -	ANGLES	± -		PRODUCT SPEC 108-94552	SIZE A3	
0 PLC	± -	7																
1 PLC	± -																	
2 PLC	± -																	
3 PLC	± -																	
4 PLC	± -																	
ANGLES	± -																	
MATERIAL		APPLICATION SPEC 114-94447	CAGE CODE 00779	DRAWING NO C-2301994-6														
FINISH		WEIGHT	RESTRICTED TO -															
1		CUSTOMER DRAWING		SCALE 3:1														
1		SHEET 1 of 3		REV B2														

REVISIONS

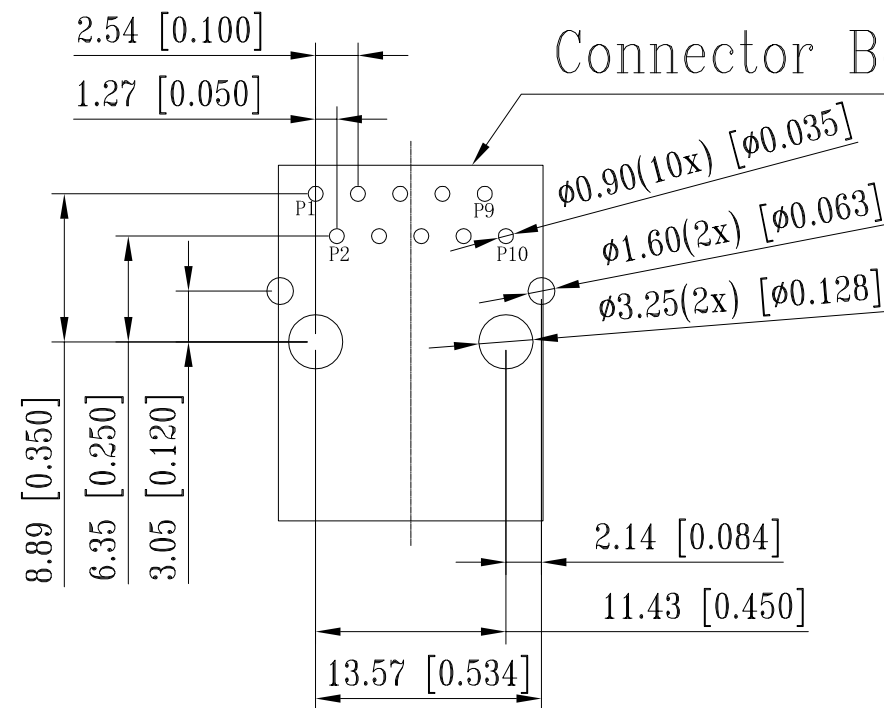
P	LTR	DESCRIPTION	DATE	DWN	APVD
-	-	SEE SHEET 1	-	-	-

SUGGESTED PCB LAYOUT

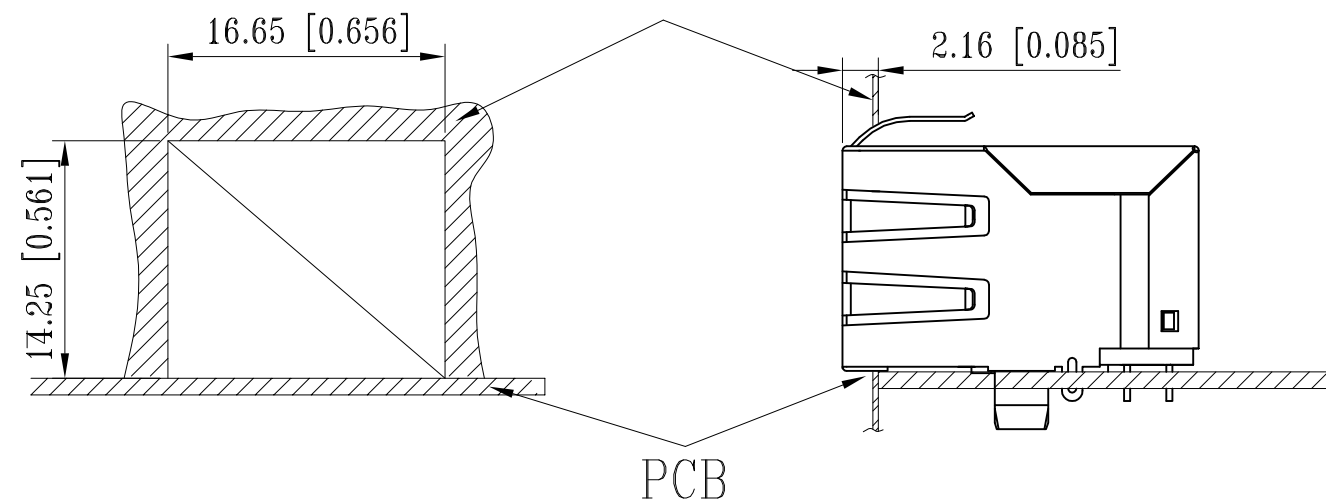
Connector Boundary



Connector Boundary



METAL PANEL



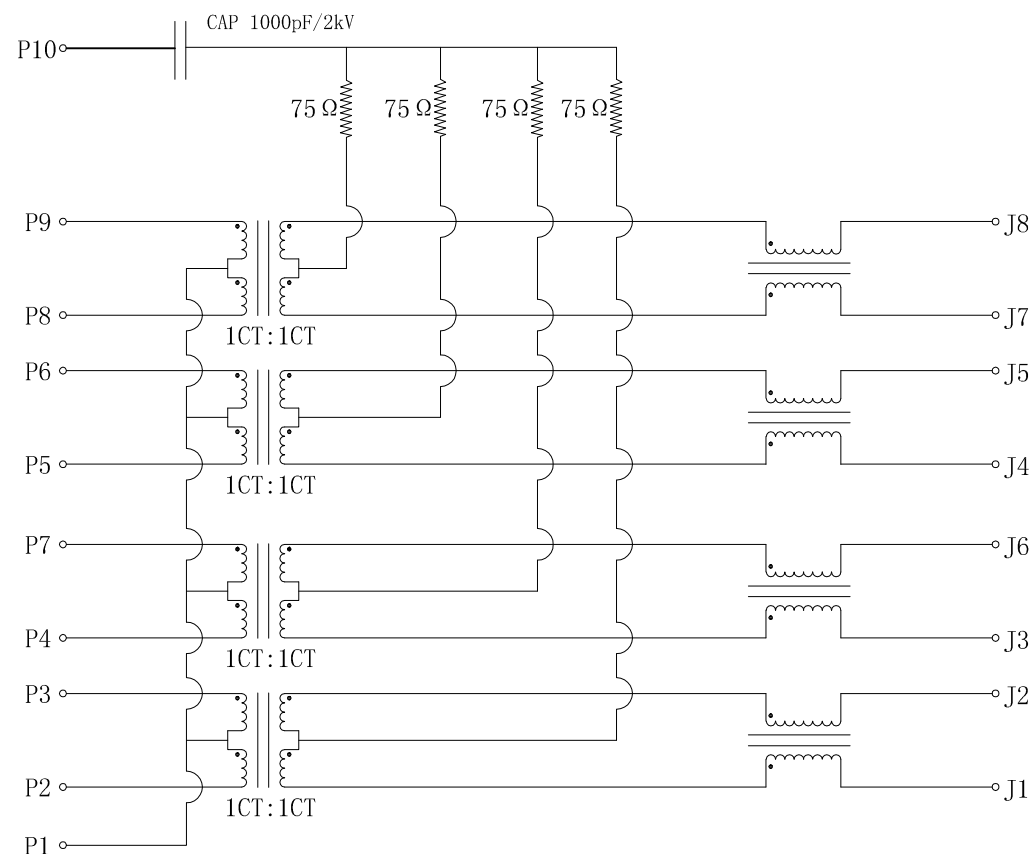
UNIT: mm / inch  
TOLERANCES:  $\pm 0.10$  / 0.004

THIS DRAWING IS A CONTROLLED DOCUMENT.		DWN GANESH C M 27AUG2016	TE Connectivity															
DIMENSIONS: mm [INCHES]		CHK FRANZ MUELLER 27AUG2016																
TOLERANCES UNLESS OTHERWISE SPECIFIED:		APVD MARTIN SZELAG 27AUG2016	NAME RJ45 JACK INT.MAG. 1Gb 1x1															
<table border="0"> <tr> <td>0 PLC</td><td><math>\pm -</math></td><td rowspan="5"></td> </tr> <tr> <td>1 PLC</td><td><math>\pm -</math></td> </tr> <tr> <td>2 PLC</td><td><math>\pm -</math></td> </tr> <tr> <td>3 PLC</td><td><math>\pm -</math></td> </tr> <tr> <td>4 PLC</td><td><math>\pm -</math></td> </tr> <tr> <td>ANGLES</td><td><math>\pm -</math></td><td></td> </tr> </table>		0 PLC	$\pm -$		1 PLC	$\pm -$	2 PLC	$\pm -$	3 PLC	$\pm -$	4 PLC	$\pm -$	ANGLES	$\pm -$		PRODUCT SPEC 108-94552	SIZE A3	
0 PLC	$\pm -$																	
1 PLC	$\pm -$																	
2 PLC	$\pm -$																	
3 PLC	$\pm -$																	
4 PLC	$\pm -$																	
ANGLES	$\pm -$																	
MATERIAL 		FINISH 	APPLICATION SPEC 114-94447	CAGE CODE 00779	DRAWING NO C-2301994-6													
		WEIGHT	RESTRICTED TO -	SCALE 3:1	SHEET 2 of 3													
		CUSTOMER DRAWING	REV B2															

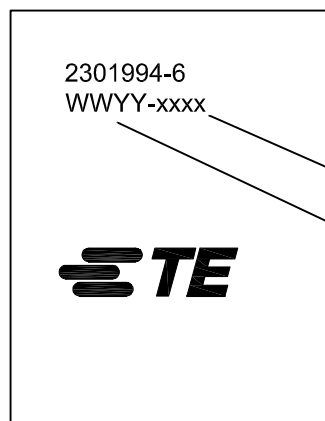
REVISIONS

P	LTR	DESCRIPTION	DATE	DWN	APVD
-	-	SEE SHEET 1	-	-	-

ELECTRICAL CIRCUIT DIAGRAM



- 1.0 Turn Ratio @100kHz: (P2~P3):(J1~J2) = 1:1±2%  
(P4~P7):(J3~J6) = 1:1±2%  
(P5~P6):(J4~J5) = 1:1±2%  
(P8~P9):(J7~J8) = 1:1±2%
- 2.0 Primary Inductance: 350µH MIN. @100kHz, 0.1V 8mA DC BIAS
- 3.0 DC Resistance: 1.2 OHMS MAX.
- 4.0 Insertion Loss: 1-100MHz -1.0dB MAX.  
100-125MHz -1.2dB MAX.
- 5.0 Return Loss: 1-40MHz -16dB MIN.  
40-60MHz -12dB MIN.  
60-80MHz -10dB MIN.  
80-100MHz -8dB MIN.
- 6.0 CROSS TALK: 1-100MHz -30dB MIN.
- 7.0 COMMON TO COMMON MODE ATTENUATION: 1-100MHz -30dB MIN.
- 8.0 Isolation: PHY Side to Line Side: 2250VDC



2301994-6  
WWYY-xxxx

CONTROL CODE

DATE CODE

"0213"

YY-YEAR

WW-WEEK

FCC

THIS DRAWING IS A CONTROLLED DOCUMENT.		DWN 27AUG2016 GANESH C M	TE Connectivity	
DIMENSIONS: mm [INCHES]		CHK 27AUG2016 FRANZ MUELLER		
	TOLERANCES UNLESS OTHERWISE SPECIFIED:	APVD 27AUG2016 MARTIN SZELAG	NAME RJ45 JACK INT.MAG. 1Gb 1x1	
	0 PLC ± - 1 PLC ± - 2 PLC ± - 3 PLC ± - 4 PLC ± - ANGLES ± -	7	PRODUCT SPEC 108-94552	SIZE A3
MATERIAL	FINISH	APPLICATION SPEC 114-94447	DRAWING NO C=2301994-6	RESTRICTED TO -
1	1	WEIGHT	CUSTOMER DRAWING	
			SCALE 3:1	SHEET 3 of 3
			REV B2	