



Chipsmall Limited consists of a professional team with an average of over 10 year of expertise in the distribution of electronic components. Based in Hongkong, we have already established firm and mutual-benefit business relationships with customers from,Europe,America and south Asia,supplying obsolete and hard-to-find components to meet their specific needs.

With the principle of “Quality Parts,Customers Priority,Honest Operation,and Considerate Service”,our business mainly focus on the distribution of electronic components. Line cards we deal with include Microchip,ALPS,ROHM,Xilinx,Pulse,ON,Everlight and Freescale. Main products comprise IC,Modules,Potentiometer,IC Socket,Relay,Connector.Our parts cover such applications as commercial,industrial, and automotives areas.

We are looking forward to setting up business relationship with you and hope to provide you with the best service and solution. Let us make a better world for our industry!



Contact us

Tel: +86-755-8981 8866 Fax: +86-755-8427 6832

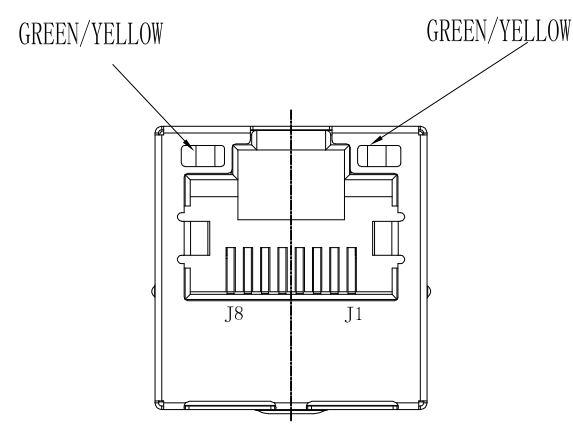
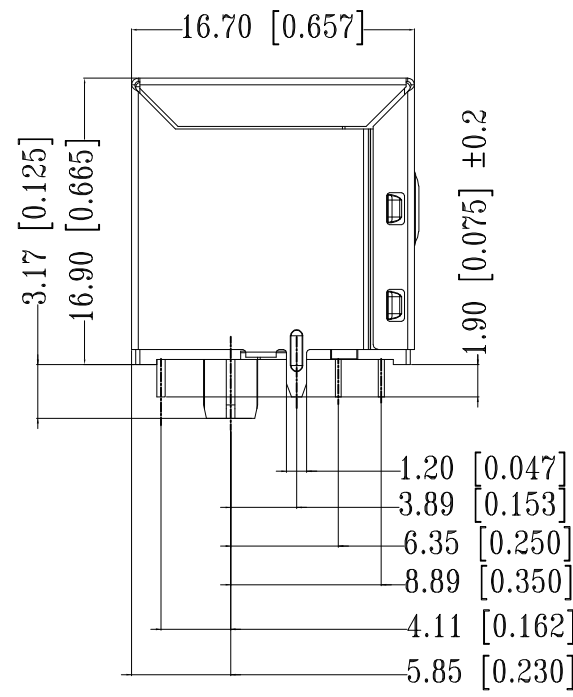
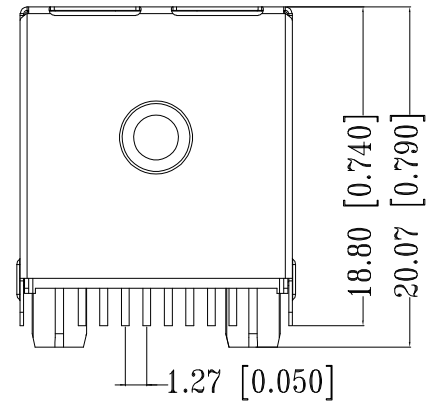
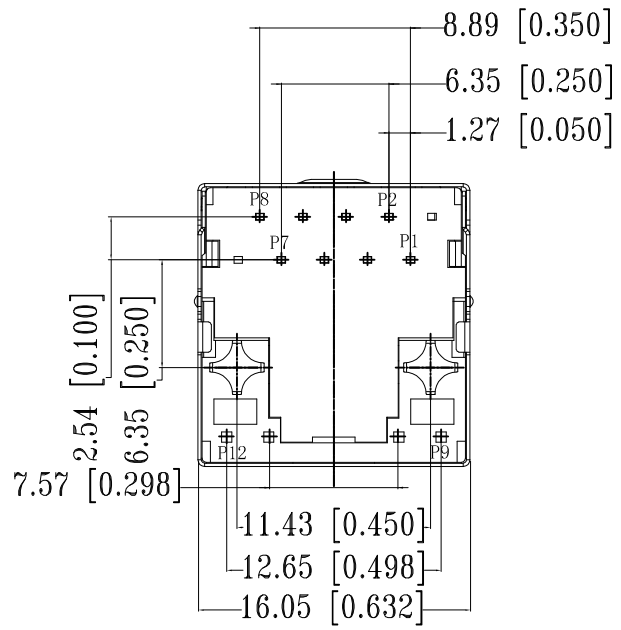
Email & Skype: info@chipsmall.com Web: www.chipsmall.com

Address: A1208, Overseas Decoration Building, #122 Zhenhua RD., Futian, Shenzhen, China

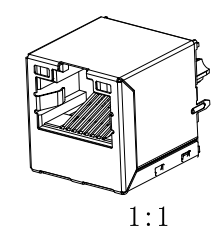


THIS DRAWING IS UNPUBLISHED
 RELEASED FOR PUBLICATION
 - . 2017.
 © COPYRIGHT - 2017 by TE Connectivity Germany GmbH ALL RIGHTS RESERVED.

| REVISIONS | | | | |
|-----------|-----|-------------|-----------|----------|
| P | LTR | DESCRIPTION | DATE | DWN APVD |
| | A1 | New Release | 09MAR2017 | GCMMSZ |



- △ CONNECTOR MATERIAL:
 HOUSING: LCP BLACK UL94 V-0
 INSERT: LCP BLACK UL94 V-0
 SHIELD: BRASS
 SHIELD PLATING: NICKEL
 CONTACT: COPPER ALLOY
 CONTACT PLATING: SELECTIVE GOLD, MIN. 0.76µm (30µinch) IN CONTACT AREA
 OVER MIN. 1.27µm (50µinch) NICKEL
 SOLDER PIN PLATING: 3.05µm (120µinch) TIN OVER 1.02µm (40µinch) NICKEL
 OVER ALL
 SHIELDING PIN PLATING: NICKEL
- 2 PIN NOT ELECTRICALLY CONNECTED MAYBE OMITTED SEE ELECTRICAL CIRCUIT DIAGRAM FOR OMITTED PINS
- 3 RJ45 CAVITIES CONFORM TO FCC RULES AND REGULATION PART 68
- 4 THE PART IS RECOMMENDED FOR REFLOW SOLDERING PROCESS PEAK SOLDERING: TEMPERATURE MAX. +260° C, MAX. 10s
- 5 OPERATING TEMPERATURE: T= -40° C TO +85° C
- 6 STORAGE TEMPERATURE: T= -40° C TO +85° C
- △ UNLESS OTHERWISE SPECIFIED, SEE TABLE FOR ALL DIMENSIONS TOLERANCES
- 8 JACK CONFIGURATION: 1 x 1
 TAB DIRECTION: UP
- 9 PACKAGING: REEL (T+R) ACCORDING TO PACKAGING SPECIFICATION 107-18116



| TABLE OF TOLERANCE (mm) | |
|-------------------------|-----------|
| RANGE | TOLERANCE |
| 0-10 | ±0.15 |
| >10-40 | ±0.25 |
| >40-70 | ±0.30 |
| >70 | ±0.40 |

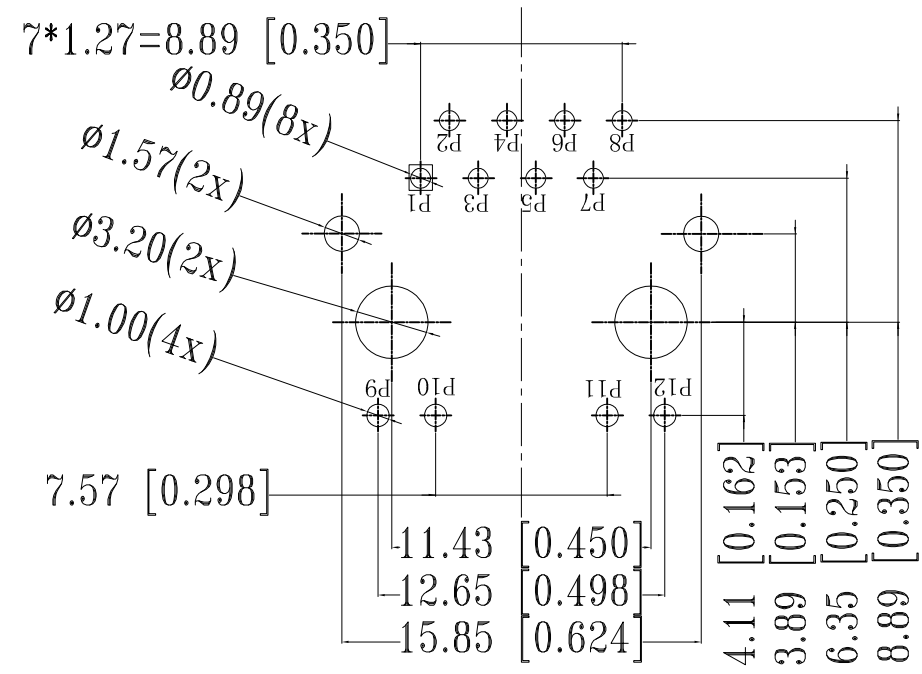
| | | | | |
|---|--|---------------------------------|--|---------------------------|
| THIS DRAWING IS A CONTROLLED DOCUMENT. | | DWN 27AUG2016 GANESH C M | | |
| DIMENSIONS: mm [INCHES] | | CHK 27AUG2016 FRANZ MUELLER | | |
| TOLERANCES UNLESS OTHERWISE SPECIFIED: | | APVD 27AUG2016 MARTIN SZELAG | NAME RJ45 JACK INT.MAG. 10/100 LED 1x1 VERT | |
| 0 PLC ± - 1 PLC ± - 2 PLC ± - 3 PLC ± - 4 PLC ± - ANGLES ± - | | PRODUCT SPEC 108-94552 | SIZE A3 | |
| MATERIAL △ 1 | | APPLICATION SPEC 114-94447 | CAGE CODE 00779 | DRAWING NO C-2301995-3 |
| FINISH △ 1 | | WEIGHT - | RESTRICTED TO - | |
| CUSTOMER DRAWING | | | SCALE 3:1 | SHEET 1 of 3 |
| | | | REV A1 | |

THIS DRAWING IS UNPUBLISHED
 © COPYRIGHT - 2017 by TE Connectivity Germany GmbH
 ALL RIGHTS RESERVED.

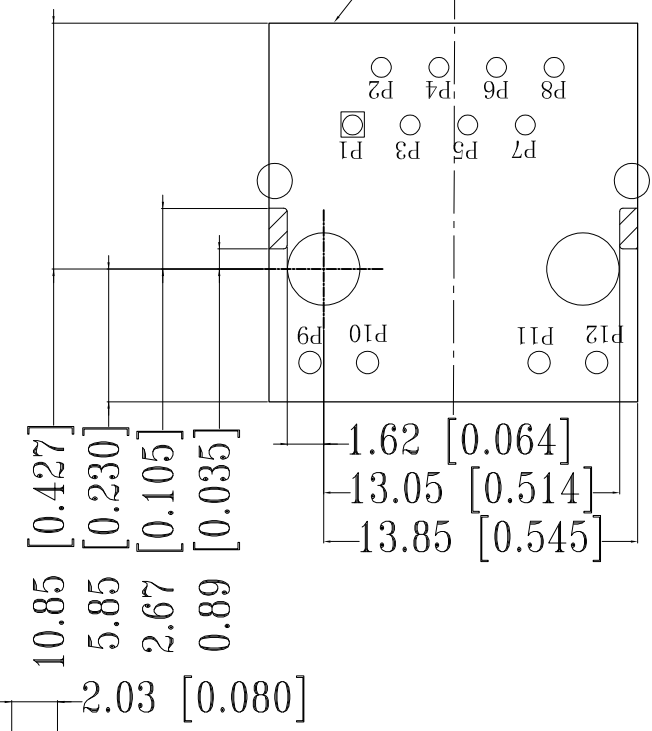
RELEASED FOR PUBLICATION
 - ,2017.

| REVISIONS | | | | | |
|-----------|-----|-------------|------|-----|------|
| P | LTR | DESCRIPTION | DATE | DWN | APVD |
| - | - | SEE SHEET 1 | - | - | - |

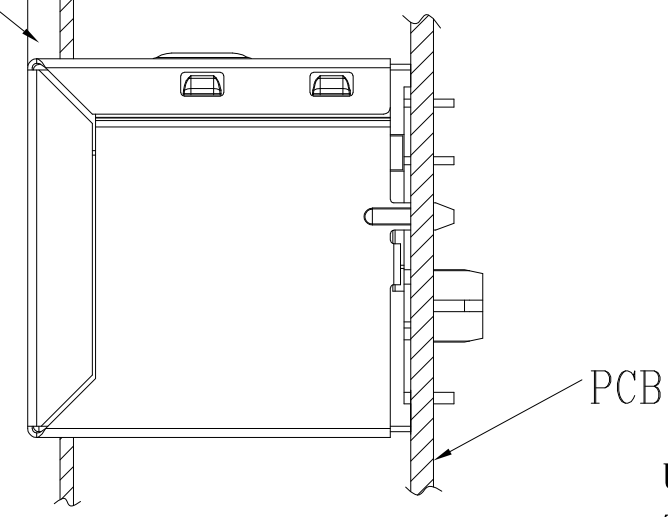
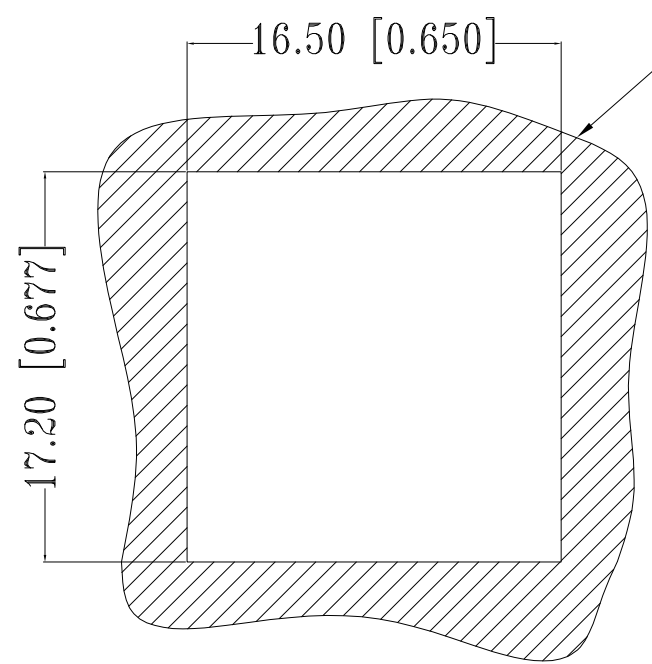
SUGGESTED PCB LAYOUT



Connector Boundary



METAL PANEL



PCB

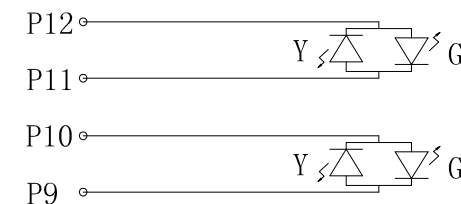
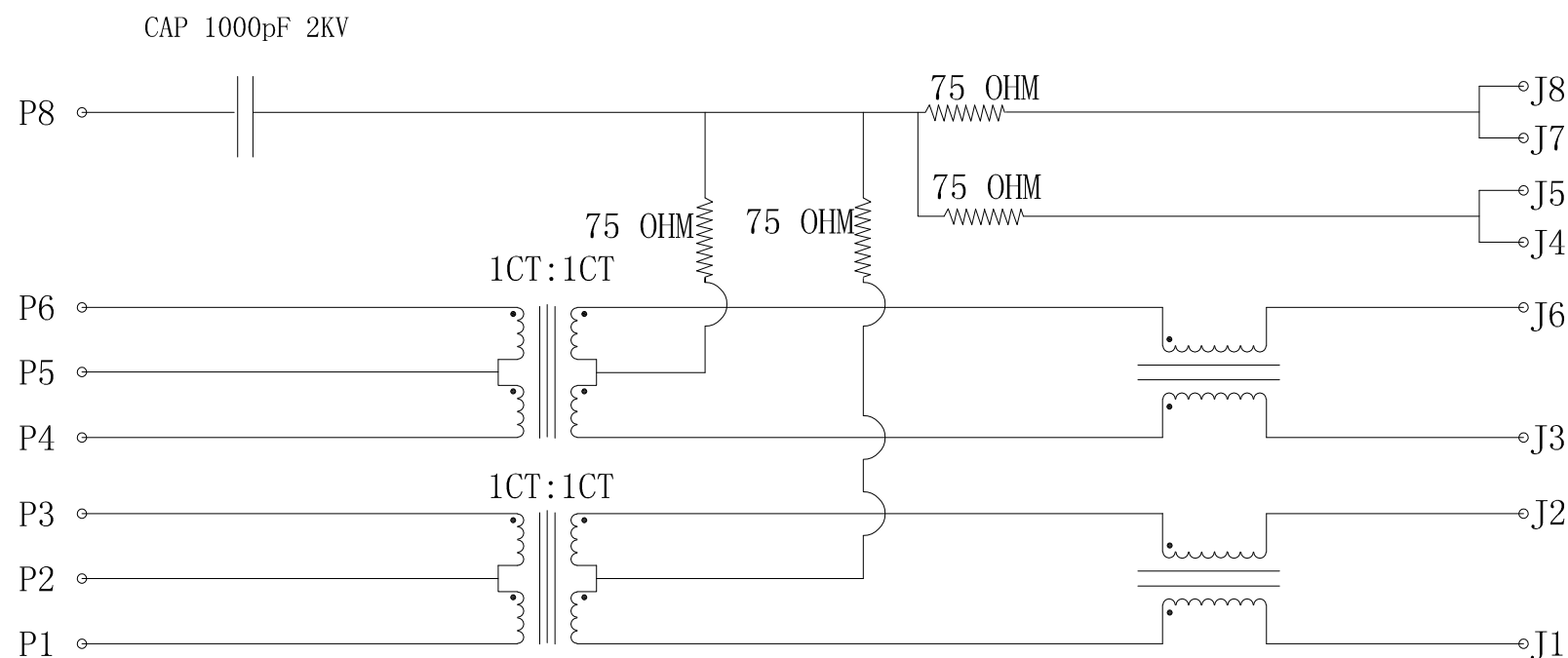
UNIT: mm / inch
 TOLERANCES: ±0.10 / 0.004

| | | | | | |
|---|--|------------------------------------|------------------------------------|--------------------|---------------------------|
| THIS DRAWING IS A CONTROLLED DOCUMENT. | | DWN GANESH C M 27AUG2016 | TE Connectivity | | |
| DIMENSIONS: mm [INCHES] | | CHK FRANZ MUELLER 27AUG2016 | | | |
| TOLERANCES UNLESS OTHERWISE SPECIFIED: | | APVD MARTIN SZELAG 27AUG2016 | PRODUCT SPEC | | |
| 0 PLC ± - 1 PLC ± - 2 PLC ± - 3 PLC ± - 4 PLC ± - ANGLES ± - | | | APPLICATION SPEC | | |
| MATERIAL | | | FINISH | | |
| | | | 108-94552 114-94447 WEIGHT 0 | | |
| CUSTOMER DRAWING | | | SIZE A3 | CAGE CODE 00779 | DRAWING NO C-2301995-3 |
| | | | RESTRICTED TO - | SCALE 3:1 | SHEET 2 OF 3 |
| | | | REV A1 | | |

REVISIONS

| P | LTR | DESCRIPTION | DATE | DWN | APVD |
|---|-----|-------------|------|-----|------|
| - | - | SEE SHEET 1 | - | - | - |

ELECTRICAL CIRCUIT DIAGRAM



| Pin | Yellow | Green | Pin | Yellow | Green |
|-----|--------|-------|-----|--------|-------|
| P12 | - | + | P10 | - | + |
| P11 | + | - | P9 | + | - |

- 1.0 Turn Ratio @100KHz: (P1~P3):(J1~J2) = 1:1±2%
(P4~P6):(J3~J6) = 1:1±2%
- 2.0 Primary Inductance: 350uH MIN @100KHZ, 0.1V 8mA DC BIAS
- 3.0 DC Resistance: 1.2 OHMS MAX
- 4.0 Insertion Loss: 1-100MHz -1.2dB MAX
- 5.0 Return Loss: 1-30MHz -16dB MIN
30-60MHz -12dB MIN
60-80MHz -10dB MIN
- 6.0 CROSS TALK: 1-100MHz -30dB MIN
- 7.0 COMMON TO COMMON MODE ATTENUATION: 1-100MHz -30dB MIN
- 8.0 Isolation: PHY Side to Line Side: 2250VDC

2301995-3
WWYY-xxxx

TE

FCC

CONTROL CODE
DATE CODE
"0213"

YY-YEAR
WW-WEEK

| | | | | | |
|--|--|------------------------------------|--|---------------------------|---------------|
| THIS DRAWING IS A CONTROLLED DOCUMENT. | | DWN GANESH C M 27AUG2016 | TE TE Connectivity | | |
| DIMENSIONS: mm [INCHES] | | CHK FRANZ MUELLER 27AUG2016 | | | |
| TOLERANCES UNLESS OTHERWISE SPECIFIED: | | APVD MARTIN SZELAG 27AUG2016 | NAME RJ45 JACK INT.MAG. 10/100 LED 1x1 VERT | | |
| 0 PLC ± - | | PRODUCT SPEC 108-94552 | SIZE | | |
| 1 PLC ± - | | APPLICATION SPEC 114-94447 | CAGE CODE A300779 | DRAWING NO C-2301995-3 | RESTRICTED TO |
| 2 PLC ± - | | WEIGHT 0 | SCALE 3:1 | | |
| 3 PLC ± - | | CUSTOMER DRAWING | SHEET 3 OF 3 | | |
| 4 PLC ± - | | FINISH 1 | | | REV A1 |
| ANGLES ± - | | | | | |