



Chipsmall Limited consists of a professional team with an average of over 10 year of expertise in the distribution of electronic components. Based in Hongkong, we have already established firm and mutual-benefit business relationships with customers from,Europe,America and south Asia,supplying obsolete and hard-to-find components to meet their specific needs.

With the principle of “Quality Parts,Customers Priority,Honest Operation,and Considerate Service”,our business mainly focus on the distribution of electronic components. Line cards we deal with include Microchip,ALPS,ROHM,Xilinx,Pulse,ON,Everlight and Freescale. Main products comprise IC,Modules,Potentiometer,IC Socket,Relay,Connector.Our parts cover such applications as commercial,industrial, and automotives areas.

We are looking forward to setting up business relationship with you and hope to provide you with the best service and solution. Let us make a better world for our industry!



Contact us

Tel: +86-755-8981 8866 Fax: +86-755-8427 6832

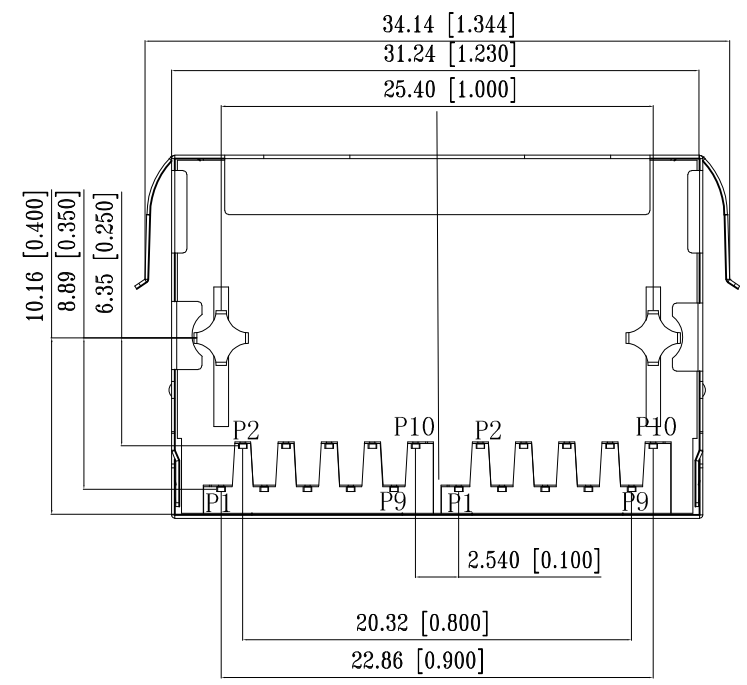
Email & Skype: info@chipsmall.com Web: www.chipsmall.com

Address: A1208, Overseas Decoration Building, #122 Zhenhua RD., Futian, Shenzhen, China



THIS DRAWING IS UNPUBLISHED
 RELEASED FOR PUBLICATION
 - , 2017.
 © COPYRIGHT - 2017 by TE Connectivity Germany GmbH
 ALL RIGHTS RESERVED.

REVISIONS				
P	LTR	DESCRIPTION	DATE	APVD
	A1	New Release	09MAR2017	GCM/MSZ



- △ CONNECTOR MATERIAL:
 HOUSING: LCP BLACK UL94 V-0
 INSERT: LCP BLACK UL94 V-0
 SHIELD: BRASS
 SHIELD PLATING: NICKEL
 CONTACT: COPPER ALLOY
 CONTACT PLATING: SELECTIVE GOLD, MIN. 0.76µm (30µinch) IN CONTACT AREA
 OVER MIN. 1.27µm (50µinch) NICKEL
 SOLDER PIN PLATING: 3.05µm (120µinch) TIN OVER 1.02µm (40µinch) NICKEL
 OVER ALL
 SHIELDING PIN PLATING: NICKEL
- 2 PIN NOT ELECTRICALLY CONNECTED MAYBE OMITTED SEE ELECTRICAL CIRCUIT DIAGRAM FOR OMITTED PINS
- 3 RJ45 CAVITIES CONFORM TO FCC RULES AND REGULATION PART 68
- 4 THE PART IS RECOMMENDED FOR REFLOW SOLDERING PROCESS PEAK SOLDERING: TEMPERATURE MAX. +260° C, MAX. 10s
- 5 OPERATING TEMPERATURE: T= -40° C TO +85° C
- 6 STORAGE TEMPERATURE: T= -40° C TO +85° C
- △ UNLESS OTHERWISE SPECIFIED, SEE TABLE FOR ALL DIMENSIONS TOLERANCES
- 8 JACK CONFIGURATION: 1 x 2
 TAB DIRECTION: DOWN
- 9 PACKAGING: REEL (T+R) ACCORDING TO PACKAGING SPECIFICATION 107-18116

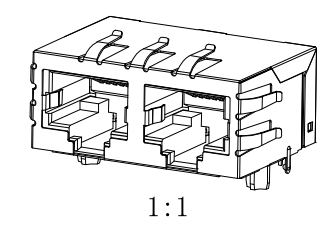
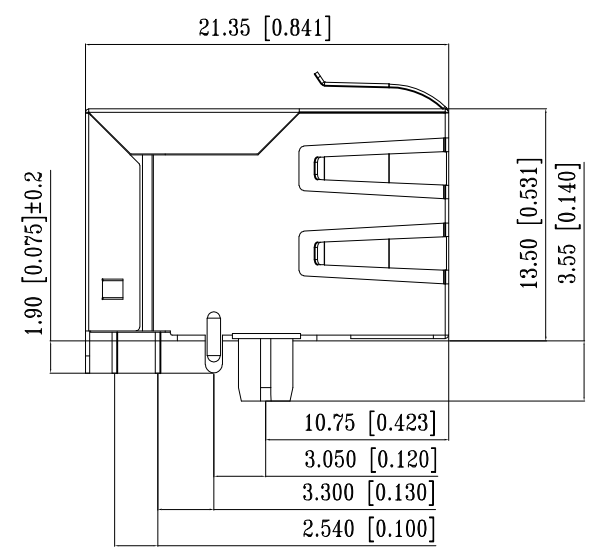
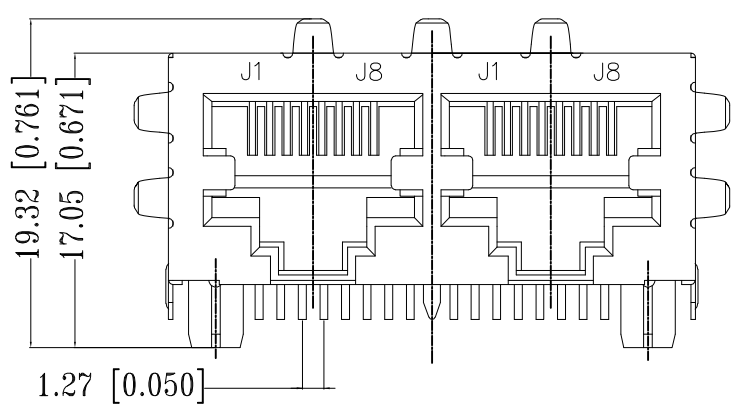
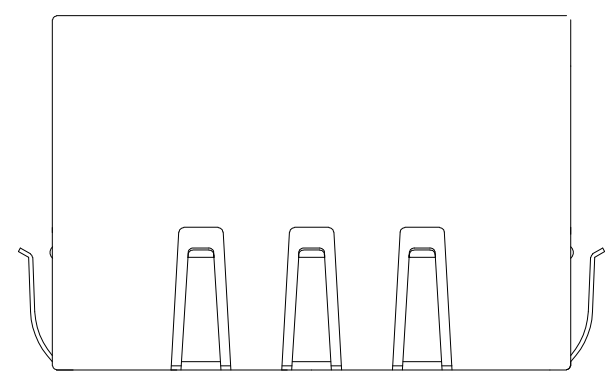


TABLE OF TOLERANCE (mm)	
RANGE	TOLERANCE
0-10	±0.15
>10-40	±0.25
>40-70	±0.30
>70	±0.40

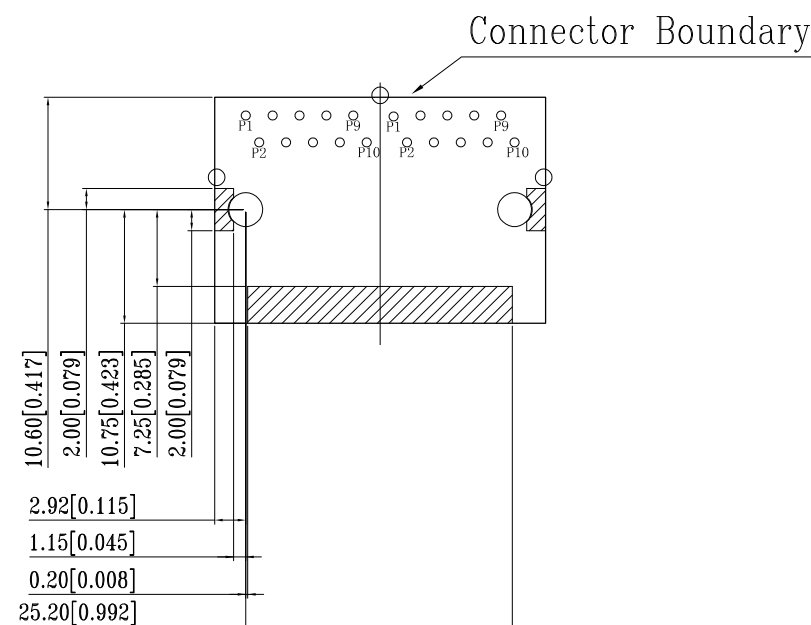
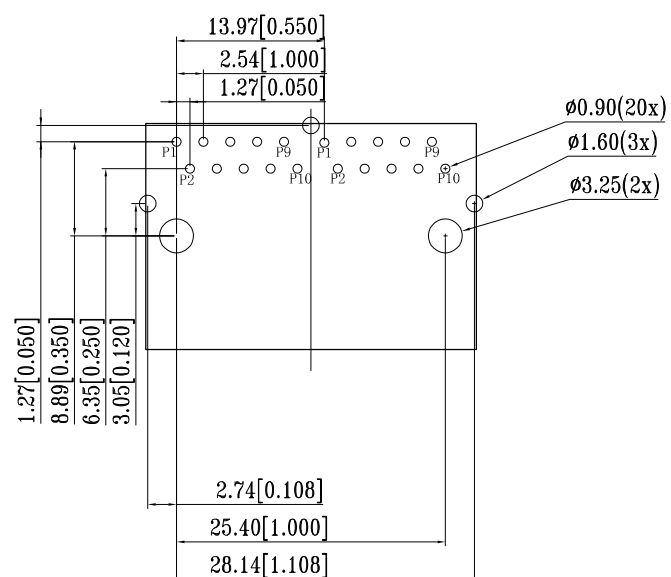


THIS DRAWING IS A CONTROLLED DOCUMENT.		DWN 27AUG2016 GANESH C M	STE TE Connectivity	
DIMENSIONS: mm [INCHES]		CHK 27AUG2016 FRANZ MUELLER		
TOLERANCES UNLESS OTHERWISE SPECIFIED: △ 7		APVD 27AUG2016 MARTIN SZELAG	NAME RJ45 JACK INT.MAG. 1Gb 1x2	
MATERIAL △ 1		FINISH △ 1	PRODUCT SPEC 108-94552	
APPLICATION SPEC 114-94447		WEIGHT -	SIZE A3	CAGE CODE 00779
CUSTOMER DRAWING		SCALE 3:1	DRAWING NO C-2301996-4	RESTRICTED TO -
		SHEET 1 OF 3	REV A1	

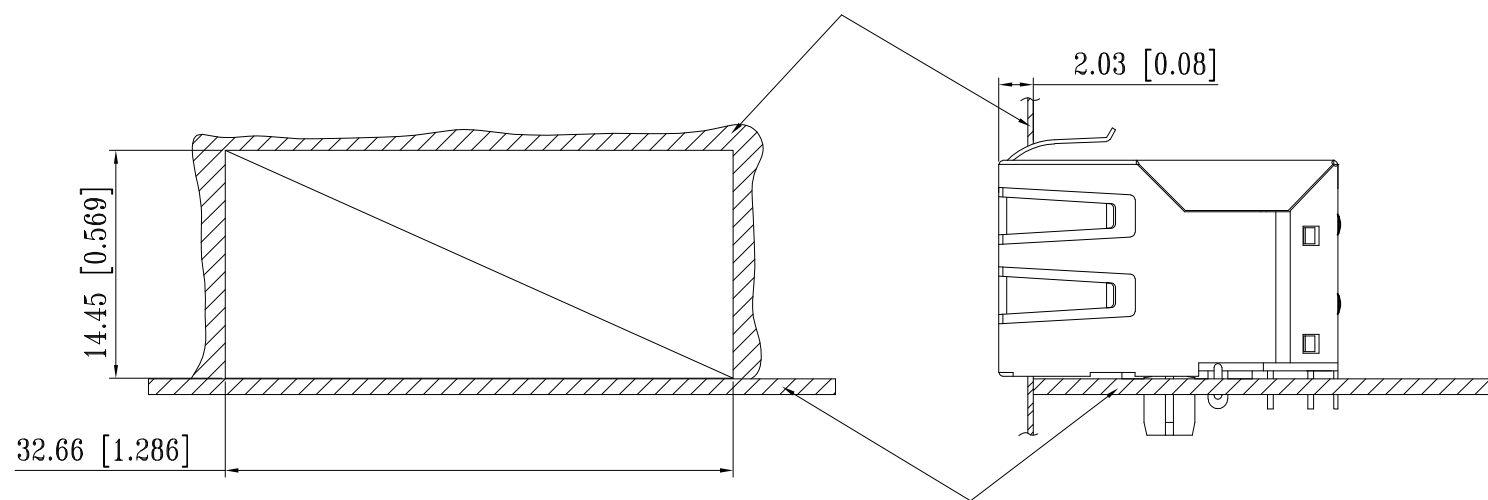
REVISIONS

P	LTR	DESCRIPTION	DATE	DWN	APVD
-	-	SEE SHEET 1	-	-	-

SUGGESTED PCB LAYOUT



METAL PANEL



PCB

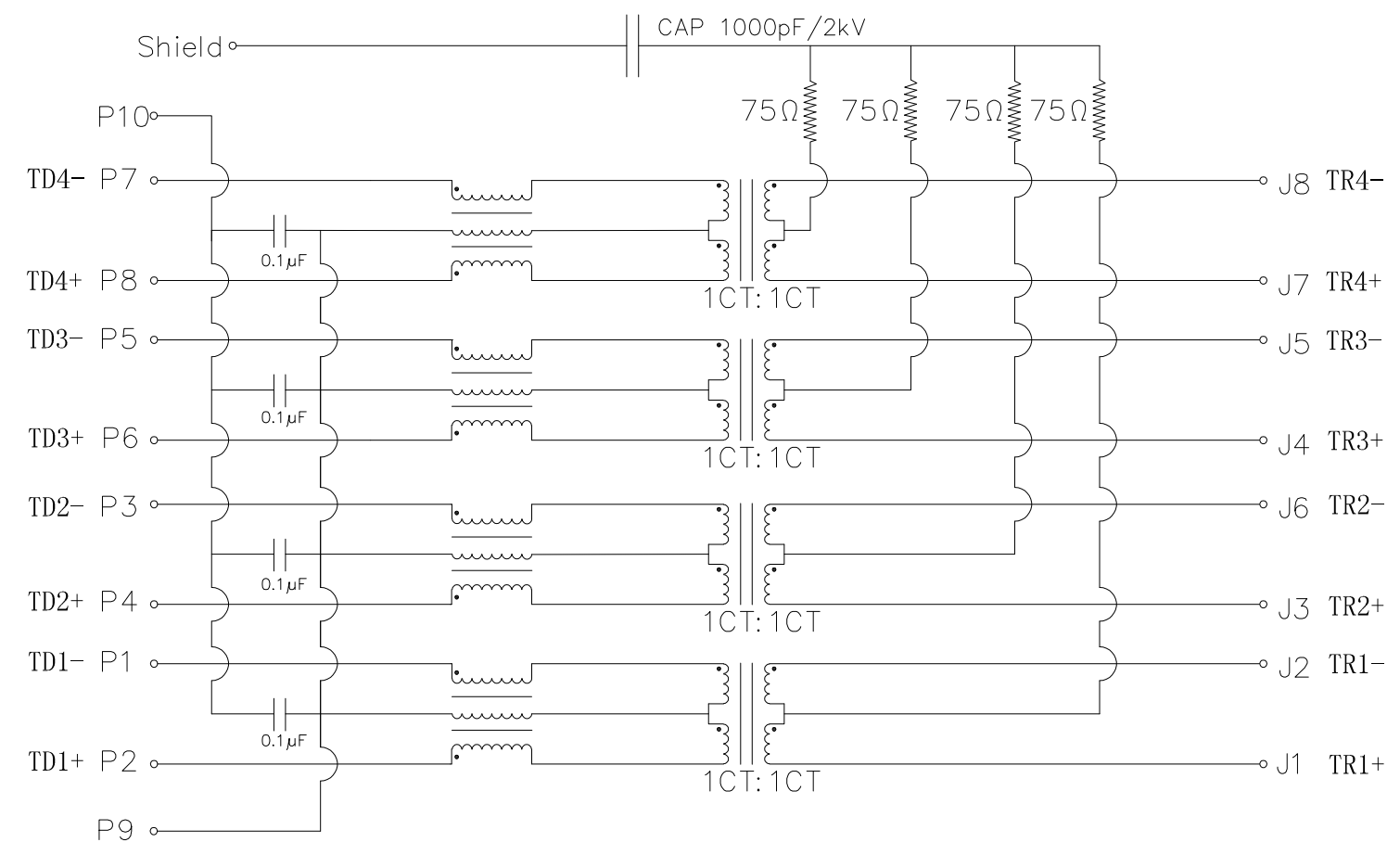
UNIT: mm / inch
TOLERANCES: $\pm 0.10 / 0.004$

THIS DRAWING IS A CONTROLLED DOCUMENT.		DWN GANESH C M 27AUG2016	TE Connectivity		
DIMENSIONS: mm [INCHES]		CHK FRANZ MUELLER 27AUG2016			
TOLERANCES UNLESS OTHERWISE SPECIFIED:		APVD MARTIN SZELAG 27AUG2016	PRODUCT SPEC 108-94552		
<ul style="list-style-type: none"> 0 PLC $\pm -$ 1 PLC $\pm -$ 2 PLC $\pm -$ 3 PLC $\pm -$ 4 PLC $\pm -$ ANGLES $\pm -$ 		APPLICATION SPEC 114-94447	SIZE A3	CAGE CODE 00779	DRAWING NO C-2301996-4
MATERIAL 1		FINISH 1	WEIGHT 0	RESTRICTED TO -	
CUSTOMER DRAWING			SCALE 3:1	SHEET 2 OF 3	REV A1

THIS DRAWING IS UNPUBLISHED
 RELEASED FOR PUBLICATION - .2017.
 © COPYRIGHT - 2017 by TE Connectivity Germany GmbH ALL RIGHTS RESERVED.

REVISIONS				
P	LTR	DESCRIPTION	DATE	APVD
-	-	SEE SHEET 1	-	-

ELECTRICAL CIRCUIT DIAGRAM



- 1.0 Turn Ratio @100kHz: (P2~P1):(J1~J2) = 1:1±2%
 (P4~P3):(J3~J6) = 1:1±2%
 (P6~P5):(J4~J5) = 1:1±2%
 (P8~P7):(J7~J8) = 1:1±2%
- 2.0 Primary Inductance: 350µH MIN. @100kHz, 0.1V 8mA DC BIAS
- 3.0 DC Resistance: 1.2 OHMS MAX.
- 4.0 Insertion Loss: 1-100MHz -1.0dB MAX.
 100-125MHz -1.2dB MAX.
- 5.0 Return Loss: 1-40MHz -16dB MIN.
 40-60MHz -12dB MIN.
 60-80MHz -10dB MIN.
 80-100MHz -8dB MIN.
- 6.0 Cross Talk: 1-100MHz -30dB MIN.
- 7.0 COMMON TO COMMON MODE ATTENUATION: 1-100MHz -30dB MIN.
- 8.0 Isolation: PHY Side to Line Side: 2250VDC

2301996-4
 WWYY-xxxx

TE

FCC

CONTROL CODE
 DATE CODE
 "0213"

YY-YEAR
 WW-WEEK

THIS DRAWING IS A CONTROLLED DOCUMENT.		DWN GANESH C M 27AUG2016	TE TE Connectivity	
DIMENSIONS: mm [INCHES]		CHK FRANZ MUELLER 27AUG2016		
TOLERANCES UNLESS OTHERWISE SPECIFIED:		APVD MARTIN SZELAG 27AUG2016	NAME RJ45 JACK INT.MAG. 1Gb 1x2	
0 PLC ± - 1 PLC ± - 2 PLC ± - 3 PLC ± - 4 PLC ± - ANGLES ± -		PRODUCT SPEC 108-94552	RESTRICTED TO	
MATERIAL 1		FINISH 1	APPLICATION SPEC 114-94447	SIZE A3
		WEIGHT 0	CAGE CODE 00779	DRAWING NO C-2301996-4
		CUSTOMER DRAWING		SCALE 3:1
		SHEET 3 OF 3		REV A1