



Chipsmall Limited consists of a professional team with an average of over 10 year of expertise in the distribution of electronic components. Based in Hongkong, we have already established firm and mutual-benefit business relationships with customers from,Europe,America and south Asia,supplying obsolete and hard-to-find components to meet their specific needs.

With the principle of "Quality Parts,Customers Priority,Honest Operation,and Considerate Service",our business mainly focus on the distribution of electronic components. Line cards we deal with include Microchip,ALPS,ROHM,Xilinx,Pulse,ON,Everlight and Freescale. Main products comprise IC,Modules,Potentiometer,IC Socket,Relay,Connector.Our parts cover such applications as commercial,industrial, and automotives areas.

We are looking forward to setting up business relationship with you and hope to provide you with the best service and solution. Let us make a better world for our industry!



Contact us

Tel: +86-755-8981 8866 Fax: +86-755-8427 6832

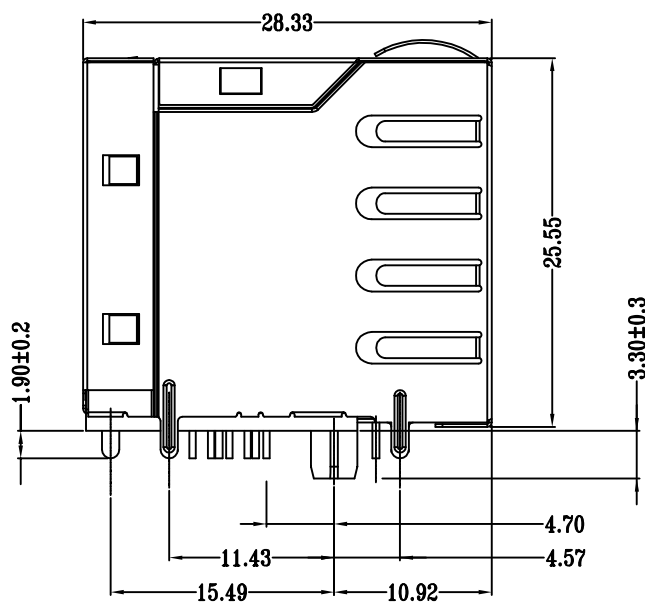
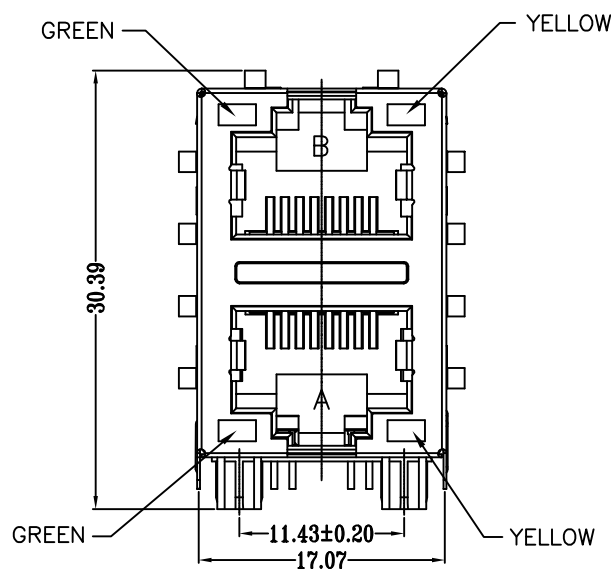
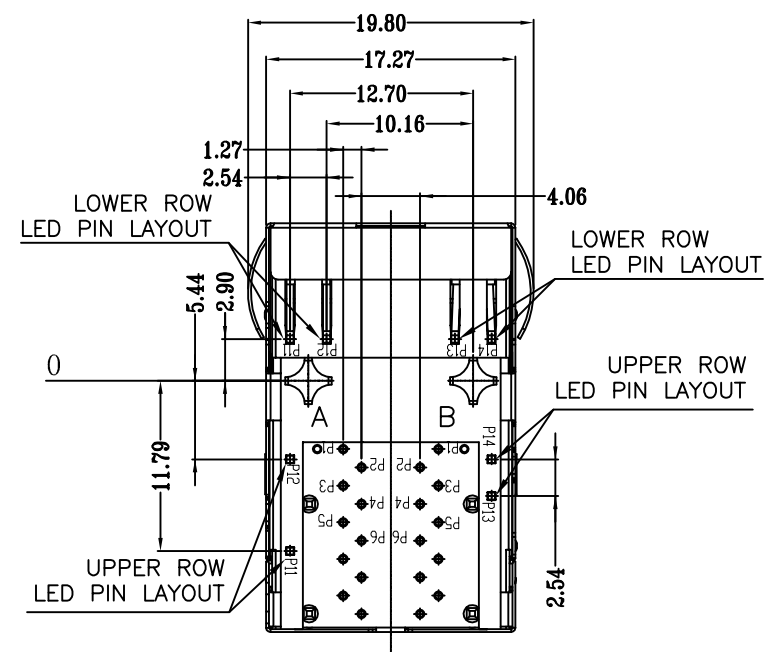
Email & Skype: info@chipsmall.com Web: www.chipsmall.com

Address: A1208, Overseas Decoration Building, #122 Zhenhua RD., Futian, Shenzhen, China

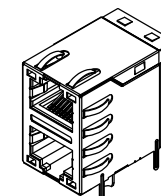


REVISIONS

P	LTR	DESCRIPTION	DATE	DWN	APVD
	B2	REV. PER PCN E-17-002286	28FEB2017	GCM	MSZ



- △ CONNECTOR MATERIAL:
HOUSING: LCP BLACK UL94 V-0
INSERT: LCP BLACK UL94 V-0
SHIELD: BRASS
SHIELD PLATING: NICKEL
CONTACT: COOPER ALLOY
CONTACT PLATING: SELECTIVE GOLD, MIN. 0.76 μm (30 μ inch) IN CONTACT AREA
OVER MIN. 1.27 μm (50 μ inch) NICKEL
- SOLDER PIN PLATING: 3.05 μm (120 μ inch) TIN OVER 1.02 μm (40 μ inch) NICKEL OVER ALL SHIELDING PIN PLATING: NICKEL
- 2 PIN NOT ELECTRICALLY CONNECTED MAYBE OMITTED SEE ELECTRICAL CIRCUIT DIAGRAM FOR OMITTED PINS
- 3 RJ45 CAVITIES CONFORM TO FCC RULES AND REGULATION PART 68.
- 4 THE PART IS RECOMMENDED FOR REFLOW SOLDERING PROCESS PEAK SOLDERING: TEMPERATURE IS MAX. +260° C, MAX. 10s
- 5 OPERATING TEMPERATURE T = -40° C TO +85° C.
- 6 STORAGE TEMPERATURE T = -40° C TO +85° C.
- △ UNLESS OTHERWISE SPECIFIED, SEE TABLE FOR ALL DIMENSIONS TOLERANCES
- 8 JACK CONFIGURATION: 2 x 1
TAB DIRECTION: UP/DOWN
- 9 PACKAGING: TRAY ACCORDING TO PACKAGING SPECIFICATION 107-18116



1:1

TABLE OF TOLERANCE (mm)	
RANGE	TOLERANCE
0-10	±0.15
>10-40	±0.25
>40-70	±0.30
>70	±0.40

D

D

C

C

B

B

A

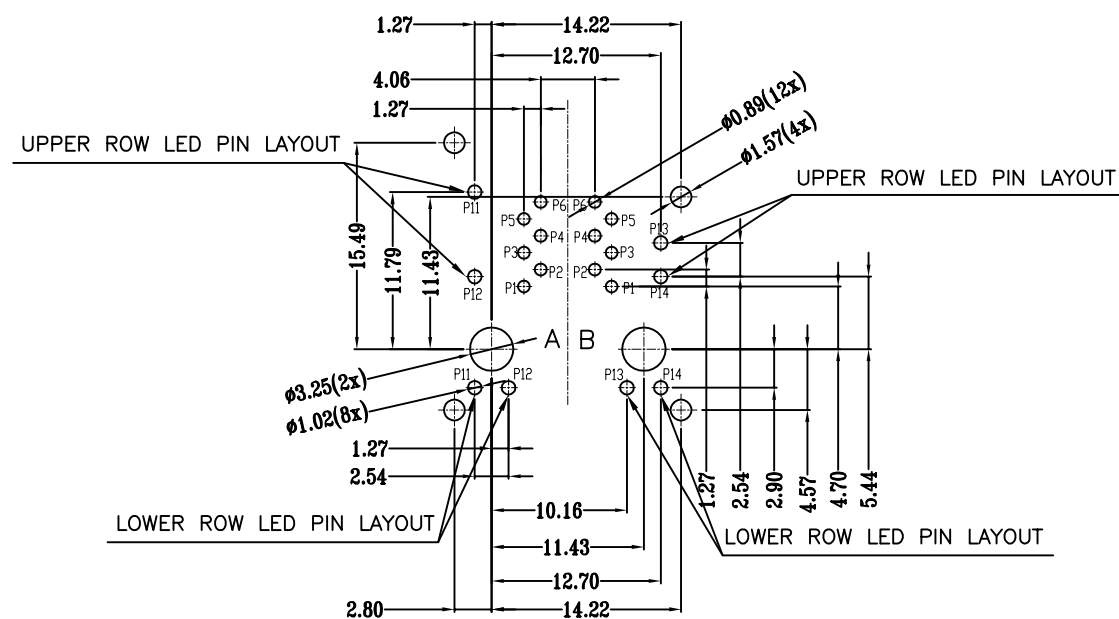
A

THIS DRAWING IS A CONTROLLED DOCUMENT.		DWN 02AUG2016 GANESH C M		
		CHK 02AUG2016 FRANZ MUELLER		
		APVD 02AUG2016 MARTIN SZELAG	NAME RJ45 JACK INT.MAG. 10/100 LED 2x1	
		PRODUCT SPEC 108-94552		
		APPLICATION SPEC 114-94447		
		WEIGHT	SIZE A3	CAGE CODE 00779
		CUSTOMER DRAWING	DRAWING NO C-2301997-5	RESTRICTED TO -
			SCALE 3:1	SHEET 1 of 3
				REV B2

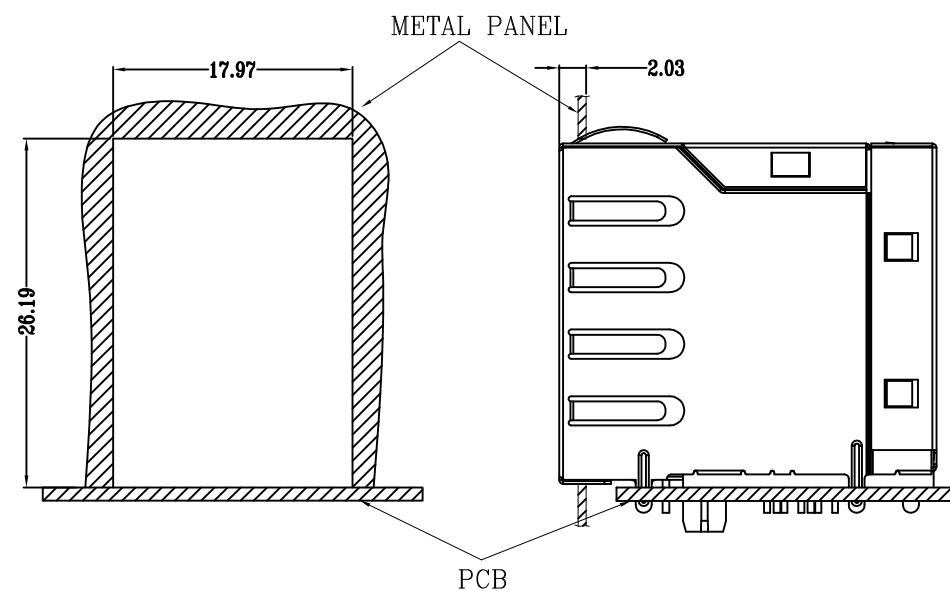
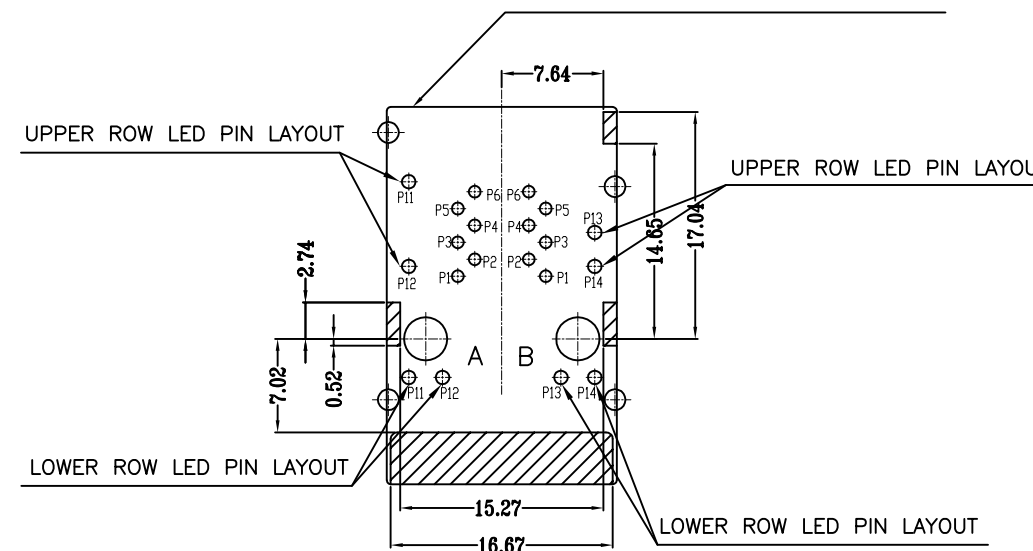
REVISIONS

P	LTR	DESCRIPTION	DATE	DWN	APVD
-	-	SEE SHEET 1	-	-	-

SUGGESTED PCB LAYOUT



CONNECTOR BOUNDARY



UNIT: mm
TOLERANCES: ± 0.10

THIS DRAWING IS A CONTROLLED DOCUMENT.

DWN GANESH C M 02AUG2016

CHK FRANZ MUELLER 02AUG2016

APVD MARTIN SZELAG 02AUG2016

PRODUCT SPEC

108-94552

APPLICATION SPEC

114-94447

WEIGHT

CUSTOMER DRAWING



NAME RJ45 JACK INT.MAG. 10/100 LED 2x1

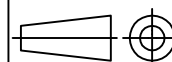
SIZE CAGE CODE DRAWING NO RESTRICTED TO

A3 00779 C=2301997-5

SCALE 3:1 SHEET 2 of 3 REV B2

DIMENSIONS:

mm



TOLERANCES UNLESS OTHERWISE SPECIFIED:

0 PLC	$\pm -$	$\nabla 7$
1 PLC	$\pm -$	
2 PLC	$\pm -$	
3 PLC	$\pm -$	
4 PLC	$\pm -$	
ANGLES	$\pm -$	

MATERIAL

1

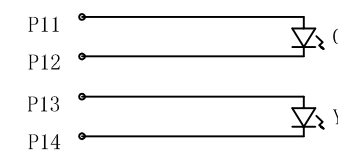
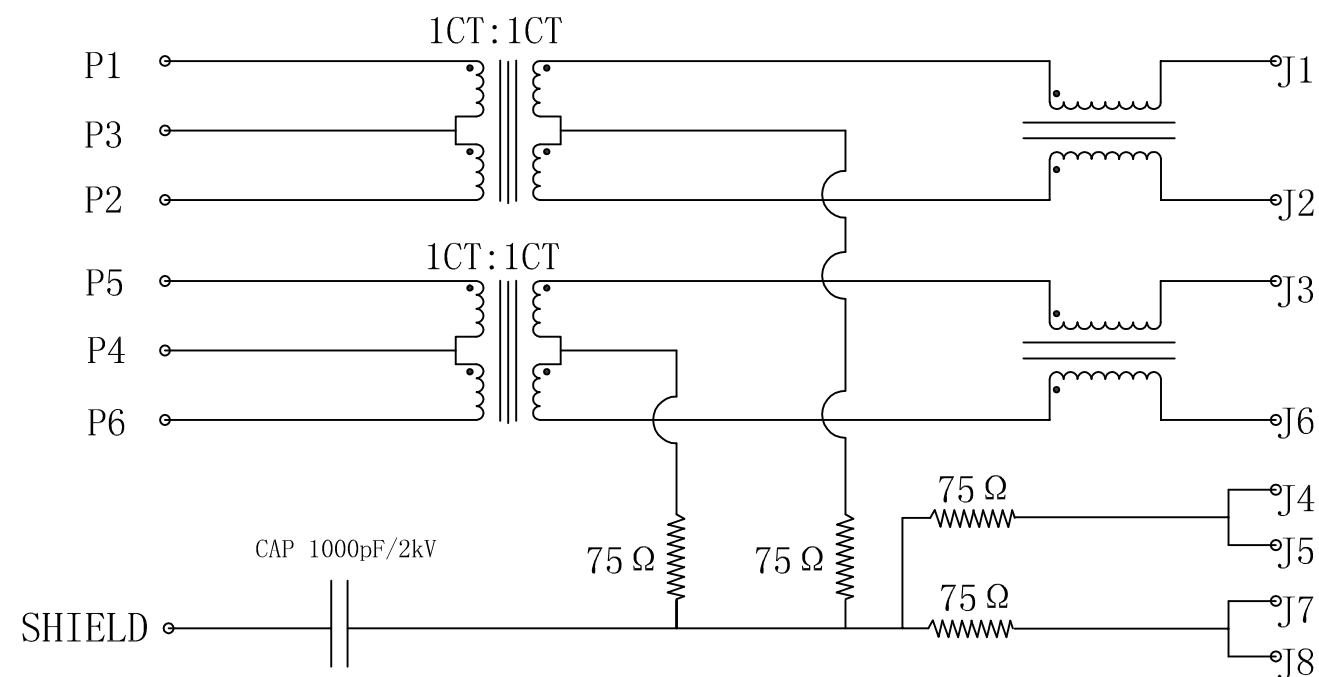
FINISH

1

REVISIONS

P	LTR	DESCRIPTION	DATE	DWN	APVD
-	-	SEE SHEET 1	-	-	-

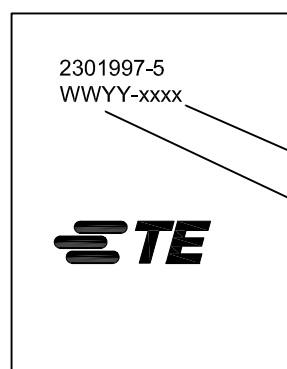
ELECTRICAL CIRCUIT DIAGRAM



PIN	GREEN	YELLOW
P11	+	P13 +
P12	-	P14 -

LED SPECIFICATION			
STANDARD LED	WAVELENGTH	FORWARD V(max)	TYP
GREEN	565nm	2.4V	2.2V
YELLOW	590nm	2.5V	2.1V

- 1 TURN RATIO @100kHz: (P1~P2) : (J1~J2) = 1:1±2%
(P5~P6) : (J3~J6) = 1:1±2%
- 2 PRIMARY INDUCTANCE: 350µH MIN. @100kHz, 0.1V 8mA DC BIAS
- 3 DC RESISTANCE: 1.2 OHM MAX.
- 4 INSERTION LOSS: 1-100MHz -1.2dB MAX.
- 5 RETURN LOSS: 1-30MHz -16dB MIN.
30-60MHz -12dB MIN.
60-80MHz -10dB MIN.
- 6 CROSS TALK: 1-100MHz -30dB MIN.
- 7 COMMON TO COMMON MODE ATTENUATION: 1-100MHz -30dB MIN.
- 8 ISOLATION: PHY SIDE TO LINE SIDE: 2250VDC



2301997-5
WWYY-xxxx

CONTROL CODE

DATE CODE

"0213"

YY-YEAR

WW-WEEK

FCC

THIS DRAWING IS A CONTROLLED DOCUMENT.		DWN GANESH C M 02AUG2016	TE Connectivity	
DIMENSIONS: mm		CHK FRANZ MUELLER 02AUG2016		
		APVD MARTIN SZELAG 02AUG2016	NAME RJ45 JACK INT.MAG. 10/100 LED 2x1	
TOLERANCES UNLESS OTHERWISE SPECIFIED:		PRODUCT SPEC 108-94552	RESTRICTED TO	
0 PLC ± - 1 PLC ± - 2 PLC ± - 3 PLC ± - 4 PLC ± - ANGLES ± -		APPLICATION SPEC 114-94447	SIZE A3	CAGE CODE 00779
MATERIAL 1		FINISH 1	DRAWING NO C=2301997-5	DRAWING NO C=2301997-5
		WEIGHT	SCALE 3:1	SHEET 3 of 3
		CUSTOMER DRAWING	REV B2	