



Chipsmall Limited consists of a professional team with an average of over 10 year of expertise in the distribution of electronic components. Based in Hongkong, we have already established firm and mutual-benefit business relationships with customers from,Europe,America and south Asia,supplying obsolete and hard-to-find components to meet their specific needs.

With the principle of “Quality Parts,Customers Priority,Honest Operation,and Considerate Service”,our business mainly focus on the distribution of electronic components. Line cards we deal with include Microchip,ALPS,ROHM,Xilinx,Pulse,ON,Everlight and Freescale. Main products comprise IC,Modules,Potentiometer,IC Socket,Relay,Connector.Our parts cover such applications as commercial,industrial, and automotives areas.

We are looking forward to setting up business relationship with you and hope to provide you with the best service and solution. Let us make a better world for our industry!



Contact us

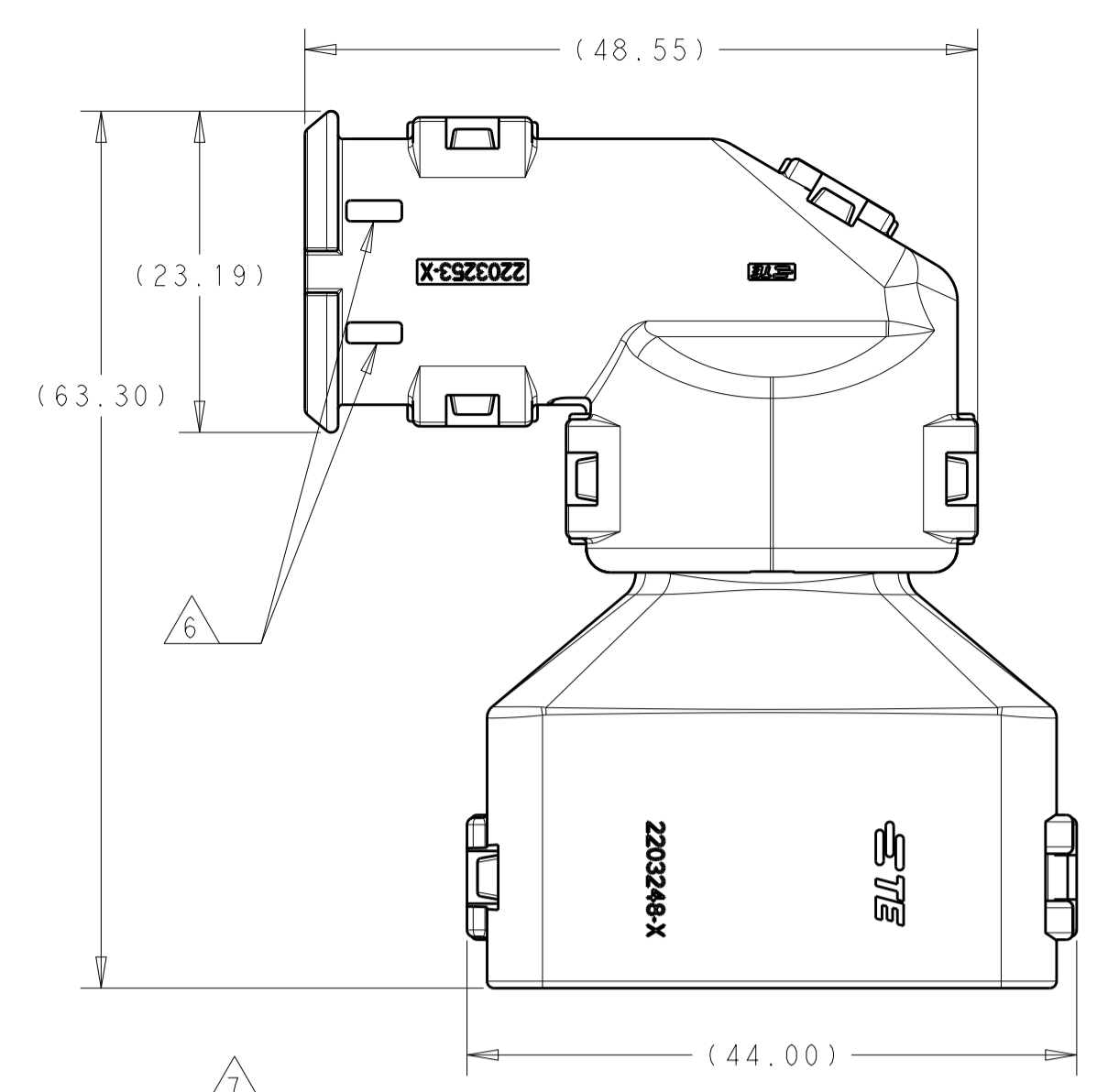
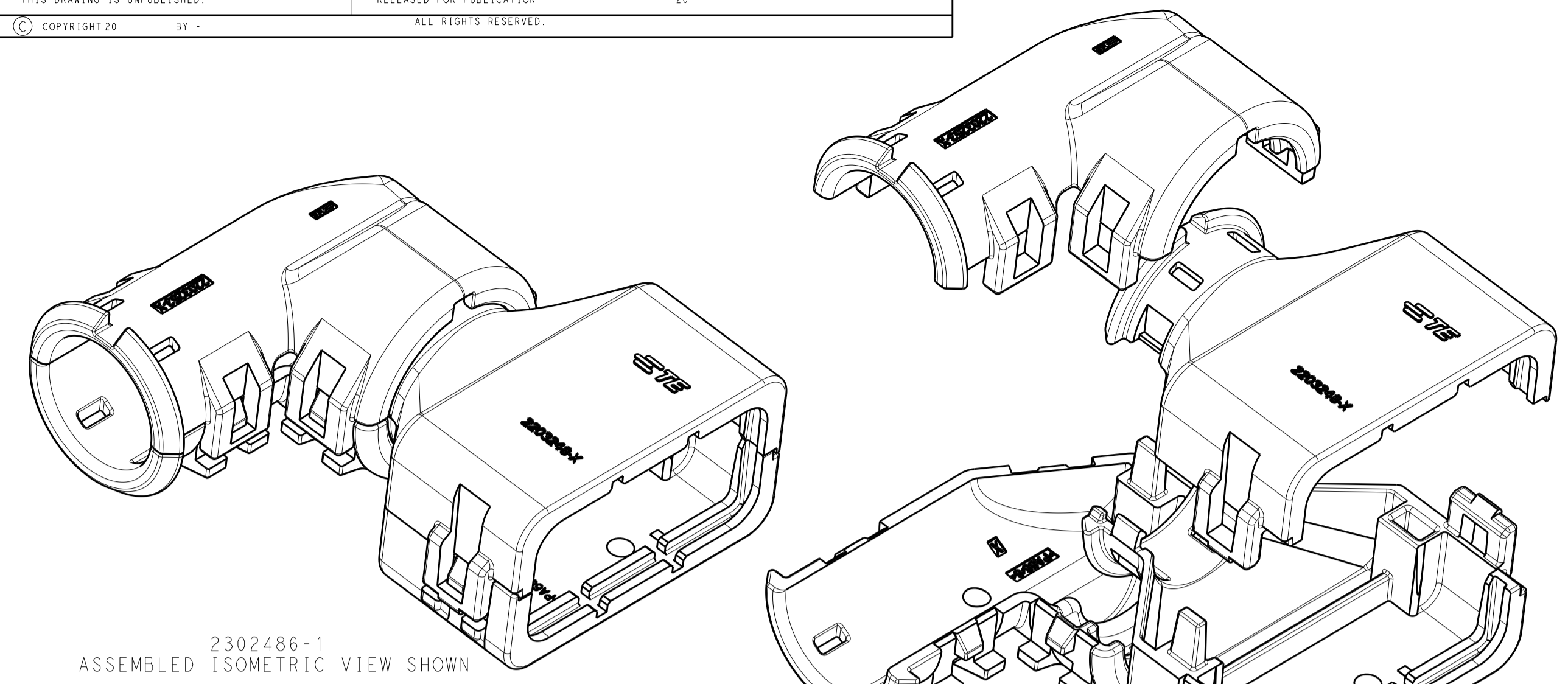
Tel: +86-755-8981 8866 Fax: +86-755-8427 6832

Email & Skype: info@chipsmall.com Web: www.chipsmall.com

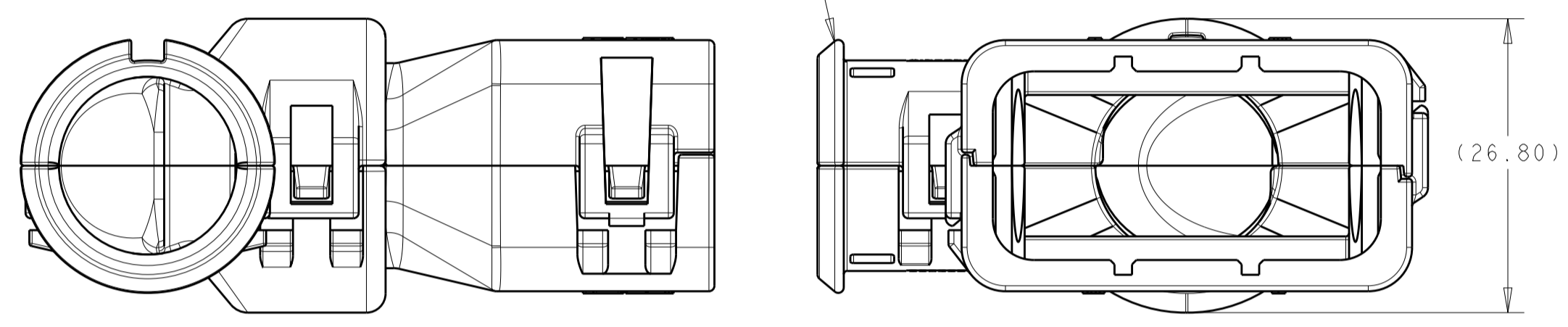
Address: A1208, Overseas Decoration Building, #122 Zhenhua RD., Futian, Shenzhen, China



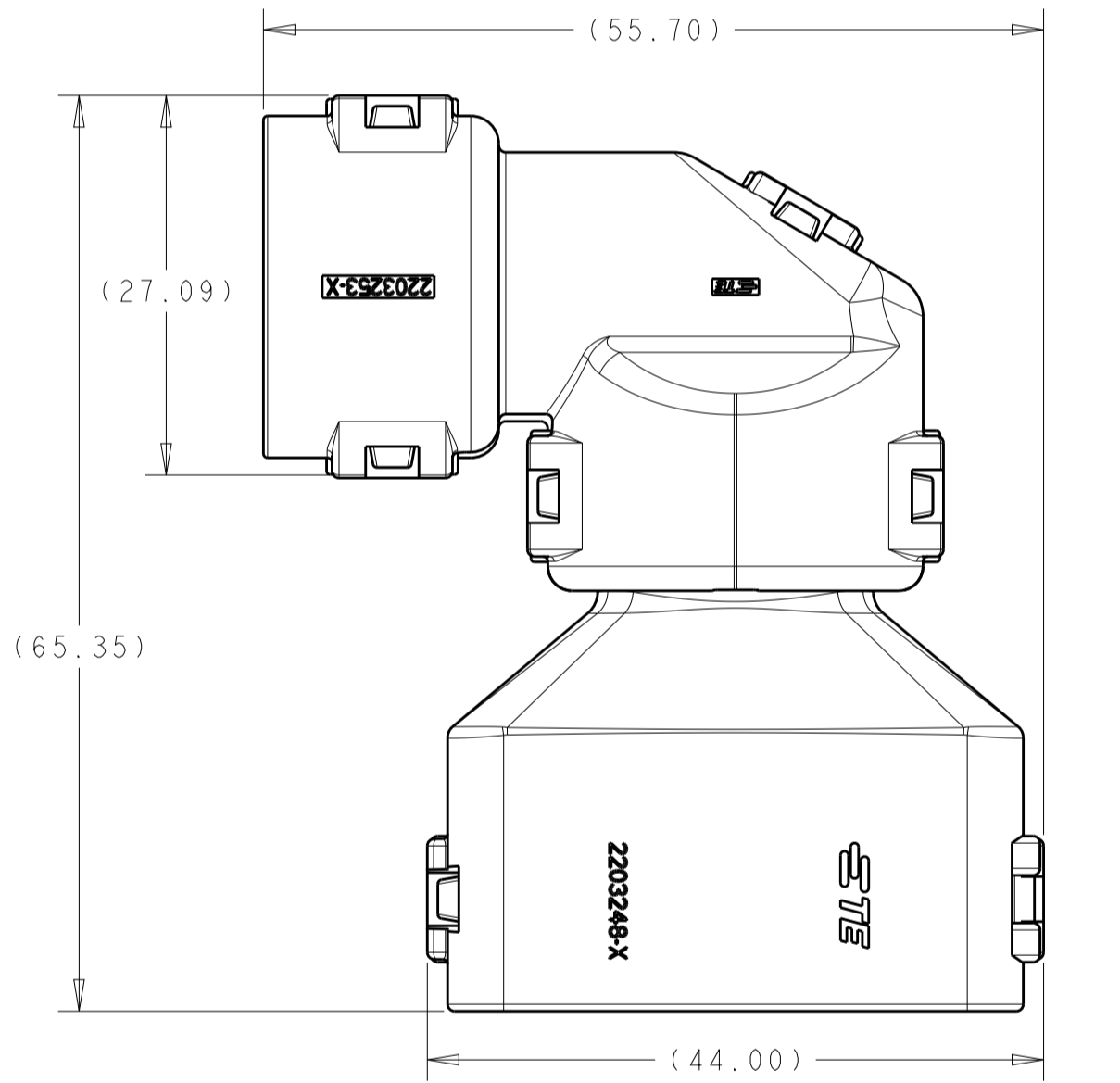
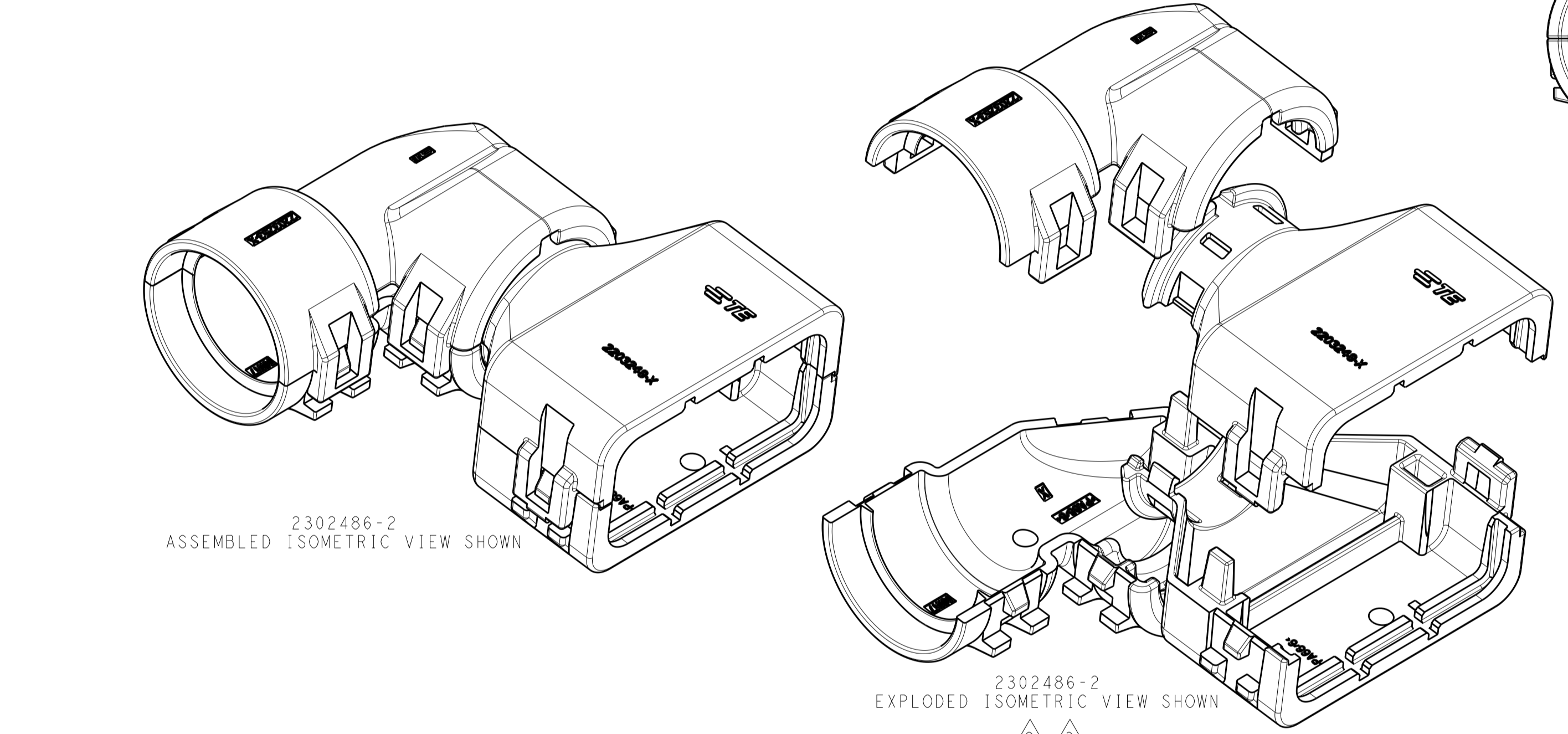
REVISIONS				
P.	LTN	DESCRIPTION	DATE	DMN APVD
A		RELEASED PER ECO-16-008203	01JUN2016	JM RB
A2		REV PER ECO-16-013256	08SEP2016	JM RB



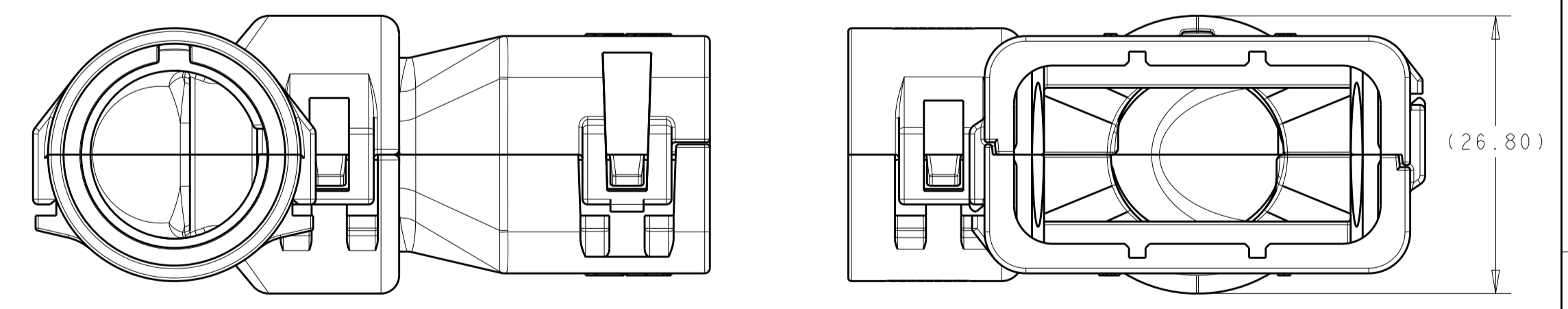
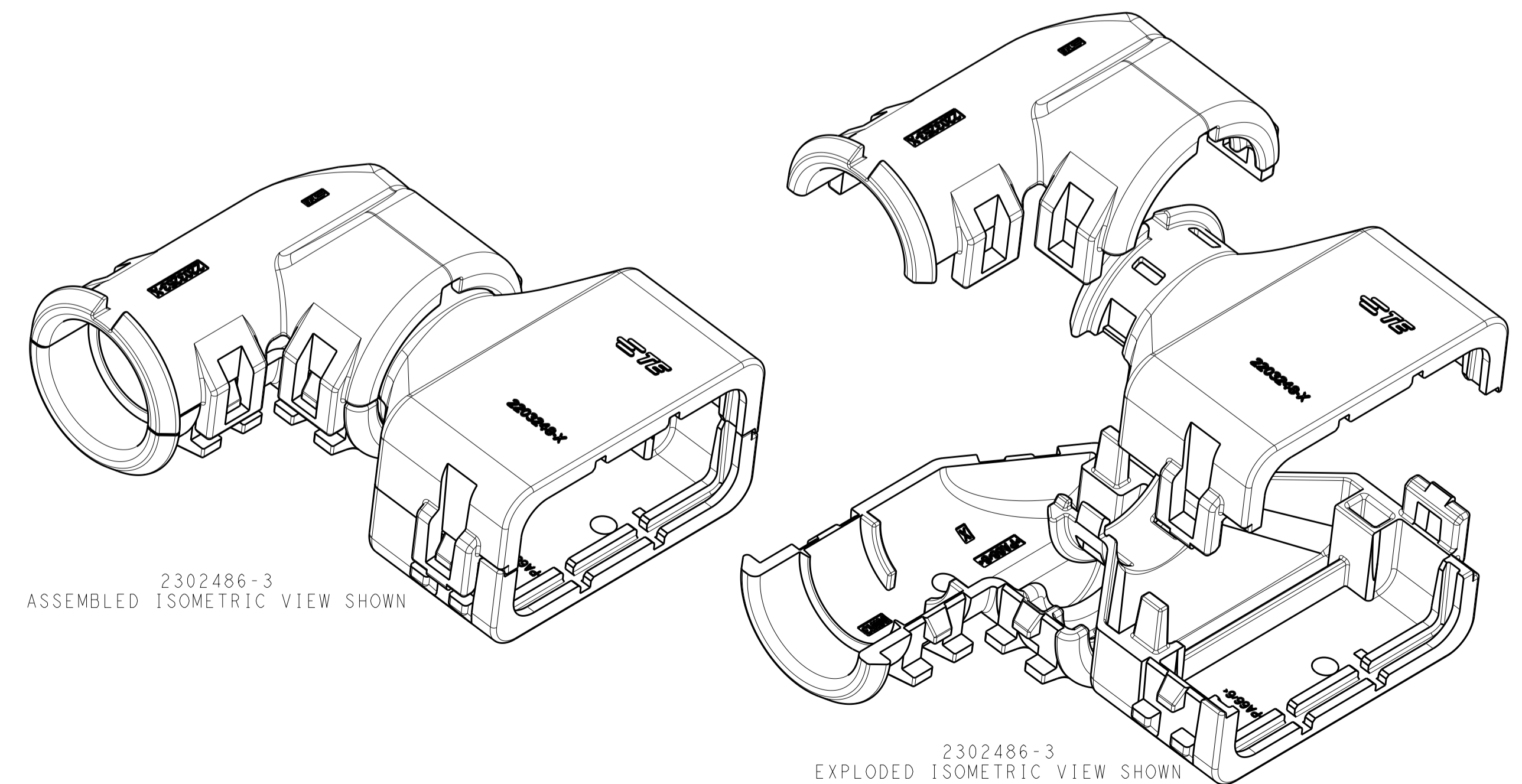
- 1 MATERIAL: NYLON MOLDING COMPOUND, BLACK, PA66/6.
- 2 BACKSHELL DESIGNED SUCH THAT TWO HALVES ATTACH TO ONE ANOTHER AND CLAMP AROUND THE CONNECTOR COVER.
- 3 ELBOW DESIGNED SUCH THAT TWO HALVES ATTACH TO ONE ANOTHER AND CLAMP AROUND THE BACKSHELL COLLAR.
- 4 DIMENSIONS TO BE MEASURED WHEN ELBOWS AND BACKSHELLS ASSEMBLED.
- 5 PRODUCT WEIGHTS:
2302486-1: 15.40g ASSEMBLED
2302486-2: 15.85g ASSEMBLED
2302486-3: 15.60g ASSEMBLED
- 6 4MM WIDE SLOTS FOR TIE WRAP TO SECURE HARNESS WIRES (-1 ONLY).
- 7 HEAT SHRINK TUBING FEATURE (-1 AND -3 ONLY).
- 8. INSTRUCTION SHEET: 408-151043.
- 9. CONDUIT PROFILE: NORMAL ONLY.



2302486-1
ASSEMBLED VIEW SHOWN
DIMENSIONS SHOWN TYPICAL FOR 2302486-1 AND -3



2302486-2
ASSEMBLED VIEW SHOWN
DIMENSIONS SHOWN FOR 2302486-2 ONLY



FITS ON CAP ASSY	CORREGATE NC	CORREGATE NW	PART NUMBER
NC16	NW13	2302486-3	
776438-X	NC20	NW17	2302486-2
776539-X	SMOOTH	SMOOTH	2302486-1

THIS DRAWING IS A CONTROLLED DOCUMENT.

DMN: J. MCNEAL 26APR2016
CHK: R. BALTER 26APR2016
APVD: R. BALTER 26APR2016

TE Connectivity

NAME: BACKSHELL AND ELBOW KIT, 12 POSN CAP ASSY, AMPSEAL 16

PRODUCT SPEC: 108-151043

APPLICATION SPEC:

SIZE: A1 CAGE CODE: 100779 DRAWING NO: 2302486

RESTRICTED TO:

SCALE: 2:1 SHEET 1 OF 1 REV: A2