



Chipsmall Limited consists of a professional team with an average of over 10 year of expertise in the distribution of electronic components. Based in Hongkong, we have already established firm and mutual-benefit business relationships with customers from,Europe,America and south Asia,supplying obsolete and hard-to-find components to meet their specific needs.

With the principle of “Quality Parts,Customers Priority,Honest Operation,and Considerate Service”,our business mainly focus on the distribution of electronic components. Line cards we deal with include Microchip,ALPS,ROHM,Xilinx,Pulse,ON,Everlight and Freescale. Main products comprise IC,Modules,Potentiometer,IC Socket,Relay,Connector.Our parts cover such applications as commercial,industrial, and automotives areas.

We are looking forward to setting up business relationship with you and hope to provide you with the best service and solution. Let us make a better world for our industry!



Contact us

Tel: +86-755-8981 8866 Fax: +86-755-8427 6832

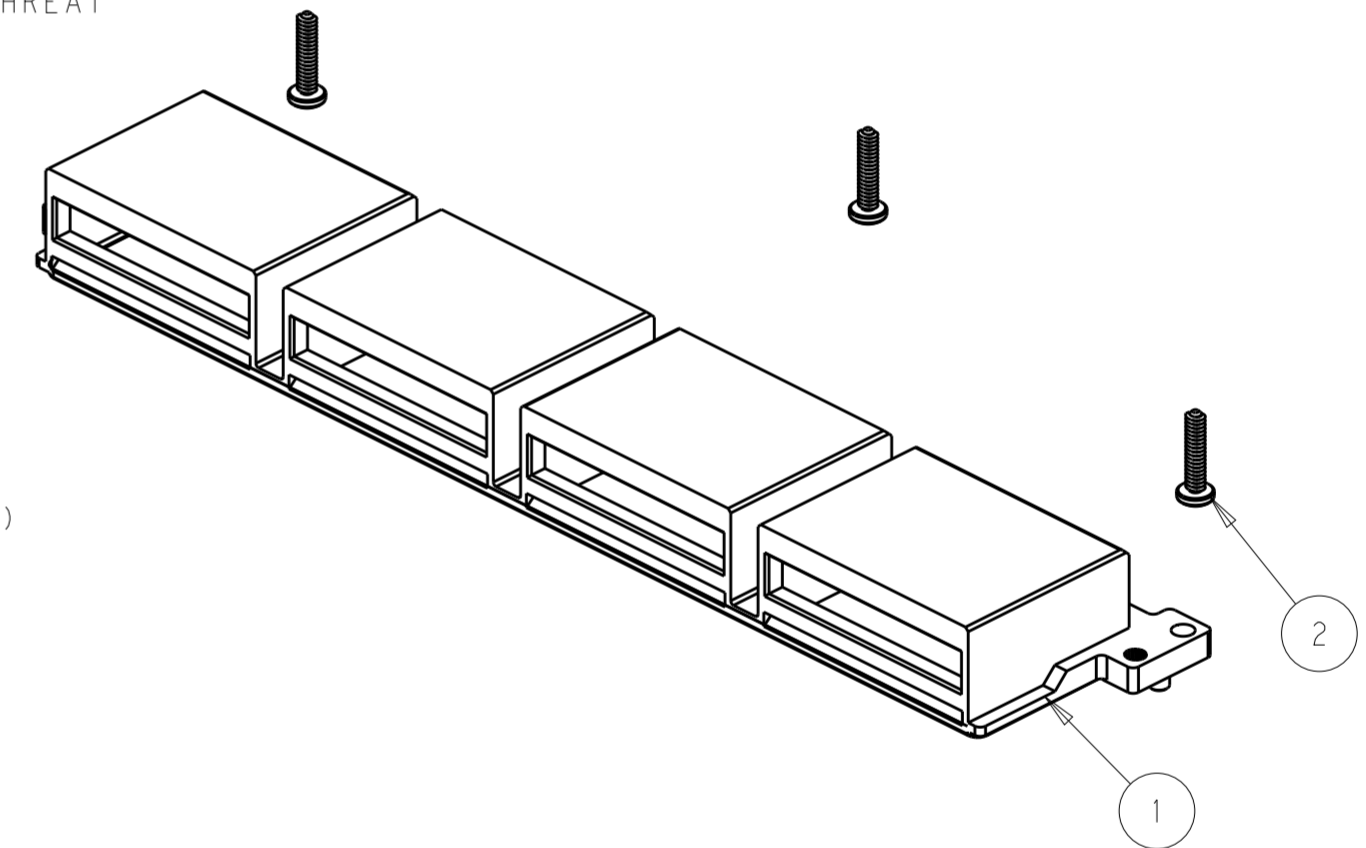
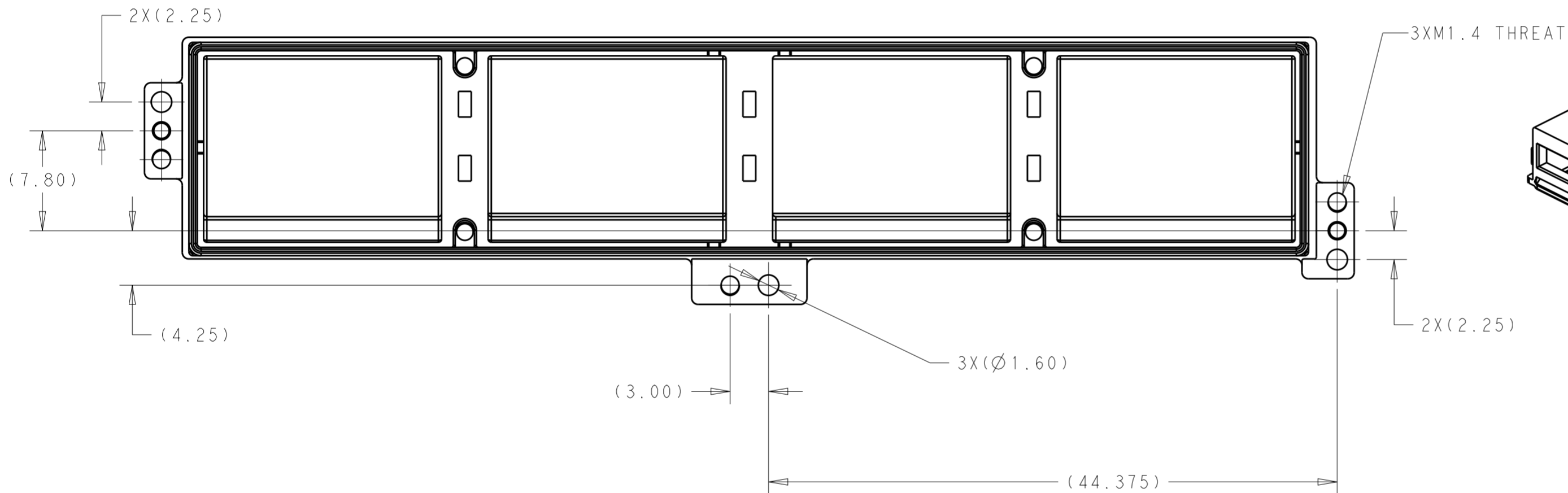
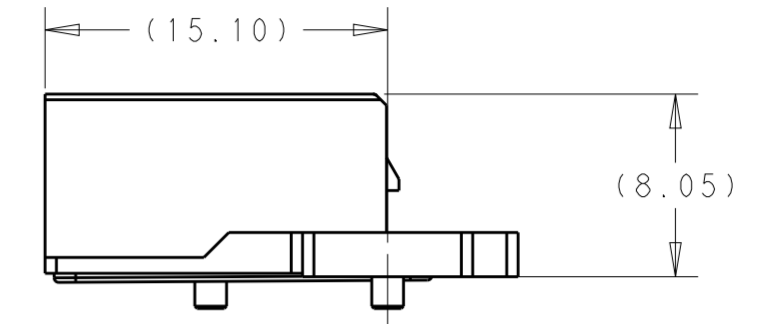
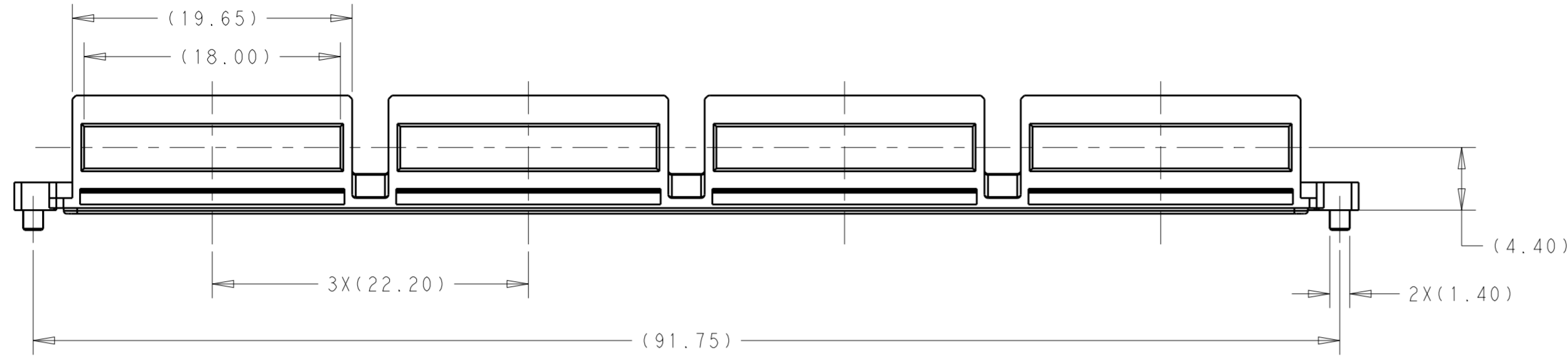
Email & Skype: info@chipsmall.com Web: www.chipsmall.com

Address: A1208, Overseas Decoration Building, #122 Zhenhua RD., Futian, Shenzhen, China



THIS DRAWING IS UNPUBLISHED. RELEASED FOR PUBLICATION 20
 © COPYRIGHT 20 BY - ALL RIGHTS RESERVED.

REVISIONS				
P	LTR	DESCRIPTION	DATE	APVD
1		PRELIMINARY DRAWING	25MAY2016	AD SH



- 1. MATERIAL : RECEPTAL COVER-ZNIC ALLOY
 GASKET:SILICON
 SCREW:STAINLESS STEEL
- 2.PLATING: RECEPTAL COVER-1.27µm MIN NICKEL OVER COPPER PLATING
- 3.MATE WIHT MSA COMPLIANT TRANSCEIVER
- 4.PACKAGE AS SEPARAOTR KITS IN ONE BOX

THIS PRINT IS
PRELIMINARY
 UNQUALIFIED PRODUCT
 CONTACT PRODUCT ENGINEERING
 BEFORE USING THIS PRINT

3	2292789-1	M1.4X6 SCREW	2
1	2289498-1	RECEPTAL COVER WIHT GASKET	1
-1	PART NUMBER	DESCRIPTION	ITEM

THIS DRAWING IS A CONTROLLED DOCUMENT.		DWN ANDY.XIE 25MAY2016	TE Connectivity																								
DIMENSIONS:		CHK SEAN.HAN 25MAY2016																									
TOLERANCES UNLESS OTHERWISE SPECIFIED:		APVD SEAN.HAN 25MAY2016																									
mm		PRODUCT SPEC																									
<table border="1"> <tr> <td>0 PLC</td> <td>±</td> <td></td> </tr> <tr> <td>1 PLC</td> <td>±0.25</td> <td></td> </tr> <tr> <td>2 PLC</td> <td>±0.15</td> <td></td> </tr> <tr> <td>3 PLC</td> <td>±0.10</td> <td></td> </tr> <tr> <td>4 PLC</td> <td>±</td> <td></td> </tr> <tr> <td>ANGLES</td> <td>±</td> <td></td> </tr> <tr> <td>FINISH</td> <td></td> <td></td> </tr> </table>		0 PLC	±		1 PLC	±0.25		2 PLC	±0.15		3 PLC	±0.10		4 PLC	±		ANGLES	±		FINISH			NAME RECEPTAL COVER WITH SCREW CFP4 1X4	SIZE A2	CAGE CODE -	DRAWING NO G-2304456	RESTRICTED TO -
0 PLC	±																										
1 PLC	±0.25																										
2 PLC	±0.15																										
3 PLC	±0.10																										
4 PLC	±																										
ANGLES	±																										
FINISH																											
MATERIAL		APPLICATION SPEC	WEIGHT	SCALE 1:1	SHEET 1	OF 1	REV 1																				
-		CUSTOMER DRAWING																									