



Chipsmall Limited consists of a professional team with an average of over 10 year of expertise in the distribution of electronic components. Based in Hongkong, we have already established firm and mutual-benefit business relationships with customers from,Europe,America and south Asia,supplying obsolete and hard-to-find components to meet their specific needs.

With the principle of “Quality Parts,Customers Priority,Honest Operation,and Considerate Service”,our business mainly focus on the distribution of electronic components. Line cards we deal with include Microchip,ALPS,ROHM,Xilinx,Pulse,ON,Everlight and Freescale. Main products comprise IC,Modules,Potentiometer,IC Socket,Relay,Connector.Our parts cover such applications as commercial,industrial, and automotives areas.

We are looking forward to setting up business relationship with you and hope to provide you with the best service and solution. Let us make a better world for our industry!



## Contact us

Tel: +86-755-8981 8866 Fax: +86-755-8427 6832

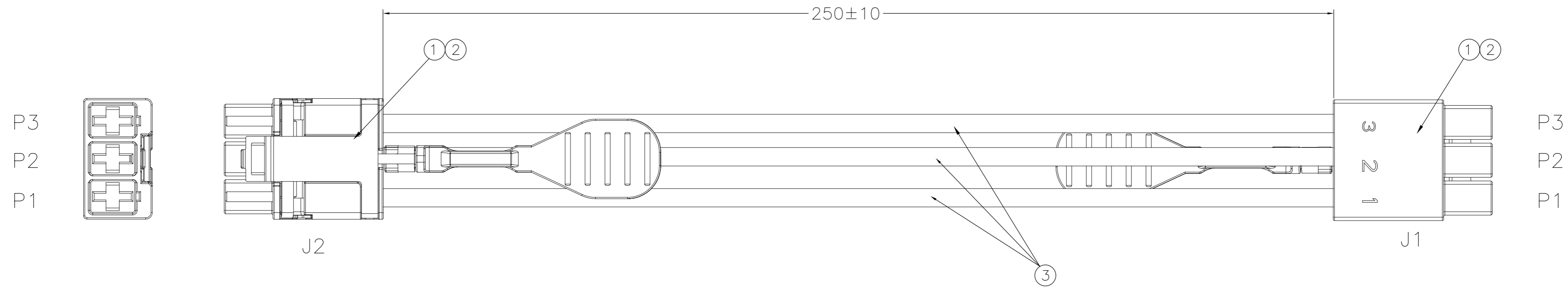
Email & Skype: info@chipsmall.com Web: www.chipsmall.com

Address: A1208, Overseas Decoration Building, #122 Zhenhua RD., Futian, Shenzhen, China



THIS DRAWING IS UNPUBLISHED. RELEASED FOR PUBLICATION  
 © COPYRIGHT - 12JUN2016 ALL RIGHTS RESERVED.

REVISIONS				
P	LTR	DESCRIPTION	DATE	APVD
1		INITIAL DRAWING	12JUN2016	AC DZ



WIRING CHART

FROM	WIRE COLOR	TO
J1-P3	BLACK	J2-P3
J1-P2	BLACK	J2-P2
J1-P1	BLACK	J2-P1

2304886-1	NO DETECT PIN
TE P/N	DESCRIPTION

AR	MR	DESCRIPTION	ITEM
-1	U/M	WIRE, AWG12, BLACK	3
6	PC	ET CONTACT, AWG12	2
2	PC	ET HSG, 3 POS, LONG PULL-TAB, NO DETECT PIN	1

NOTES:

- 100% ELECTRICAL TEST FOR CONTINUITY, OPENS AND SHORTS.

PRODUCT AND PROCESSING MUST MEET REQUIREMENTS OF TE CONNECTIVITY ENVIRONMENTAL STANDARD TEC-138-702

THIS DRAWING IS A CONTROLLED DOCUMENT.		DWN ADAM CHEN 12JUN2016	<b>TE</b> TE Connectivity	
DIMENSIONS: mm		CHK - APVD DAVID ZHANG 12JUN2016		
TOLERANCES UNLESS OTHERWISE SPECIFIED: 0 PLC ± - 1 PLC ± - 2 PLC ± - 3 PLC ± - 4 PLC ± - ANGLES ± -		PRODUCT SPEC - APPLICATION SPEC -	SIZE A2	CAGE CODE 00779
MATERIAL -		FINISH -	DRAWING NO C=2304886	RESTRICTED TO -
CUSTOMER DRAWING			SCALE N.T.S	SHEET 1 of 1
			REV 1	