



Chipsmall Limited consists of a professional team with an average of over 10 year of expertise in the distribution of electronic components. Based in Hongkong, we have already established firm and mutual-benefit business relationships with customers from,Europe,America and south Asia,supplying obsolete and hard-to-find components to meet their specific needs.

With the principle of “Quality Parts,Customers Priority,Honest Operation,and Considerate Service”,our business mainly focus on the distribution of electronic components. Line cards we deal with include Microchip,ALPS,ROHM,Xilinx,Pulse,ON,Everlight and Freescale. Main products comprise IC,Modules,Potentiometer,IC Socket,Relay,Connector.Our parts cover such applications as commercial,industrial, and automotives areas.

We are looking forward to setting up business relationship with you and hope to provide you with the best service and solution. Let us make a better world for our industry!



## Contact us

Tel: +86-755-8981 8866 Fax: +86-755-8427 6832

Email & Skype: info@chipsmall.com Web: www.chipsmall.com

Address: A1208, Overseas Decoration Building, #122 Zhenhua RD., Futian, Shenzhen, China



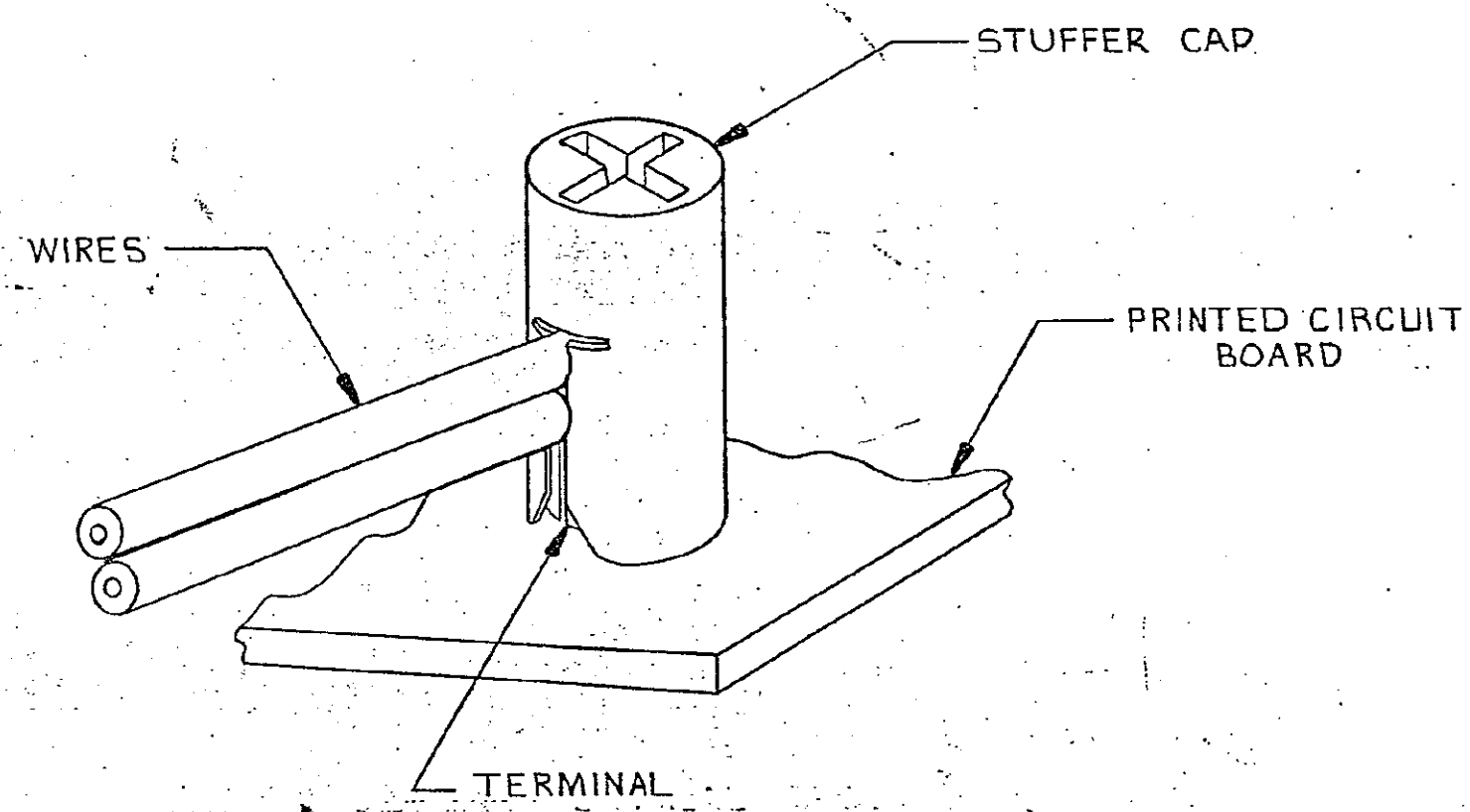
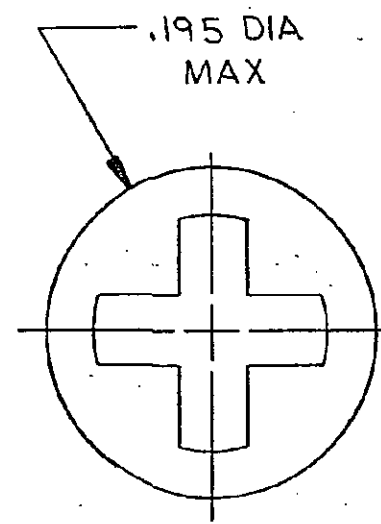
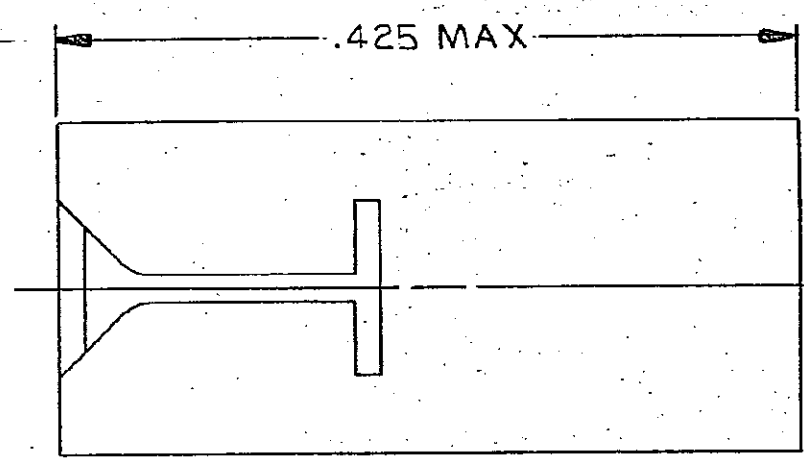
DRAWING MADE IN THIRD ANGLE PROJECTION

LOC AA DIST 27

© COPYRIGHT 1978 BY AMP INCORPORATED, HARRISBURG, PA.  
ALL INTERNATIONAL RIGHTS RESERVED. AMP INCORPORATED PRODUCTS  
COVERED BY U. S. AND FOREIGN PATENTS AND/OR PATENTS PENDING.

REVISIONS						
P	F	ZONE	LTR	DESCRIPTION	DATE	APPROVED
		E		OBS: 5/11/EC 0502-0222-96	5/11/79	03 RD

1. RECOMMENDED INSERTION TOOL: NO. 2 PHILLIPS SCREWDRIVER.



DETAIL A  
FOR REFERENCE ONLY

LOOSE PIECE	NATURAL YELLOW	552699	24-28	-3
PACKAGING	COLOR	TERM PART NO.	WIRE GAGE	PART NO
			18-22	230707-1

UNLESS OTHERWISE SPECIFIED DIMENSIONS ARE IN INCHES. TOLERANCES ON: DECIMALS ± ANGLES ±	CONTRACT NO	AMP INCORPORATED Harrisburg, Pa.
	DR: <i>Victor E. Slack</i> 12/29/78	
MATERIAL NYLON 6/6	CHK: <i>RE Reich</i> 1/2/79	NAME CAP, STUFFER, .125 DIA
FINISH	APPD: <i>V. Q. Vancian</i> 1-2-79	SIZE CODE IDENT NO DRAWING NO. C 00779 230707
	DSGN APPD	SCALE: 10-1
	OTHER APPD: <i>RE Reich</i> 1/2/79	SHEET 1 OF 1

A WAS 1222-77-27

230707

CUSTOMER DRAWING