



Chipsmall Limited consists of a professional team with an average of over 10 year of expertise in the distribution of electronic components. Based in Hongkong, we have already established firm and mutual-benefit business relationships with customers from,Europe,America and south Asia,supplying obsolete and hard-to-find components to meet their specific needs.

With the principle of “Quality Parts,Customers Priority,Honest Operation,and Considerate Service”,our business mainly focus on the distribution of electronic components. Line cards we deal with include Microchip,ALPS,ROHM,Xilinx,Pulse,ON,Everlight and Freescale. Main products comprise IC,Modules,Potentiometer,IC Socket,Relay,Connector.Our parts cover such applications as commercial,industrial, and automotives areas.

We are looking forward to setting up business relationship with you and hope to provide you with the best service and solution. Let us make a better world for our industry!



Contact us

Tel: +86-755-8981 8866 Fax: +86-755-8427 6832

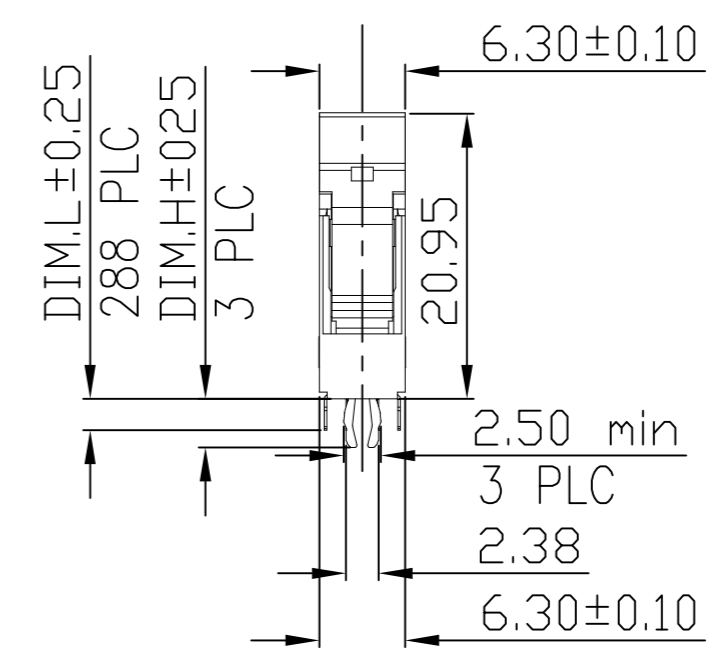
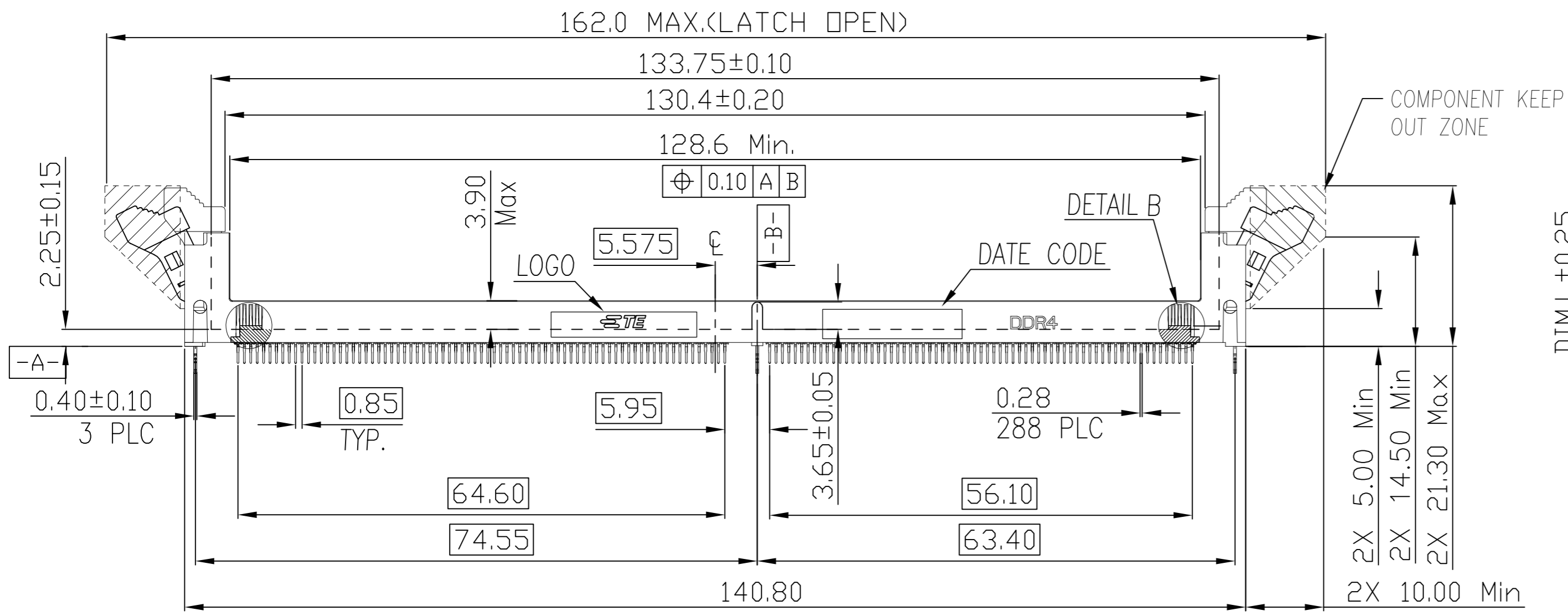
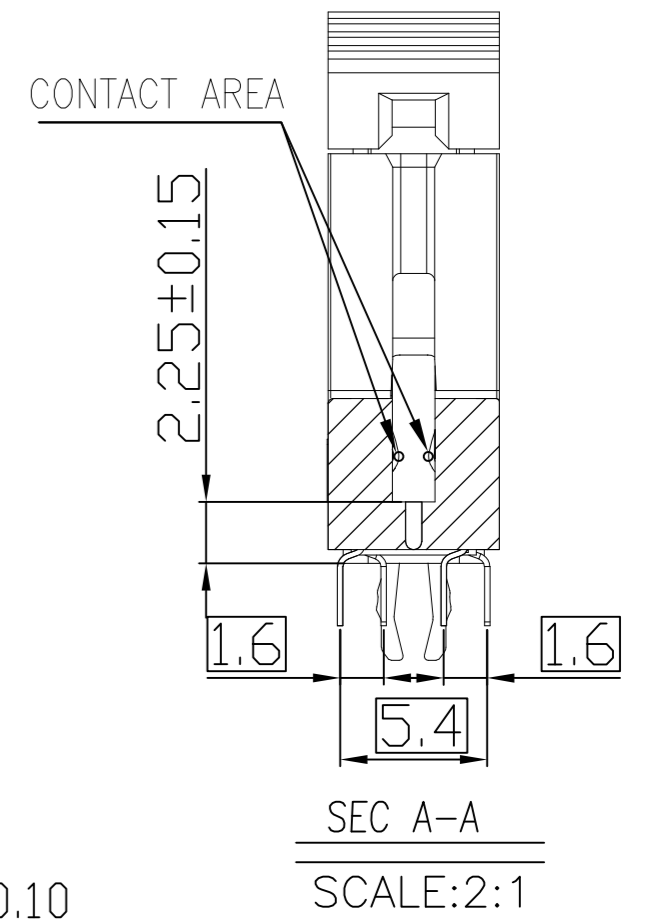
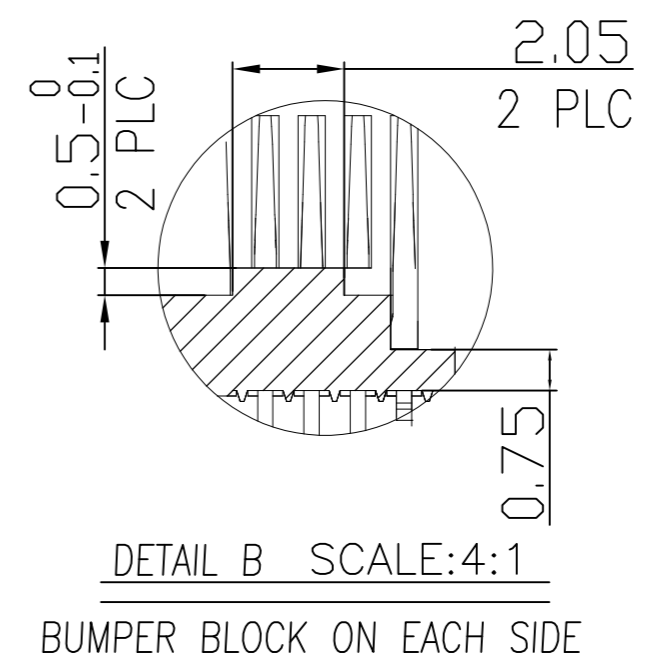
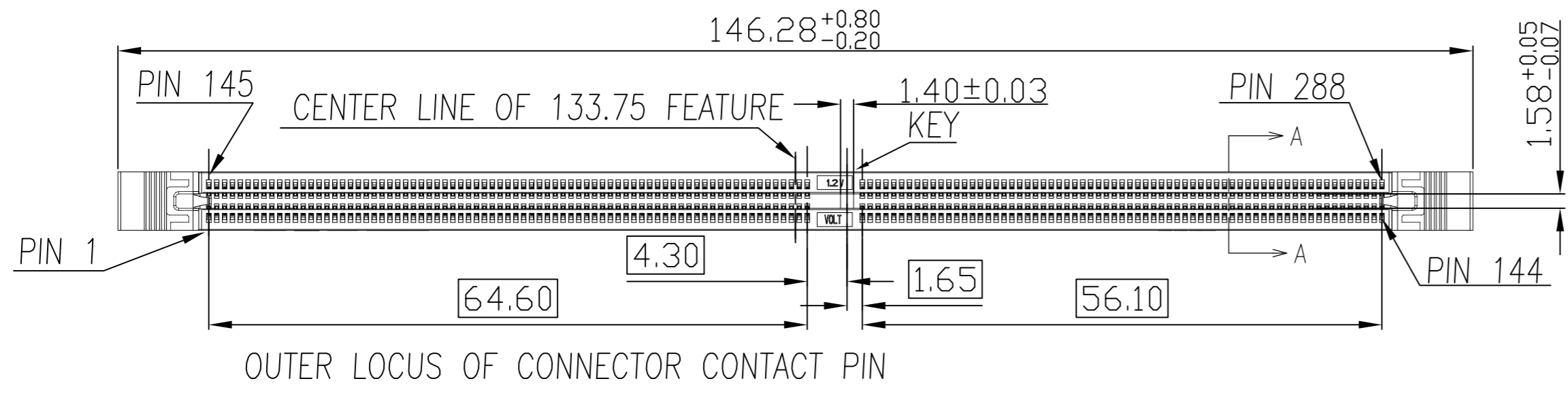
Email & Skype: info@chipsmall.com Web: www.chipsmall.com

Address: A1208, Overseas Decoration Building, #122 Zhenhua RD., Futian, Shenzhen, China



THIS DRAWING IS UNPUBLISHED. RELEASED FOR PUBLICATION
 © COPYRIGHT - By - ALL RIGHTS RESERVED.

REVISIONS				
P	LTR	DESCRIPTION	DATE	APVD
12	REVISED		1MAR2017	D.Z S.L

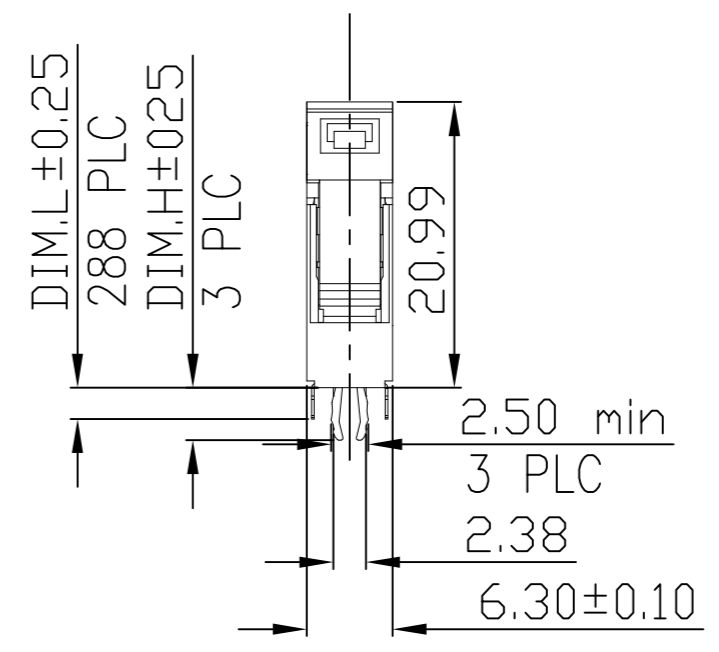
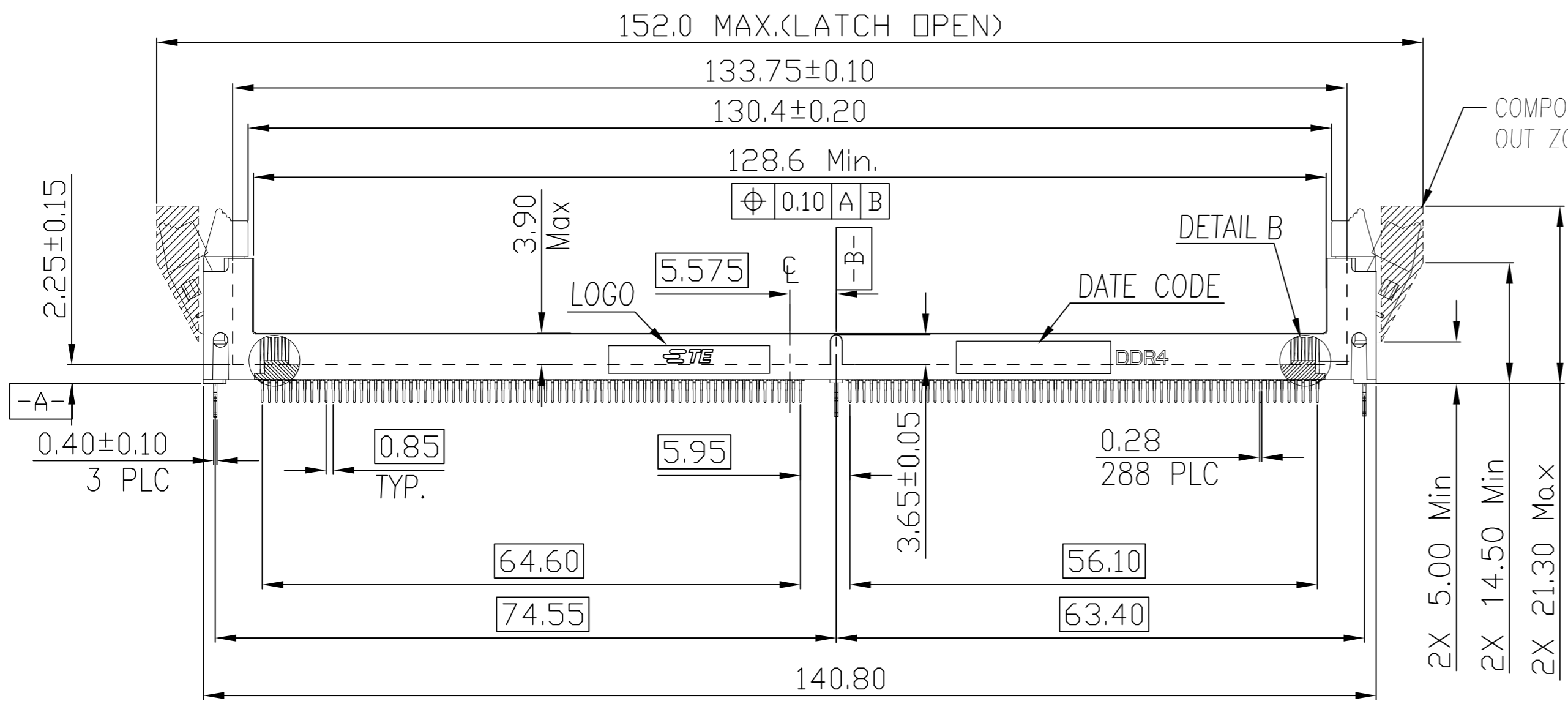
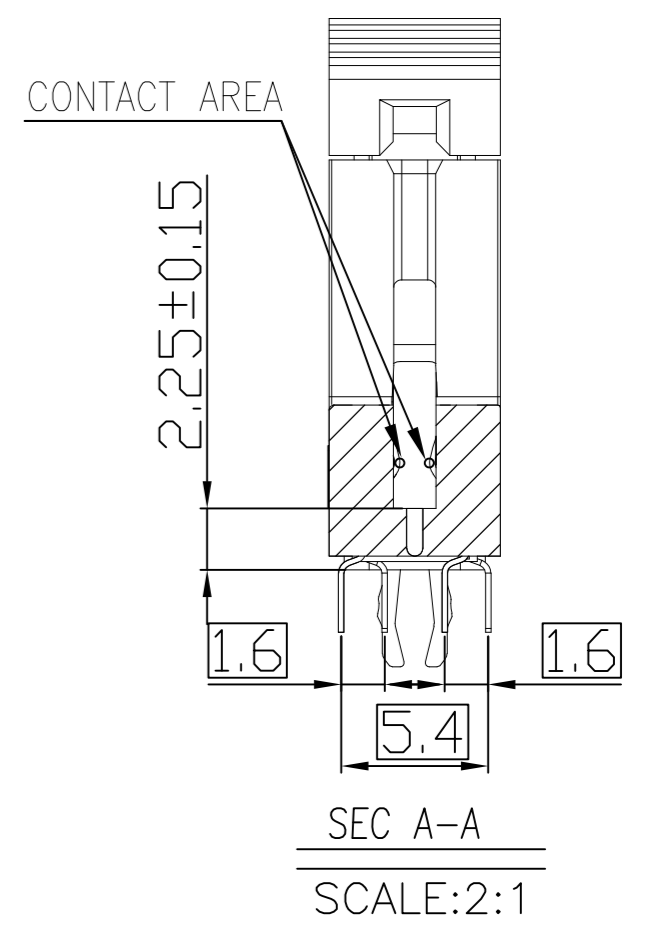
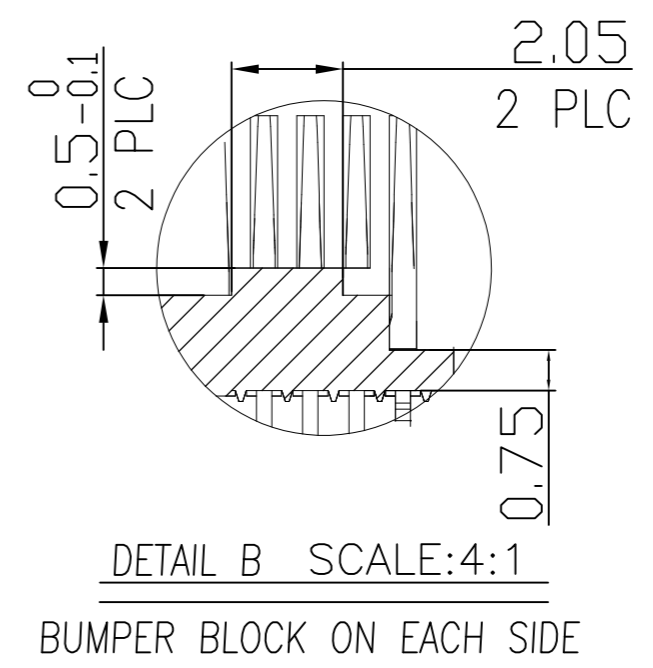
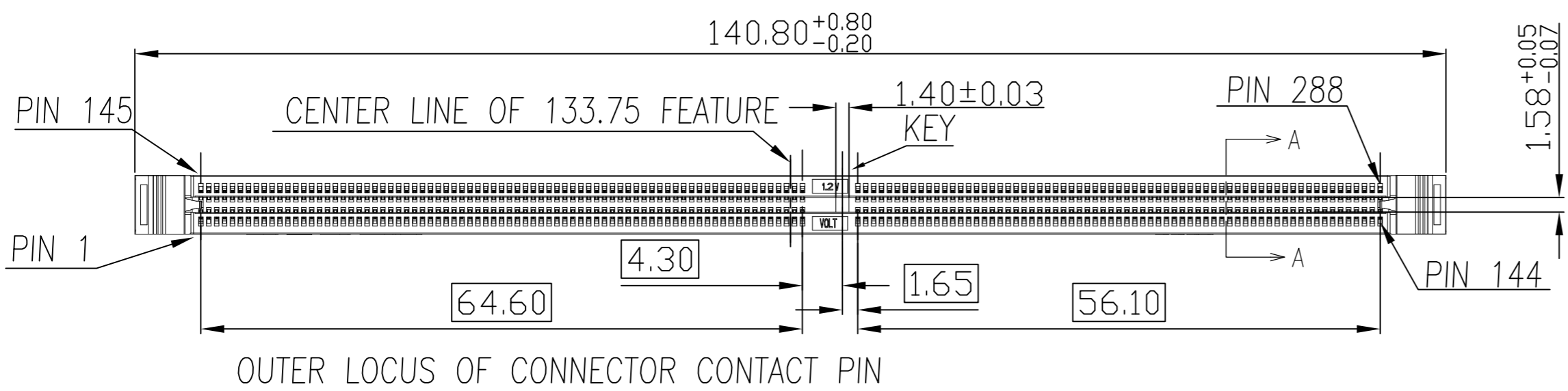


- NOTES:
- PRODUCT MEET CONTROLLED SUBSTANCES SPEC. ROHS 2.0
 - 1. MATERIAL:
 - 1.1 HOUSING: HIGH TEMPERATURE THERMOPLASTIC, UL94 V-0
 - 1.2 LATCH: HIGH TEMPERATURE THERMOPLASTIC, UL94 V-0
 - 1.3 CONTACT: COPPER ALLOY
 - 1.4 BOARD LOCK: STAINLESS STEEL
 - 2. INTERFACE FINISH:
 - (1) 0.00038 MIN THK GOLD OVER 0.00127 MIN THK NICKEL.
 - (2) GOLD FLASH OVER 0.00127 MIN THK NICKEL.
 - (3) 0.00076 MIN THK GOLD OVER 0.00127 MIN THK NICKEL
 - 3. WAVE SOLDER CAPABLE TO 270°C 10S.
 - 4. KEEP OUT AREA RESERVED FOR SOCKET EXTRACTORS, BOTH ENDS.

DUAL LONG LATCH

THIS DRAWING IS A CONTROLLED DOCUMENT.		DWN DAVID ZHAO 15AUG2016	TE Connectivity	
DIMENSIONS: mm		CHK SIMON LI 15AUG2016		
TOLERANCES UNLESS OTHERWISE SPECIFIED:		APVD COREL WANG 15AUG2016	NAME	
0 PLC ± -		PRODUCT SPEC	SOCKET ASSEMBLY	
1 PLC ± 0.25		APPLICATION SPEC	DDR4 DIMM,T/H TYPE	
2 PLC ± 0.15		108-115124	288 POSITION	
3 PLC ± -0.10			SIZE	CAGE CODE
4 PLC ± -			A2	00779
ANGLES ± -		WEIGHT 7.3g	DRAWING NO	RESTRICTED TO
FINISH		CUSTOMER DRAWING	C=2308107	-
		SCALE 1:1	SHEET 1 of 6	REV 12

REVISIONS					
P	LTR	DESCRIPTION	DATE	DWN	APVD
-	-	SEE SHEET 1	-	-	-



DUAL SHORT LATCH


THIS DRAWING IS A CONTROLLED DOCUMENT.		DWN DAVID ZHAO 15AUG2016			TE Connectivity	
DIMENSIONS: mm		CHK SIMON LI 15AUG2016			NAME	
TOLERANCES UNLESS OTHERWISE SPECIFIED:		APVD COREL WANG 15AUG2016	PRODUCT SPEC		DDR4 DIMM,T/H TYPE	
0 PLC ± -		108-115124		APPLICATION SPEC		288 POSITION
1 PLC ± 0.25		WEIGHT 7.0g		SIZE A2	CAGE CODE 00779	DRAWING NO C=2308107
2 PLC ± 0.15		CUSTOMER DRAWING		SCALE 1:1	SHEET 2 of 6	REV 12
3 PLC ± -0.10						
4 PLC ± -						
ANGLES ± -						
FINISH						

THIS DRAWING IS UNPUBLISHED. RELEASED FOR PUBLICATION
 © COPYRIGHT - By - ALL RIGHTS RESERVED.


REVISIONS					
P	LTR	DESCRIPTION	DATE	DWN	APVD
-	-	SEE SHEET 1	-	-	-

NATURAL	BLUE(2935U)	15u"	3.85	3.18	6-2308107-5
NATURAL	BLACK	15u"	3.85	3.18	6-2308107-4
NATURAL	BLACK	30u"	3.57	2.67	6-2308107-3
NATURAL	NATURAL	30u"	3.85	3.18	6-2308107-2
GREEN (375C)	BLACK	30u"	3.85	3.18	6-2308107-1
NATURAL	BLACK	30u"	3.85	3.18	6-2308107-0
BLACK	BLACK	30u"	3.85	3.18	5-2308107-9
NATURAL	NATURAL	30u"	3.57	2.10	5-2308107-8
BLACK	BLACK	30u"	3.57	2.10	5-2308107-7
BLACK	BLACK	30u"	3.57	2.67	5-2308107-6
NATURAL	NATURAL	30u"	3.57	2.67	5-2308107-5
BLACK	BLACK	15u"	3.57	2.67	5-2308107-4
NATURAL	NATURAL	15u"	3.57	2.67	5-2308107-3
NATURAL	BLUE(2935U)	15u"	3.57	2.67	5-2308107-2
NATURAL	BLACK	15u"	3.57	2.67	5-2308107-1
LATCH COLOR	HOUSING COLOR	CONTACT GOLD INTERFACE 	DIM H	DIM L	PART NUMBER

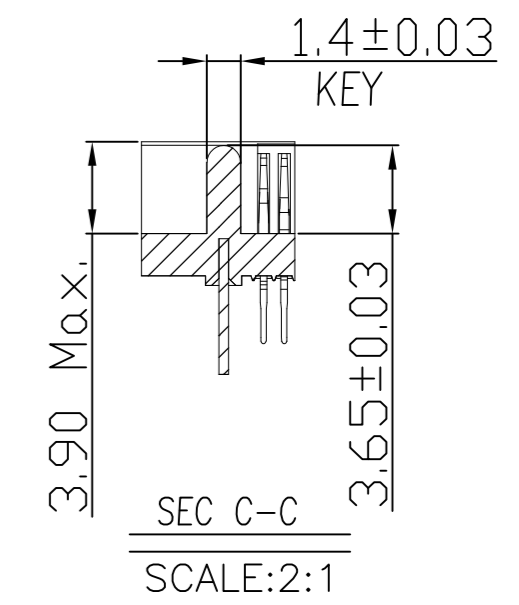
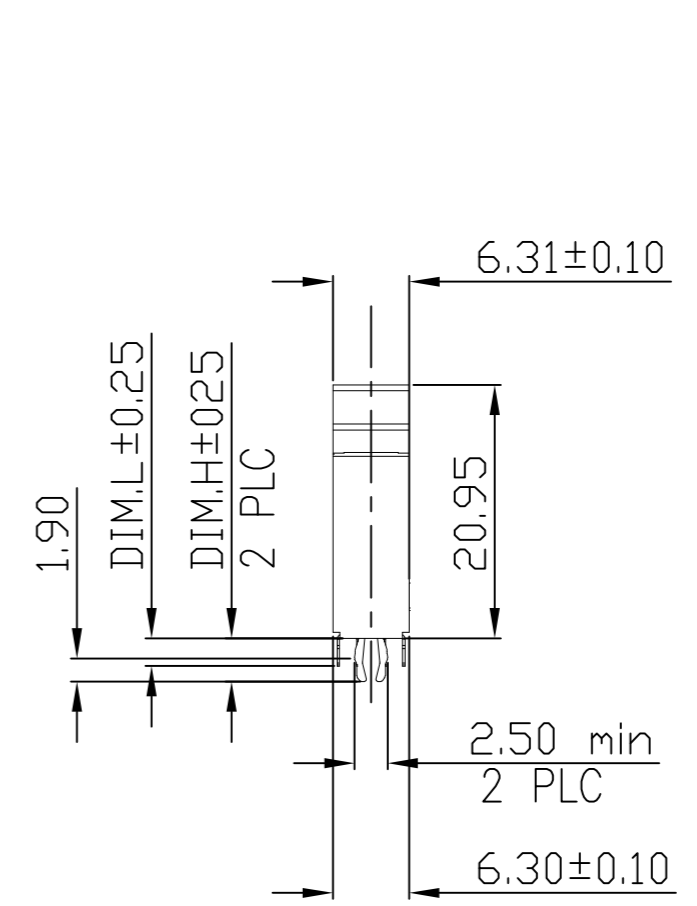
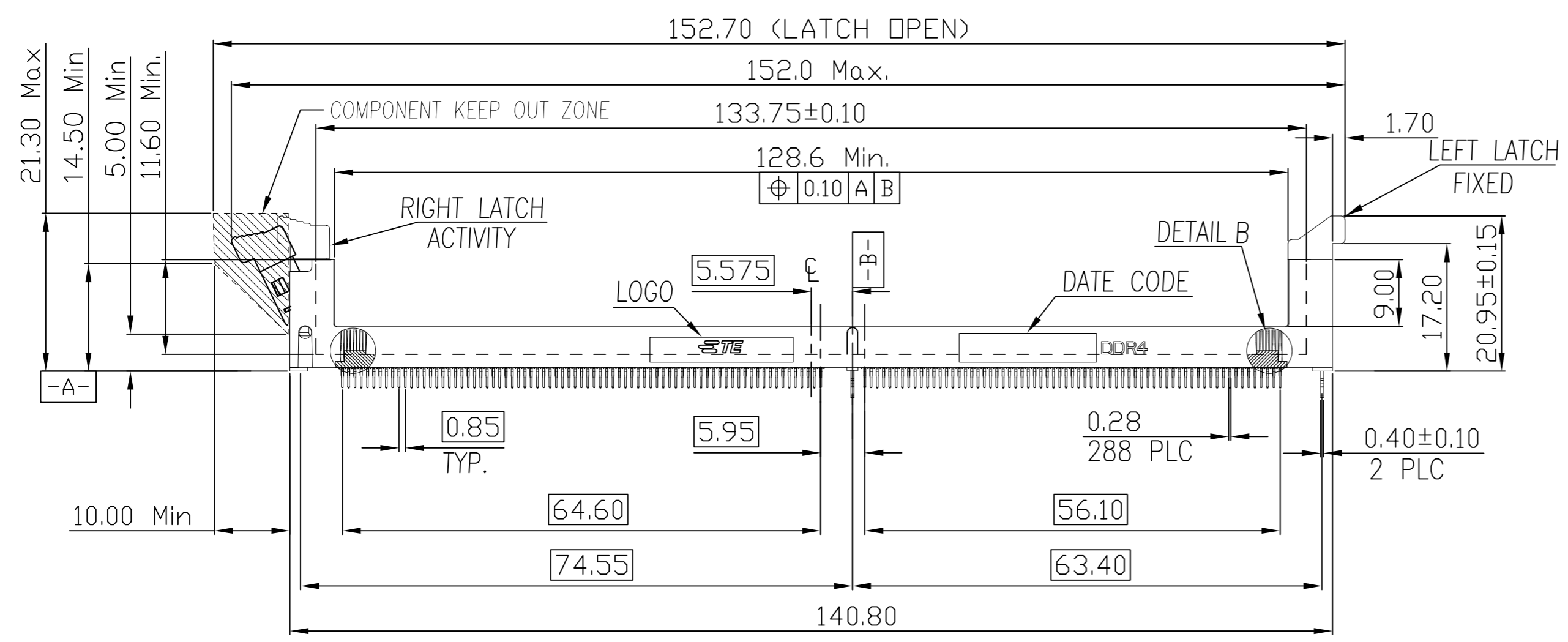
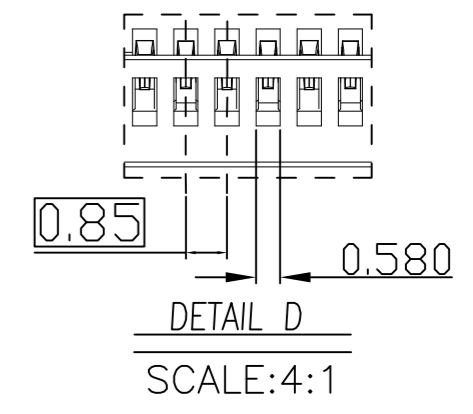
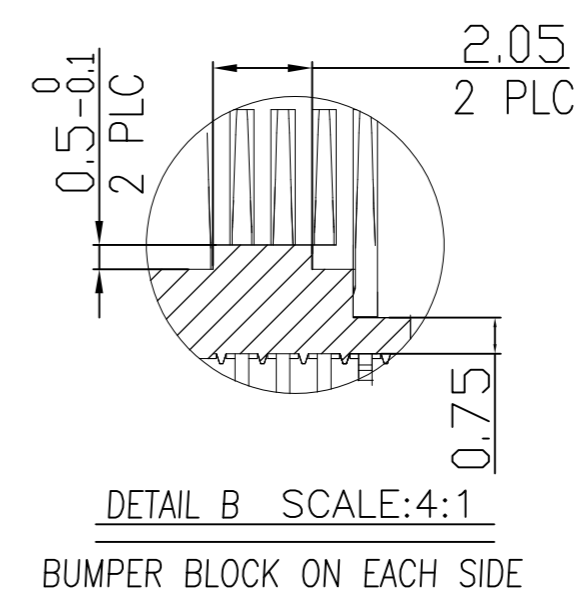
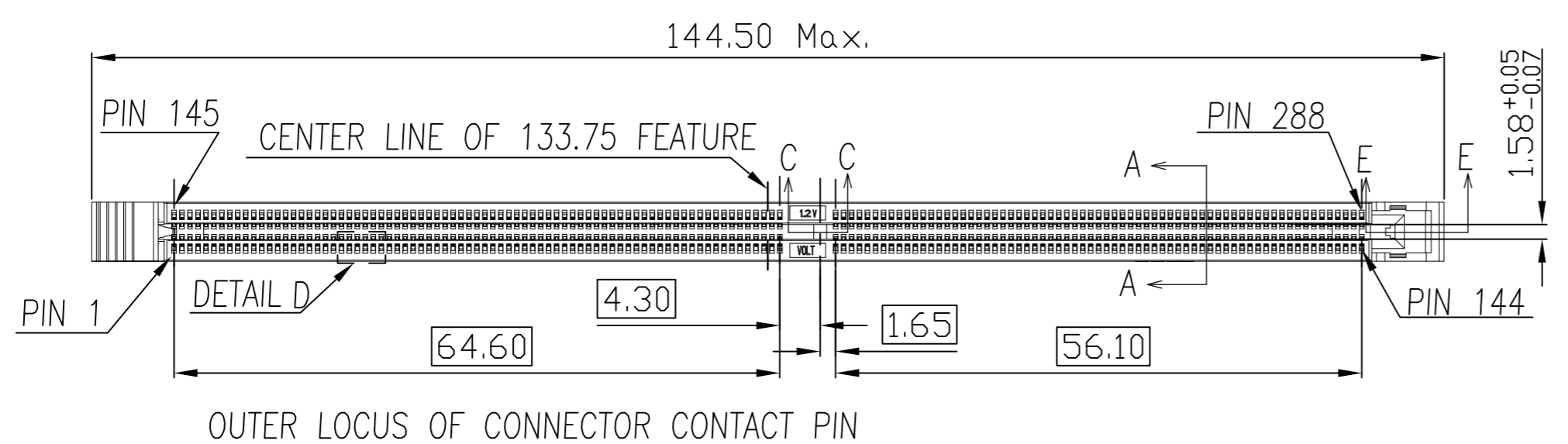
SHORT LATCH TYPE

NATURAL	YELLOW	30u"	3.57	2.40	3-2308107-1
NATURAL	BLACK	30u"	3.57	2.40	3-2308107-0
NATURAL	BLACK	15u"	3.57	2.67	2-2308107-7
NATURAL	BLUE(2935U)	15u"	3.57	2.67	2-2308107-4
NATURAL	BLACK	30u"	3.57	2.40	2-2308107-3
NATURAL	BLACK	30u"	3.85	3.18	2-2308107-2
NATURAL	BLACK	15u"	3.57	2.40	2-2308107-1
BLUE(2935U)	BLUE(2935U)	15u"	3.85	3.18	2-2308107-0
GREEN (375C)	GREEN (375C)	15u"	3.85	3.18	1-2308107-9
NATURAL	NATURAL	15u"	3.85	3.18	1-2308107-8
BLACK	BLACK	15u"	3.85	3.18	1-2308107-7
BLACK	BLACK	30u"	3.57	2.10	1-2308107-6
NATURAL	BLACK	30u"	3.57	2.10	1-2308107-5
GREEN (375C)	BLACK	30u"	3.57	2.10	1-2308107-4
BLACK	BLACK	30u"	3.57	2.67	1-2308107-3
NATURAL	BLACK	30u"	3.57	2.67	1-2308107-2
GREEN (375C)	BLACK	30u"	3.57	2.67	1-2308107-1
NATURAL	BLACK	15u"	3.57	2.10	1-2308107-0
NATURAL	BLUE(2935U)	15u"	3.57	2.10	2308107-9
NATURAL	GREEN (375C)	15u"	3.57	2.10	2308107-8
NATURAL	BLACK	15u"	3.85	3.18	2308107-7
NATURAL	BLUE(2935U)	15u"	3.85	3.18	2308107-6
NATURAL	NATURAL	30u"	3.57	2.40	2308107-5
BLACK	BLACK	30u"	3.57	2.40	2308107-4
NATURAL	GREEN (375C)	15u"	3.57	2.40	2308107-3
NATURAL	BLUE(2935U)	15u"	3.57	2.40	2308107-2
BLACK	BLACK	15u"	3.57	2.40	2308107-1
LATCH COLOR	HOUSING COLOR	CONTACT GOLD INTERFACE 	DIM H	DIM L	PART NUMBER

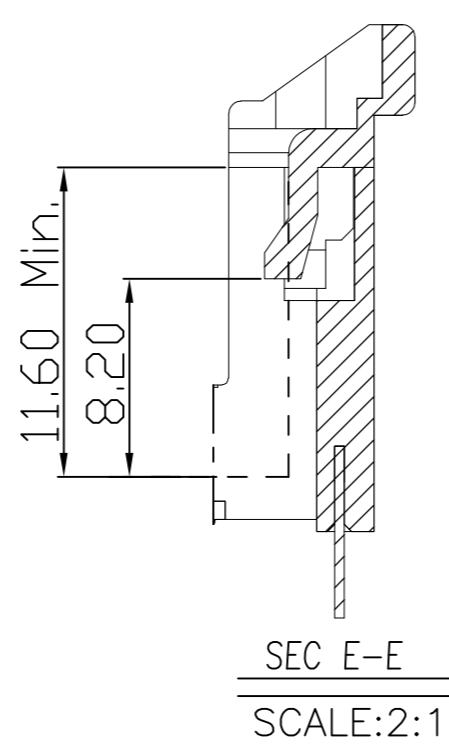
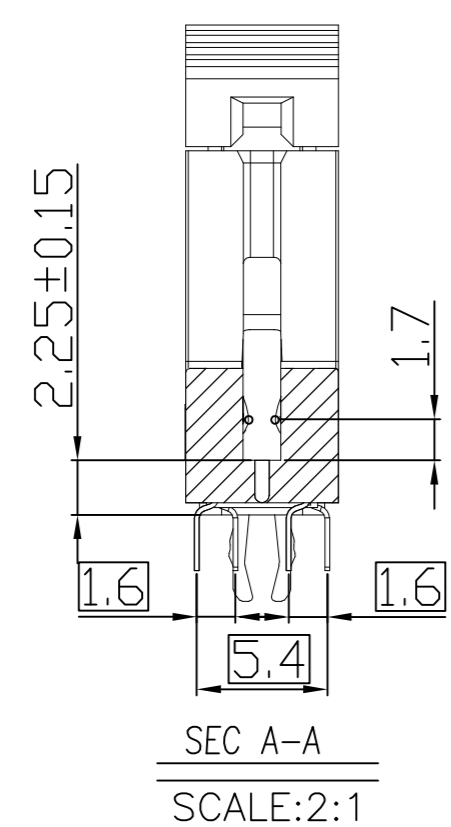
LONG LATCH TYPE

THIS DRAWING IS A CONTROLLED DOCUMENT.		DWN DAVID ZHAO 15AUG2016	 TE Connectivity		
DIMENSIONS: mm		CHK SIMON LI 15AUG2016			
TOLERANCES UNLESS OTHERWISE SPECIFIED:		APVD COREL WANG 15AUG2016	NAME		
0 PLC ± -		PRODUCT SPEC	SOCKET ASSEMBLY		
1 PLC ± 0.25		APPLICATION SPEC	DDR4 DIMM,T/H TYPE		
2 PLC ± 0.15		WEIGHT -	288 POSITION		
3 PLC ± -0.10		SCALE 1:1	RESTRICTED TO		
4 PLC ± -		SHEET 3 OF 6	REV 12		
ANGLES ± -		CUSTOMER DRAWING	A2 00779 C=2308107		
FINISH -					

REVISIONS					
P	LTR	DESCRIPTION	DATE	DWN	APVD
-	-	SEE SHEET 1	-	-	-



LEFT ACTIVITY LATCH

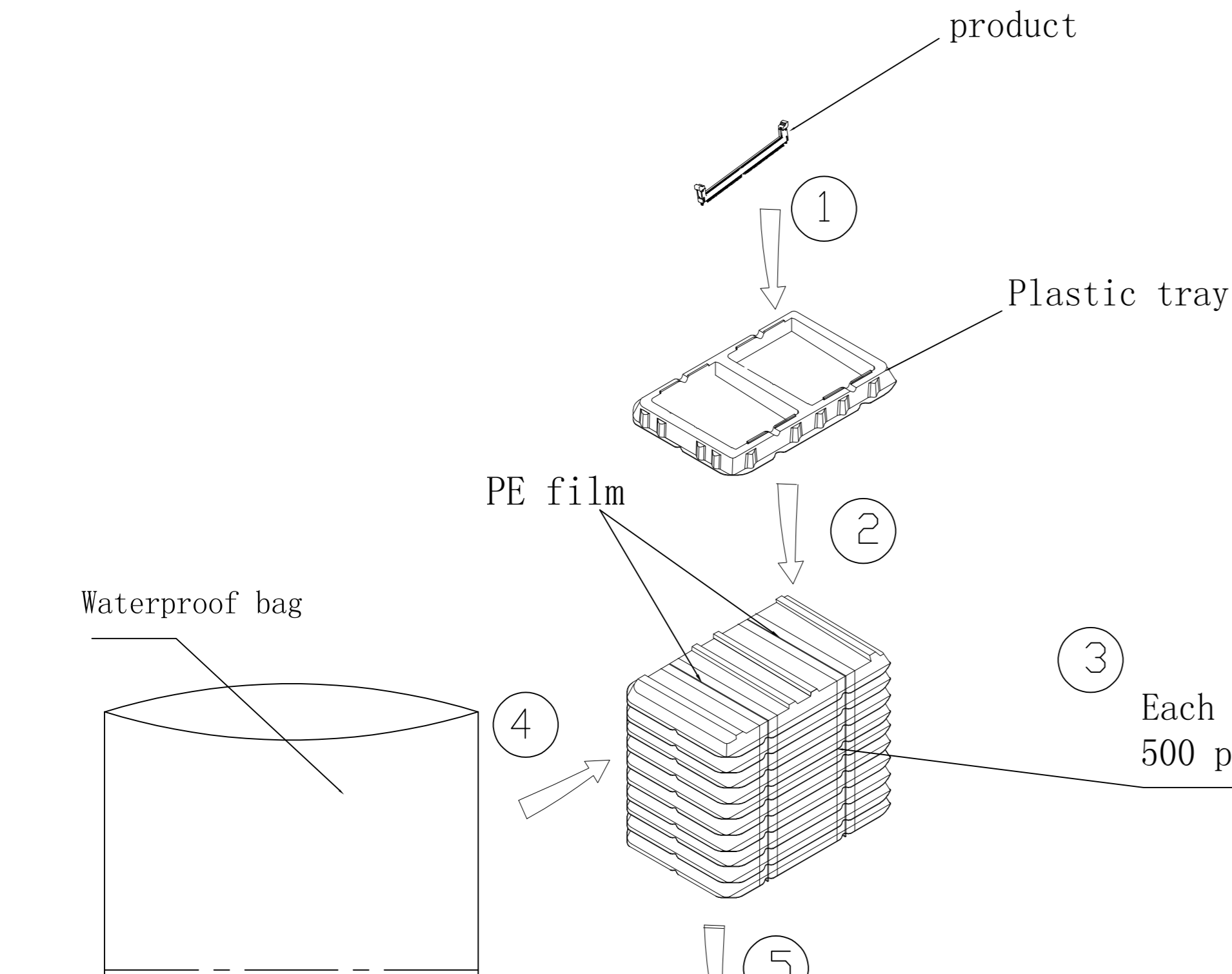


NATURAL	NATURAL	BLUE(2935U)	15u" MIN.	3.85	2.67	9-2308107-2
FIXED LATCH COLOR	ACTIVITY LATCH COLOR	BLACK	CONTACT GOLD INTERFACE	3.85	2.67	9-2308107-1
		HOUSING COLOR		DIM H	DIM L	PART NUMBER

THIS DRAWING IS A CONTROLLED DOCUMENT.		DWN DAVID ZHAO 15AUG2016	TE Connectivity			
DIMENSIONS: mm		CHK SIMON LI 15AUG2016				
TOLERANCES UNLESS OTHERWISE SPECIFIED:		APVD COREL WANG 15AUG2016	NAME			
0 PLC ± -	1 PLC ± 0.25	PRODUCT SPEC	SOCKET ASSEMBLY			
2 PLC ± 0.15	3 PLC ± -0.10	APPLICATION SPEC	DDR4 DIMM,T/H TYPE			
4 PLC ± -	ANGLES ± -	108-115124	288 POSITION			
MATERIAL	FINISH	WEIGHT 7.6g	SIZE A2	CAGE CODE 00779	DRAWING NO. C=2308107	RESTRICTED TO
		CUSTOMER DRAWING	SCALE 1:1	SHEET 4 OF 6	REV 12	

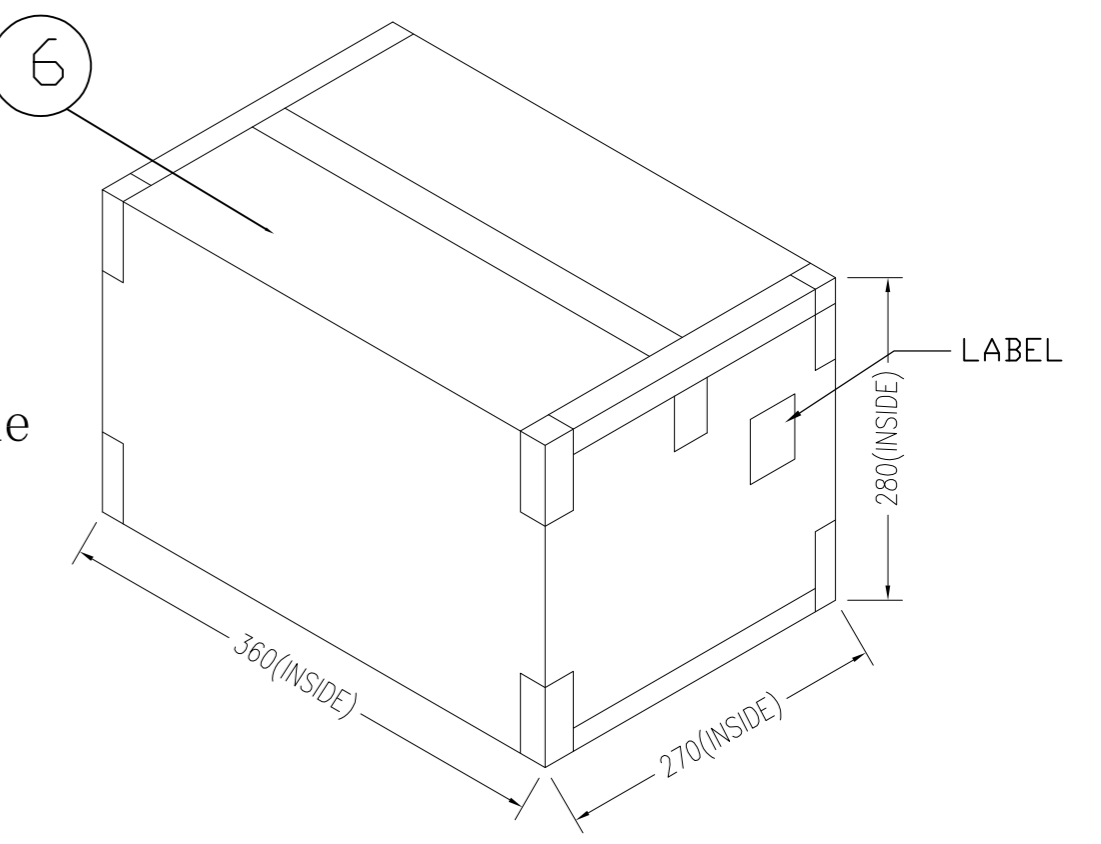
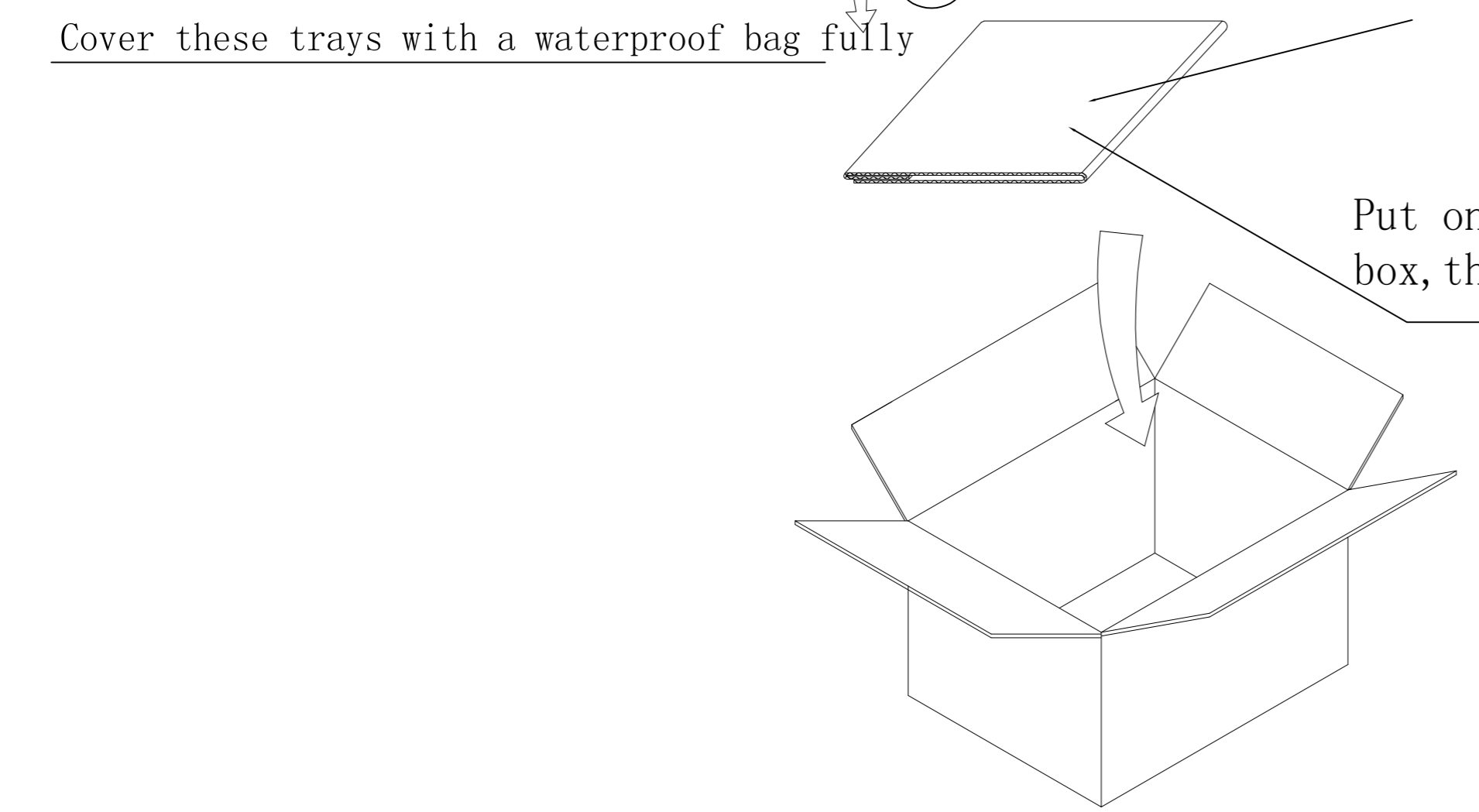
THIS DRAWING IS UNPUBLISHED. RELEASED FOR PUBLICATION
 © COPYRIGHT - By - ALL RIGHTS RESERVED.

REVISIONS				
P	LTR	DESCRIPTION	DATE	APVD
-	-	SEE SHEET 1	-	-



5.4kg	3.5kg	50	10	500
GROSS WEIGHT	NET WEIGHT	PCS/ TRAY	TRAY/ BOX	PCS/ BOX

Each box has 10 plastic trays and 1 plastic lid. Each plastic tray has 50 products. 500 products in a box in total, and then with PE film to fix around it.



THIS DRAWING IS A CONTROLLED DOCUMENT.		DWN DAVID ZHAO 15AUG2016	STE TE Connectivity	
DIMENSIONS: mm		CHK SIMON LI 15AUG2016		
TOLERANCES UNLESS OTHERWISE SPECIFIED:		APVD COREL WANG 15AUG2016	NAME	
0 PLC ± -		PRODUCT SPEC	SOCKET ASSEMBLY	
1 PLC ± 0.25		APPLICATION SPEC	DDR4 DIMM,T/H TYPE	
2 PLC ± 0.15		WEIGHT -	SIZE A2	CAGE CODE 00779
3 PLC ± -0.10		FINISH -	DRAWING NO C=2308107	RESTRICTED TO -
4 PLC ± -		MATERIAL -	SCALE 1:1	SHEET 6 OF 6
ANGLES ± -		CUSTOMER DRAWING	REV 12	

2308107