



Chipsmall Limited consists of a professional team with an average of over 10 year of expertise in the distribution of electronic components. Based in Hongkong, we have already established firm and mutual-benefit business relationships with customers from,Europe,America and south Asia,supplying obsolete and hard-to-find components to meet their specific needs.

With the principle of “Quality Parts,Customers Priority,Honest Operation,and Considerate Service”,our business mainly focus on the distribution of electronic components. Line cards we deal with include Microchip,ALPS,ROHM,Xilinx,Pulse,ON,Everlight and Freescale. Main products comprise IC,Modules,Potentiometer,IC Socket,Relay,Connector.Our parts cover such applications as commercial,industrial, and automotives areas.

We are looking forward to setting up business relationship with you and hope to provide you with the best service and solution. Let us make a better world for our industry!



## Contact us

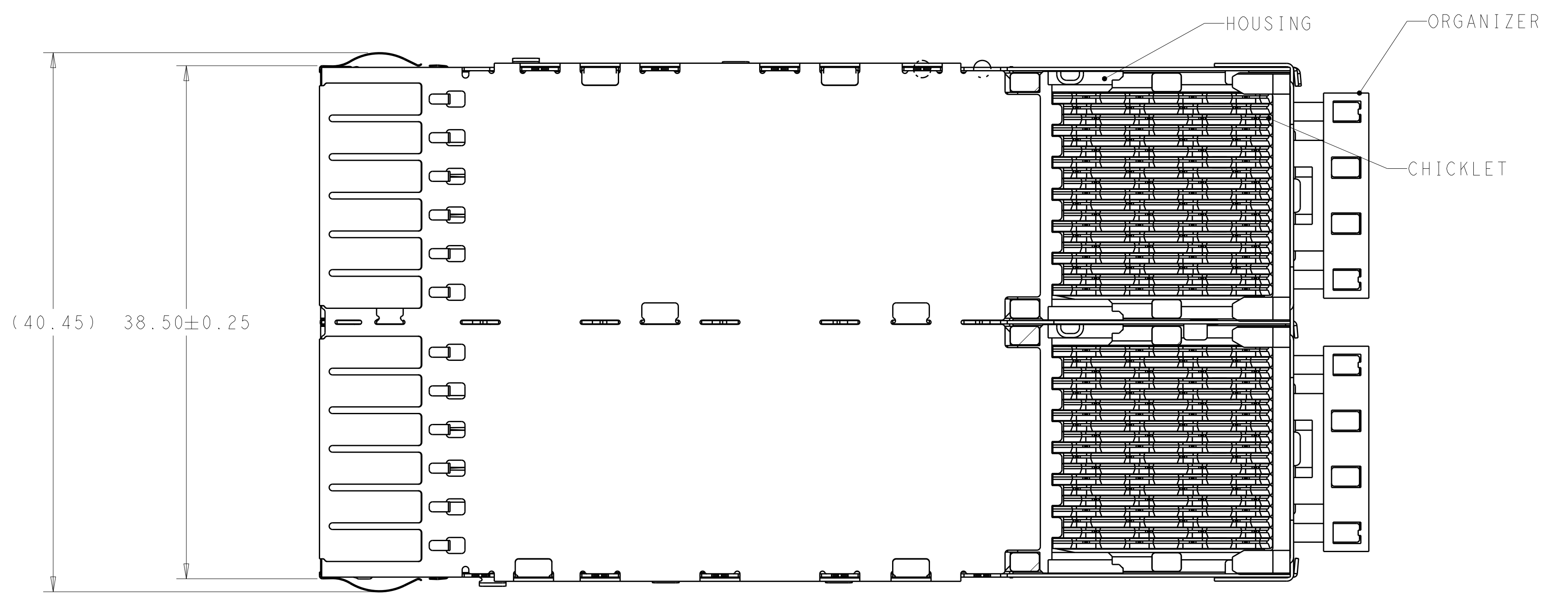
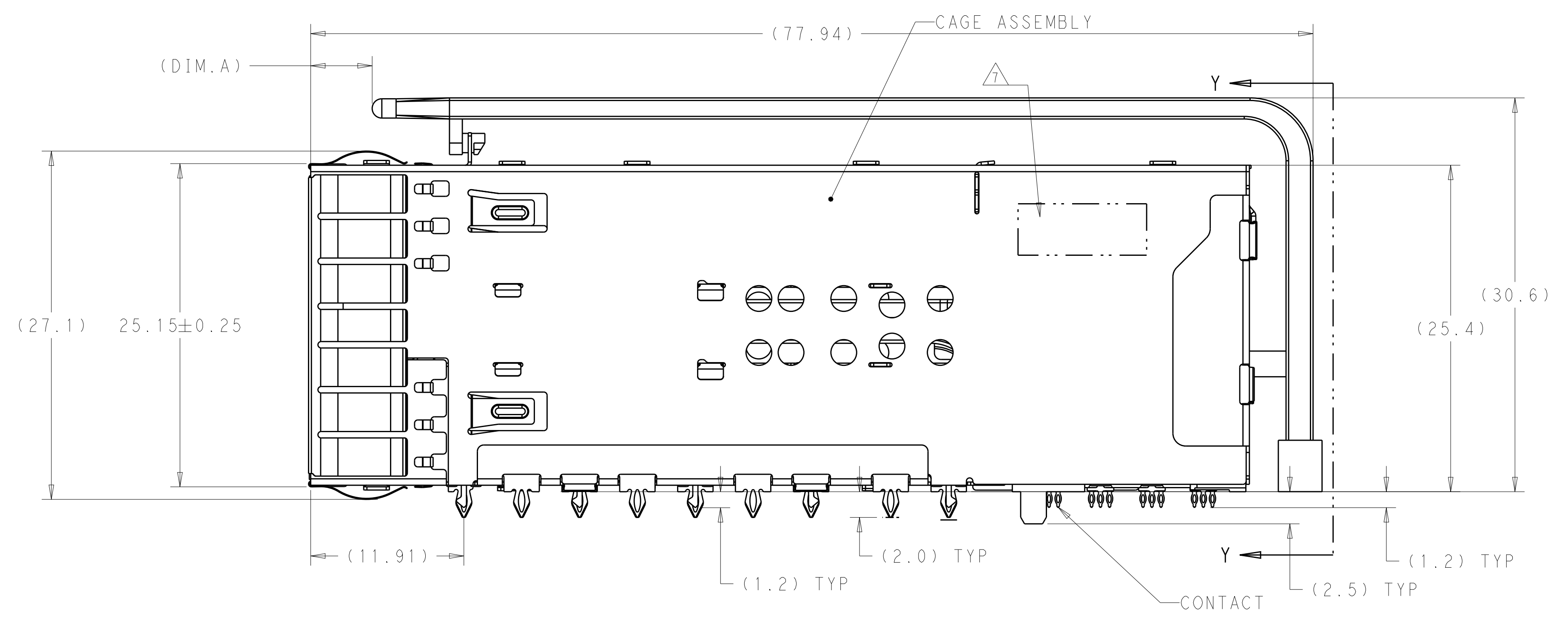
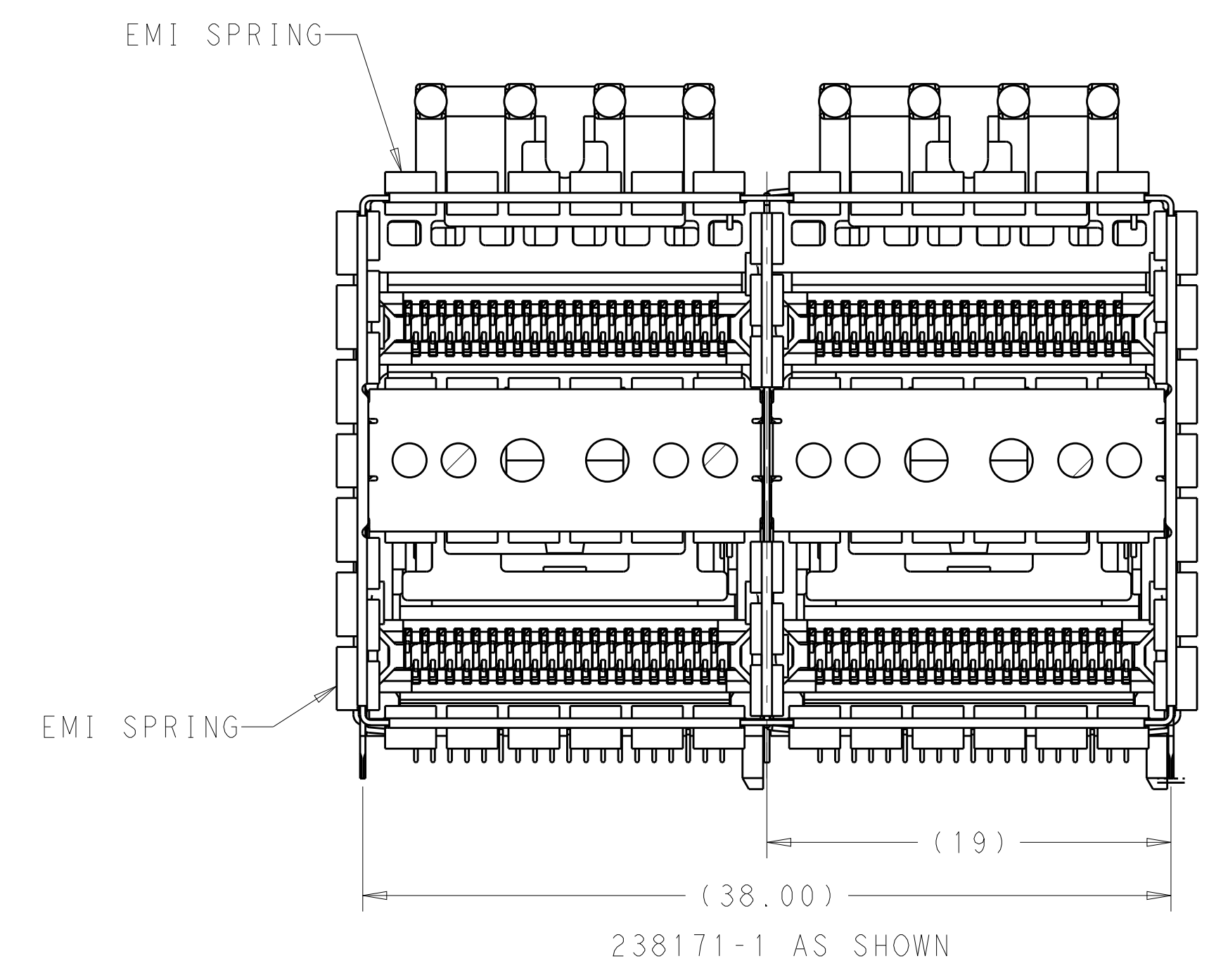
Tel: +86-755-8981 8866 Fax: +86-755-8427 6832

Email & Skype: info@chipsmall.com Web: www.chipsmall.com

Address: A1208, Overseas Decoration Building, #122 Zhenhua RD., Futian, Shenzhen, China



| LOC | DIST | REVISIONS   |                              |           |       |
|-----|------|-------------|------------------------------|-----------|-------|
| P   | LTN  | DESCRIPTION | DATE                         | DWN       | APVD  |
| GP  | 00   | A           | RELEASED FOR MASS PRODUCTION | 19JAN2018 | TX SH |

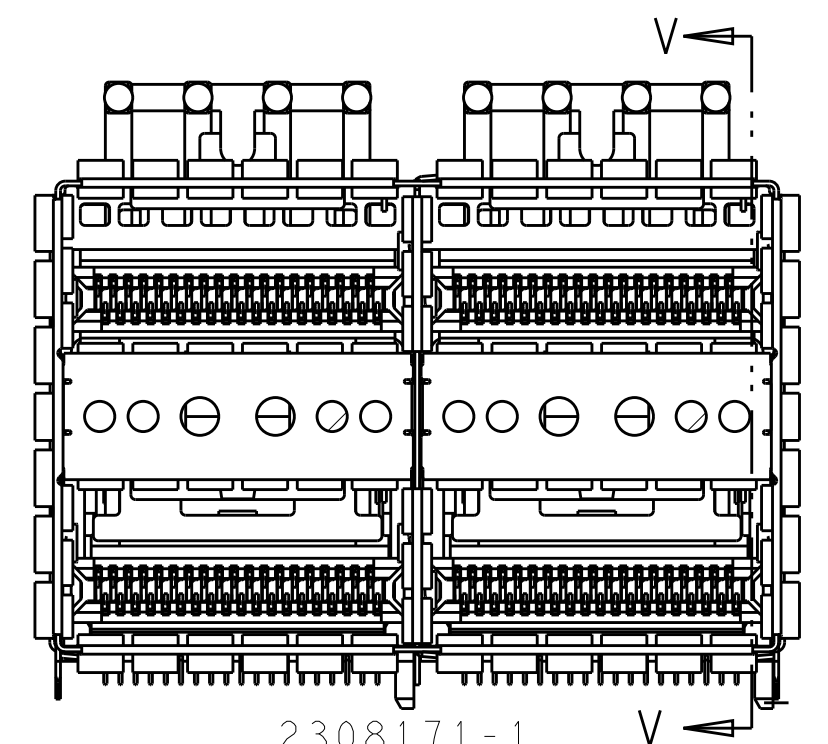


- MATERIALS:  
 CAGE ASSEMBLY- NICKEL SILVER ALLOY PER ASTM B 122.  
 EMI SPRING- COPPER ALLOY, NICKEL PLATED.  
 HOUSING- POLYESTER LCP WITH 94V-0.  
 CHICKLET- POLYESTER LCP WITH 94V-0.  
 CONTACT- COPPER ALLOY.  
 LIGHTPIPE- POLYCARBONATE WITH 94V-0.
- CONTACT FINISH: 0.76µm MIN GOLD ON MATING AREA, 0.7-1.5µm MATT TIN ON COMPLIANT AREA, ALL OVER 1.27µm MIN NICKEL.
- DATUM AND BASIC DIMENSION ESTABLISHED BY CUSTOMER.
- MINIMUM PCB THICKNESS OF 3.0 FOR BELLY TO BELLY APPLICATION.
- THE ENTIRE AREA OF THE CONNECTOR FOOTPRINT, INDICATED BY THE DASHED LINE, TO BE CONSIDERED THE KEEPOUT AREA FOR COMPONENTS AND TRACES.
- CROSS-HATCHED AREAS REPRESENT ZONES ON THE PCB THAT COME IN CONTACT WITH OR BE IN CLOSE PROXIMITY TO THE PLASTIC HOUSING OR THE CONNECTOR CAGE. INDICATED AREAS TO BE CONSIDERED TRACE FREE.
- PART NUMBER AND DATE CODE MADE IN APPROXIMATE AREA SHOWN.
- HATCHED AREA IS PLACEMENT ZONE FOR LED. LED SHOULD BE CENTERED WITHIN ZONE. RECOMMEND 0805 PACKAGE.

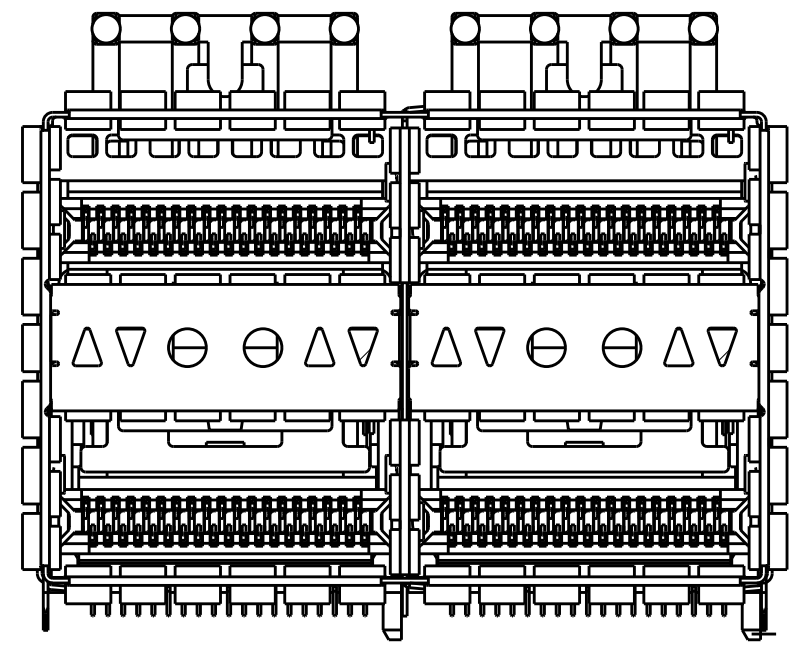
|   |  |                          |   |
|---|--|--------------------------|---|
| THIS DRAWING IS A CONTROLLED DOCUMENT.  |  | DWN: TIM XUE 17AUG2016   | TE Connectivity<br>NAME: zOSFP+ 2X2 4 INTERNAL LIGHT PIPES WITH EMI SPRING FINGERS, BELLY TO BELLY APPLICATION<br>PRODUCT SPEC: 108-60102<br>APPLICATION SPEC: 114-60015<br>SIZE: A1<br>CAGE CODE: 2308171<br>DRAWING NO: 100779<br>RESTRICTED TO: -<br>SCALE: 4:1 SHEET 1 OF 5 REV A |
| DIMENSIONS: mm  |  | CHK: SEAN HAN 17AUG2016  |   |
| TOLERANCES UNLESS OTHERWISE SPECIFIED:  |  | APVD: SEAN HAN 17AUG2016 |   |
| 0 PLC ±<br>1 PLC ±0.25<br>2 PLC ±0.15<br>3 PLC ±<br>4 PLC ±<br>ANGLES ±<br>FINISH ± |  | WEIGHT: -                |   |
| MATERIAL: SEE NOTE 1  |  | CUSTOMER DRAWING         |   |



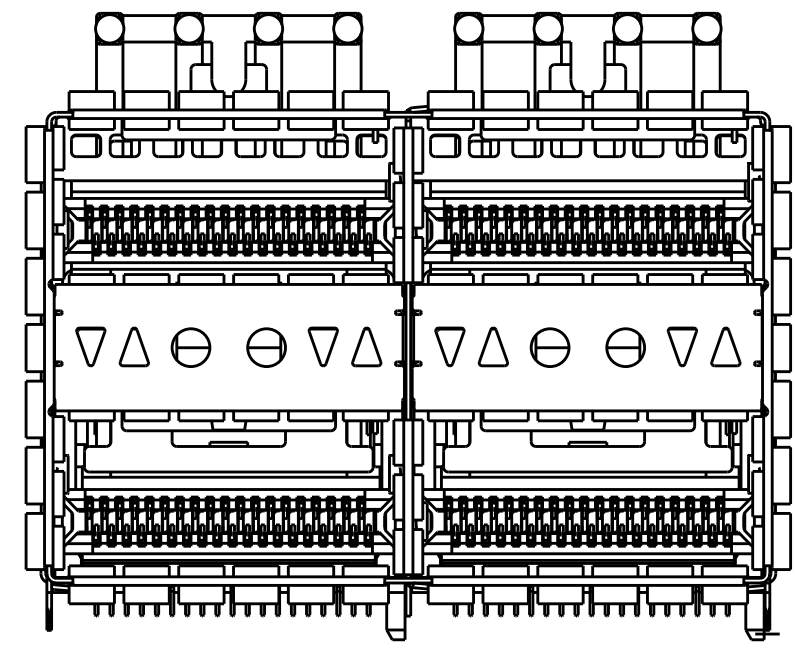
| LOC | DIST | REVISIONS |     |             |      |     |      |
|-----|------|-----------|-----|-------------|------|-----|------|
| GP  | 00   | P         | LYN | DESCRIPTION | DATE | DWN | APVD |
|     |      | -         |     | SEE SHEET 1 |      |     |      |



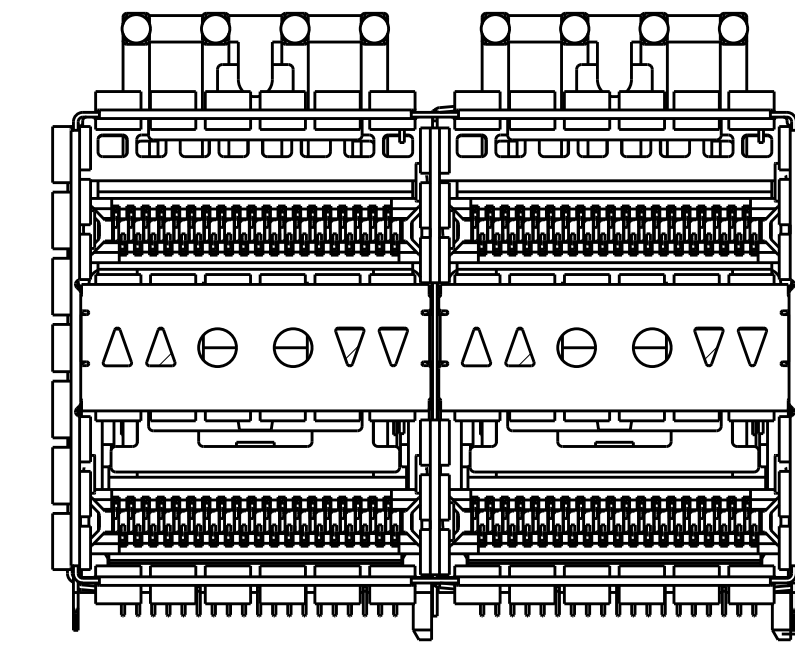
2308171-1  
 2308171-7  
 1-2308171-0  
 ALL ROUND INDICATOR, 4LP  
 SCALE 5:2



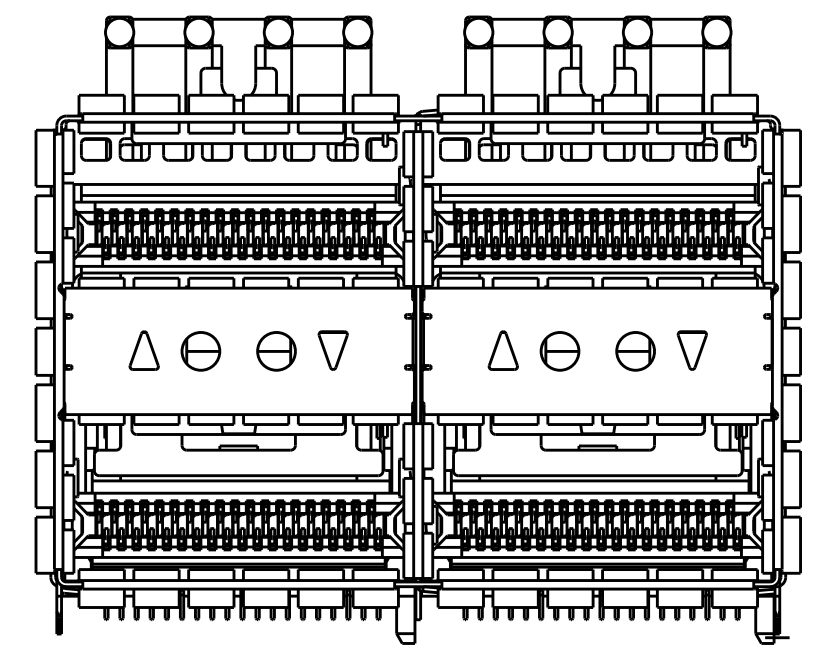
2308171-2  
 LEFT INDICATOR UP  
 SCALE 5:2



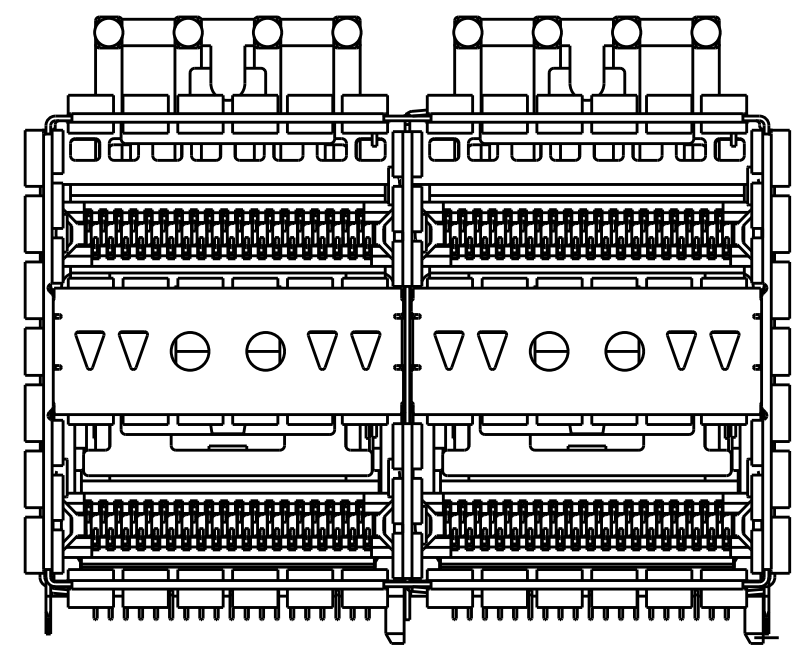
2308171-3  
 LEFT INDICATOR DOWN  
 SCALE 5:2



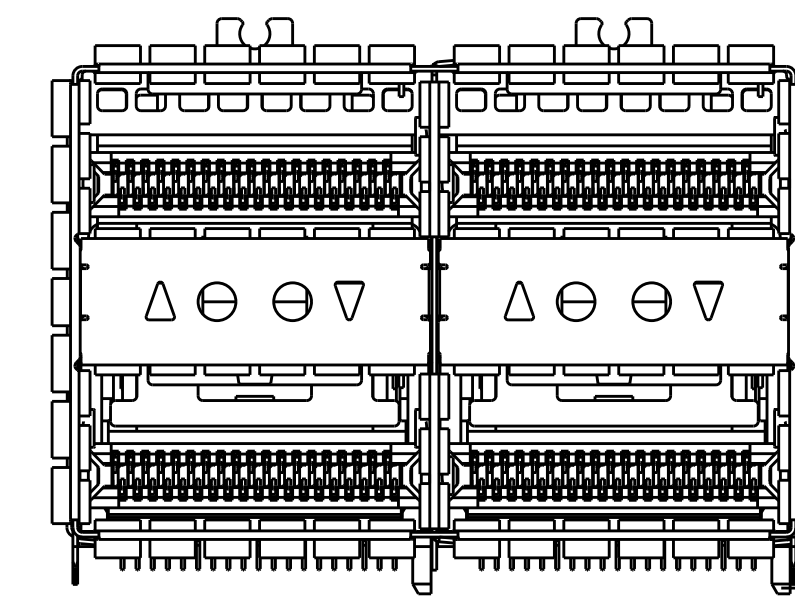
2308171-4  
 LEFT INDICATOR UP  
 SCALE 5:2



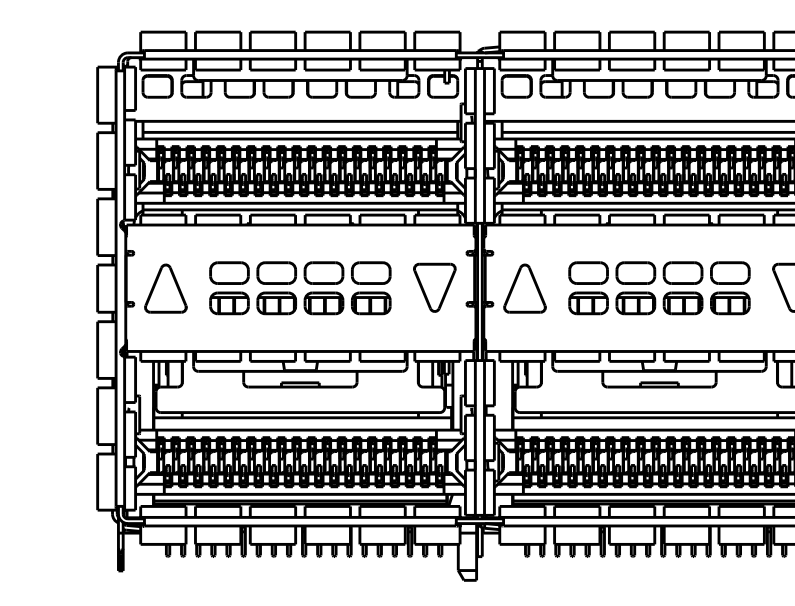
2308171-5  
 LEFT INDICATORS UP(2 LIGHT PIPES)  
 SCALE 5:2



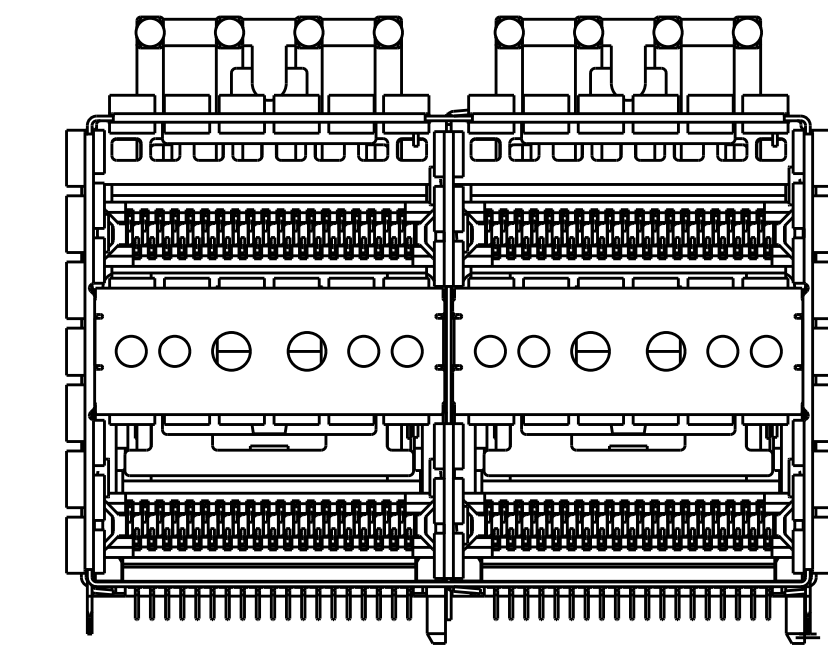
2308171-6  
 ALL INDICATORS DOWN  
 SCALE 5:2



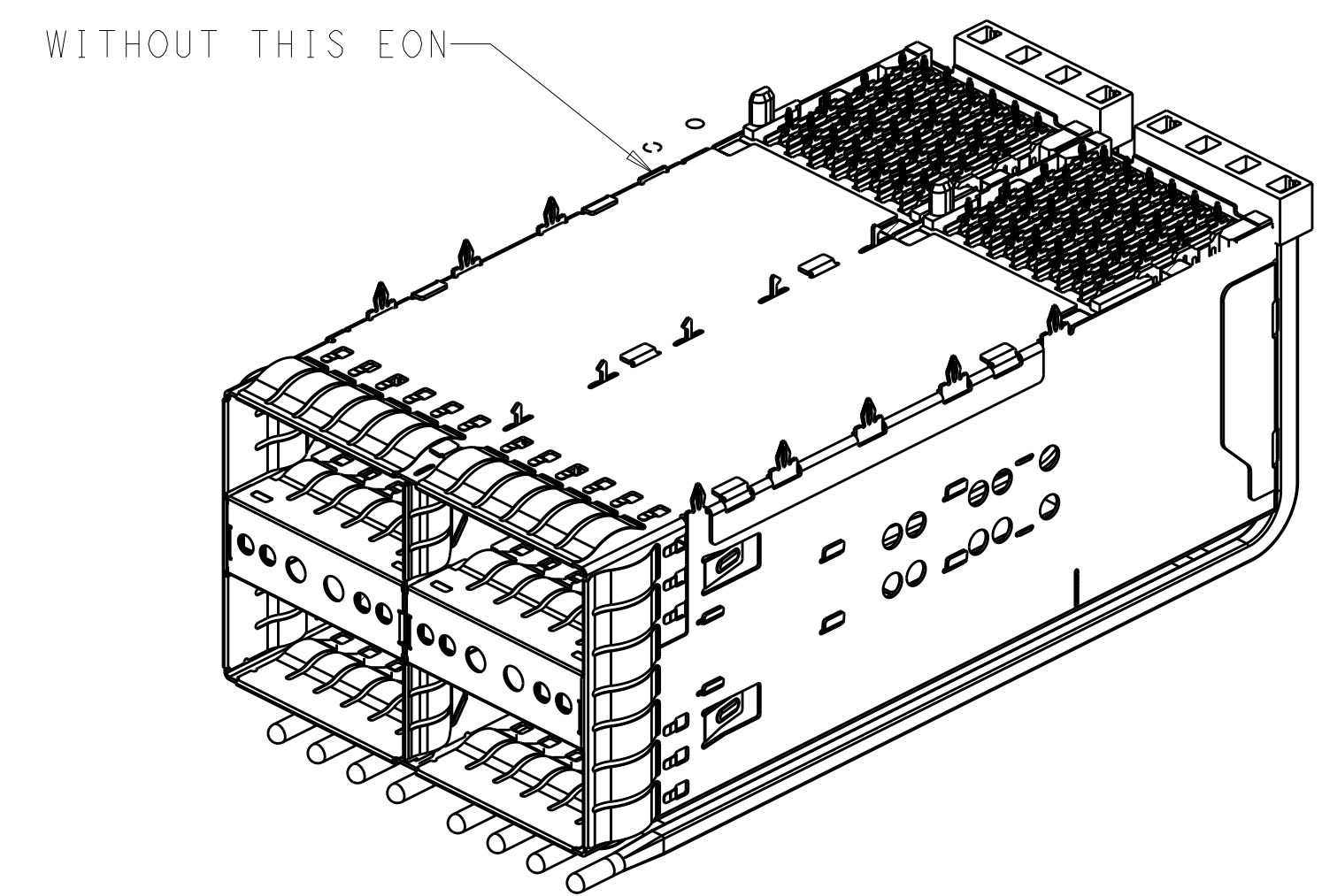
2308171-8  
 W/O TOP LIGHT PIPE  
 SCALE 5:2



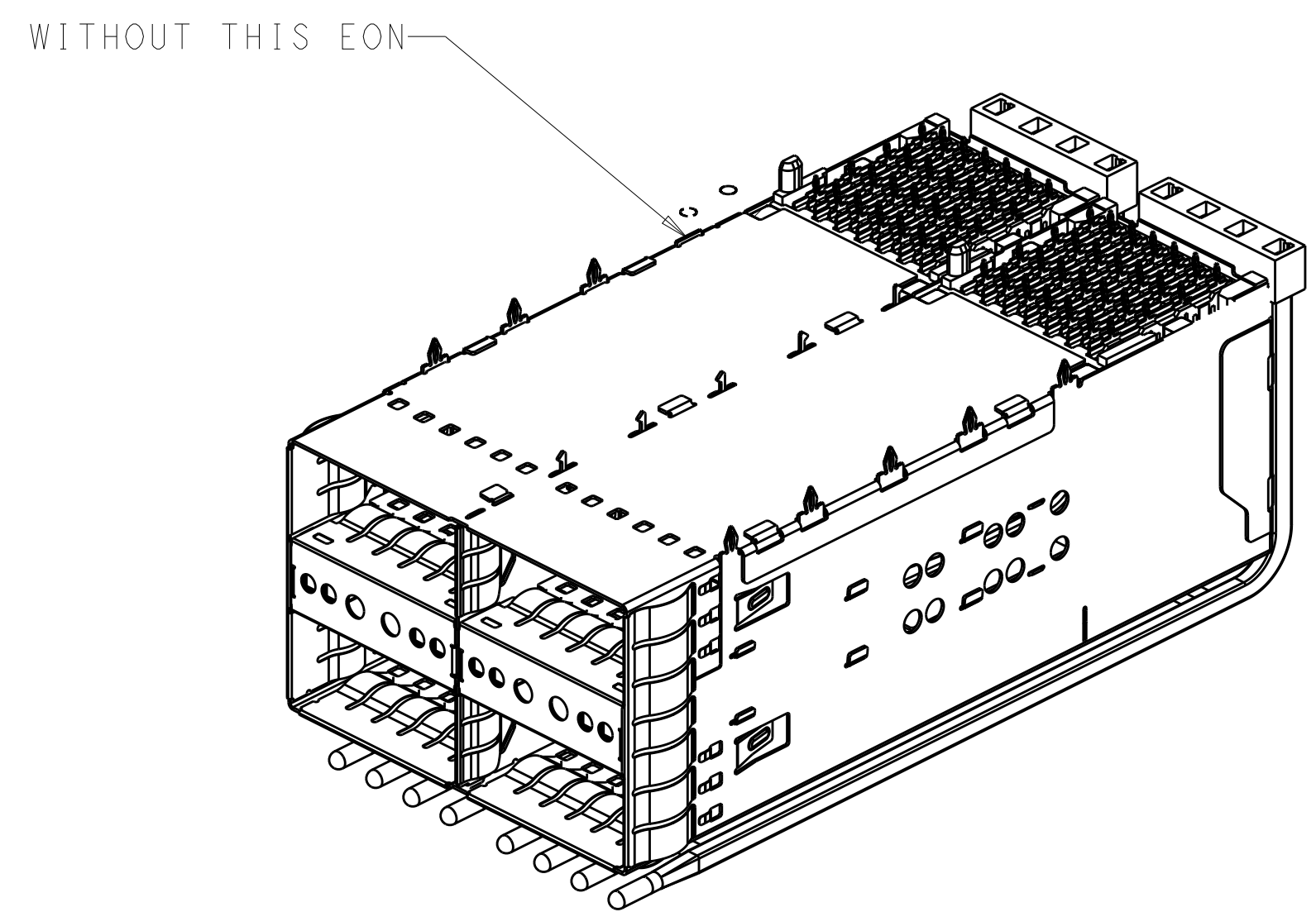
2308171-9  
 W/O TOP LIGHT PIPE  
 SCALE 5:2



1-2308171-1  
 ALL ROUND INDICATOR, 4LP  
 WITHOUT BOTTOM EMI SPRINGS  
 SCALE 5:2



1-2308171-0  
 BOTTOM VIEW  
 SCALE 2:1



1-2308171-1  
 BOTTOM VIEW  
 SCALE 2:1

| REMARK                     | DIM.A | CONTACT FINISH | DESCRIPTION              | PART NUMBER |
|----------------------------|-------|----------------|--------------------------|-------------|
| W/ ORGANIZER, UNCOATED LP  | 1.6   | 2              | ALL ROUND INDICATOR, 4LP | 1-2308171-1 |
| W/ ORGANIZER, UNCOATED LP  | 1.6   | 2              | ALL ROUND INDICATOR, 4LP | 1-2308171-0 |
| W/O ORGANIZER, W/O TOP LP  | N/A   | 2              | LEFT INDICATOR UP, 2LP   | 2308171-9   |
| W/O ORGANIZER, W/O TOP LP  | N/A   | 2              | LEFT INDICATOR UP, 2LP   | 2308171-8   |
| W/O ORGANIZER, UNCOATED LP | 1.6   | 2              | ALL ROUND INDICATOR, 4LP | 2308171-7   |
| W/ ORGANIZER, UNCOATED LP  | 1.6   | 2              | ALL INDICATOR DOWN, 4LP  | 2308171-6   |
| W/O ORGANIZER, UNCOATED LP | 4.8   | 2              | LEFT INDICATOR UP, 2LP   | 2308171-5   |
| W/O ORGANIZER, UNCOATED LP | 4.8   | 2              | LEFT INDICATOR UP, 4LP   | 2308171-4   |
| W/O ORGANIZER, UNCOATED LP | 4.8   | 2              | LEFT INDICATOR DOWN, 4LP | 2308171-3   |
| W/O ORGANIZER, UNCOATED LP | 4.8   | 2              | LEFT INDICATOR UP, 4LP   | 2308171-2   |
| W/ ORGANIZER, UNCOATED LP  | 4.8   | 2              | ALL ROUND INDICATOR, 4LP | 2308171-1   |

THIS DRAWING IS A CONTROLLED DOCUMENT.

DIMENSIONS: mm

TOLERANCES UNLESS OTHERWISE SPECIFIED:

|        |       |
|--------|-------|
| 0 PLC  | ±     |
| 1 PLC  | ±0.25 |
| 2 PLC  | ±0.15 |
| 3 PLC  | ±     |
| 4 PLC  | ±     |
| ANGLES | ±     |

MATERIAL: SEE NOTE 1

FINISH: SEE NOTE 2

OWN: TIM XUE 17AUG2016

CHK: SEAN HAN 17AUG2016

APVD: SEAN HAN 17AUG2016

NAME: zOSFP+ 2X2 4 INTERNAL LIGHT PIPES WITH EMI SPRING FINGERS, BELLY TO BELLY APPLICATION

PRODUCT SPEC: 108-60102

APPLICATION SPEC: 114-60015

WEIGHT: -

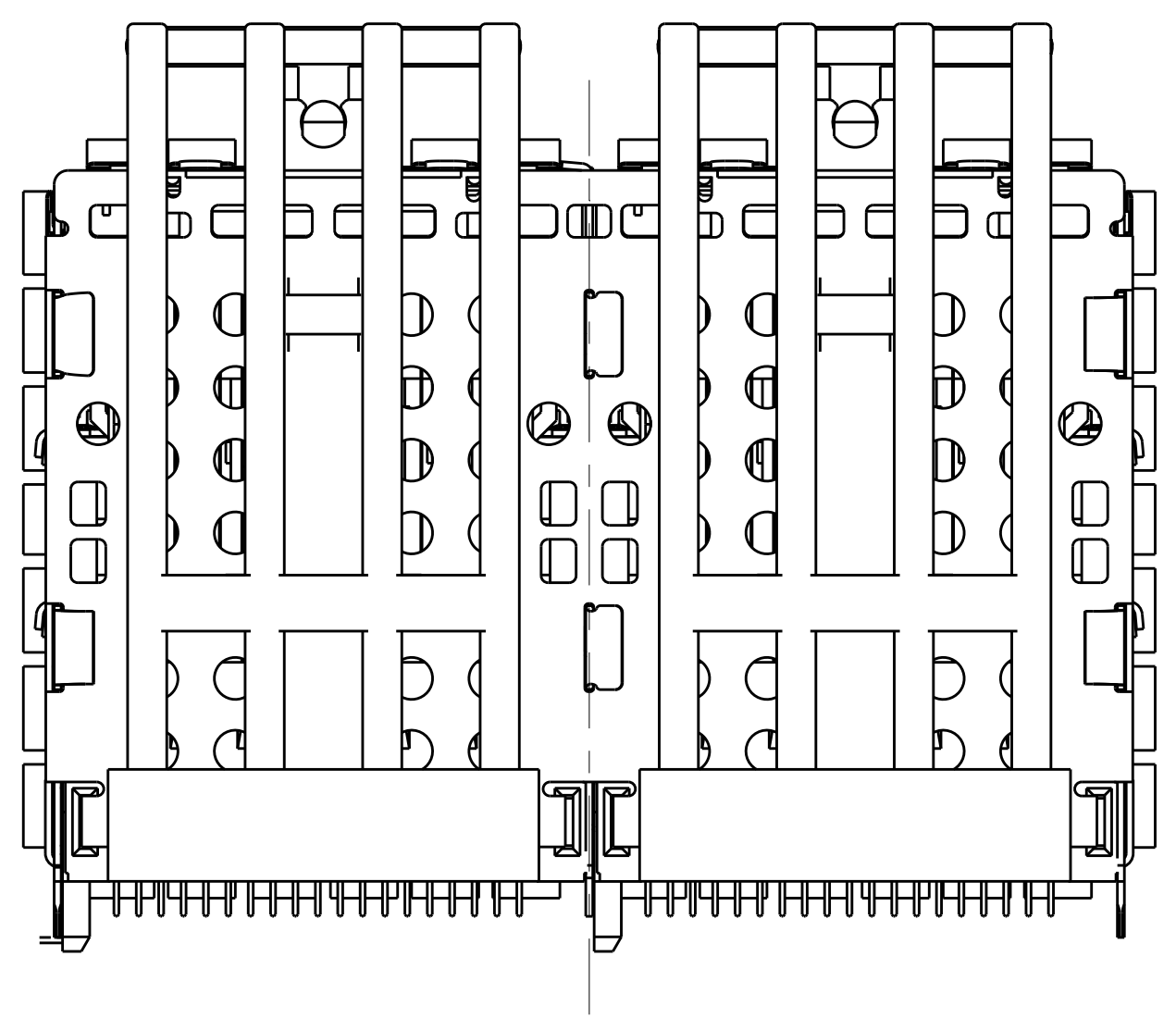
CUSTOMER DRAWING

SCALE: 4:1

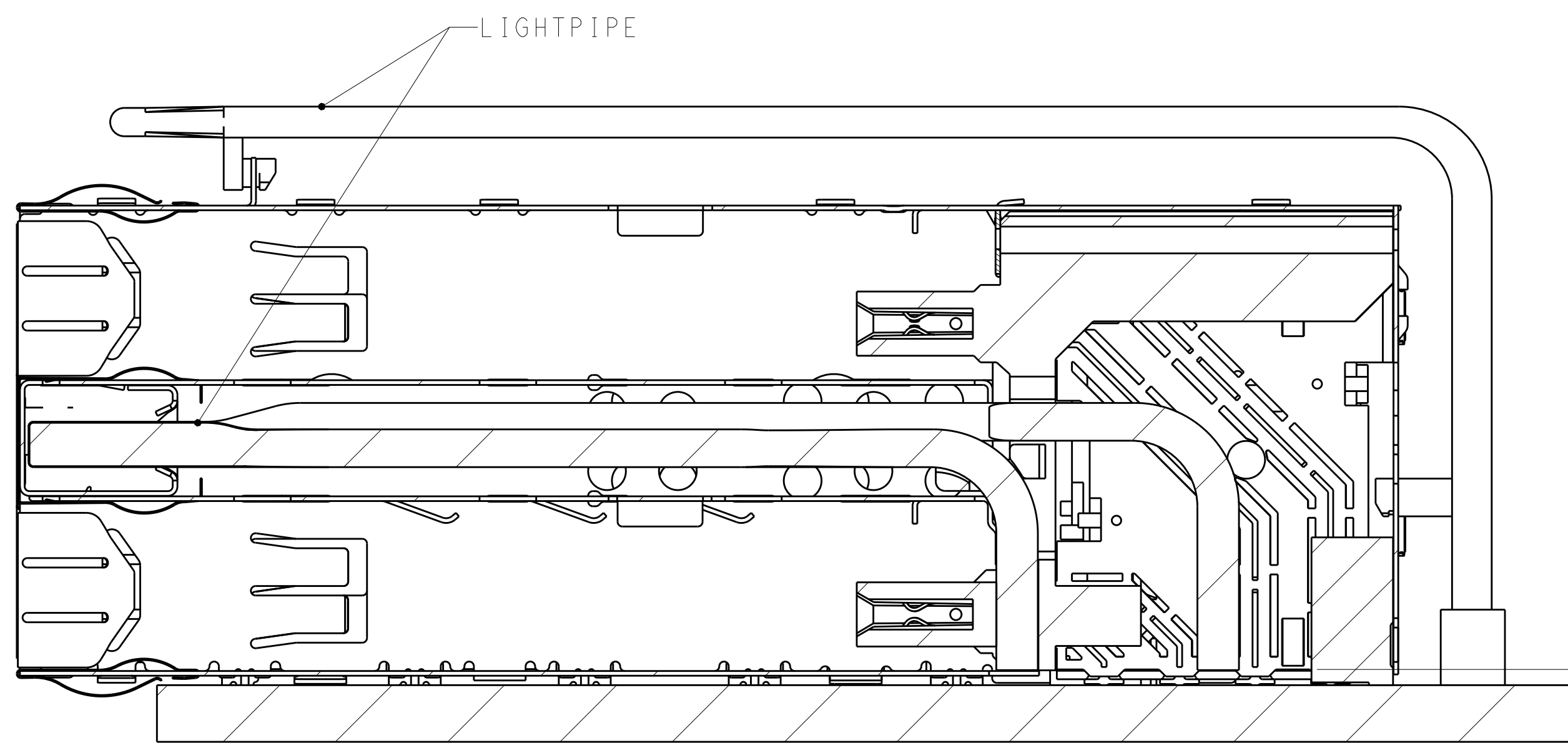
SHEET: 2 OF 5

REV: A

| LOC | DIST | REVISIONS |     |             |      |     |      |
|-----|------|-----------|-----|-------------|------|-----|------|
| GP  | 00   | P         | LYR | DESCRIPTION | DATE | DWN | APVD |
|     |      | -         |     | SEE SHEET 1 |      |     |      |

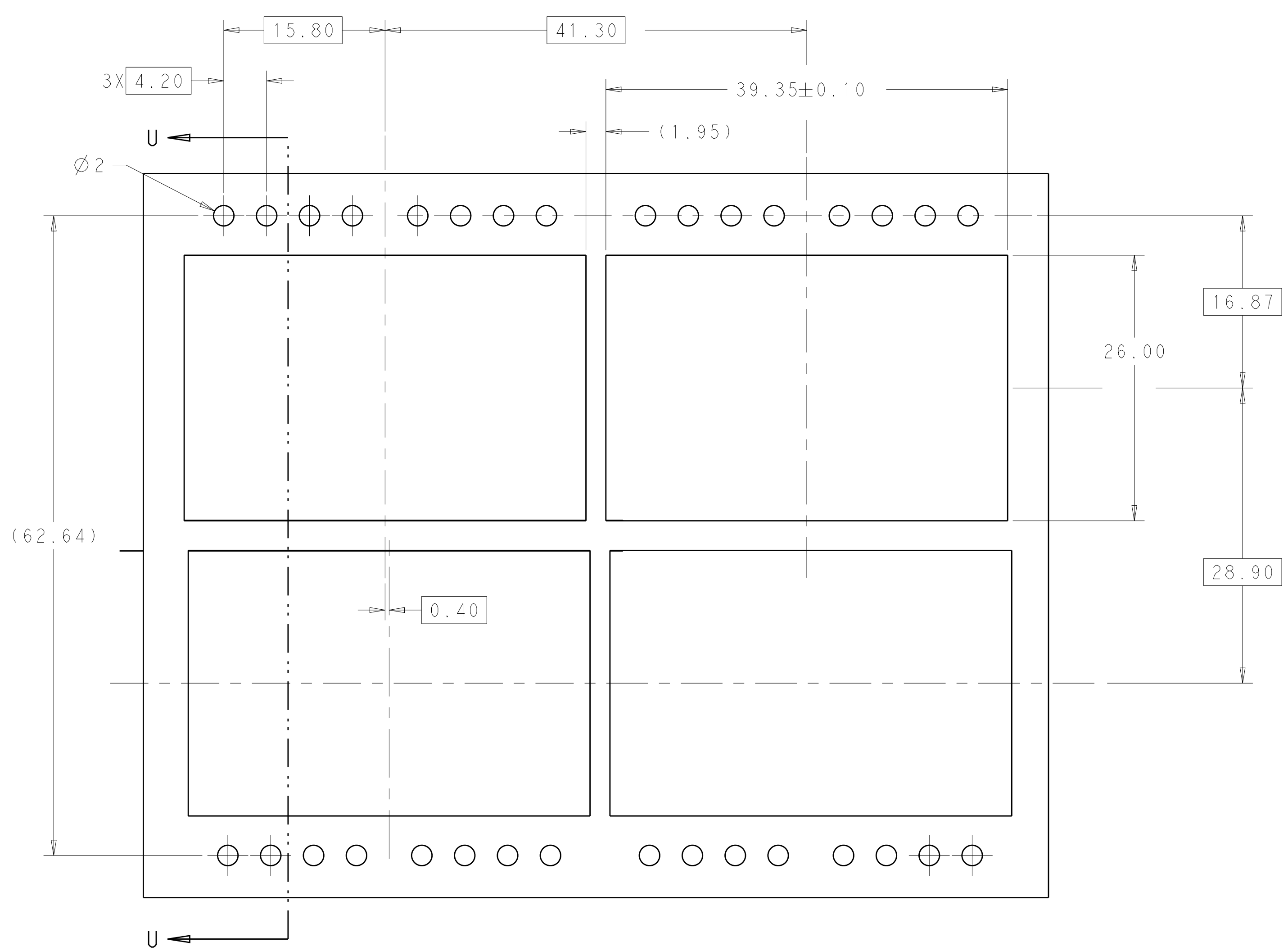


VIEW Y-Y

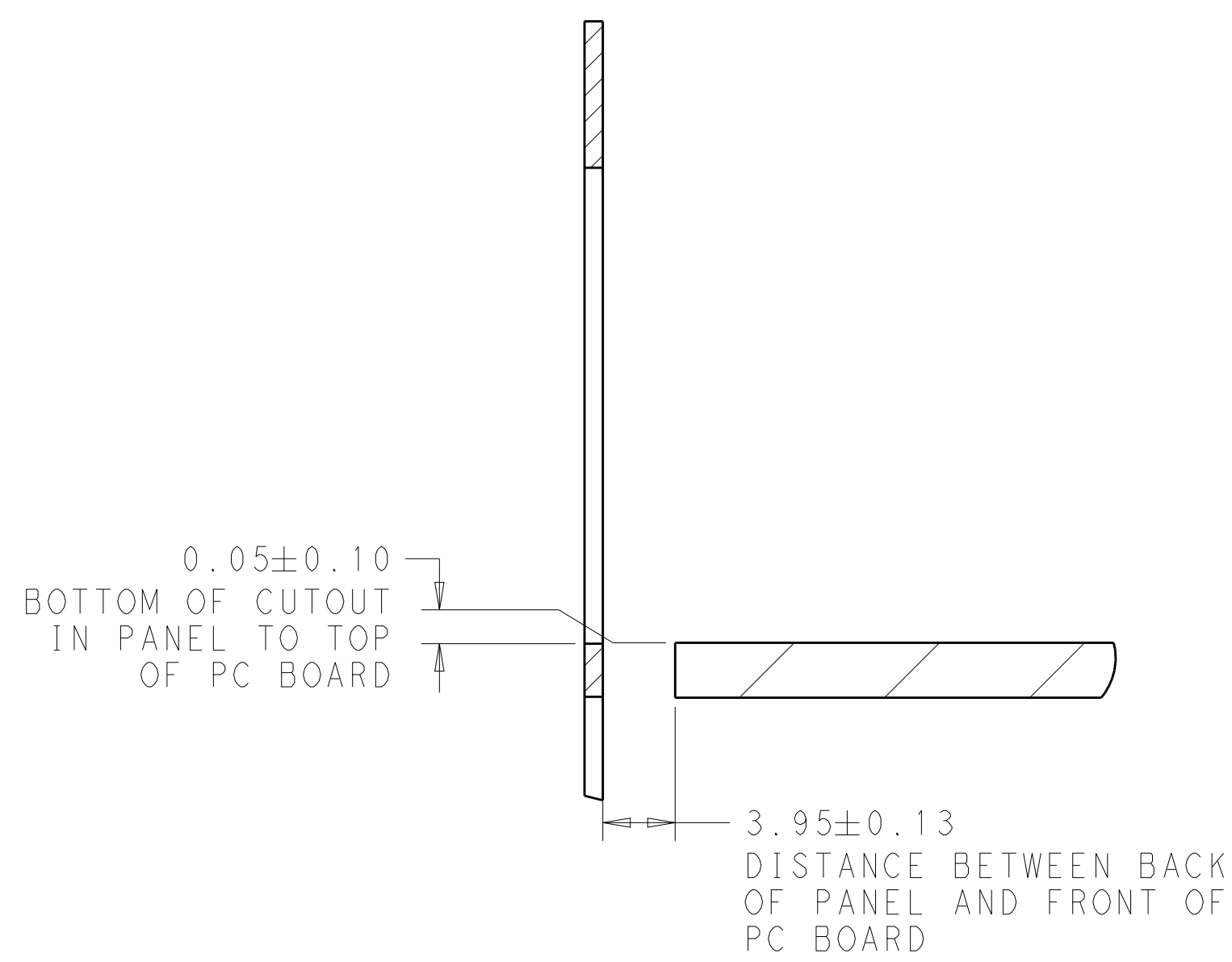


SECTION V-V  
SCALE 4:1

(0.80)  
RECOMMENDED 0805  
PACKAGE SMD CHIP  
LED LAMPS



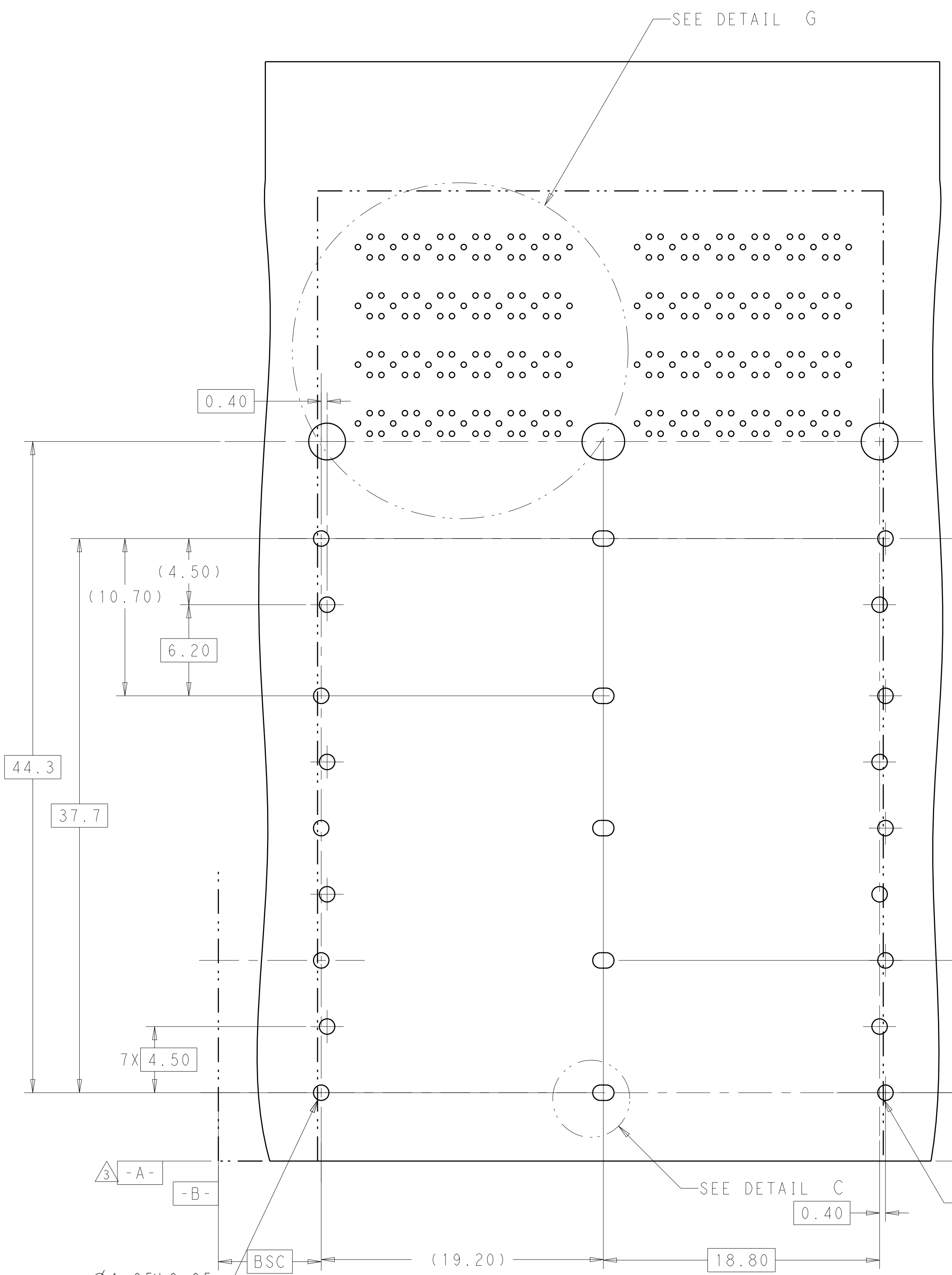
RECOMMENDED PANEL CUTOUT  
AND PC BOARD, PANEL POSITION  
SCALE 3:1



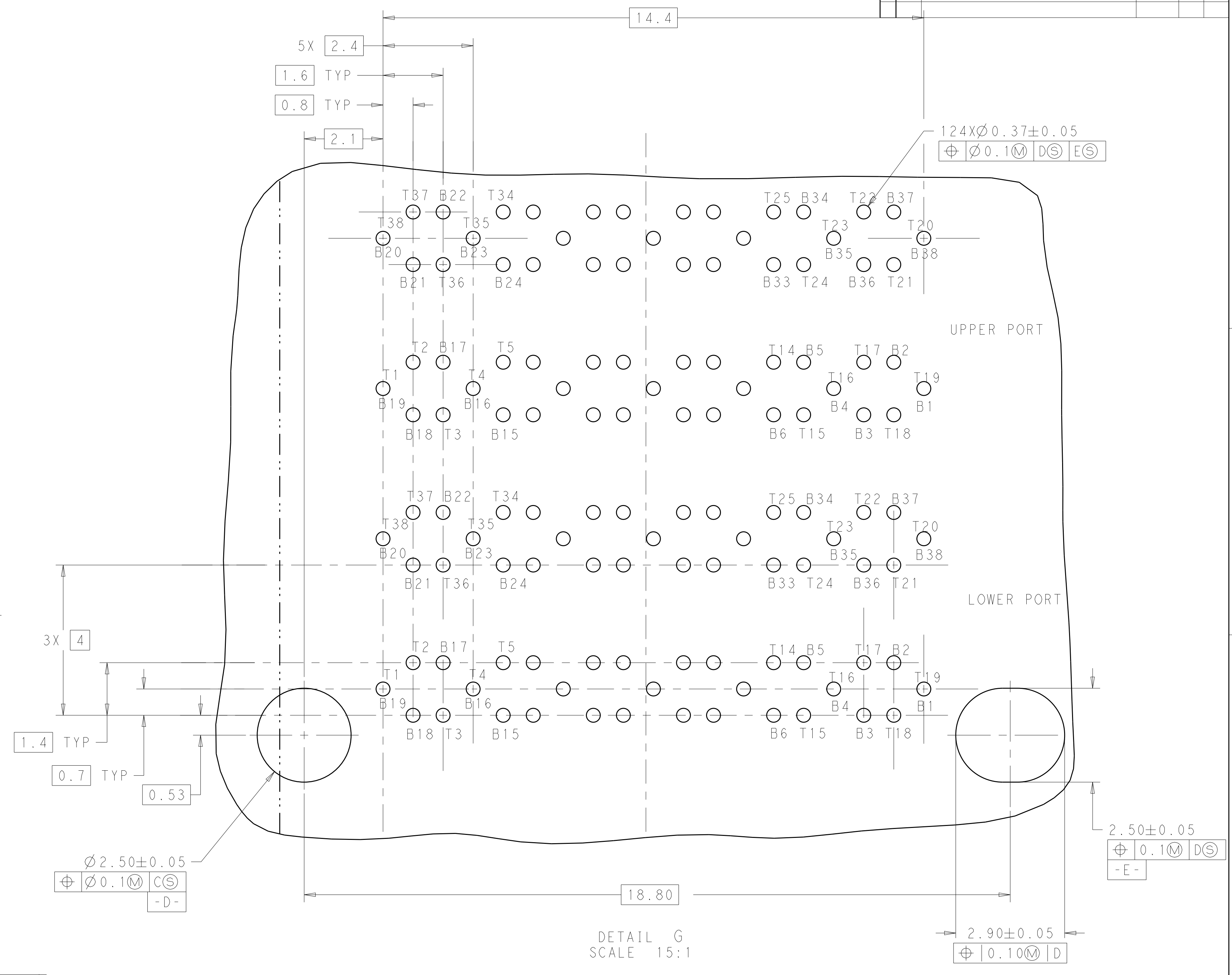
SECTION U-U

|   |  |  |          |            |  |
|---|--|--|----------|------------|--|
| THIS DRAWING IS A CONTROLLED DOCUMENT.  |  | DWN  | TIM XUE  | 17AUG2016  | TE Connectivity<br>NAME zOSFP+ 2X2.4 INTERNAL LIGHT PIPES<br>WITH EMI SPRING FINGERS,<br>BELLY TO BELLY APPLICATION<br>SIZE CAGE CODE DRAWING NO RESTRICTED TO<br>A100779C=2308171 |
| DIMENSIONS:   |  | CHK  | SEAN HAN | 17AUG2016  |  |
| mm  |  | APVD   | SEAN HAN | 17AUG2016  |  |
| 0 PLC ±<br>1 PLC ±0.25<br>2 PLC ±0.15<br>3 PLC ±<br>4 PLC ±<br>ANGLES ±<br>FINISH ± |  | PRODUCT SPEC<br>108-60102<br>APPLICATION SPEC<br>114-60015 |          | WEIGHT     |  |
| MATERIAL  |  | SEE NOTE 1   |          | SEE NOTE 2 | CUSTOMER DRAWING   |

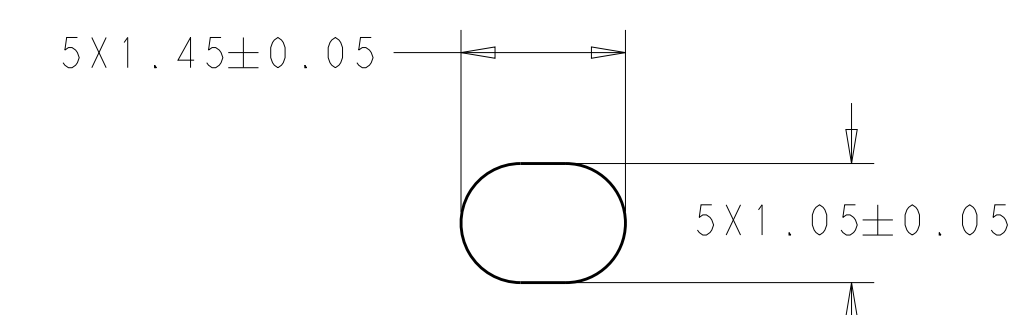
| LOC |    | DIST |     | REVISIONS   |      |     |      |
|-----|----|------|-----|-------------|------|-----|------|
| GP  | 00 | P    | LTN | DESCRIPTION | DATE | DMN | APVD |
|     |    |      |     | SEE SHEET 1 |      |     |      |



RECOMMENDED PC BOARD LAYOUT  
 COMPONENT SIDE OF BOARD  
 (PCB TOLERANCE ±0.05)  
 SCALE 5:1



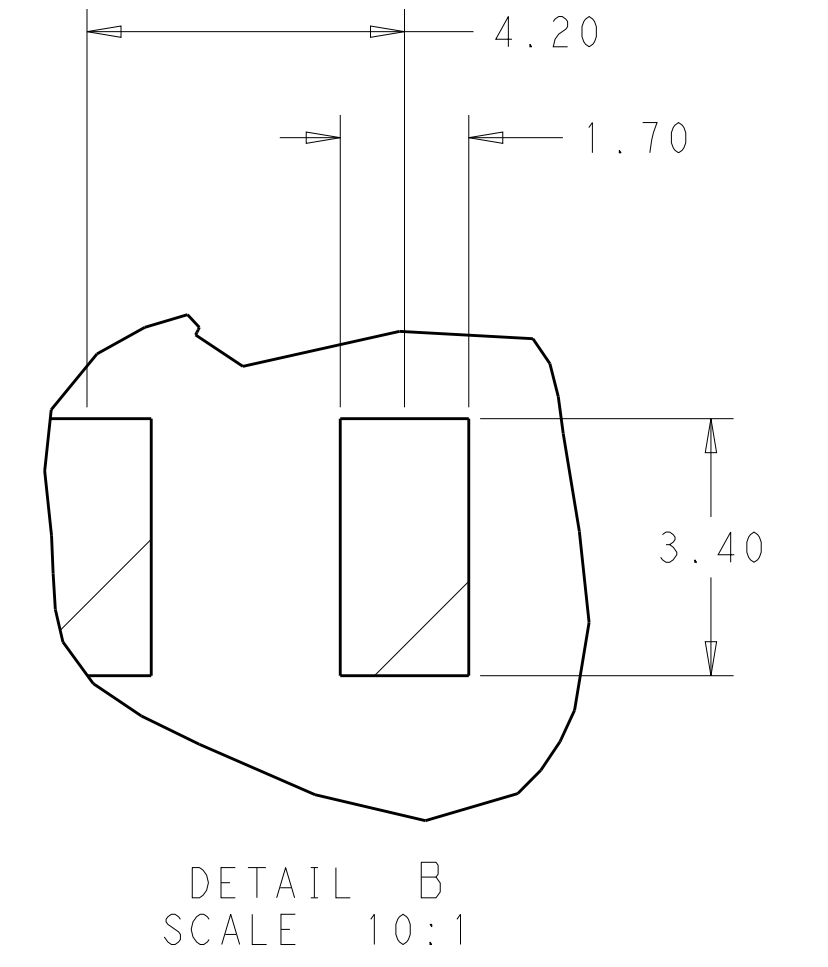
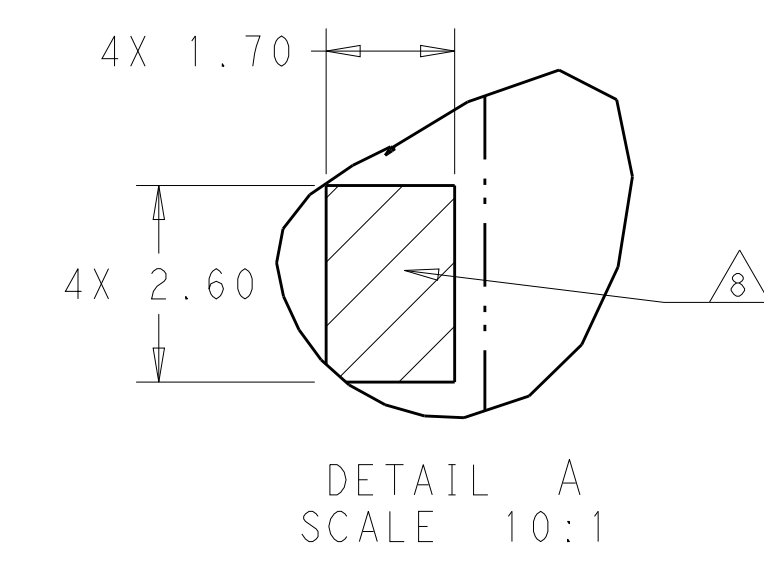
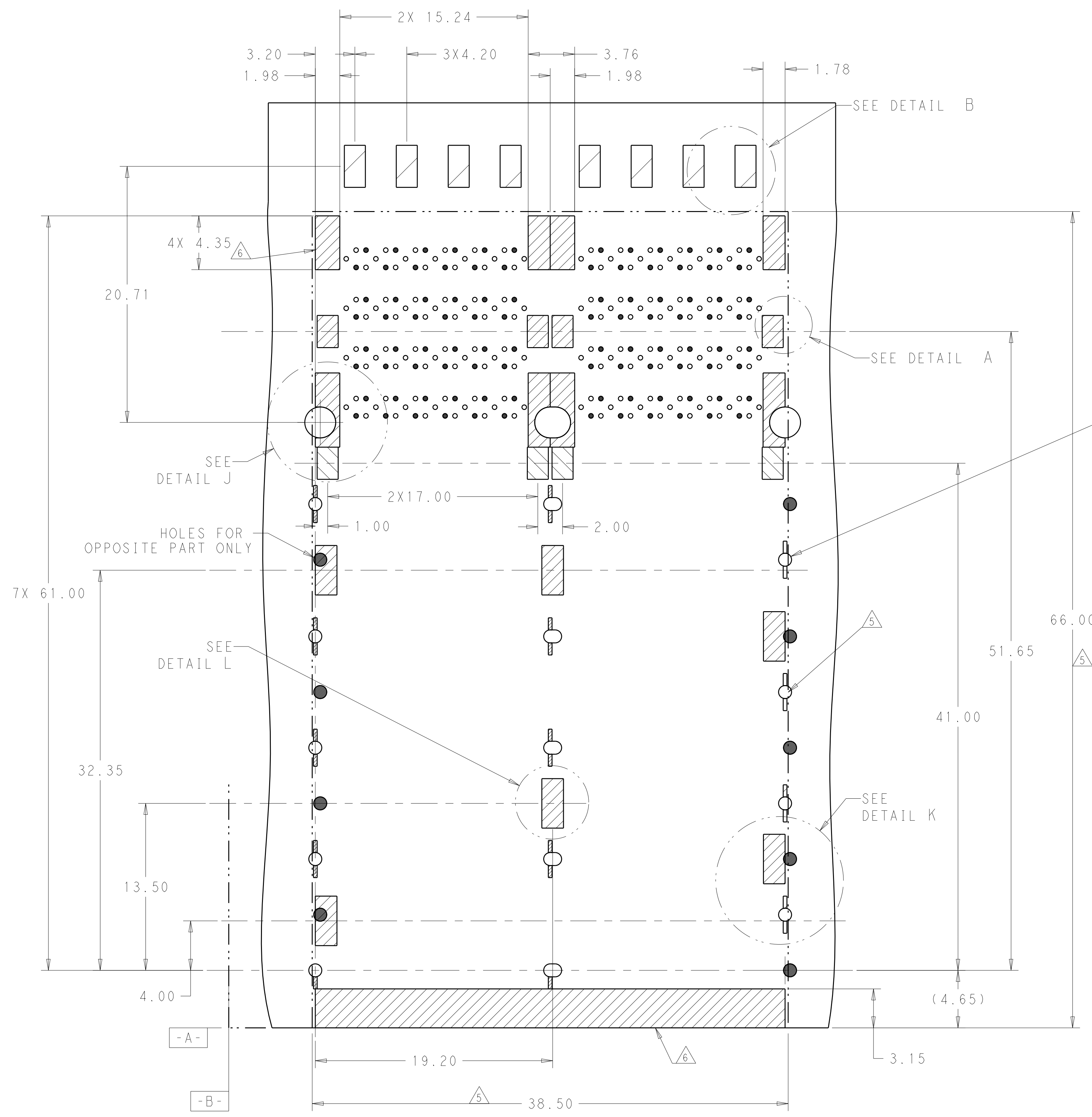
DETAIL G  
 SCALE 15:1



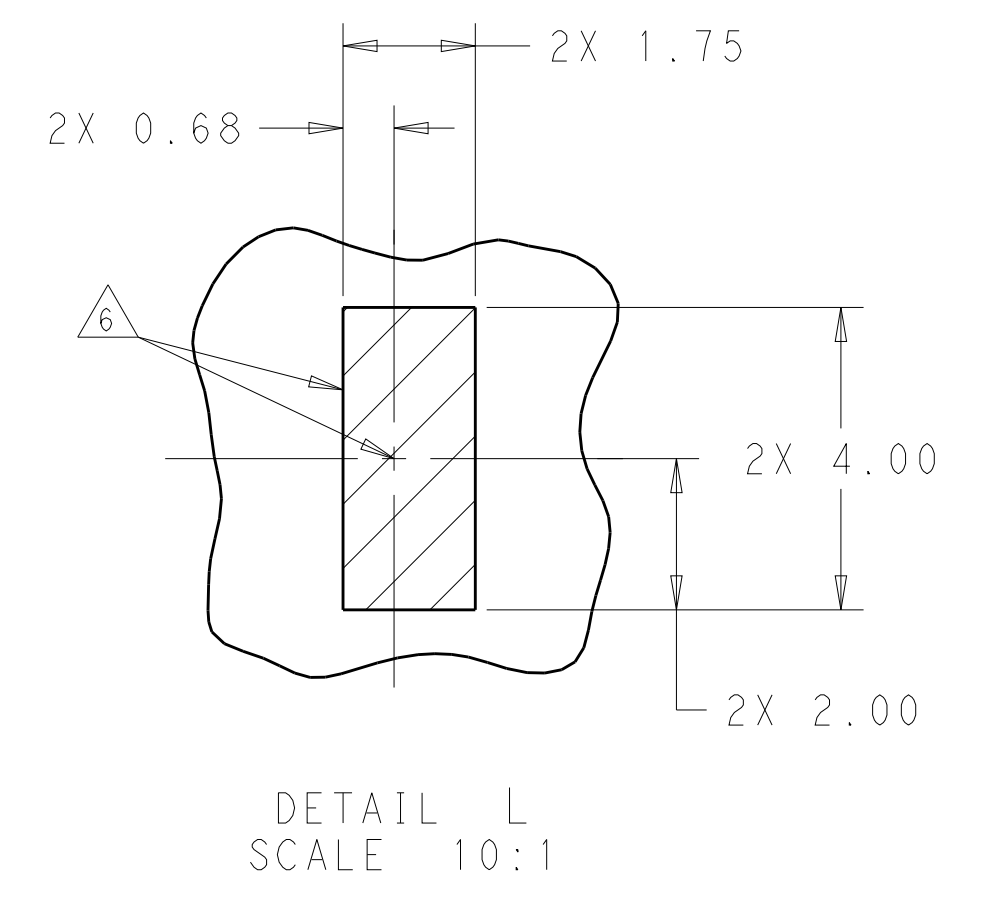
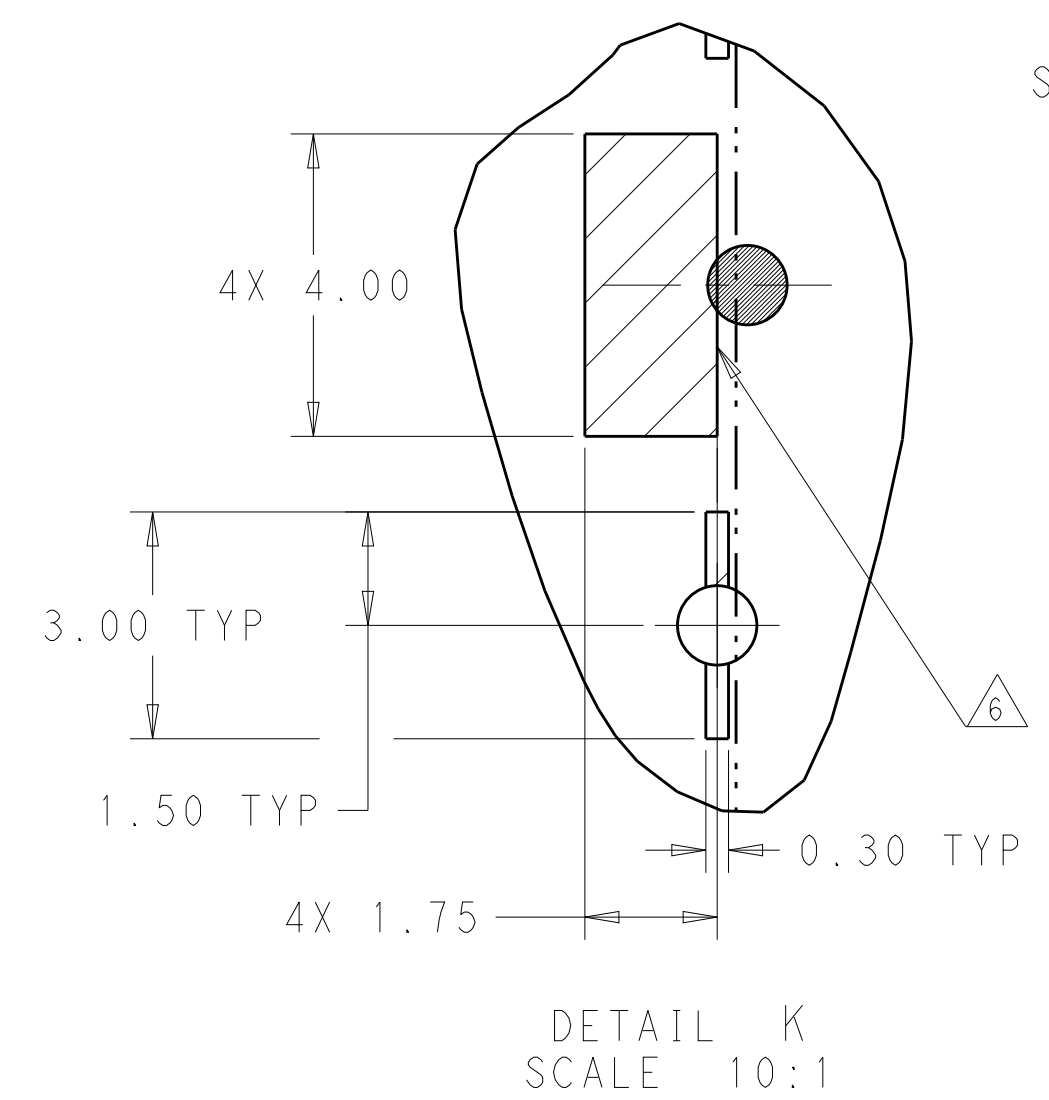
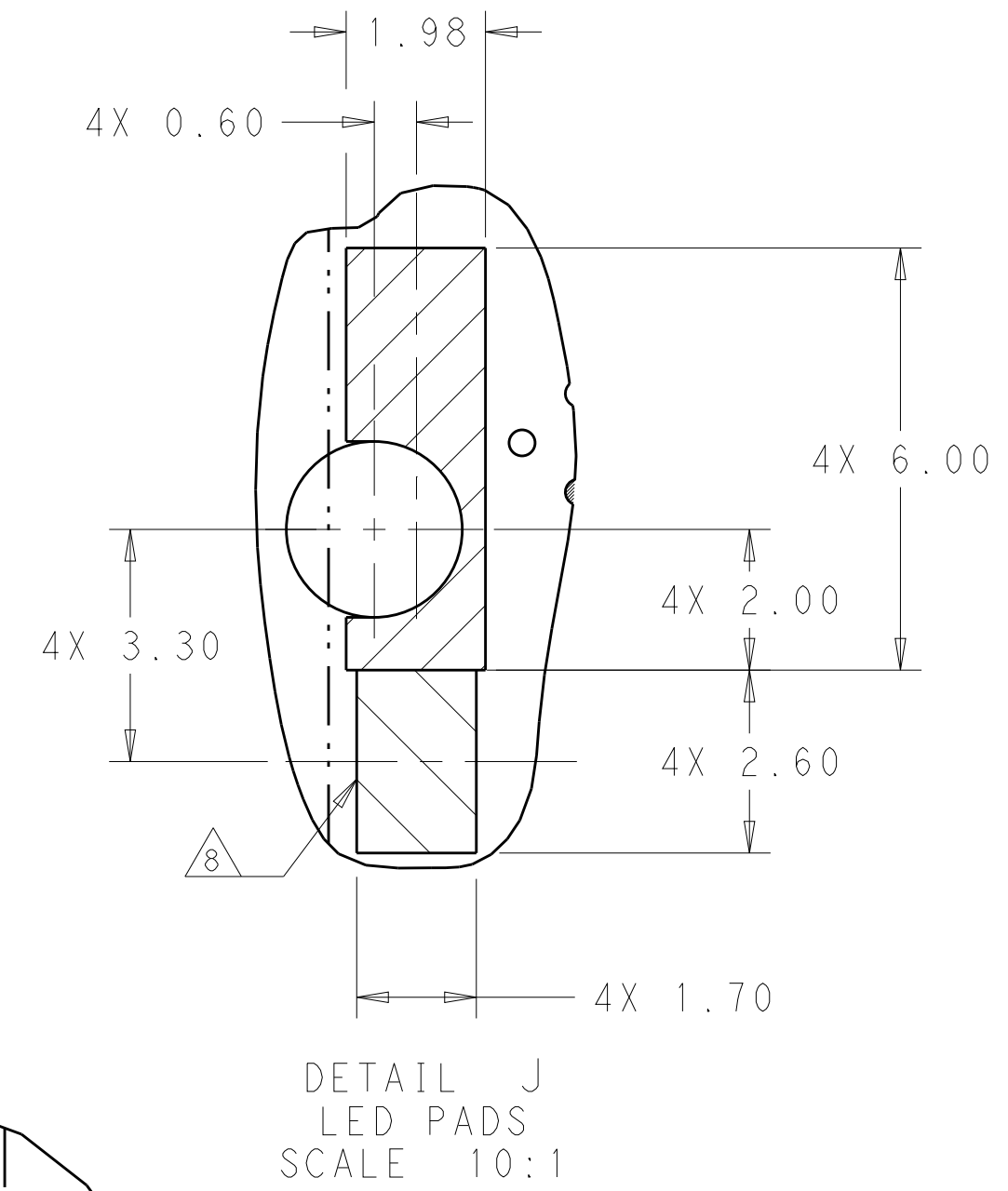
DETAIL C  
 SCALE 15:1

|  |             |                  |          |           |   |
|--|-------------|------------------|----------|-----------|---|
| THIS DRAWING IS A CONTROLLED DOCUMENT. |             | DMN              | TIM XUE  | 17AUG2016 | <b>STE</b> TE Connectivity  |
| DIMENSIONS:                            |             | CHK              | SEAN HAN | 17AUG2016 |   |
| mm                                     | 0 PLC ±0.25 | APVD             | SEAN HAN | 17AUG2016 | NAME<br>zOSFP+ 2X2.4 INTERNAL LIGHT PIPES<br>WITH EMI SPRING FINGERS,<br>BELLY TO BELLY APPLICATION |
|  | 1 PLC ±0.15 | PRODUCT SPEC     |          |           |   |
|  | 2 PLC ±0.15 | APPLICATION SPEC |          |           | SIZE CAGE CODE DRAWING NO   |
|  | 3 PLC ±0.15 | FINISH           |          |           | A100779C=2308171  |
| MATERIAL                               | FINISH      | WEIGHT           |          |           | RESTRICTED TO   |
| SEE NOTE 1                             | SEE NOTE 2  | CUSTOMER DRAWING |          |           | SCALE 1:1 SHEET 4 OF 5 REV A  |

| LOC | DIST | REVISIONS |             |    |      |
|-----|------|-----------|-------------|----|------|
| GP  | 00   | REV       | DATE        | BY | APPD |
|     |      | -         | SEE SHEET 1 | -  | -    |



OPTIONAL TO REMOVE THIS HOLE FOR 1-2308171-0 AND 1-2308171-1



KEEPOUT AREAS  
 TOP COMPONENT SIDE OF BOARD  
 (PCB TOLERANCE ±0.05)  
 SCALE 5:1

|  |                    |                             |   |
|--|--------------------|-----------------------------|---|
| THIS DRAWING IS A CONTROLLED DOCUMENT. |                    | OWN: TIM XUE 17AUG2016      | TE Connectivity   |
| DIMENSIONS: mm                         |                    | CHK: SEAN HAN 17AUG2016     |   |
| TOLERANCES UNLESS OTHERWISE SPECIFIED: |                    | APPD: SEAN HAN 17AUG2016    | NAME: zQSFP+ 2X2.4 INTERNAL LIGHT PIPES WITH EMI SPRING FINGERS, BELLY TO BELLY APPLICATION |
| 0 PLC ±0.25                            | 1 PLC ±0.15        | PRODUCT SPEC: 108-60102     | SIZE: 114-60015   |
| 2 PLC ±0.15                            | 3 PLC ±0.15        | APPLICATION SPEC: 114-60015 | WEIGHT: -   |
| 4 PLC ±0.15                            | ANGLES ±0.15       | FINISH: -                   | CAGE CODE: A100779  |
| MATERIAL: SEE NOTE 1                   | FINISH: SEE NOTE 2 | CUSTOMER DRAWING            | SCALE: 1:1 SHEET 5 OF 5 REV A   |