



Chipsmall Limited consists of a professional team with an average of over 10 year of expertise in the distribution of electronic components. Based in Hongkong, we have already established firm and mutual-benefit business relationships with customers from,Europe,America and south Asia,supplying obsolete and hard-to-find components to meet their specific needs.

With the principle of “Quality Parts,Customers Priority,Honest Operation,and Considerate Service”,our business mainly focus on the distribution of electronic components. Line cards we deal with include Microchip,ALPS,ROHM,Xilinx,Pulse,ON,Everlight and Freescale. Main products comprise IC,Modules,Potentiometer,IC Socket,Relay,Connector.Our parts cover such applications as commercial,industrial, and automotives areas.

We are looking forward to setting up business relationship with you and hope to provide you with the best service and solution. Let us make a better world for our industry!



Contact us

Tel: +86-755-8981 8866 Fax: +86-755-8427 6832

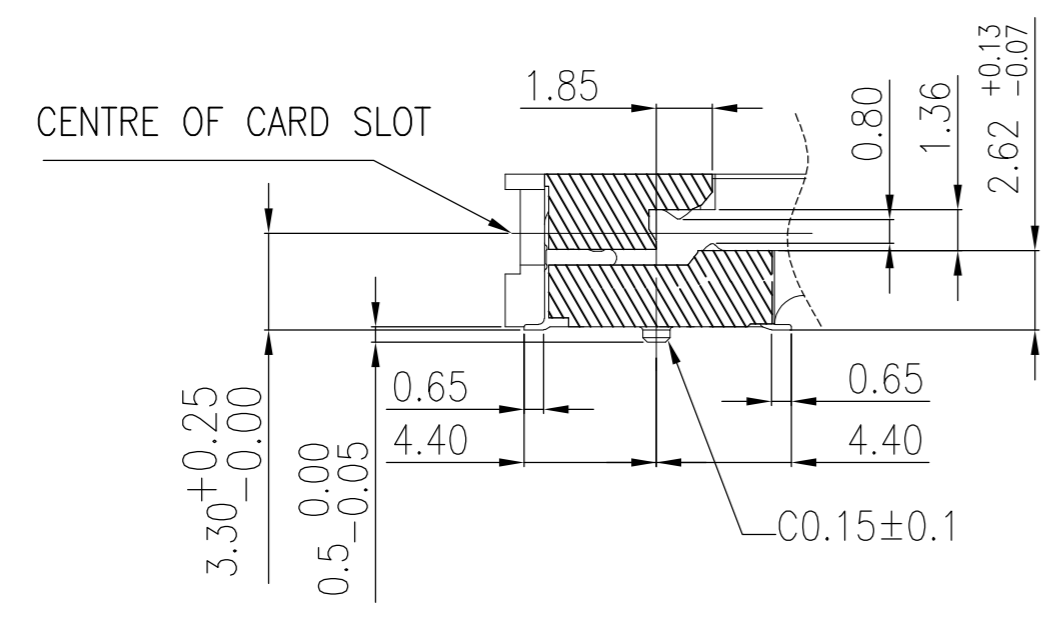
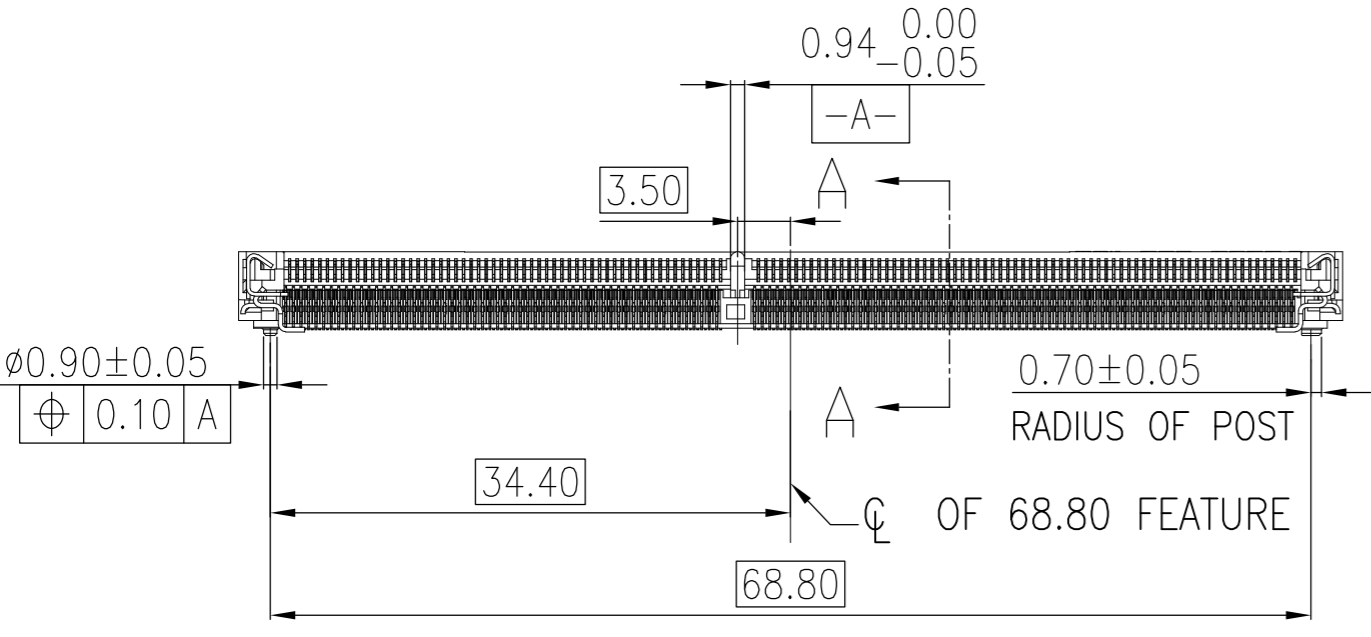
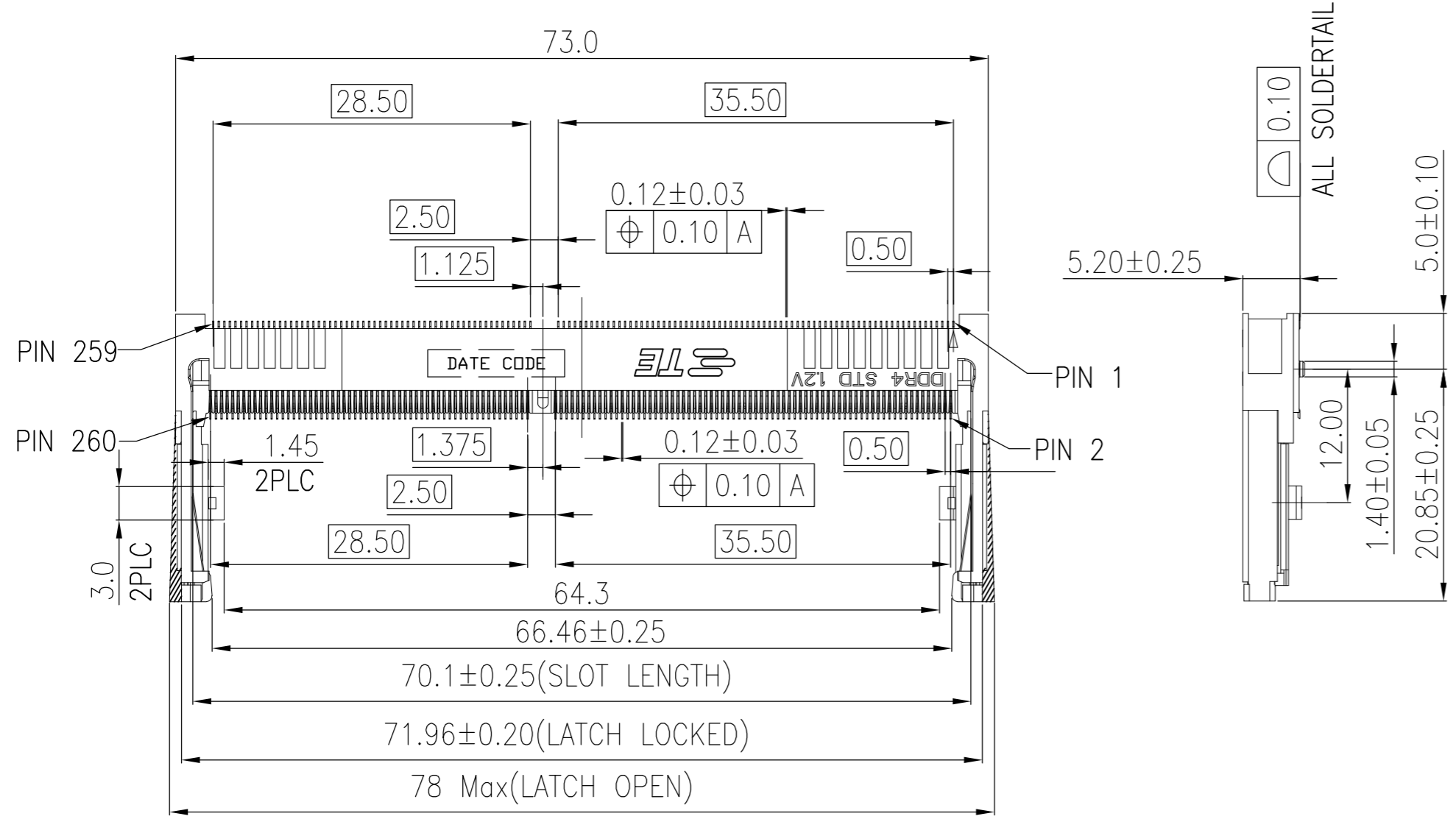
Email & Skype: info@chipsmall.com Web: www.chipsmall.com

Address: A1208, Overseas Decoration Building, #122 Zhenhua RD., Futian, Shenzhen, China

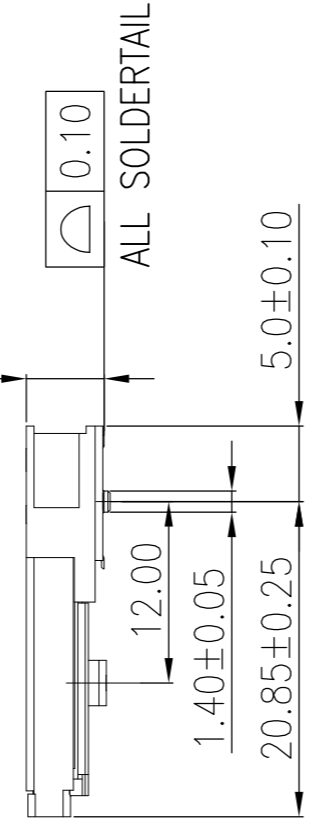


THIS DRAWING IS UNPUBLISHED. RELEASED FOR PUBLICATION
 © COPYRIGHT 2016 By TE connectivity ALL RIGHTS RESERVED.

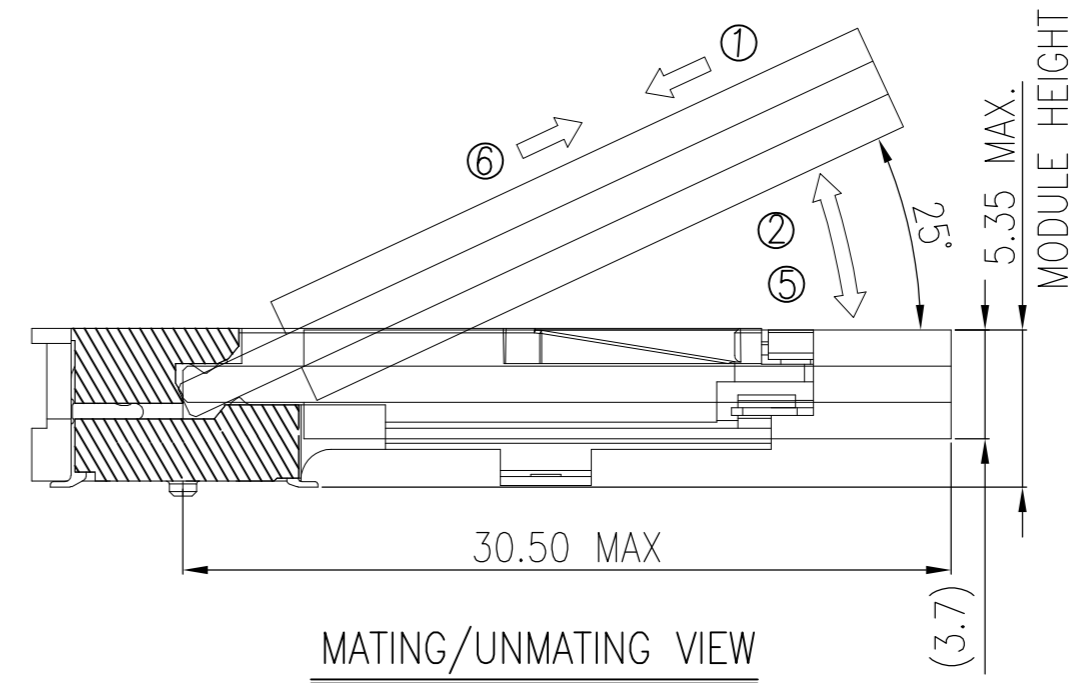
REVISIONS					
P	LTR	DESCRIPTION	DATE	DWN	APVD
3		REVISED	18FEB2017	D.Z	S.L



SECTION:A-A
SCALE 2:1



- NOTES:
- MATERIAL:
 - HOUSING: HIGH TEMPERATURE THERMO PLASTIC, UL94V-0, COLOR: BLACK.
 - CONTACT: COPPER ALLOY.
 - SOLDER PEG AND LATCH: STAINLESS STEEL.
 - FINISH:
 - SOLDER PEG: GOLD FLASH ON 50u" MIN NICKEL UNDERPLATED ALL OVER.
 - CONTACT SOLDER AREA: GOLD FLASH ON SOLDER TAIL.
 - CONTACT AREA: GOLD FLASH ON 50u" MIN NICKEL UNDERPLATED ALL OVER.
 - CONTACT AREA: 5u" ON 50u" MIN NICKEL UNDERPLATED ALL OVER.
 - CONTACT AREA: 10u" ON 50u" MIN NICKEL UNDERPLATED ALL OVER.
 - CONTACT AREA: 15u" ON 50u" MIN NICKEL UNDERPLATED ALL OVER.
 - CONTACT AREA: 30u" ON 50u" MIN NICKEL UNDERPLATED ALL OVER.
 - COPLANARITY: 0.10 MAX.



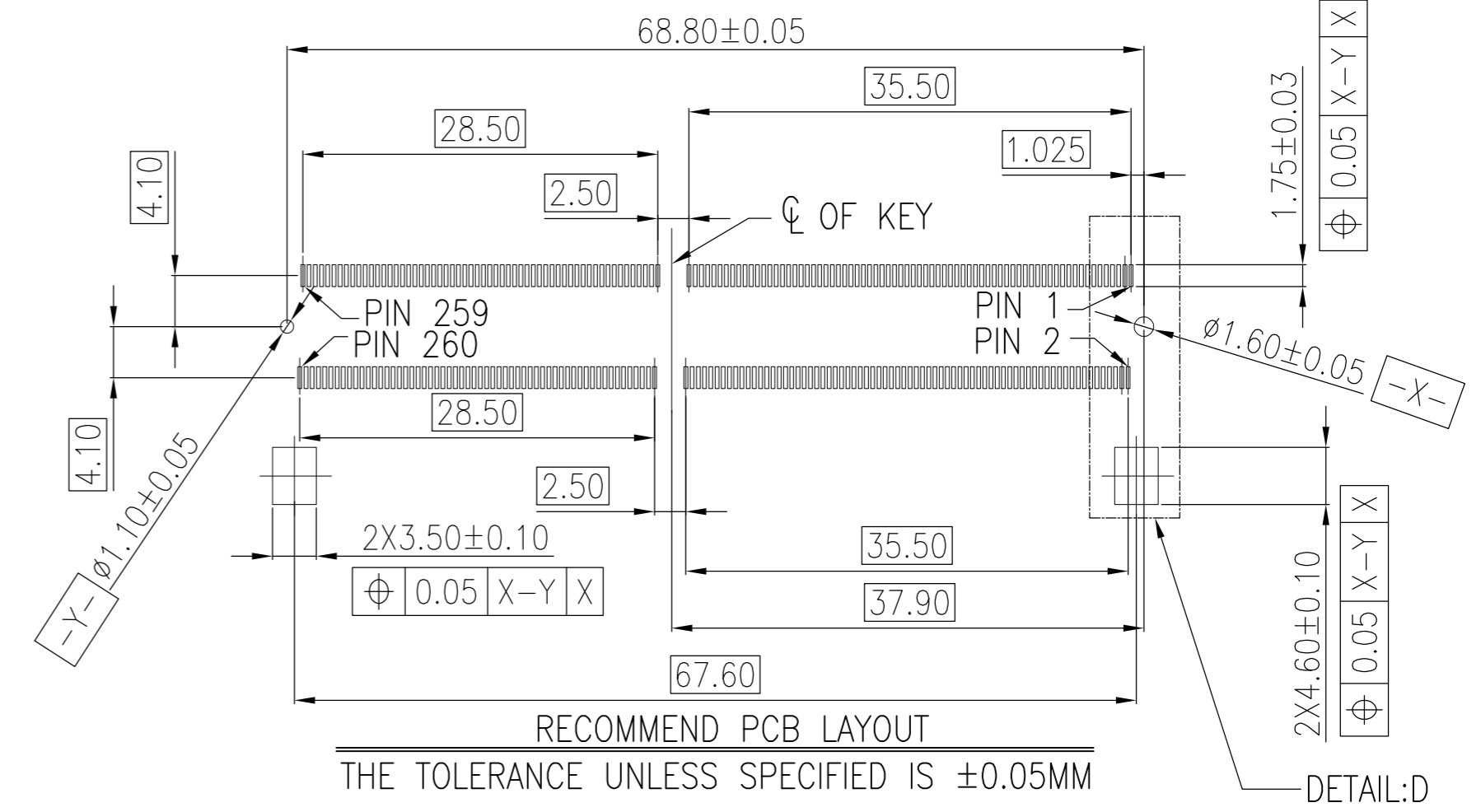
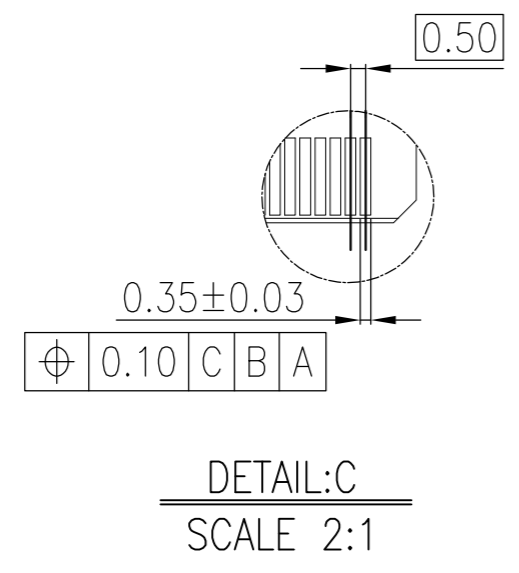
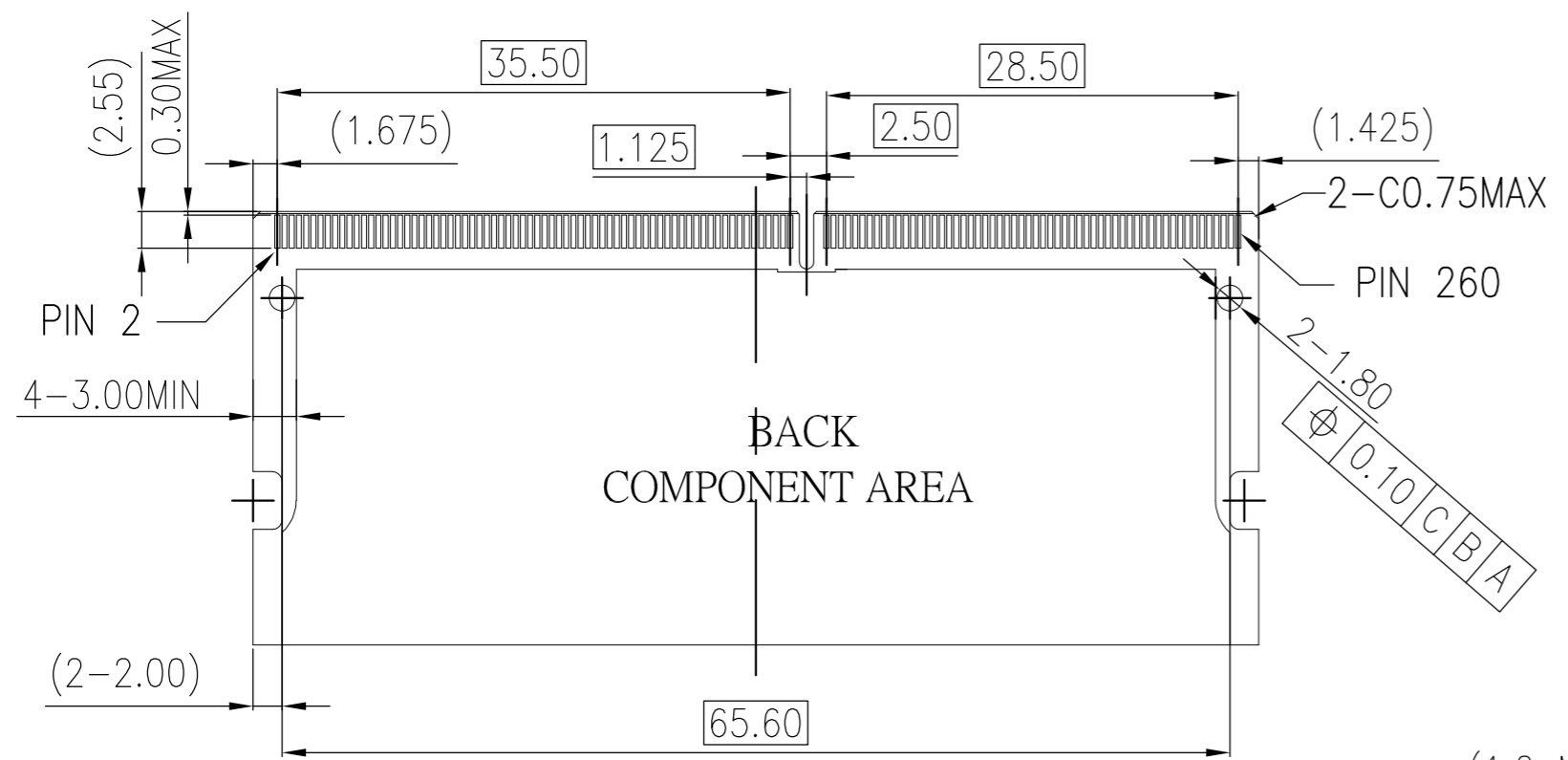
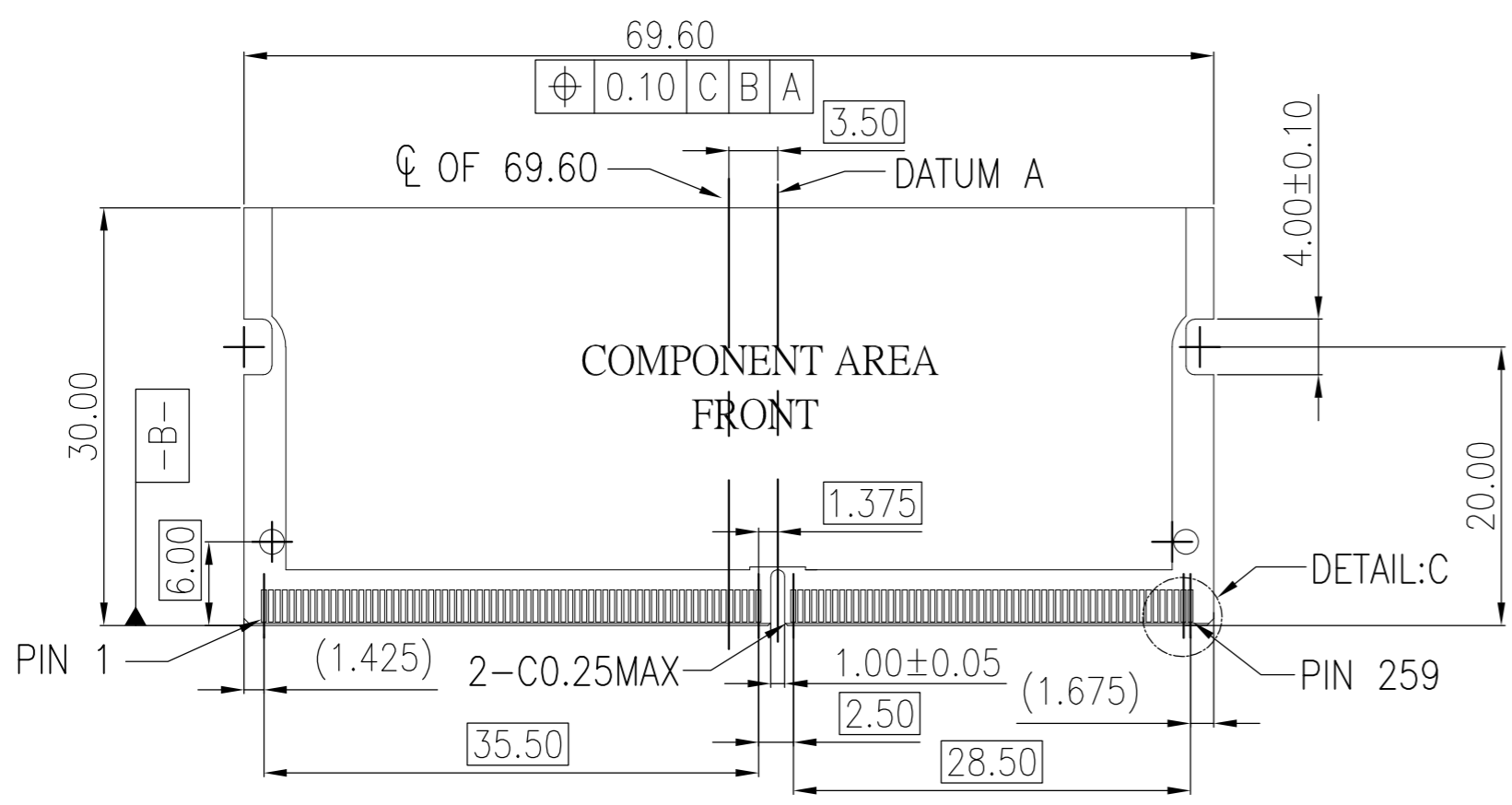
- MATING: ① INSERTING(25°) → ② ROTATING → ③ FIXED
 UNMATING: ④ UNFIXED → ⑤ ROTATING → ⑥ WITHDRAWING

TAPE&REEL	BLACK	1.2V	30u"	260	2309409-5
TAPE&REEL	BLACK	1.2V	15u"	260	2309409-4
TAPE&REEL	BLACK	1.2V	10u"	260	2309409-3
TAPE&REEL	BLACK	1.2V	5u"	260	2309409-2
TAPE&REEL	BLACK	1.2V	GF	260	2309409-1
PACKING TYPE	HOUSING COLOR	POWER SUPPLY	FINISH	POS	PART NO.

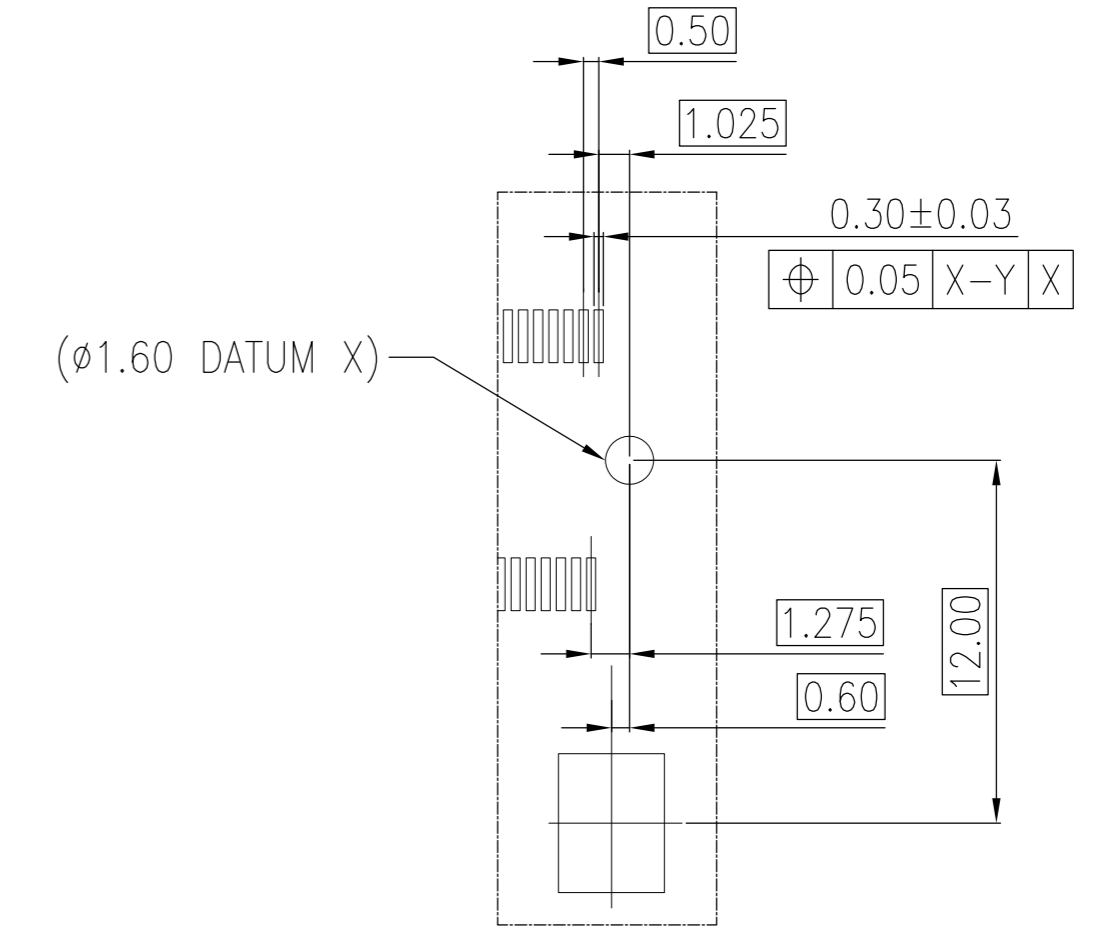
THIS DRAWING IS A CONTROLLED DOCUMENT.		DWN DAVID_ZHAO 09SEP2016			
DIMENSIONS: mm		CHK RICHARD_MA 09SEP2016			
TOLERANCES UNLESS OTHERWISE SPECIFIED:		APVD SIMON_LI 09SEP2016	NAME		
0 PLC ± -		PRODUCT SPEC		DDR4 SODIMM SOCKET	
1 PLC ± 0.25		APPLICATION SPEC		0.5mm PITCH 260POS	
2 PLC ± 0.15		108-115122		5.2mm HEIGHT STANDARD TYPE	
3 PLC ± 0.10		-		SIZE CAGE CODE DRAWING NO RESTRICTED TO	
4 PLC ± -		-		A2 00779 C=2309409	
ANGLES ± -		WEIGHT -		SCALE 1:1 SHEET 1 of 3 REV 3	
FINISH		CUSTOMER DRAWING			

THIS DRAWING IS UNPUBLISHED. RELEASED FOR PUBLICATION
 © COPYRIGHT 2016 By TE connectivity ALL RIGHTS RESERVED.

REVISIONS					
P	LTR	DESCRIPTION	DATE	DWN	APVD
-	-		-	-	-



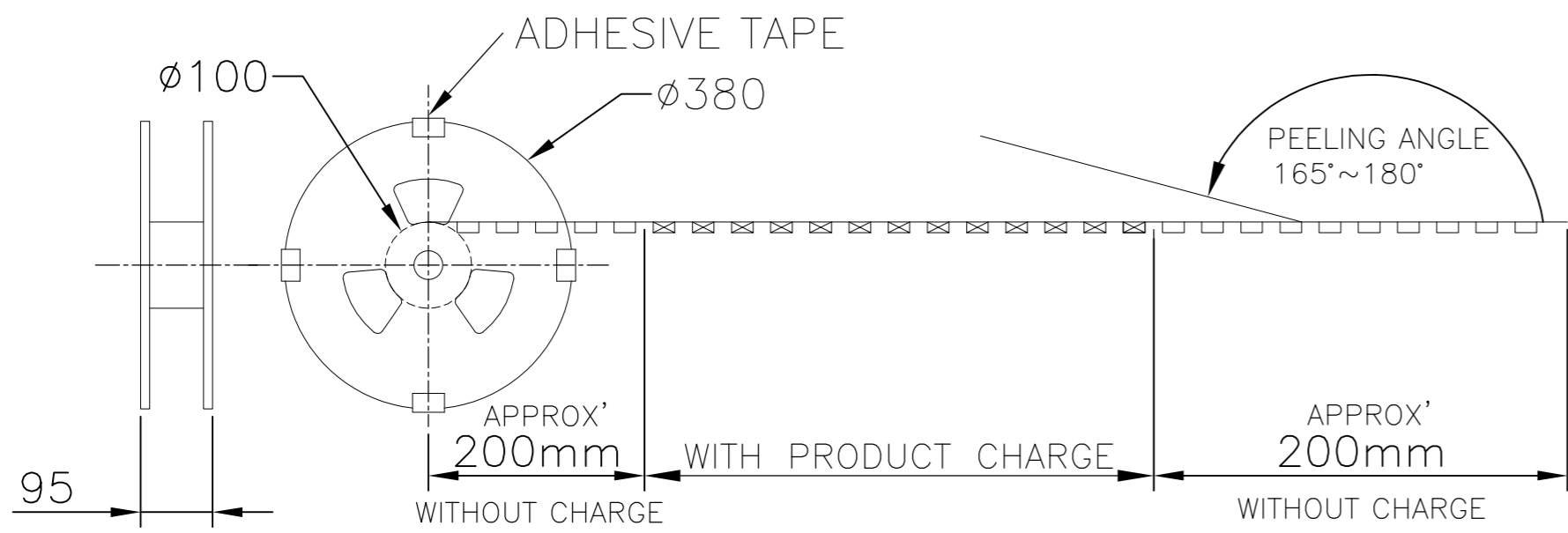
RECOMMEND PCB LAYOUT
 THE TOLERANCE UNLESS SPECIFIED IS ±0.05MM



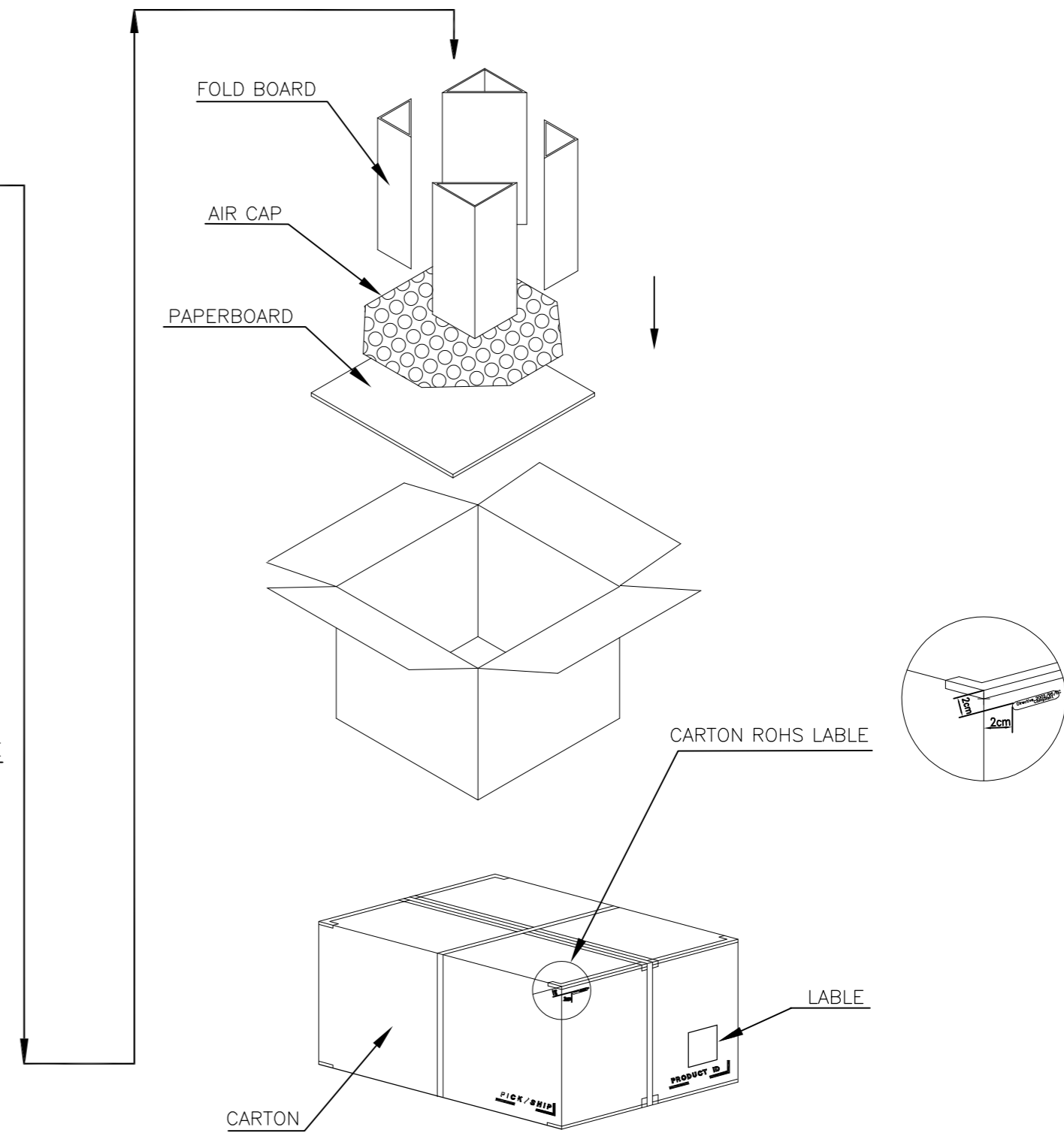
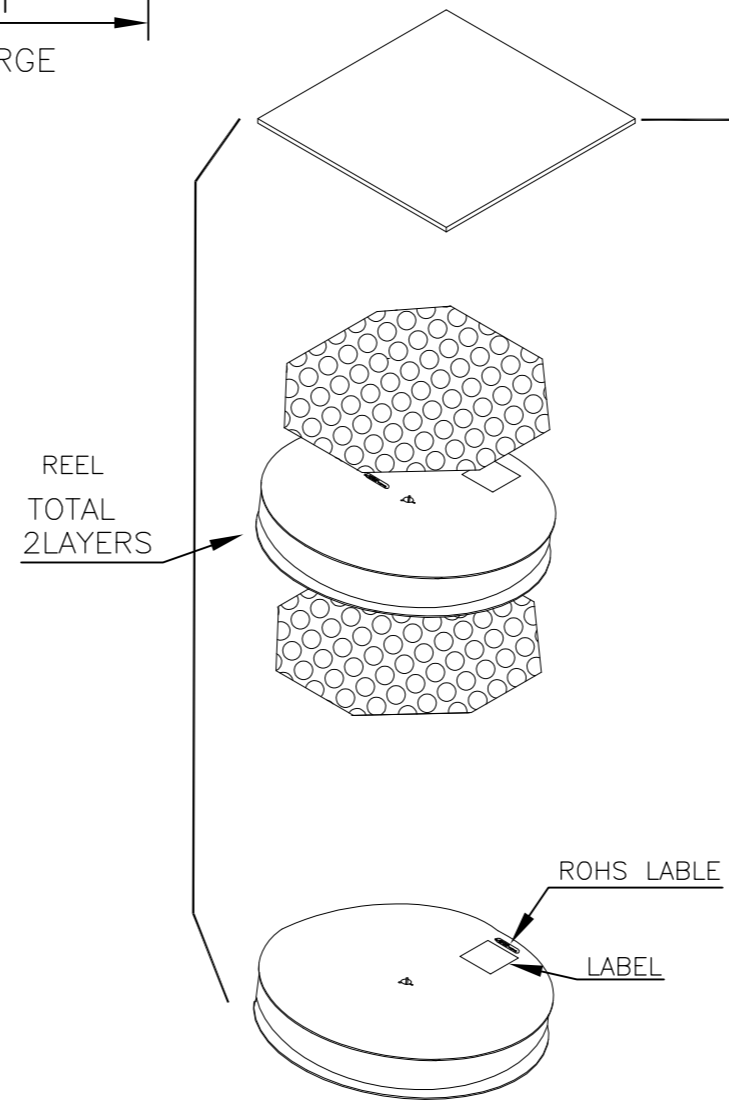
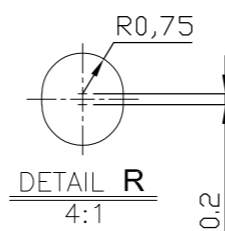
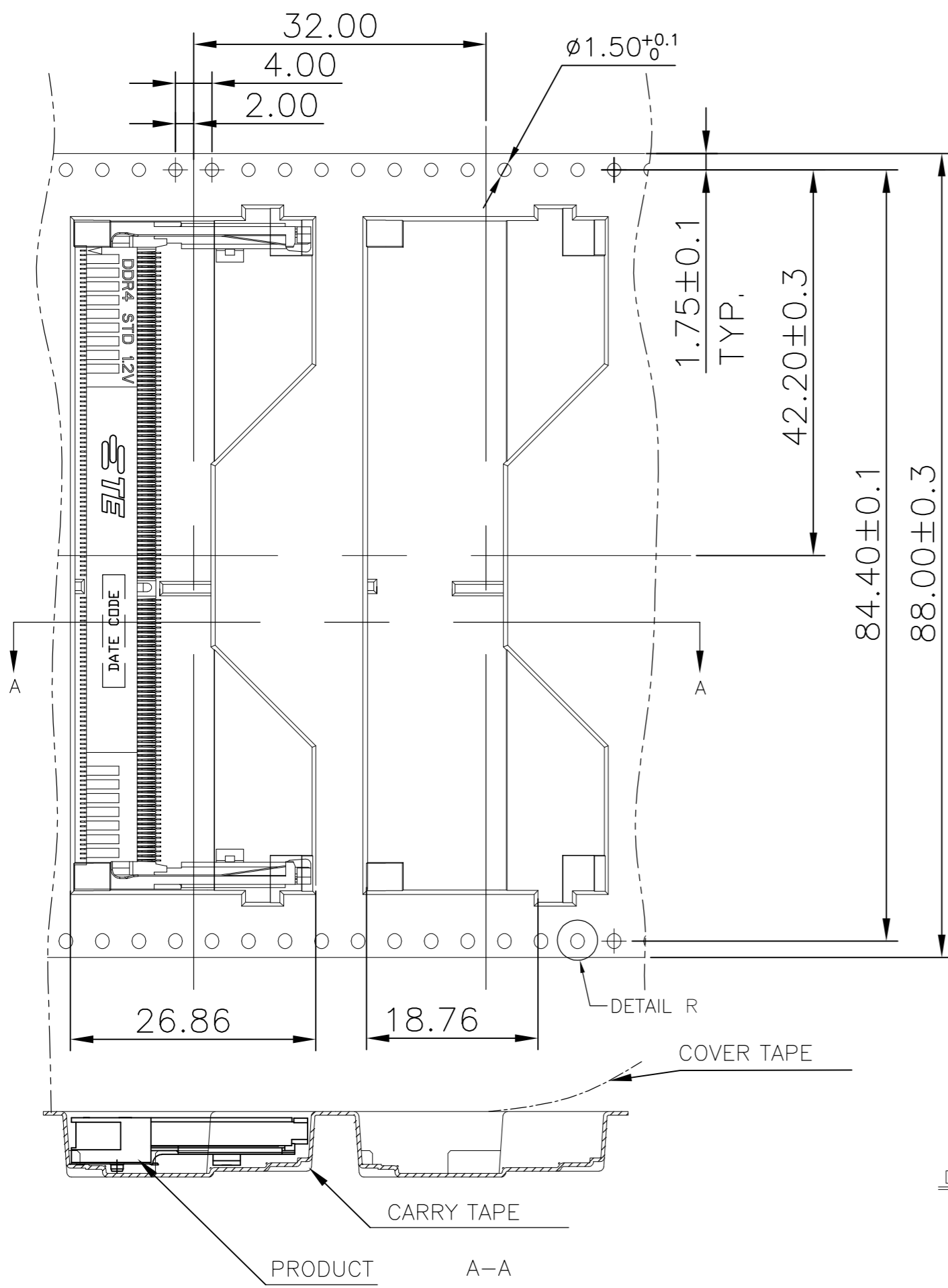
THIS DRAWING IS A CONTROLLED DOCUMENT.		DWN DAVID ZHAO 09SEP2016		
DIMENSIONS: mm		CHK RICHARD ,MA 09SEP2016		
TOLERANCES UNLESS OTHERWISE SPECIFIED:		APVD SIMON LI 09SEP2016	NAME	
0 PLC ±		PRODUCT SPEC	DDR4 SODIMM SOCKET	
1 PLC ±		APPLICATION SPEC	0.5mm PITCH 260POS	
2 PLC ±		WEIGHT	5.2mm HEIGHT STANDARD TYPE	
3 PLC ±		CUSTOMER DRAWING	SIZE A2	CAGE CODE 00779
4 PLC ±	FINISH	SCALE 1:1	SHEET 2 OF 3	REV 3
ANGLES ±				

THIS DRAWING IS UNPUBLISHED. RELEASED FOR PUBLICATION
 © COPYRIGHT 2016 By TE connectivity ALL RIGHTS RESERVED.

REVISIONS					
P	LTR	DESCRIPTION	DATE	DWN	APVD
-	-		-	-	-



PULL OUT DIRECTION



400	2	800	*-2309409-*
PCS/REEL	REEL/CARTON	PCS/CARTON	PART NUMBER

THIS DRAWING IS A CONTROLLED DOCUMENT.		DWN DAVID ZHAO 09SEP2016	TE Connectivity	
DIMENSIONS: mm		CHK RICHARD ,MA 09SEP2016	NAME	
TOLERANCES UNLESS OTHERWISE SPECIFIED:		APVD SIMON LI 09SEP2016	PRODUCT SPEC	
0 PLC ±		APPLICATION SPEC		
1 PLC ± -		WEIGHT		
2 PLC ± -		CUSTOMER DRAWING		
3 PLC ± -		SIZE A2 CAGE CODE 00779		
4 PLC ± -		DRAWING NO. C=2309409		
ANGLES ± -		RESTRICTED TO		
FINISH		SCALE - SHEET 3 of 3 REV 3		

TE TE Connectivity
 DDR4 SODIMM SOCKET
 0.5mm PITCH 260POS
 5.2mm HEIGHT STANDARD TYPE