



Chipsmall Limited consists of a professional team with an average of over 10 year of expertise in the distribution of electronic components. Based in Hongkong, we have already established firm and mutual-benefit business relationships with customers from,Europe,America and south Asia,supplying obsolete and hard-to-find components to meet their specific needs.

With the principle of “Quality Parts,Customers Priority,Honest Operation,and Considerate Service”,our business mainly focus on the distribution of electronic components. Line cards we deal with include Microchip,ALPS,ROHM,Xilinx,Pulse,ON,Everlight and Freescale. Main products comprise IC,Modules,Potentiometer,IC Socket,Relay,Connector.Our parts cover such applications as commercial,industrial, and automotives areas.

We are looking forward to setting up business relationship with you and hope to provide you with the best service and solution. Let us make a better world for our industry!



Contact us

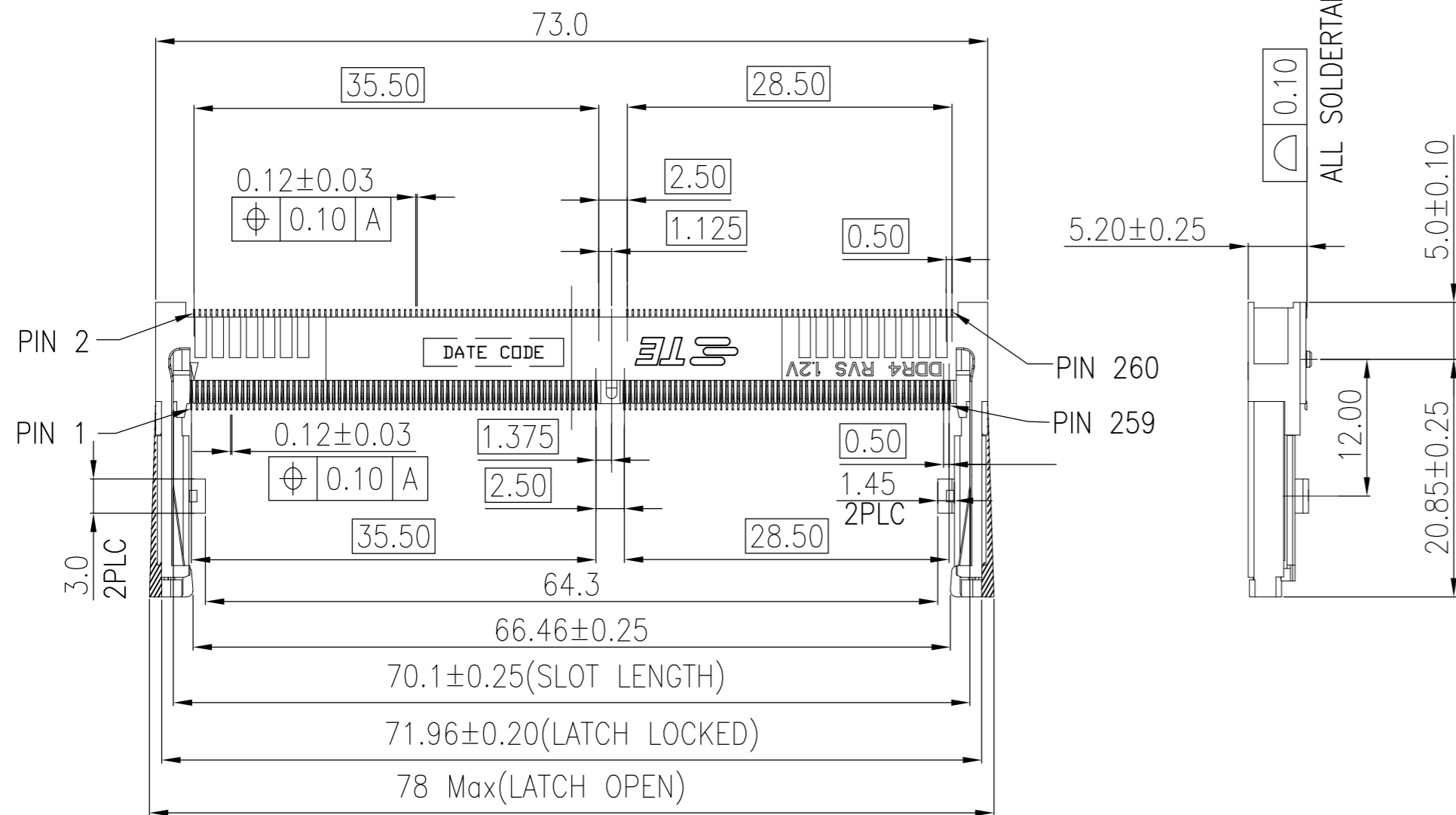
Tel: +86-755-8981 8866 Fax: +86-755-8427 6832

Email & Skype: info@chipsmall.com Web: www.chipsmall.com

Address: A1208, Overseas Decoration Building, #122 Zhenhua RD., Futian, Shenzhen, China

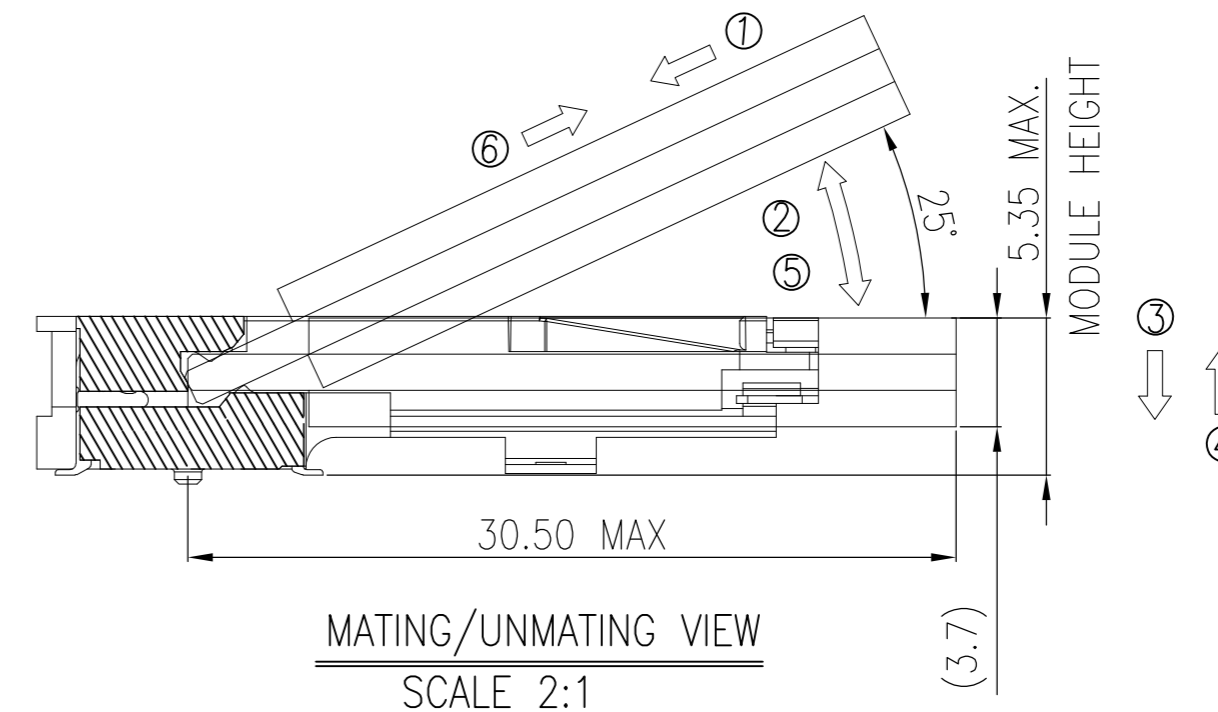
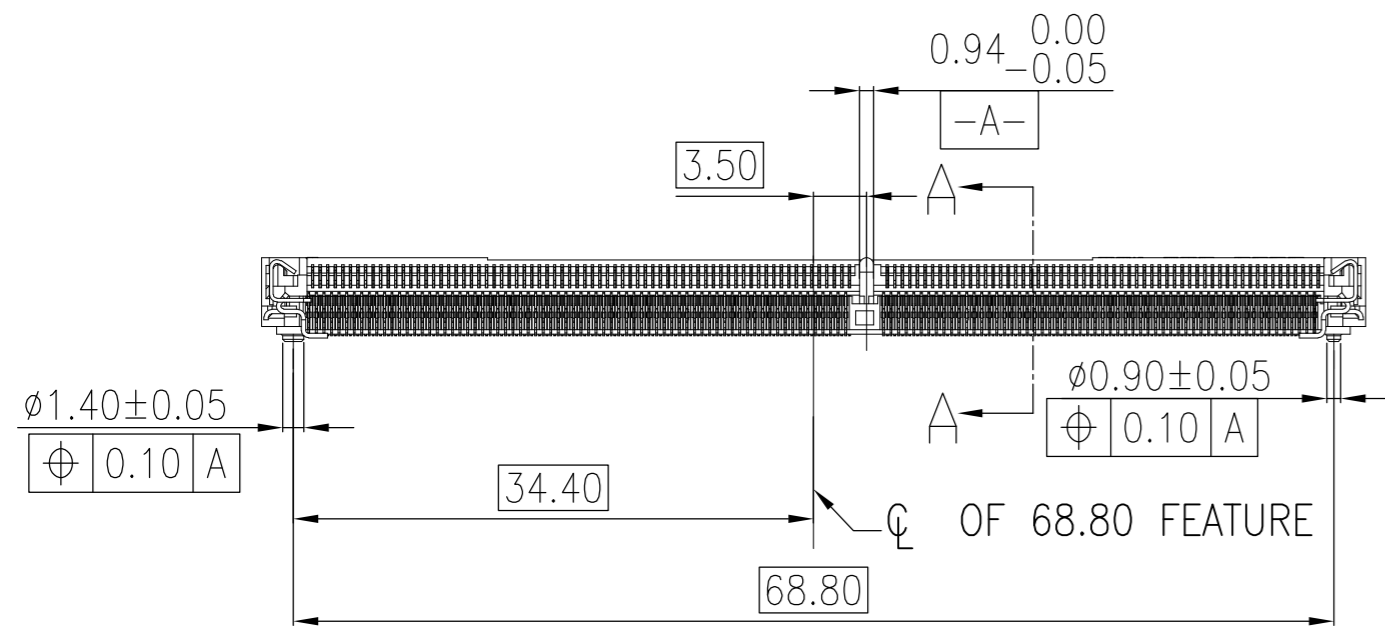


REVISIONS					
P	LTR	DESCRIPTION	DATE	DWN	APVD
4		REVISED	10OCT2017	D.Z	S.L

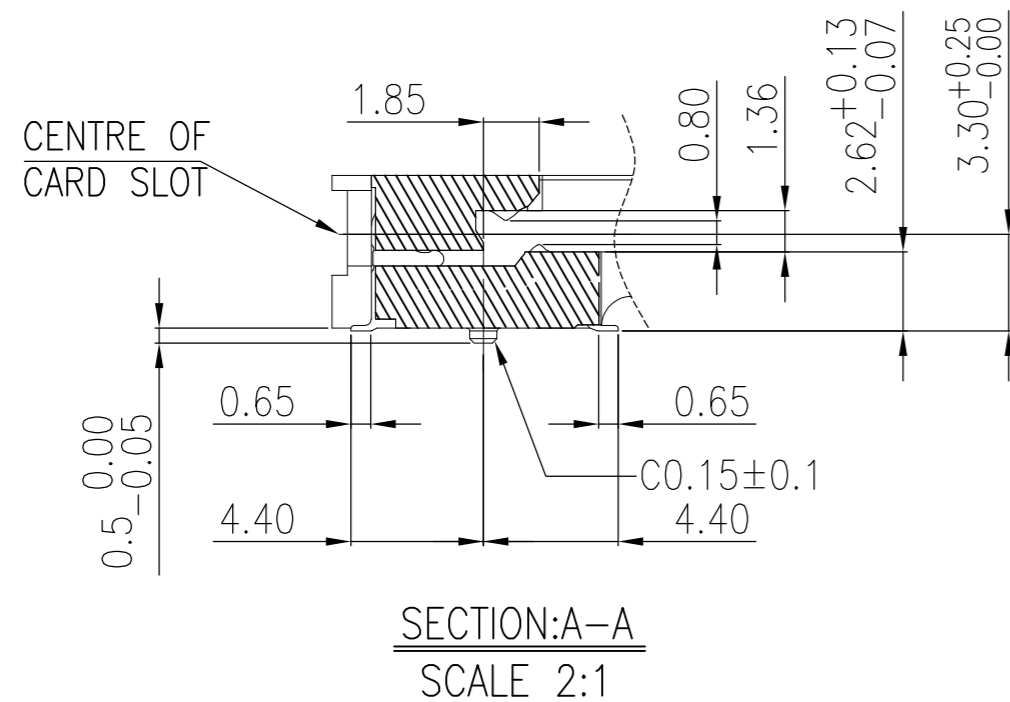


NOTES:

- MATERIAL:
 - HOUSING: HIGH TEMPERATURE THERMO PLASTIC, UL94V-0, COLOR: BLACK.
 - CONTACT: COPPER ALLOY.
 - SOLDER PEG AND LATCH: STAINLESS STEEL.
- FINISH:
 - SOLDER PEG: GOLD FLASH ON 50u" MIN NICKEL UNDERPLATED ALL OVER.
 - CONTACT SOLDER AREA: GOLD FLASH ON SOLDER TAIL.
 - CONTACT AREA: GOLD FLASH ON 50u" MIN NICKEL UNDERPLATED ALL OVER.
 - CONTACT AREA: 5u" ON 50u" MIN NICKEL UNDERPLATED ALL OVER.
 - CONTACT AREA: 10u" ON 50u" MIN NICKEL UNDERPLATED ALL OVER.
 - CONTACT AREA: 15u" ON 50u" MIN NICKEL UNDERPLATED ALL OVER.
 - CONTACT AREA: 30u" ON 50u" MIN NICKEL UNDERPLATED ALL OVER.
- COPLANARITY: 0.10 MAX. (BEFORE SOLDERING)



MATING: ① INSERTING(25°) → ② ROTATING → ③ FIXED
 UNMATING: ④ UNFIXED → ⑤ ROTATING → ⑥ WITHDRAWING

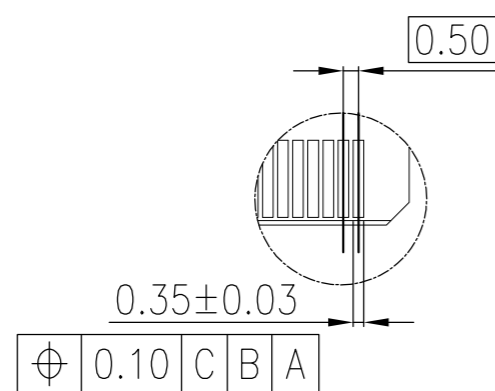
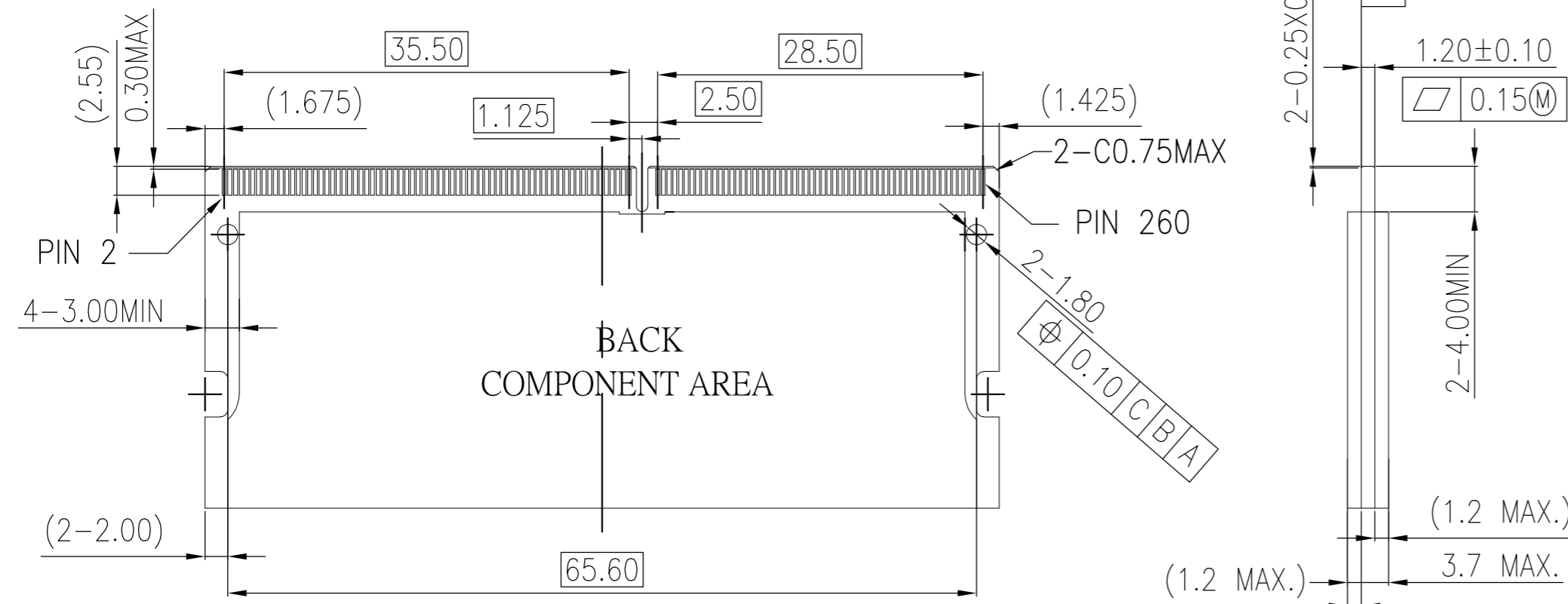
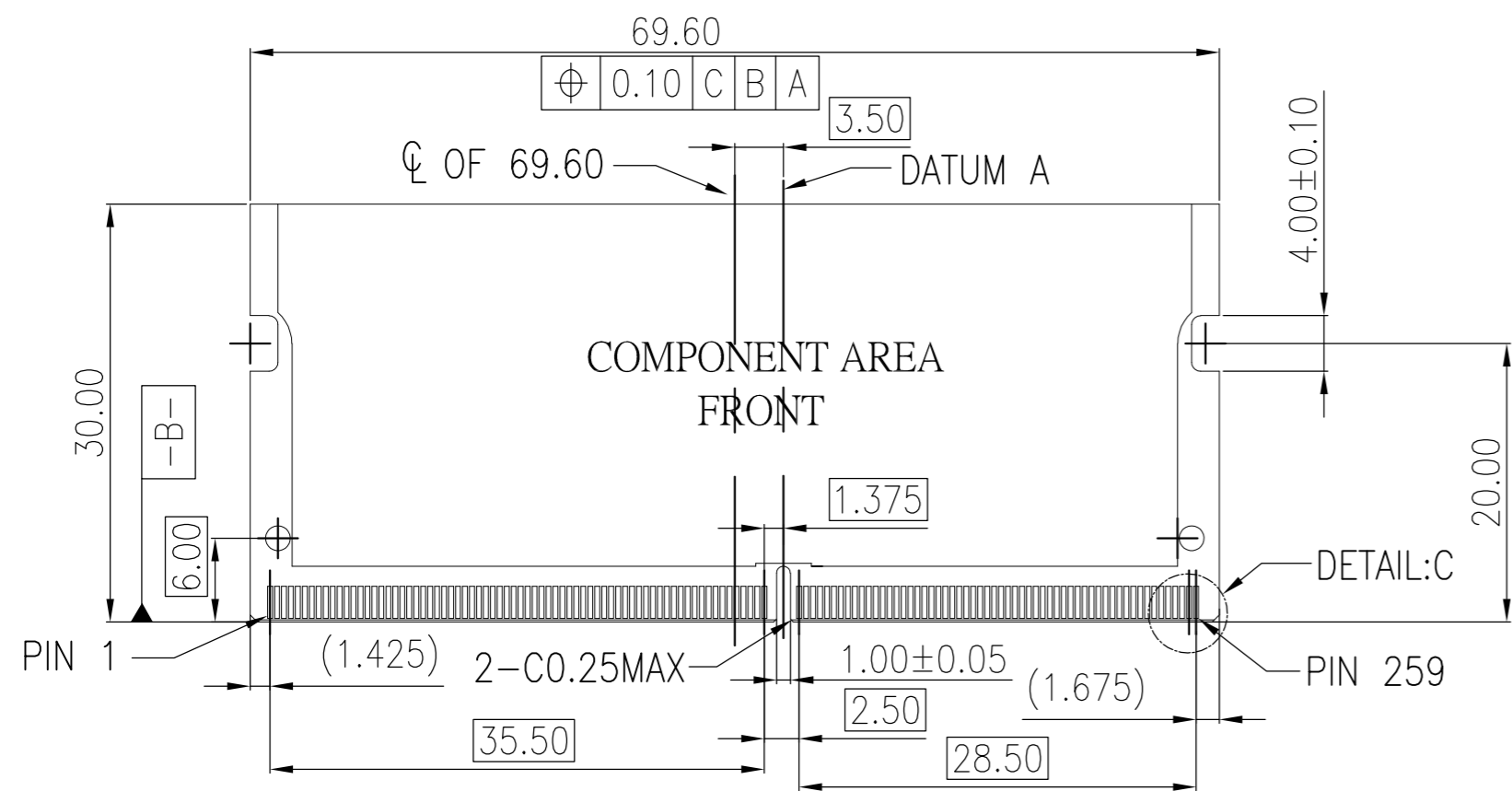


TAPE&REEL	BLACK	1.2V	30u"	260	2309410-5
TAPE&REEL	BLACK	1.2V	15u"	260	2309410-4
TAPE&REEL	BLACK	1.2V	10u"	260	2309410-3
TAPE&REEL	BLACK	1.2V	5u"	260	2309410-2
TAPE&REEL	BLACK	1.2V	GF	260	2309410-1
PACKING TYPE	HOUSING COLOR	POWER SUPPLY	FINISH	POS	PART NO.

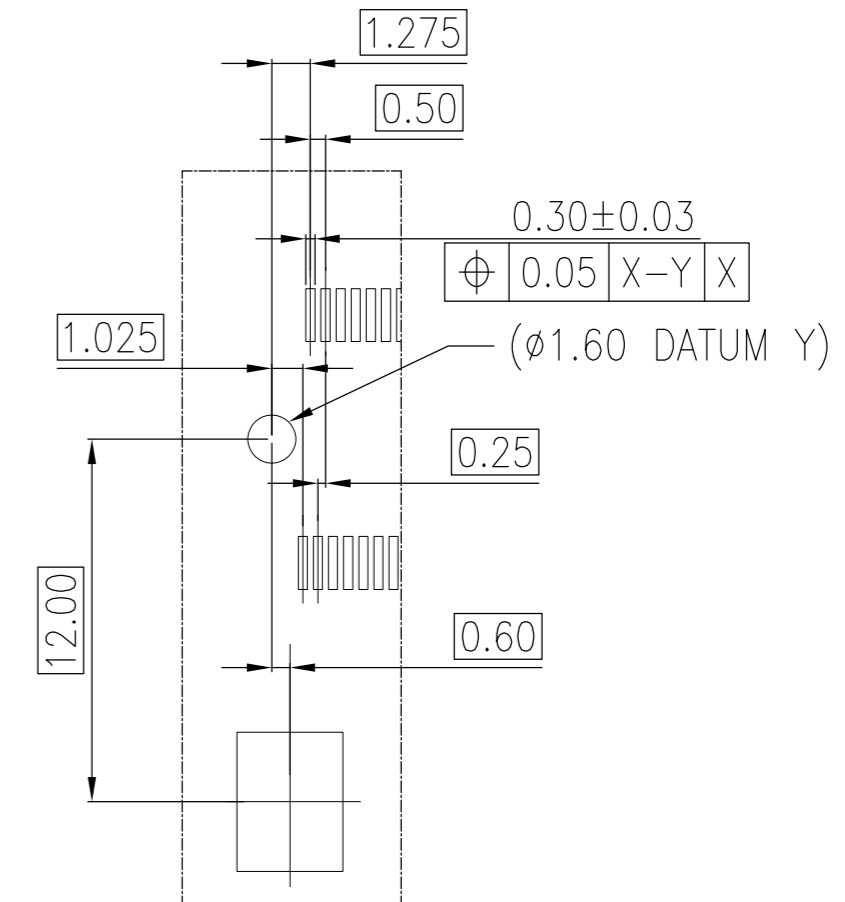
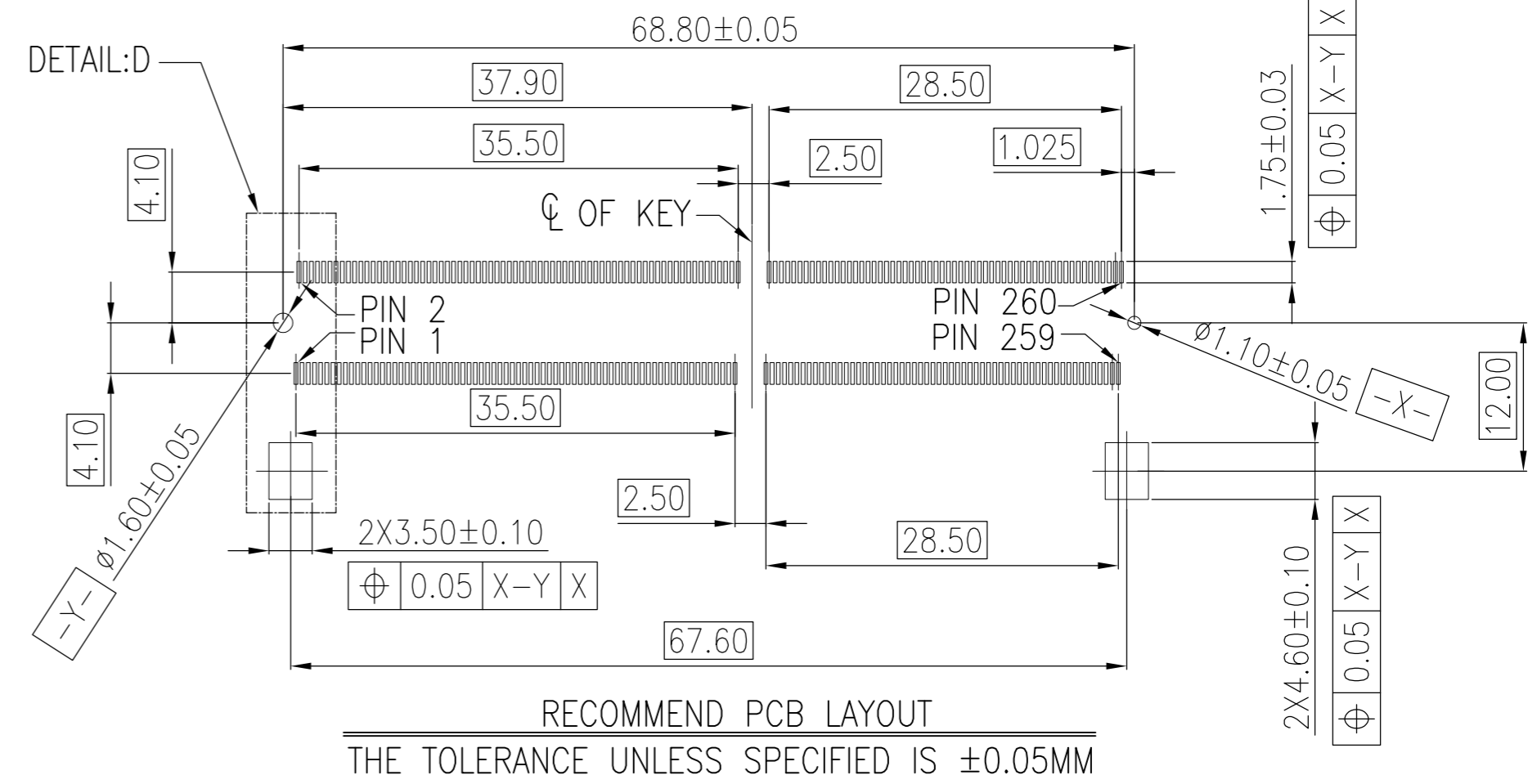
THIS DRAWING IS A CONTROLLED DOCUMENT.		DWN DAVID ZHAO 09SEP2016			
DIMENSIONS: mm		CHK RICHARD MA 09SEP2016			
TOLERANCES UNLESS OTHERWISE SPECIFIED:		APVD SIMON LI 09SEP2016	NAME		
0 PLC ± -		PRODUCT SPEC	DDR4 SODIMM SOCKET		
1 PLC ± 0.25		APPLICATION SPEC	0.5mm PITCH 260POS		
2 PLC ± 0.15			5.2mm HEIGHT REVERSE TYPE		
3 PLC ± 0.10			SIZE	CAGE CODE	DRAWING NO.
4 PLC ± -			A2	00779	C=2309410
ANGLES ± -			RESTRICTED TO		
FINISH		WEIGHT	-		
MATERIAL		CUSTOMER DRAWING	SCALE	SHEET	REV
			1:1	1 of 3	4

THIS DRAWING IS UNPUBLISHED. RELEASED FOR PUBLICATION
 © COPYRIGHT - By - ALL RIGHTS RESERVED.

REVISIONS					
P	LTR	DESCRIPTION	DATE	DWN	APVD
-	-		-	-	-



DETAIL:C
 SCALE 2:1

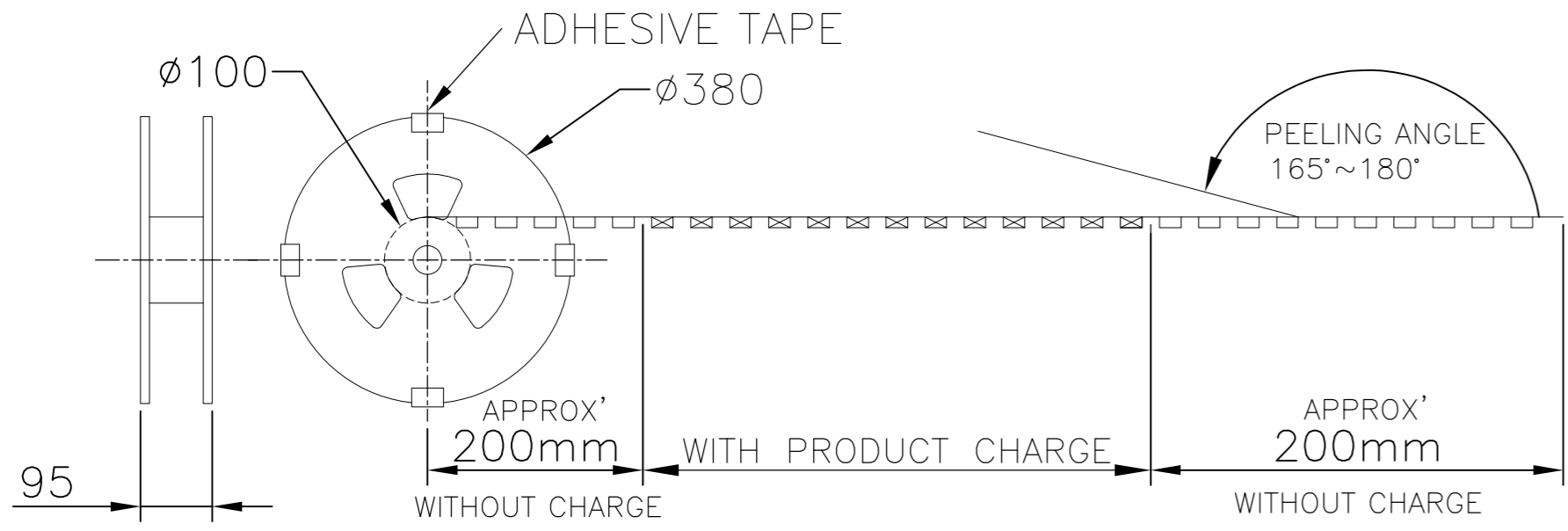


DETAIL:D
 SCALE 2:1

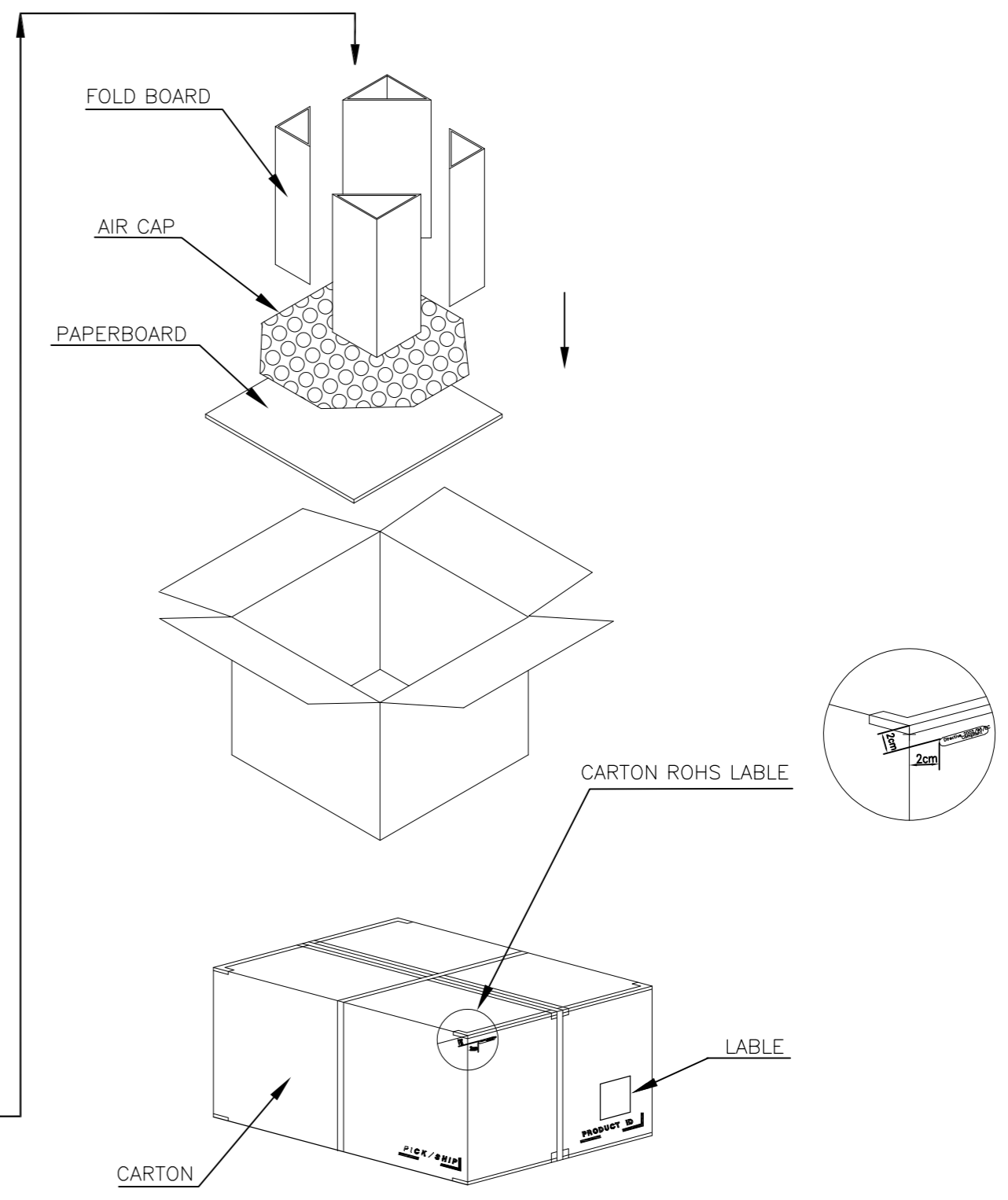
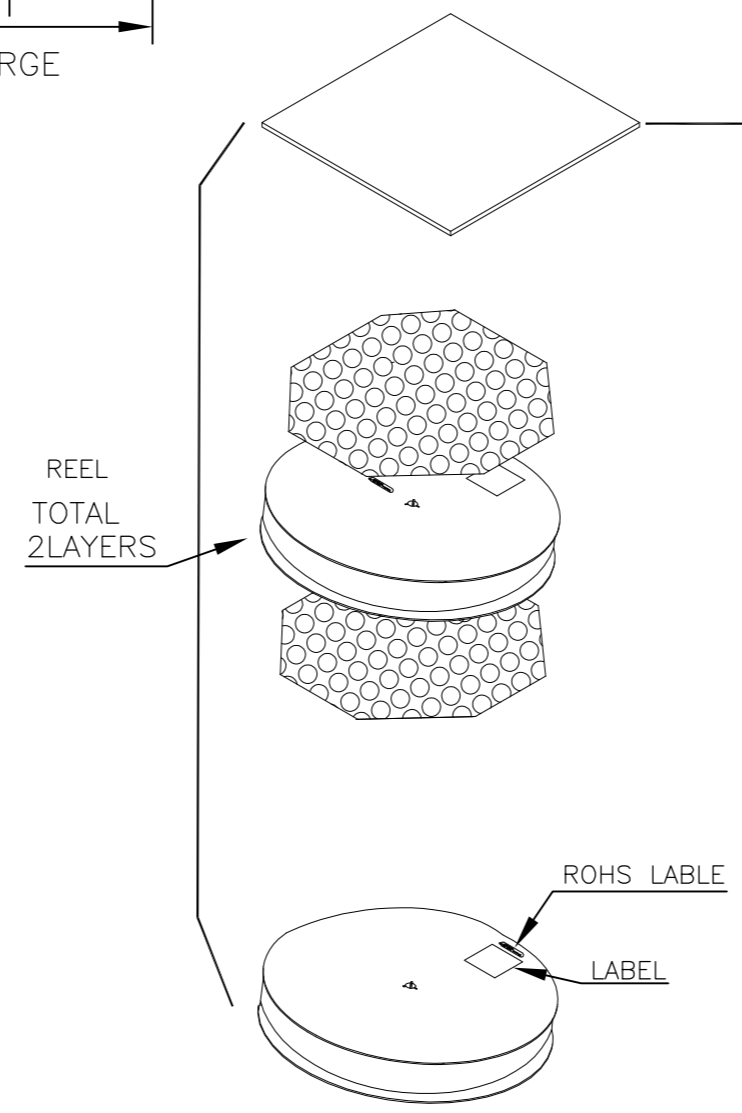
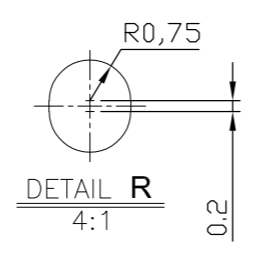
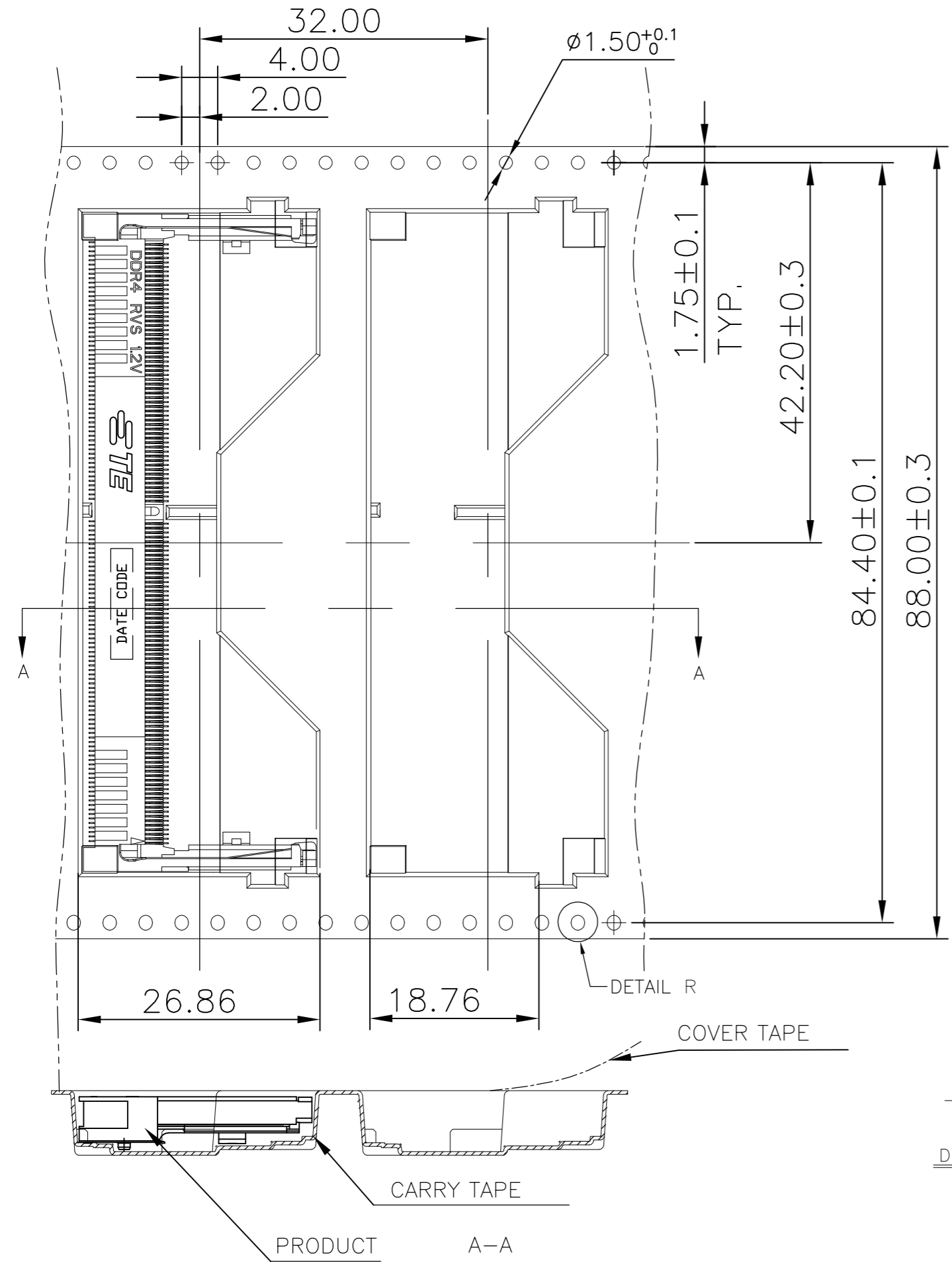
THIS DRAWING IS A CONTROLLED DOCUMENT.		DWN DAVID ZHAO 09SEP2016	 TE Connectivity DDR4 SODIMM SOCKET 0.5mm PITCH 260POS 5.2mm HEIGHT REVERSE TYPE	SIZE	CAGE CODE	DRAWING NO	RESTRICTED TO
DIMENSIONS:	TOLERANCES UNLESS OTHERWISE SPECIFIED	CHK RICHARD MA 09SEP2016		A2	00779	C=2309410	-
mm	0 PLC ± 1 PLC ± 2 PLC ± 3 PLC ± 4 PLC ± ANGLES ±	APVD SIMON LI 09SEP2016		SCALE	1:1	SHEET	2 OF 3
MATERIAL	FINISH	PRODUCT SPEC		WEIGHT		REV	4
		APPLICATION SPEC	CUSTOMER DRAWING				

THIS DRAWING IS UNPUBLISHED. RELEASED FOR PUBLICATION
 © COPYRIGHT - By - ALL RIGHTS RESERVED.

REVISIONS					
P	LTR	DESCRIPTION	DATE	DWN	APVD
-	-		-	-	-



PULL OUT DIRECTION →



400	2	800	*-2309410-*
PCS/REEL	REEL/CARTON	PCS/CARTON	PART NUMBER

THIS DRAWING IS A CONTROLLED DOCUMENT.		DWN DAVID ZHAO 09SEP2016	TE Connectivity	
DIMENSIONS: mm		CHK RICHARD MA 09SEP2016	NAME	
TOLERANCES UNLESS OTHERWISE SPECIFIED:		APVD SIMON LI 09SEP2016	PRODUCT SPEC	
0 PLC ±		APPLICATION SPEC		
1 PLC ± -		WEIGHT		
2 PLC ± -		CUSTOMER DRAWING		
3 PLC ± -		SIZE A2		
4 PLC ± -		CAGE CODE 00779		
ANGLES ± -		DRAWING NO. C=2309410		
FINISH ± -		RESTRICTED TO		
		SCALE - SHEET 3 of 3 REV 4		

TE TE Connectivity
 DDR4 SODIMM SOCKET
 0.5mm PITCH 260POS
 5.2mm HEIGHT REVERSE TYPE