



Chipsmall Limited consists of a professional team with an average of over 10 year of expertise in the distribution of electronic components. Based in Hongkong, we have already established firm and mutual-benefit business relationships with customers from,Europe,America and south Asia,supplying obsolete and hard-to-find components to meet their specific needs.

With the principle of "Quality Parts,Customers Priority,Honest Operation,and Considerate Service",our business mainly focus on the distribution of electronic components. Line cards we deal with include Microchip,ALPS,ROHM,Xilinx,Pulse,ON,Everlight and Freescale. Main products comprise IC,Modules,Potentiometer,IC Socket,Relay,Connector.Our parts cover such applications as commercial,industrial, and automotives areas.

We are looking forward to setting up business relationship with you and hope to provide you with the best service and solution. Let us make a better world for our industry!



## Contact us

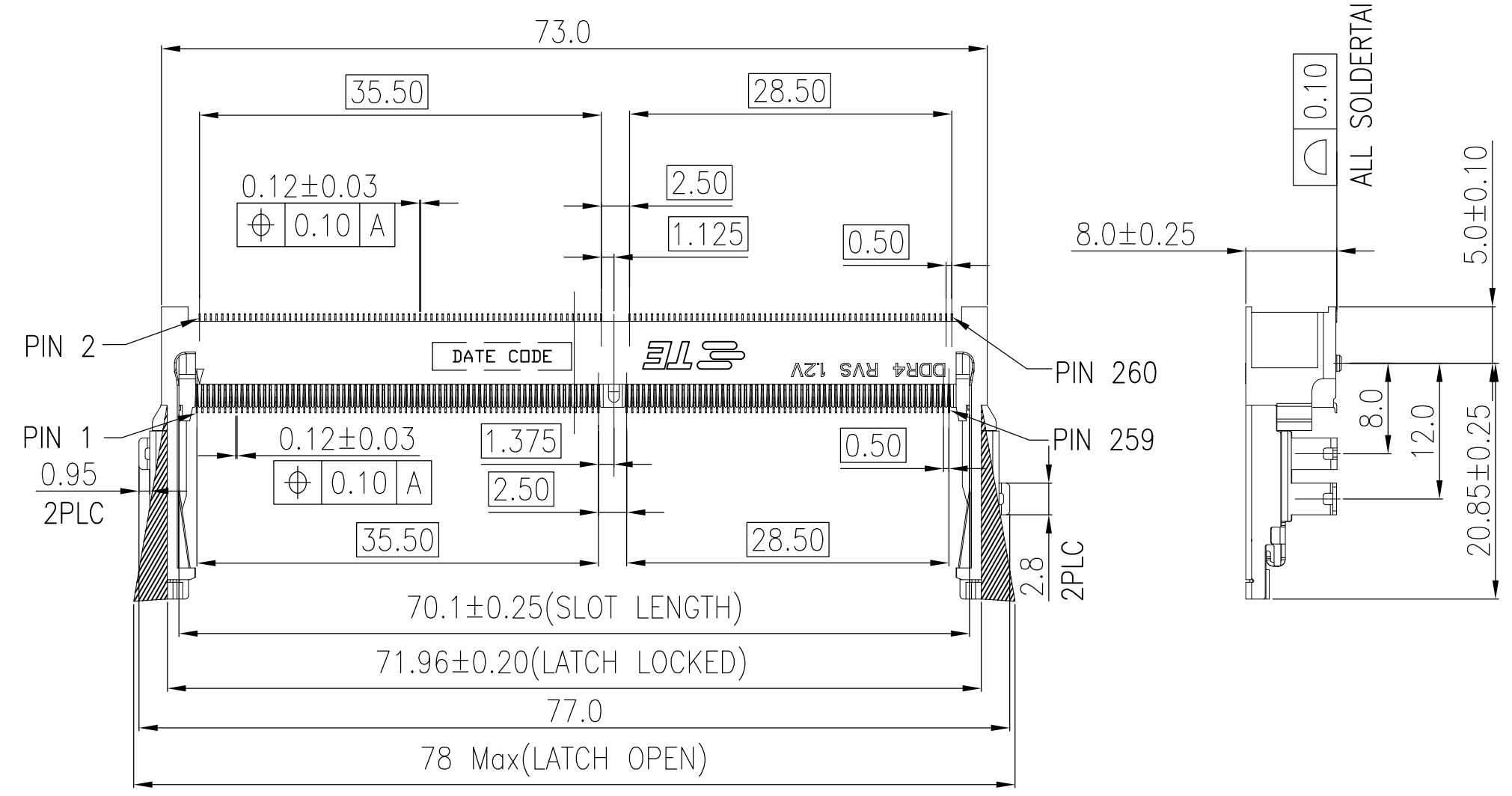
Tel: +86-755-8981 8866 Fax: +86-755-8427 6832

Email & Skype: info@chipsmall.com Web: www.chipsmall.com

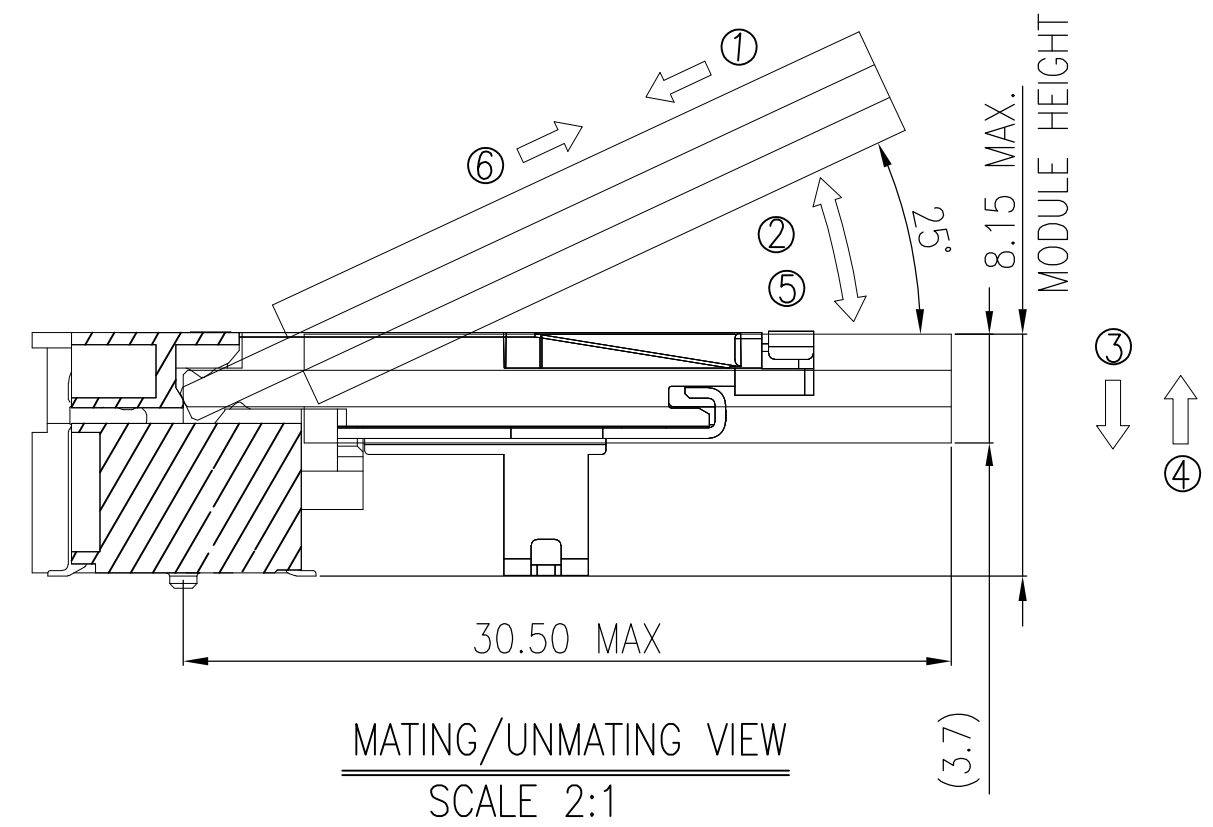
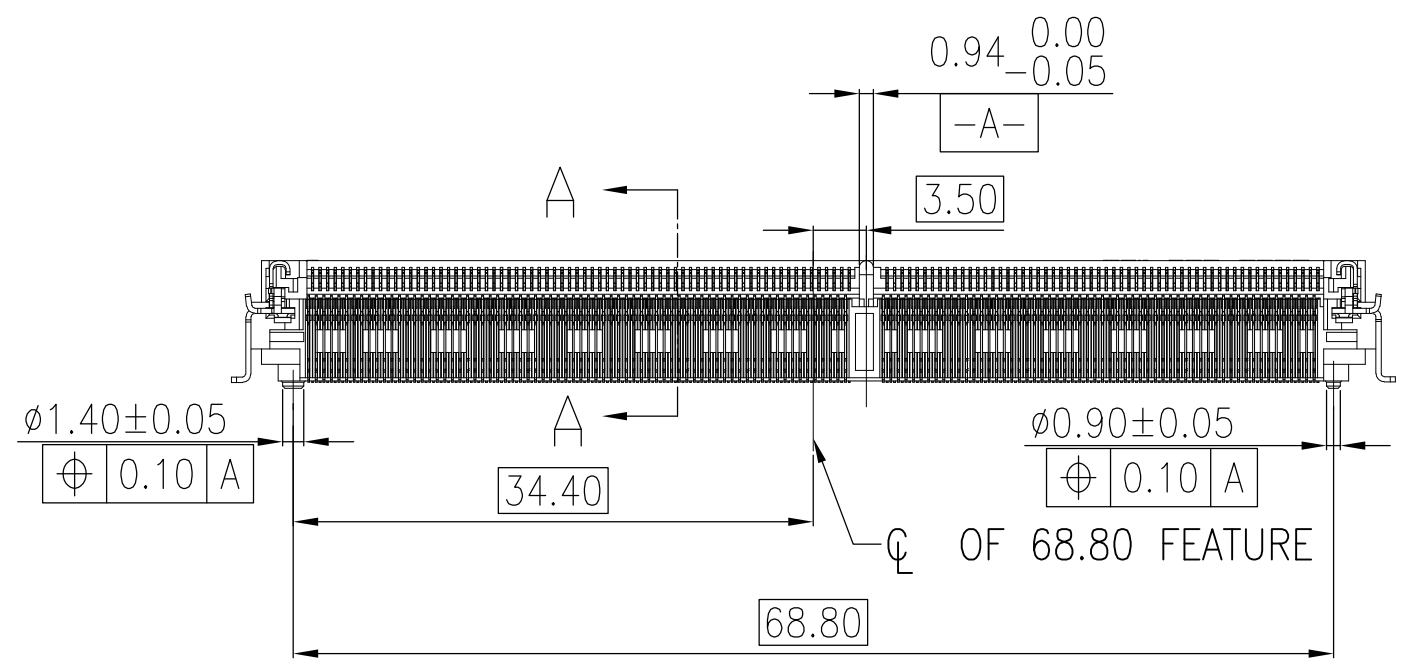
Address: A1208, Overseas Decoration Building, #122 Zhenhua RD., Futian, Shenzhen, China



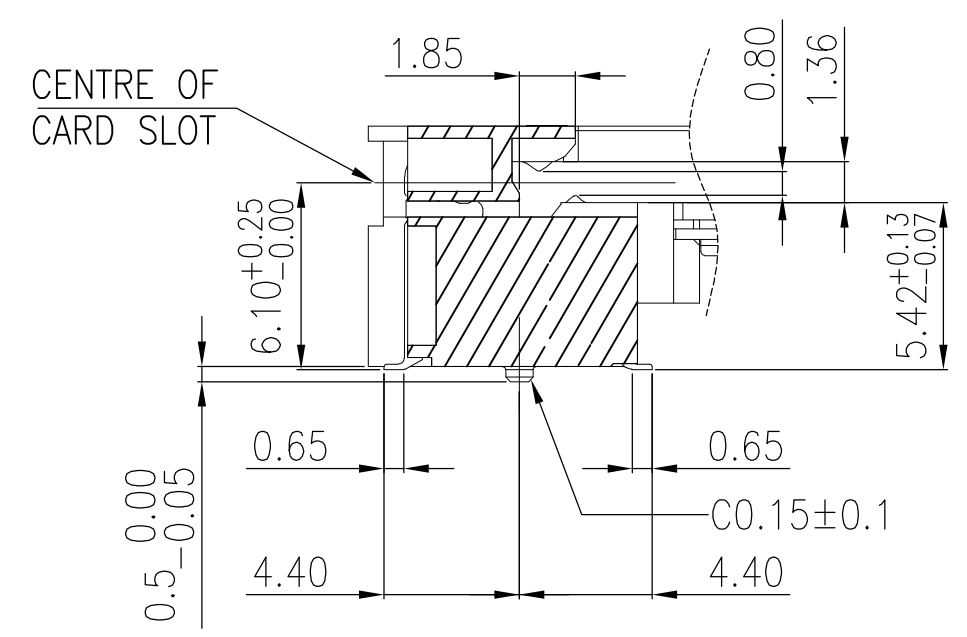
REVISIONS					
P	LTR	DESCRIPTION	DATE	DWN	APVD
3		REVISED	18FEB2017	D.Z	S.L



- NOTES:
- MATERIAL:
    - HOUSING: HIGH TEMPERATURE THERMO PLASTIC,UL94V-0,COLOR:BLACK.
    - CONTACT: COPPER ALLOY.
    - SOLDER PEG AND LATCH:STAINLESS STEEL.
  - FINISH:
    - SOLDER PEG: GOLD FLASH ON 50u" MIN NICKEL UNDERPLATED ALL OVER.
    - CONTACT SOLDER AREA: GOLD FLASH ON SOLDER TAIL.
    - CONTACT AREA: GOLD FLASH ON 50u" MIN NICKEL UNDERPLATED ALL OVER.
    - CONTACT AREA: 5u" ON 50u" MIN NICKEL UNDERPLATED ALL OVER.
    - CONTACT AREA: 10u" ON 50u" MIN NICKEL UNDERPLATED ALL OVER.
    - CONTACT AREA: 15u" ON 50u" MIN NICKEL UNDERPLATED ALL OVER.
    - CONTACT AREA: 30u" ON 50u" MIN NICKEL UNDERPLATED ALL OVER.
  - COPLANARITY: 0.10 MAX. (BEFORE SOLDERING)



MATING: ① INSERTING(30°) → ② ROTATING → ③ FIXED  
 UNMATING: ④ UNFIXED → ⑤ ROTATING → ⑥ WITHDRAWING

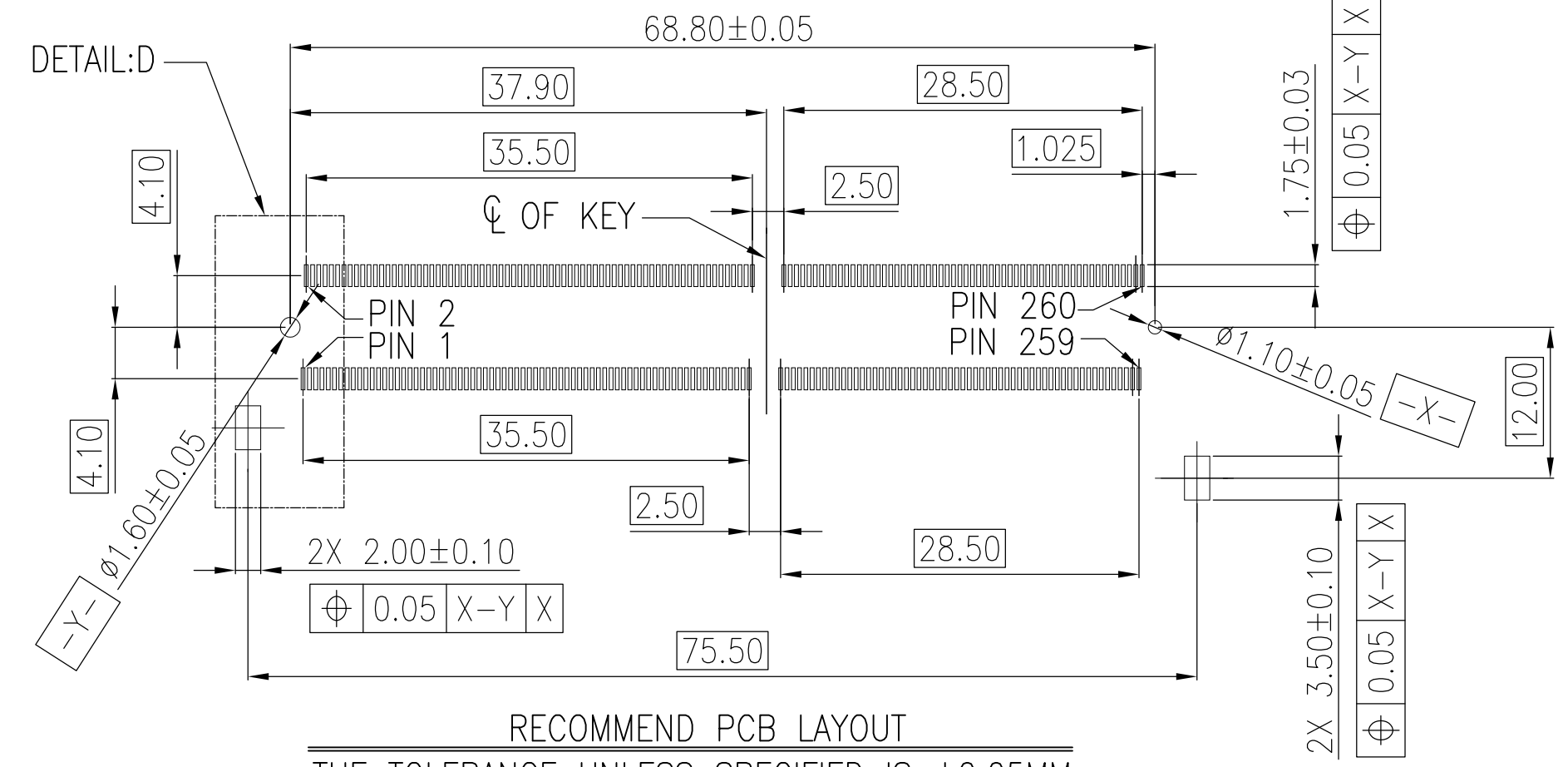
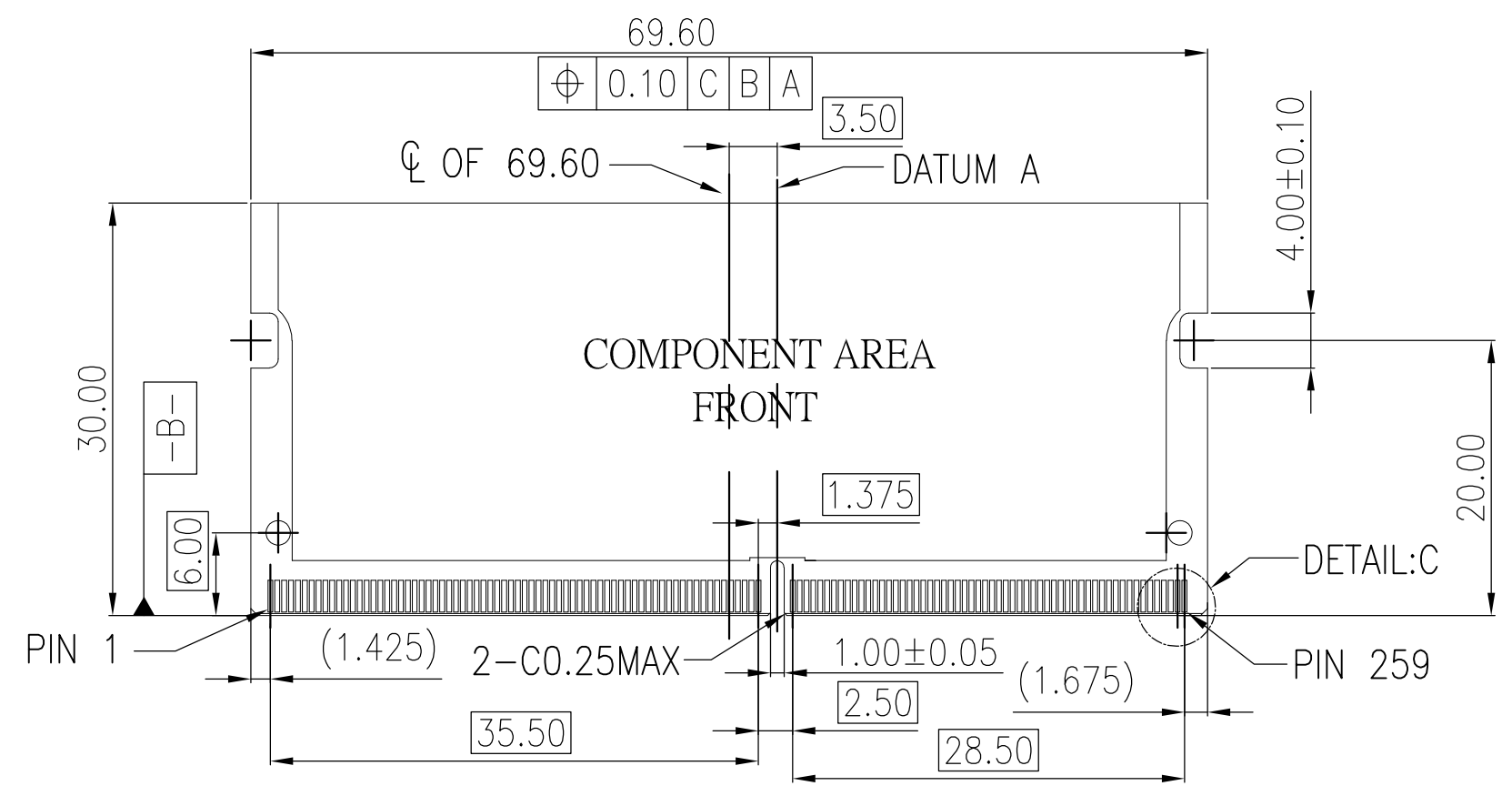


SECTION:A-A  
SCALE 2:1

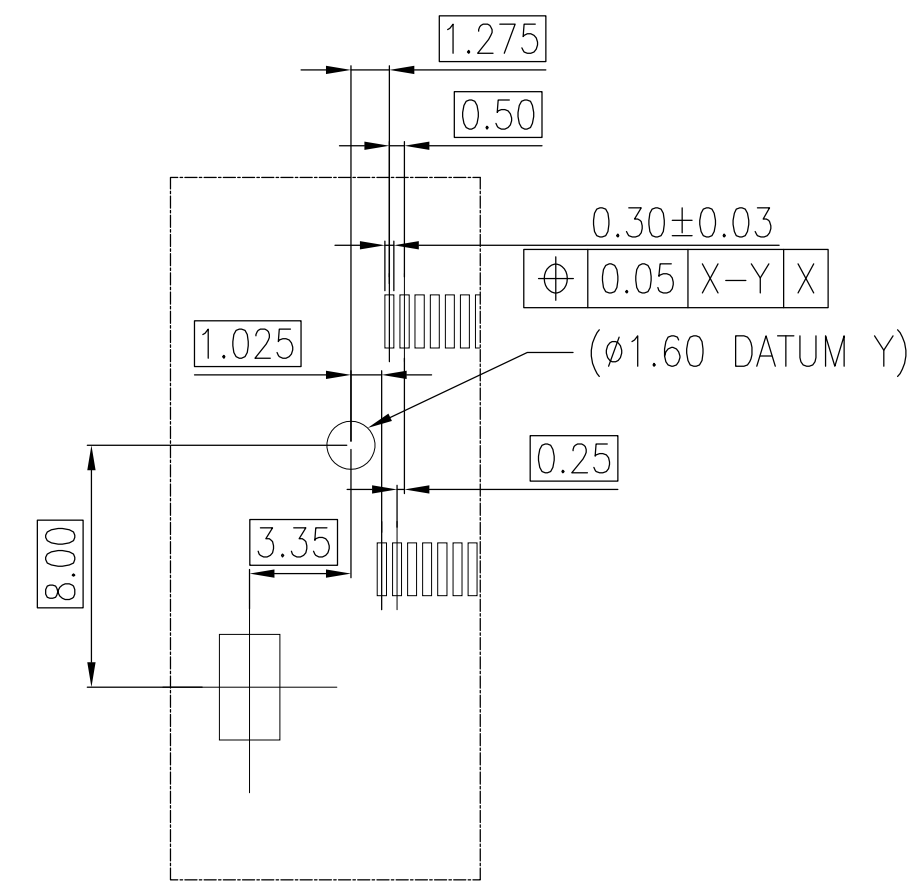
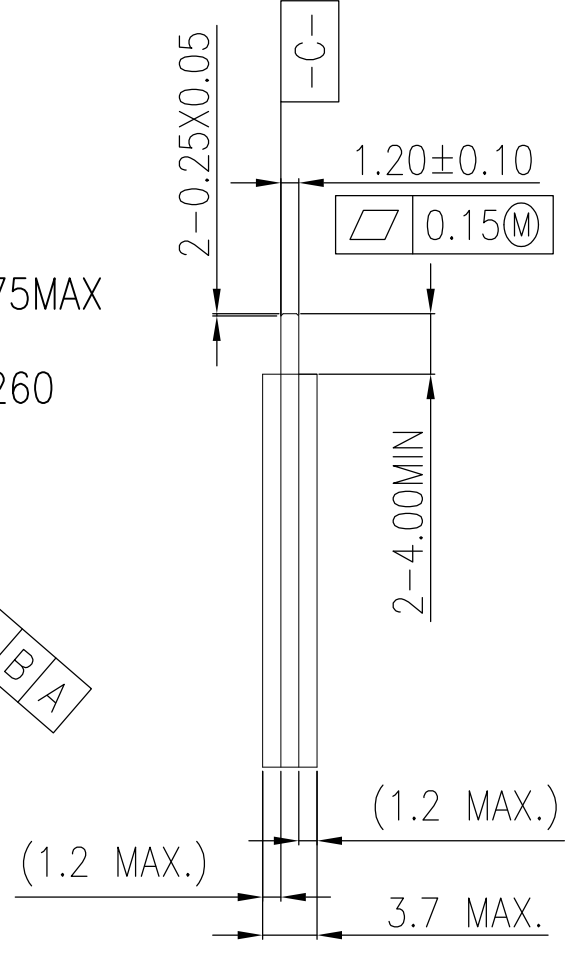
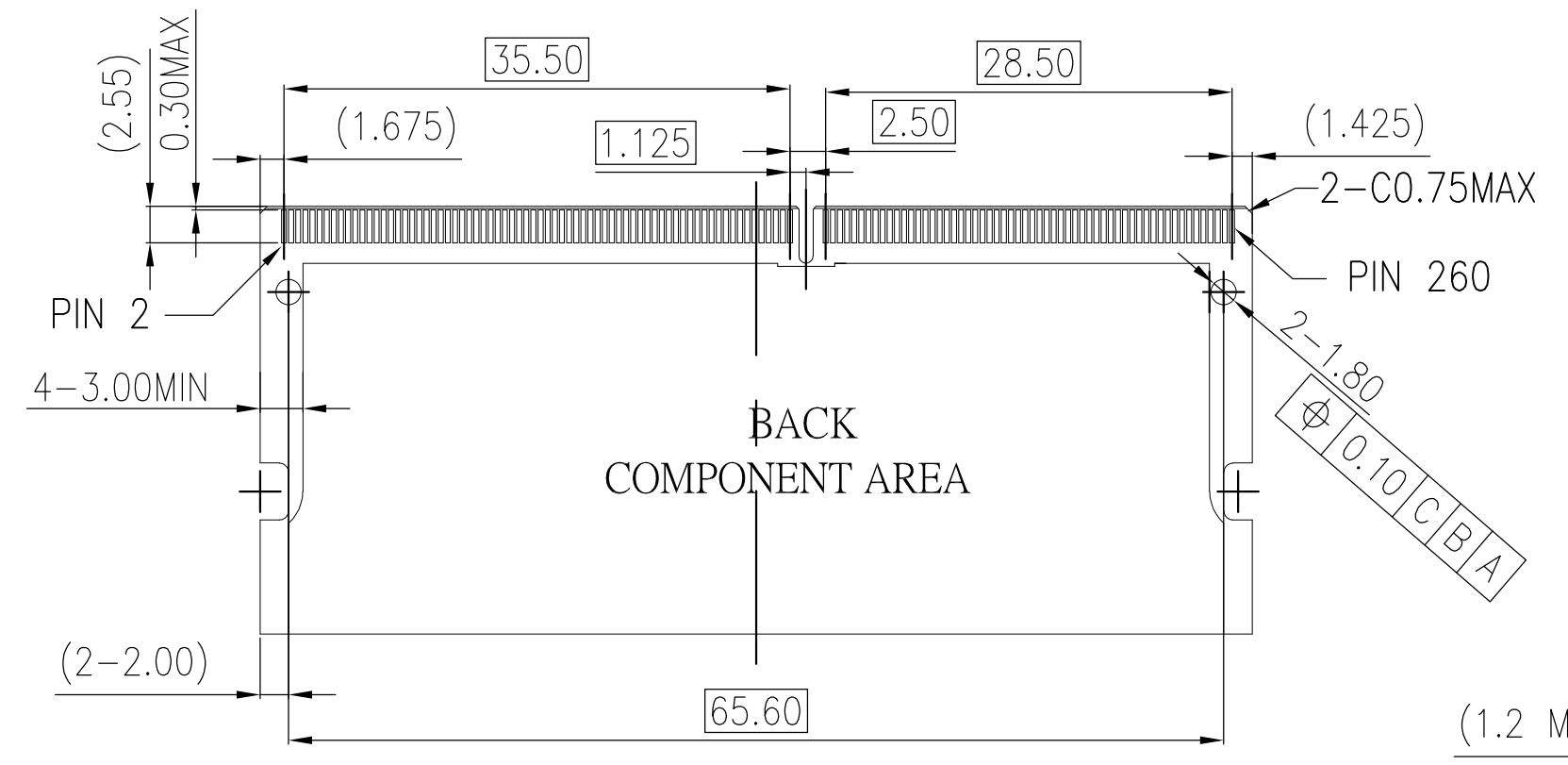
TAPE&REEL	BLACK	1.2V	30u"	260	2309412-5
TAPE&REEL	BLACK	1.2V	15u"	260	2309412-4
TAPE&REEL	BLACK	1.2V	10u"	260	2309412-3
TAPE&REEL	BLACK	1.2V	5u"	260	2309412-2
TAPE&REEL	BLACK	1.2V	GF	260	2309412-1
PACKING TYPE	HOUSING COLOR	POWER SUPPLY	FINISH	POS	PART NO.

THIS DRAWING IS A CONTROLLED DOCUMENT.		DWN DAVID ZHAO 09SEP2016			
DIMENSIONS: mm		CHK RICHARD MA 09SEP2016			
TOLERANCES UNLESS OTHERWISE SPECIFIED:		APVD SIMON LI 09SEP2016	NAME		
0 PLC ± -		PRODUCT SPEC	DDR4 SODIMM SOCKET		
1 PLC ± 0.25		APPLICATION SPEC	0.5mm PITCH 260POS		
2 PLC ± 0.15			8.0mm HEIGHT REVERSE TYPE		
3 PLC ± 0.10			SIZE	CAGE CODE	DRAWING NO
4 PLC ± -			A2	00779	C=2309412
ANGLES ± -			RESTRICTED TO		
FINISH		WEIGHT	-		
MATERIAL		CUSTOMER DRAWING	SCALE 1:1	SHEET 1 of 3	REV 3

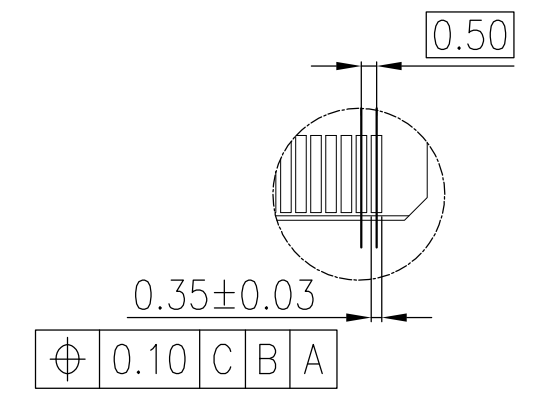
REVISIONS					
P	LTR	DESCRIPTION	DATE	DWN	APVD
-	-		-	-	-



RECOMMEND PCB LAYOUT  
 THE TOLERANCE UNLESS SPECIFIED IS ±0.05MM



DETAIL:D  
 SCALE 2:1



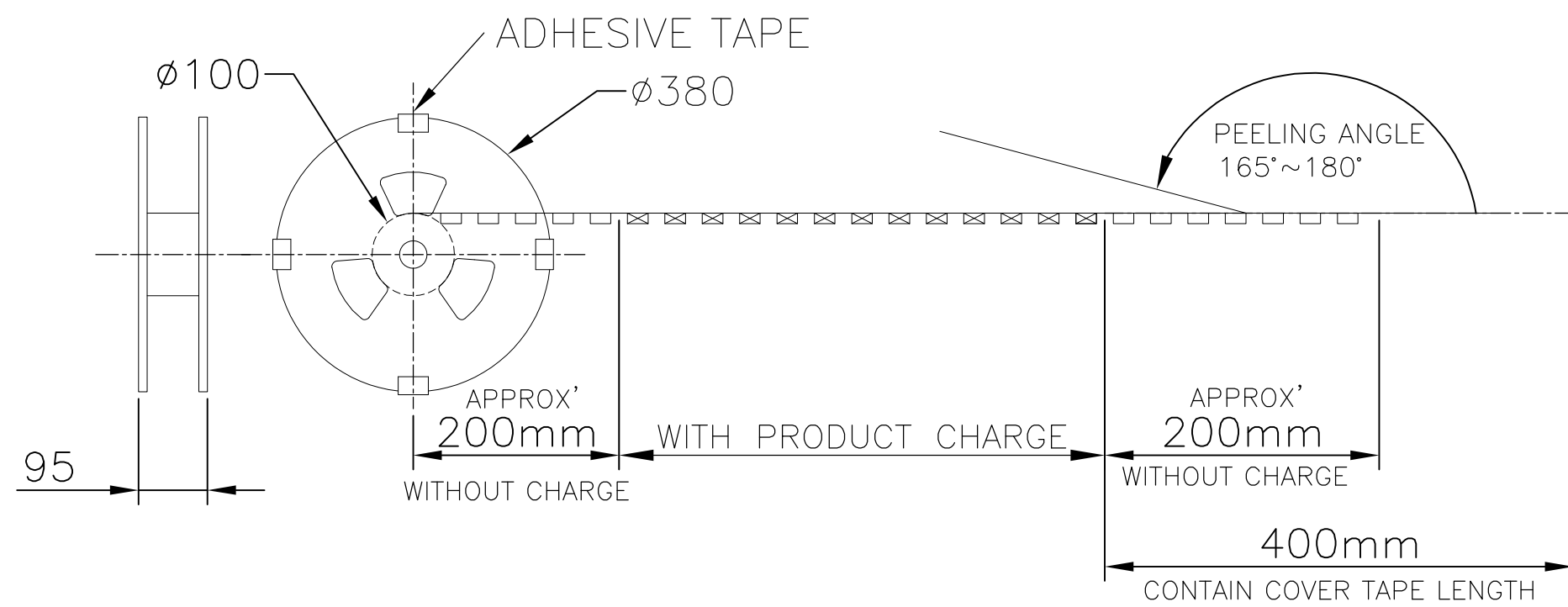
DETAIL:C  
 SCALE 2:1

THIS DRAWING IS A CONTROLLED DOCUMENT.		DWN DAVID ZHAO 09SEP2016		TE Connectivity		
DIMENSIONS: mm		CHK RICHARD MA 09SEP2016		NAME		
TOLERANCES UNLESS OTHERWISE SPECIFIED:		APVD SIMON LI 09SEP2016		DDR4 SODIMM SOCKET		
0 PLC ±		PRODUCT SPEC		0.5mm PITCH 260POS		
1 PLC ±		APPLICATION SPEC	8.0mm HEIGHT REVERSE TYPE			
2 PLC ±		WEIGHT	SIZE A2	CAGE CODE 00779	DRAWING NO C=2309412	RESTRICTED TO
3 PLC ±		CUSTOMER DRAWING	SCALE 1:1	SHEET 2 of 3	REV 3	
4 PLC ±						
ANGLES ±						
FINISH						

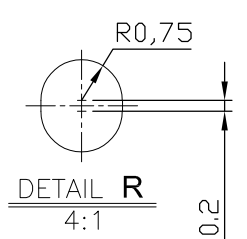
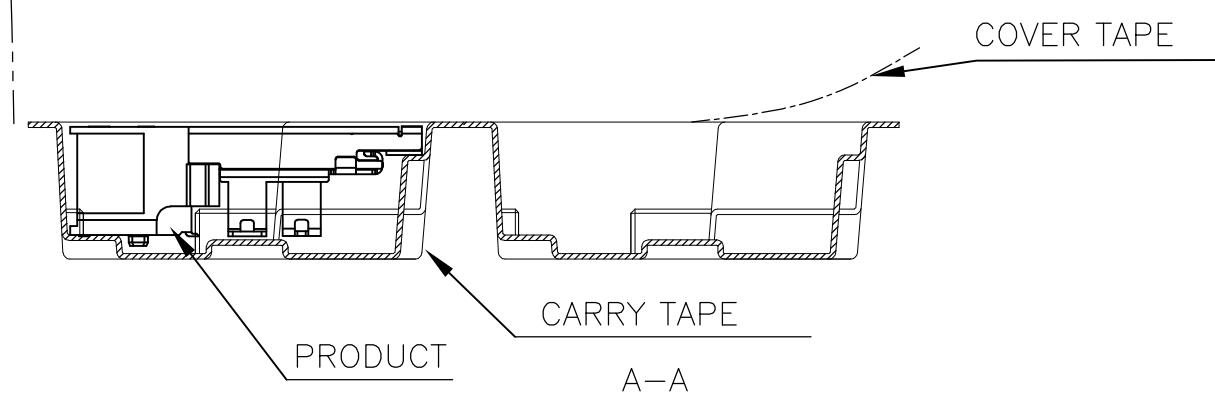
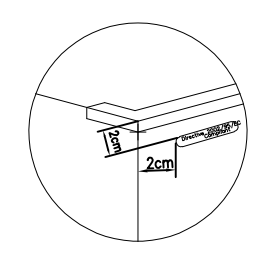
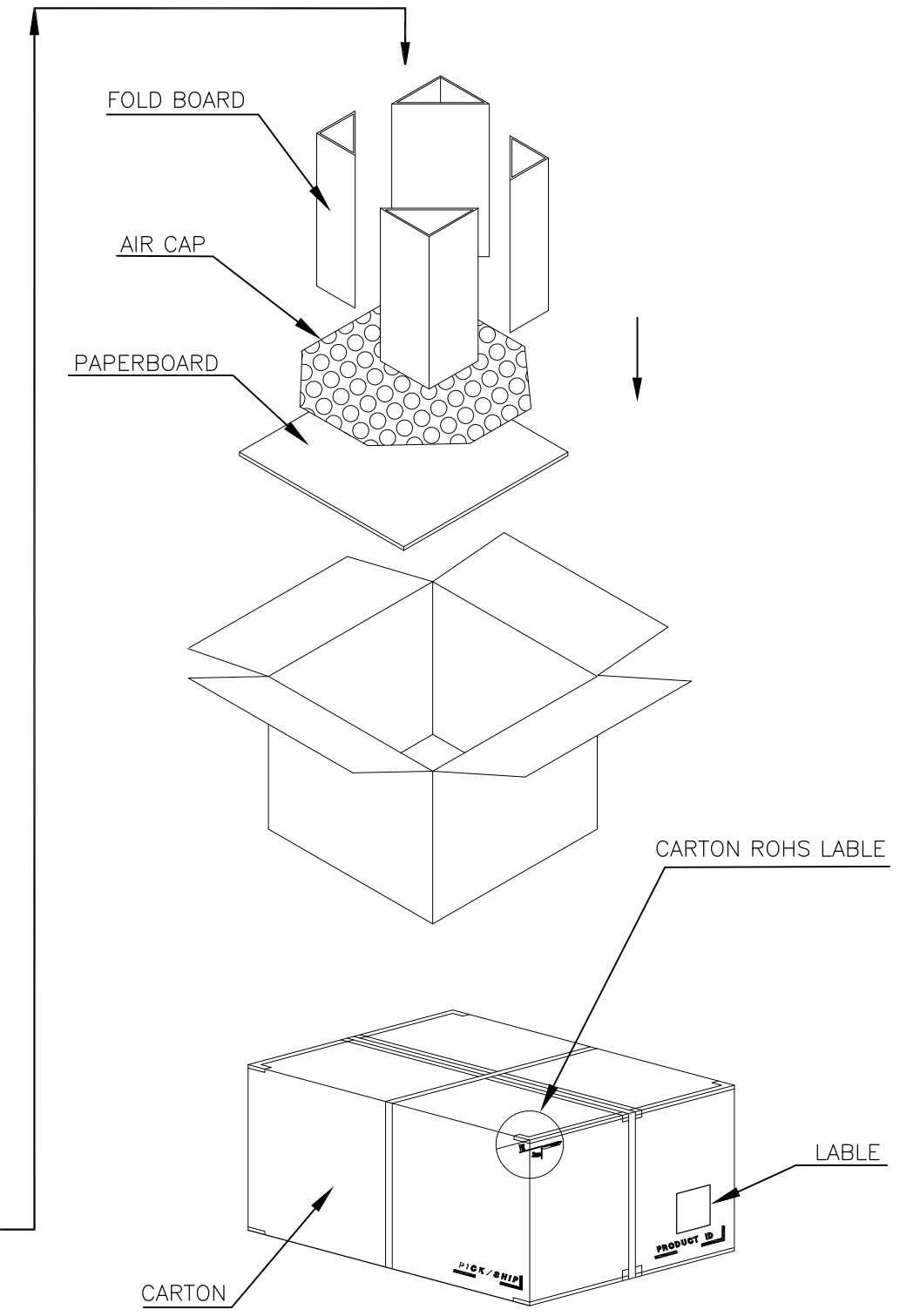
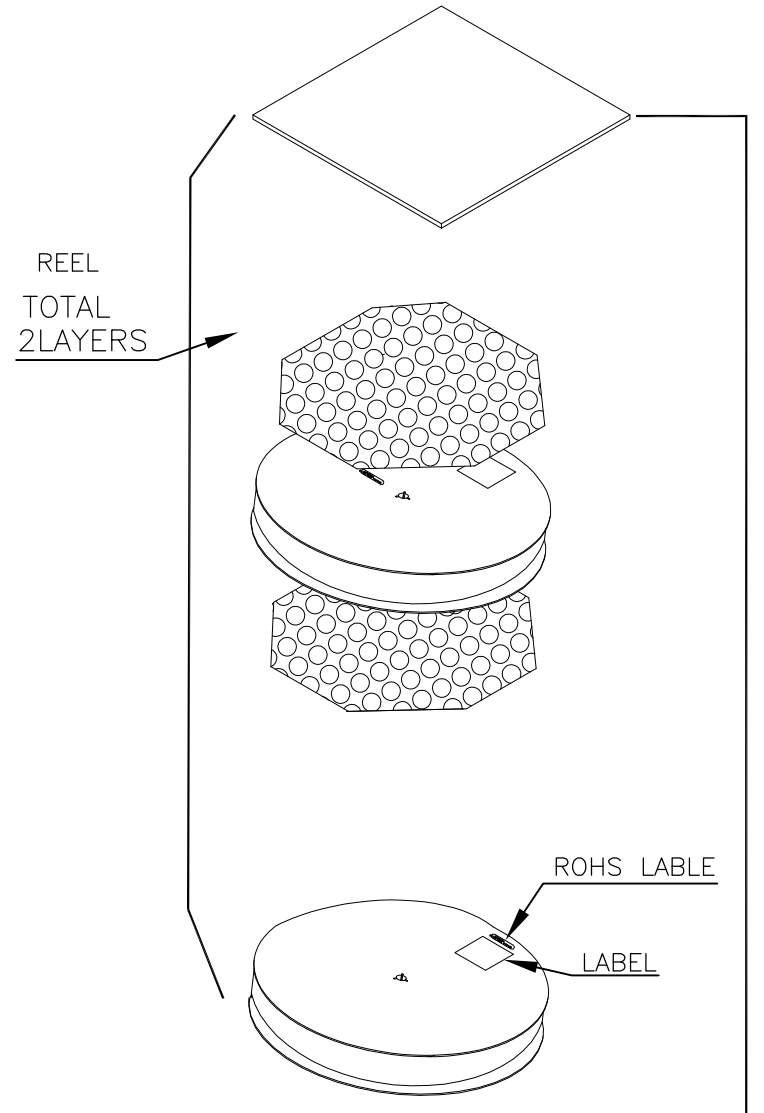
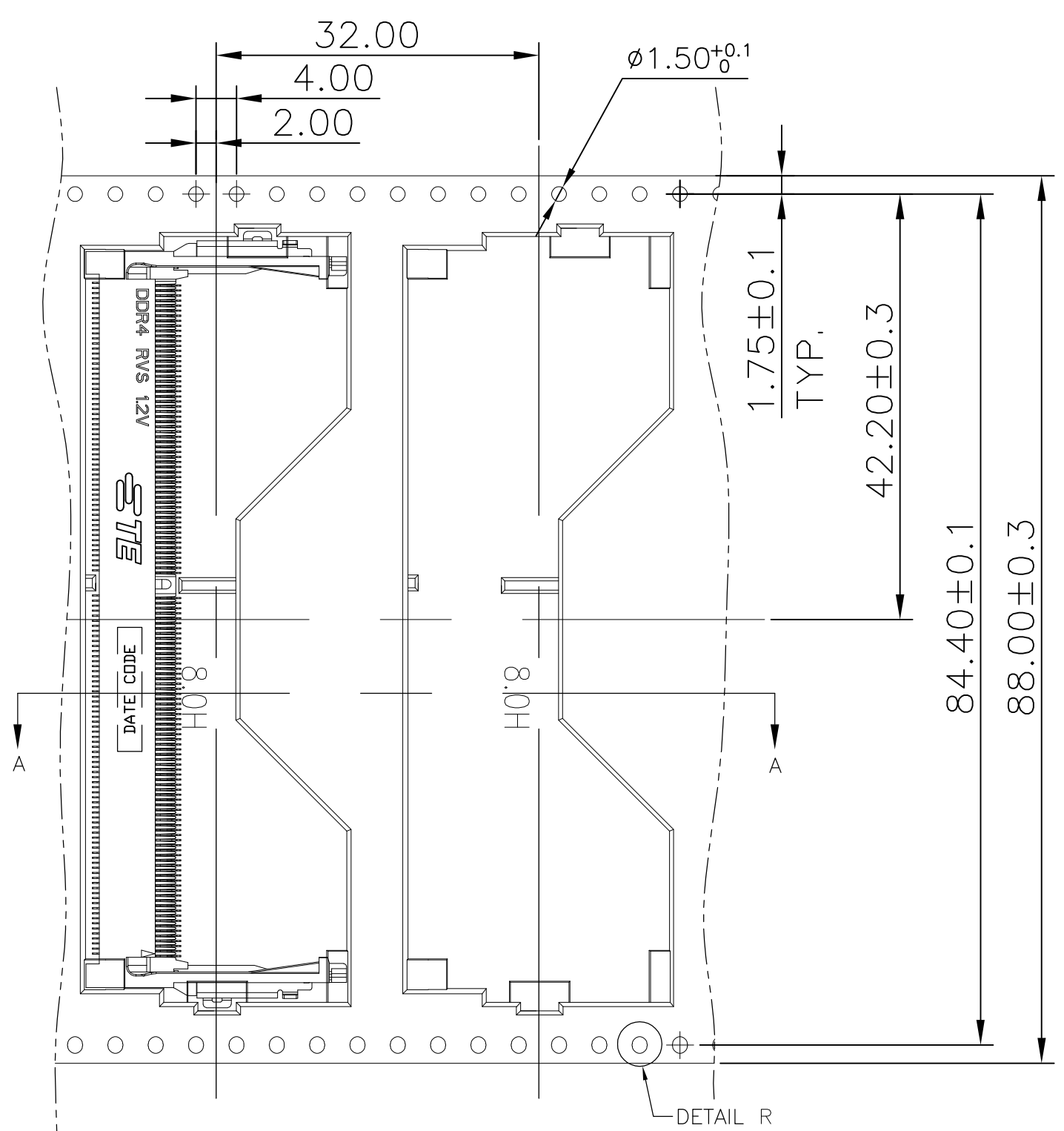


THIS DRAWING IS UNPUBLISHED. RELEASED FOR PUBLICATION  
 © COPYRIGHT 2016 By TE connectivity ALL RIGHTS RESERVED.

REVISIONS					
P	LTR	DESCRIPTION	DATE	DWN	APVD
-	-		-	-	-



PULL OUT DIRECTION →



250	2	500	*-2309412-*
PCS/ REEL	REEL/ CARTON	PCS/ CARTON	PART NUMBER

THIS DRAWING IS A CONTROLLED DOCUMENT.		DWN DAVID ZHAO 09SEP2016	TE Connectivity	
DIMENSIONS: mm		CHK RICHARD MA 09SEP2016	NAME	
TOLERANCES UNLESS OTHERWISE SPECIFIED		APVD SIMON LI 09SEP2016	PRODUCT SPEC	
0 PLC ±		APPLICATION SPEC		
1 PLC ± -		WEIGHT		
2 PLC ± -		CUSTOMER DRAWING		
3 PLC ± -		SCALE 1:1 SHEET 3 OF 3 REV 3		
4 PLC ± -		SIZE A2 CAGE CODE 00779 C=2309412		
ANGLES ± -		RESTRICTED TO		
FINISH		-		

DDR4 SODIMM SOCKET  
 0.5mm PITCH 260POS  
 8.0mm HEIGHT REVERSE TYPE