



Chipsmall Limited consists of a professional team with an average of over 10 year of expertise in the distribution of electronic components. Based in Hongkong, we have already established firm and mutual-benefit business relationships with customers from,Europe,America and south Asia,supplying obsolete and hard-to-find components to meet their specific needs.

With the principle of “Quality Parts,Customers Priority,Honest Operation,and Considerate Service”,our business mainly focus on the distribution of electronic components. Line cards we deal with include Microchip,ALPS,ROHM,Xilinx,Pulse,ON,Everlight and Freescale. Main products comprise IC,Modules,Potentiometer,IC Socket,Relay,Connector.Our parts cover such applications as commercial,industrial, and automotives areas.

We are looking forward to setting up business relationship with you and hope to provide you with the best service and solution. Let us make a better world for our industry!



## Contact us

Tel: +86-755-8981 8866 Fax: +86-755-8427 6832

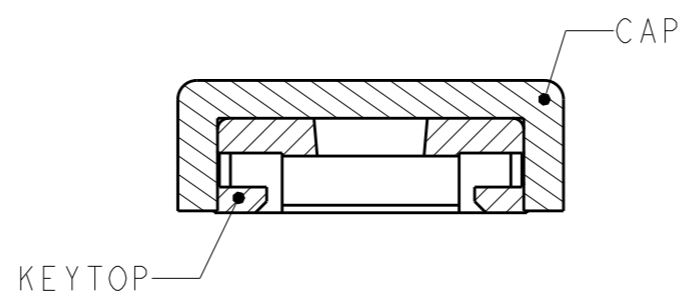
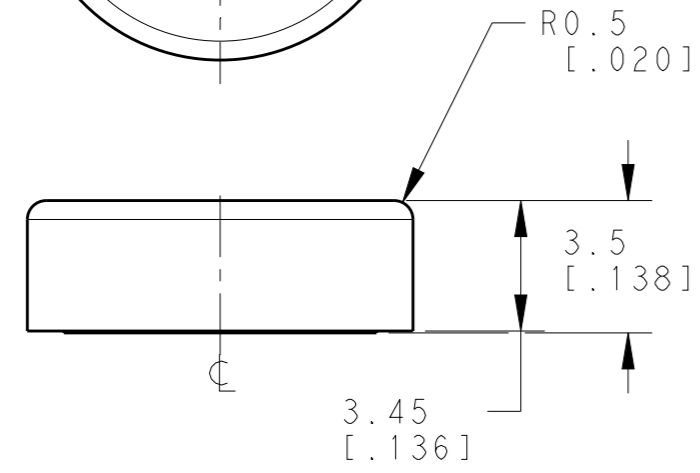
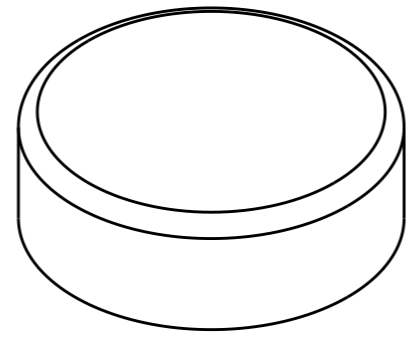
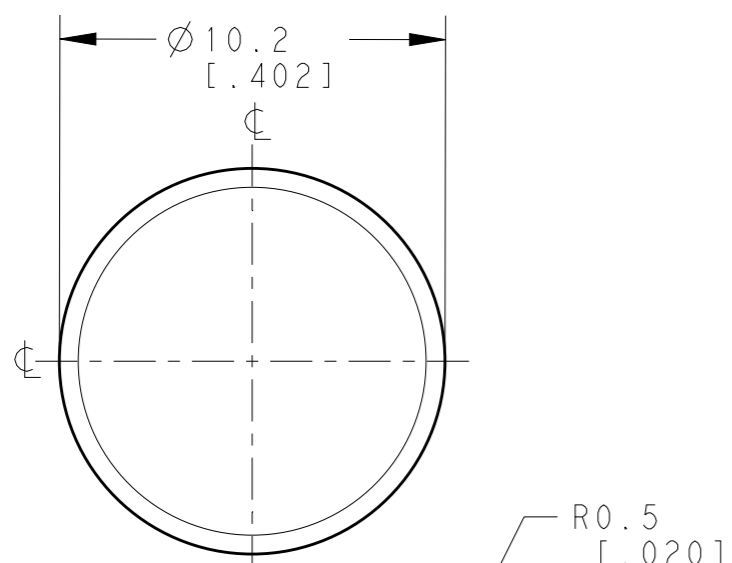
Email & Skype: info@chipsmall.com Web: www.chipsmall.com

Address: A1208, Overseas Decoration Building, #122 Zhenhua RD., Futian, Shenzhen, China

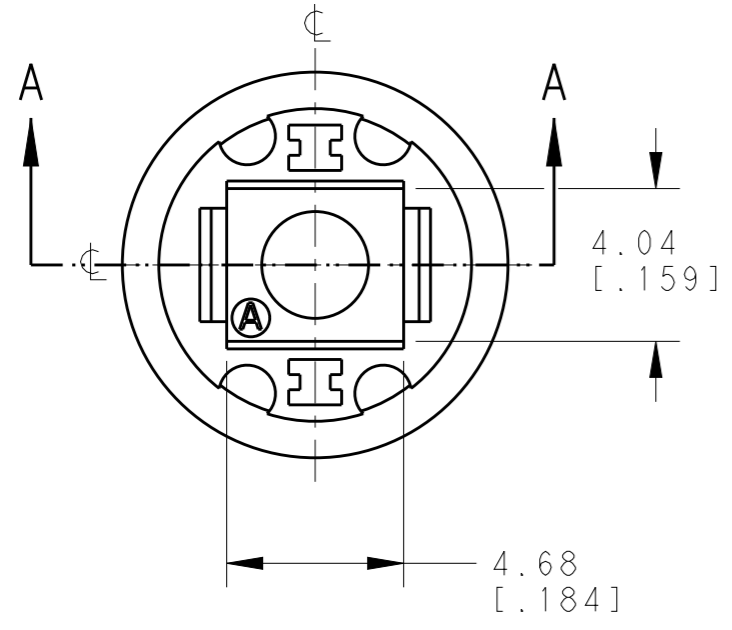


THIS DRAWING IS UNPUBLISHED. RELEASED FOR PUBLICATION 20  
 © COPYRIGHT 20 BY - ALL RIGHTS RESERVED.

REVISIONS					
P	LTR	DESCRIPTION	DATE	DWN	APVD
1		INITIAL RELEASE	27OCT2016	RK	SS
A		RELEASED TO PRODUCTION	21DEC2016	RK	SS



SECTION A-A



SPECIFICATIONS:


MATERIALS  
 CAP : THERMOPLASTIC PC  
 KEYTOP : THERMOPLASTIC ABS

ENVIRONMENTAL  
 OPERATING TEMPERATURE RANGE : -40°C TO +85°C  
 STORAGE TEMPERATURE RANGE : -40°C TO +85°C

NOTE:

1. CAPS ARE BULK PACKED IN PLASTIC BAGS. BAGS TO BE LABELED WITH THE INFORMATION DEFINED IN TEC-107-115. BAGS SHALL BE SHIPPED IN SUITABLE BOXES AS DEFINED IN TEC-107-115.
2. ALL MATERIALS AND FINISHES SHALL COMPLY WITH EU DIRECTIVE 2002/95/EC OF 27JAN2003(ROHS).
3. THESE PARTS ARE DESIGNED FOR USE WITH ILLUMINATED TACTILE SWITCHES TE P/N SERIES 2213818-X AND 2213819-X.
4. CAP SHALL BE INSTALLED AFTER SOLDERING THE ILLUMINATED TACTILE SWITCH TO PCB.

CLEAR	YELLOW	2311402-5
CLEAR	BLUE	2311402-4
CLEAR	RED	2311402-3
CLEAR	BLACK	2311402-2
CLEAR	GREEN	2311402-1
CAP	KEYTOP	TE PART NUMBER
COLOR		

THIS DRAWING IS A CONTROLLED DOCUMENT.		DWN 27OCT2016 RAGHAVENDRA K	 TE Connectivity	
DIMENSIONS: mm[inches]		CHK 27OCT2016 SANJAY S		
TOLERANCES UNLESS OTHERWISE SPECIFIED: GENERAL TOLERANCES ±0.3		APVD 27OCT2016 PETER OTT	NAME CAP FOR ILLUMINATED TACTILE SWITCH	
0 PLC ±- 1 PLC ±- 2 PLC ±- 3 PLC ±- 4 PLC ±- ANGLES ±-		PRODUCT SPEC -	APPLICATION SPEC -	
MATERIAL SEE NOTE		WEIGHT -	SIZE A3	CAGE CODE 00779
-		CUSTOMER DRAWING	DRAWING NO C-2311402	RESTRICTED TO -
-		FINISH -	SCALE 5:1	SHEET 1 OF 1
-			REV A	