



Chipsmall Limited consists of a professional team with an average of over 10 year of expertise in the distribution of electronic components. Based in Hongkong, we have already established firm and mutual-benefit business relationships with customers from,Europe,America and south Asia,supplying obsolete and hard-to-find components to meet their specific needs.

With the principle of “Quality Parts,Customers Priority,Honest Operation,and Considerate Service”,our business mainly focus on the distribution of electronic components. Line cards we deal with include Microchip,ALPS,ROHM,Xilinx,Pulse,ON,Everlight and Freescale. Main products comprise IC,Modules,Potentiometer,IC Socket,Relay,Connector.Our parts cover such applications as commercial,industrial, and automotives areas.

We are looking forward to setting up business relationship with you and hope to provide you with the best service and solution. Let us make a better world for our industry!



Contact us

Tel: +86-755-8981 8866 Fax: +86-755-8427 6832

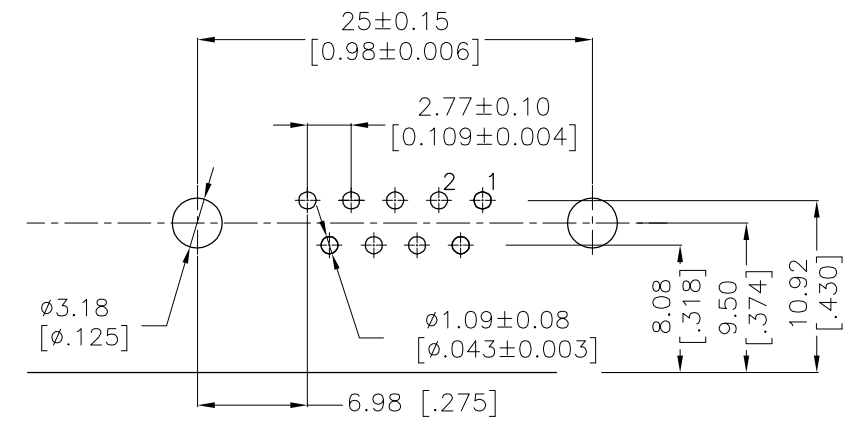
Email & Skype: info@chipsmall.com Web: www.chipsmall.com

Address: A1208, Overseas Decoration Building, #122 Zhenhua RD., Futian, Shenzhen, China



REVISIONS				
P	LTR	DESCRIPTION	DATE	APVD
D		REVISED PER ECO-18-008015	24MAY2018	AP DG

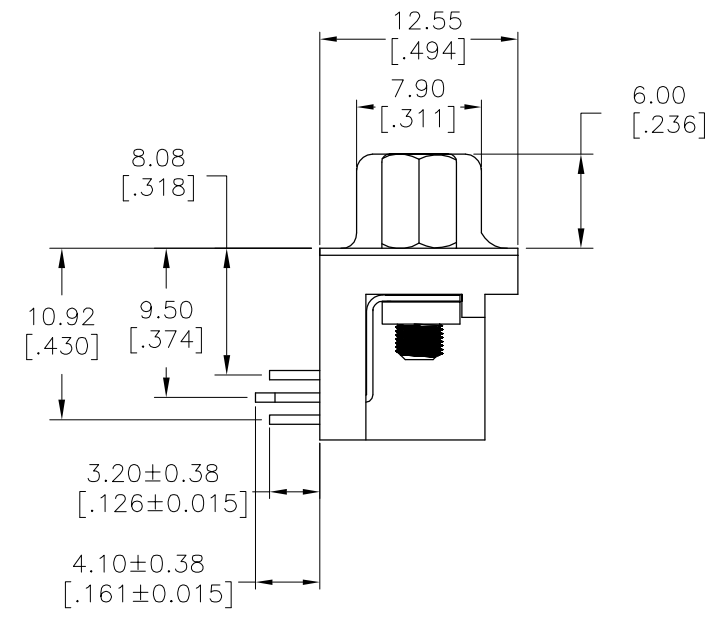
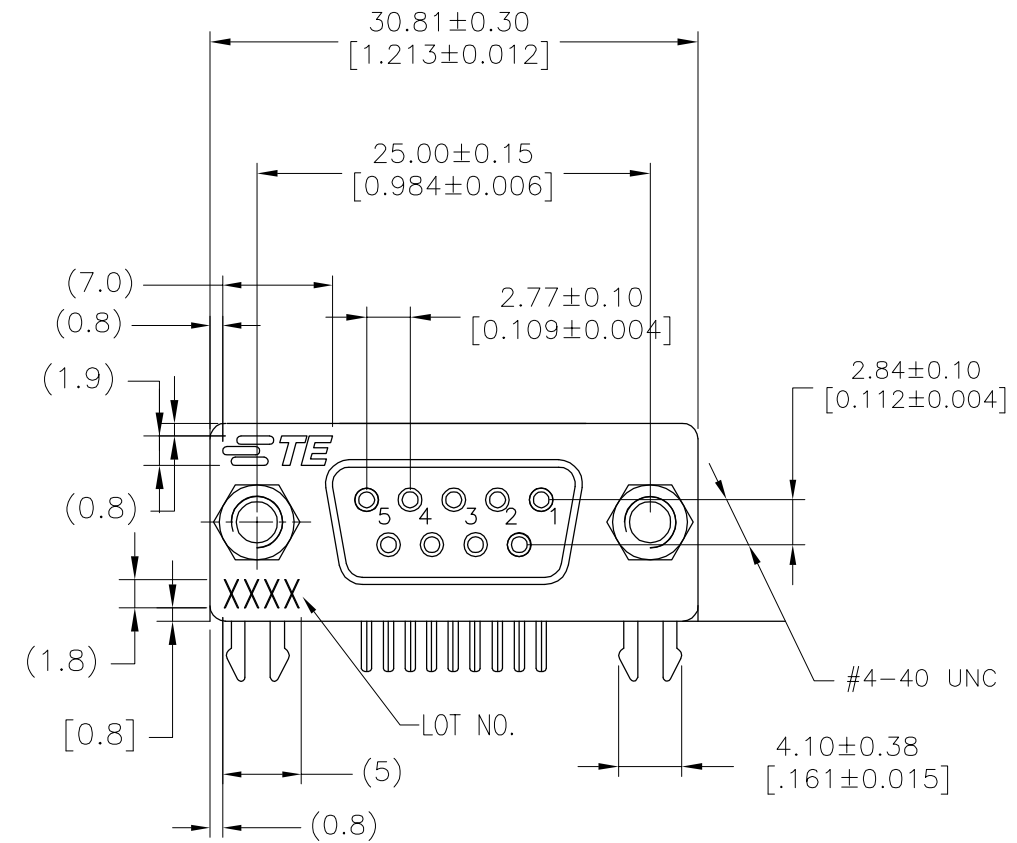
RECOMMENDED PCB LAYOUT
 TOLERANCE IS ±0.05



NOTES:

- HOUSING:PA9T+GF(UL94V-0) BLACK
- CONTACT:PHOSPHOR BRONZE
- " GOLD PLATING ON CONTACT AREA
- 100u" MATTE TIN PLATING ON SOLDERTAIL
- 50u" NICKEL UNDERPLATED OVERALL
- HOLDDOWN:BRASS,100u" TIN OVER 50u" NICKEL
- SHELL:SPCC,NICKEL PLATED
- RIVET:BRASS,NICKEL PLATED
- SCREWLOCK:BRASS,NI PLATED

LOT NUMBER "XXXX"
 STANDS FOR CALENDAR YEAR
 STANDS FOR WEEK NUMBER



YES	15µ" Au	2311765-2
YES	Au Flash	2311765-1
SCREWLOCK	Contact Area Plating	P/N

THIS DRAWING IS A CONTROLLED DOCUMENT.		DWN AJITH PAI 22FEB2017	TE Connectivity	
DIMENSIONS: mm [INCHES]		CHK DANIEL GORENC 22FEB2017		
TOLERANCES UNLESS OTHERWISE SPECIFIED:		APVD DANIEL GORENC 22FEB2017	NAME AMPLIMITE RECEPTACLE, HD20, RIGHT ANGLE, 9P	
0 PLC ± - 1 PLC ± - 2 PLC ± 0.25 3 PLC ± - 4 PLC ± - ANGLES ± - FINISH -		PRODUCT SPEC 108-130023	APPLICATION SPEC	
MATERIAL		WEIGHT	SIZE A2	CAGE CODE 00779
		CUSTOMER DRAWING	DRAWING NO C-2311765	RESTRICTED TO
		SCALE 3:1	SHEET 1 of 1	REV D