



Chipsmall Limited consists of a professional team with an average of over 10 year of expertise in the distribution of electronic components. Based in Hongkong, we have already established firm and mutual-benefit business relationships with customers from,Europe,America and south Asia,supplying obsolete and hard-to-find components to meet their specific needs.

With the principle of “Quality Parts,Customers Priority,Honest Operation,and Considerate Service”,our business mainly focus on the distribution of electronic components. Line cards we deal with include Microchip,ALPS,ROHM,Xilinx,Pulse,ON,Everlight and Freescale. Main products comprise IC,Modules,Potentiometer,IC Socket,Relay,Connector.Our parts cover such applications as commercial,industrial, and automotives areas.

We are looking forward to setting up business relationship with you and hope to provide you with the best service and solution. Let us make a better world for our industry!



Contact us

Tel: +86-755-8981 8866 Fax: +86-755-8427 6832

Email & Skype: info@chipsmall.com Web: www.chipsmall.com

Address: A1208, Overseas Decoration Building, #122 Zhenhua RD., Futian, Shenzhen, China



Modem - PSI-MODEM-SHDSL/PB - 2313656

Please be informed that the data shown in this PDF Document is generated from our Online Catalog. Please find the complete data in the user's documentation. Our General Terms of Use for Downloads are valid (<http://phoenixcontact.com/download>)



Industrial PROFIBUS extender, for point-to-point connections, linear structures, and mixed operation with repeaters and fiber optic converters. Distances of up to 20 km, PROFIBUS data rates of up to 1.5 Mbps via simple copper wires, such as in-house phone lines.

Product Features

- Distances up to 20 km
- Robust modulation method (SHDSL)
- Mixed operation of copper cables and fiber optics
- The free software calculates the PROFIBUS data rate and the slot time
- For in-house cables
- Linear structure up to 500 kbps
- Point-to-point connection up to 1.5 Mbps



Key commercial data

Packing unit	1 pc
Weight per Piece (excluding packing)	340.0 GRM
Custom tariff number	85176200
Country of origin	Germany

Technical data

Note

Utilization restriction	EMC: class A product, see manufacturer's declaration in the download area
-------------------------	---

Dimensions

Width	35 mm
Height	99 mm
Depth	114.5 mm

Modem - PSI-MODEM-SHDSL/PB - 2313656

Technical data

Ambient conditions

Ambient temperature (operation)	-20 °C ... 60 °C (for derating, see technical documentation)
Ambient temperature (storage/transport)	-40 °C ... 85 °C
Permissible humidity (operation)	10 % ... 95 % (non-condensing)
Permissible humidity (storage/transport)	10 % ... 95 % (non-condensing)
Altitude	5000 m (For restrictions see manufacturer's declaration)
Degree of protection	IP20

General

Electrical isolation	DIN EN 50178 (VCC // PROFIBUS // DSL (A) // DSL (B))
Test voltage data interface/power supply	1.5 kV _{rms} (50 Hz, 1 min.)
Electromagnetic compatibility	Conformance with EMC Directive 2004/108/EC
Net weight	183 g
Housing material	PA 6.6-FR
Color	green
MTBF	1004 Years (Telcordia standard, 25°C temperature, 21% operating cycle (5 days a week, 8 hours a day)) 199 Years (Telcordia standard, 40°C temperature, 34.25% operating cycle (5 days a week, 12 hours a day))
MTTF	800 Years (SN 29500 standard, temperature 25°C, operating cycle 21 % (5 days a week, 8 hours a day)) 346 Years (SN 29500 standard, temperature 40 °C, operating cycle 34.25 % (5 days a week, 12 hours a day)) 140 Years (SN 29500 standard, temperature 40°C, operating cycle 100 % (7 days a week, 24 hours a day))
Conformance	CE-compliant
ATEX	# II 3 G Ex nA IIC T4 Gc X (Please follow the special installation instructions in the documentation!)
UL, USA / Canada	cULus listed UL 508

Power supply

Nominal supply voltage	24 V DC ±5 % (as an alternative or redundant, via backplane bus contact and system current supply) 5 V DC (configuration only, via mini-USB type B)
Supply voltage range	18 V DC ... 30 V DC
Typical current consumption	< 180 mA (24 V DC)
Connection method	COMBICON plug-in screw terminal block

Serial interface

Interface 1	PROFIBUS acc. to IEC 61158, RS-485 2-wire, half duplex, automatic control
Operating mode	Semi-duplex
Connection method	D-SUB-9 female connector

Modem - PSI-MODEM-SHDSL/PB - 2313656

Technical data

Serial interface

File format/coding	UART (11 Bit, NRZ)
Data direction switching	Automatic control
Transmission length	max. 1200 m (depending on the data rate, with shielded, twisted pair data cable)
Conductor cross section solid min.	0.2 mm ²
Conductor cross section solid max.	2.5 mm ²
Conductor cross section stranded min.	0.2 mm ²
Conductor cross section stranded max.	2.5 mm ²
Conductor cross section AWG/kcmil min.	24
Conductor cross section AWG/kcmil max	13
Serial transmission speed	9.6/19.2/45.45/93.75/187.5/500/1500 kbps, set via configuration software
Interface 2	SHDSL interface according to ITU-T G.991.2.bis
Connection method	2 x 2-pos. COMBICON plug-in screw terminal blocks
Transmission length	up to 20 km (Depending on data rate and cable cross section)
Serial transmission speed	4-wire operation: 64 kbps ... 30 Mbps
	2-wire operation: 32 kbps ... 15.3 Mbps
Interface 3	USB 2.0
Connection method	Mini-USB type B, 5-pos.
Transmission length	max. 5 m (only for configuration and diagnostics)

Function

Management	User-friendly software: Guided configuration, plausibility checks, diagnostic functions, log book
Status and diagnostic indicators	LEDs: VCC (supply voltage), RD/TD (PROFIBUS data traffic), ERR (errors) 2 x LINK / 2 x STAT (DSL data traffic port A and port B), DIAG (diagnostic messages)

Digital outputs

Output name	Digital output
Number of outputs	2
Voltage output signal	depending on the operating voltage
Current output signal	≤ 150 mA (Short-circuit-proof)
Behavior of the outputs	Deactivated for device supply via T-BUS

Classifications

eCl@ss

eCl@ss 4.0	27240490
eCl@ss 4.1	27240490

Modem - PSI-MODEM-SHDSL/PB - 2313656

Classifications

eCl@ss

eCl@ss 5.0	27242208
eCl@ss 5.1	27242208
eCl@ss 6.0	27242208
eCl@ss 7.0	27242208
eCl@ss 8.0	19060501

ETIM

ETIM 2.0	EC000310
ETIM 3.0	EC000740
ETIM 4.0	EC000740
ETIM 5.0	EC000740

UNSPSC

UNSPSC 6.01	30211506
UNSPSC 7.0901	39121008
UNSPSC 11	39121008
UNSPSC 12.01	39121008
UNSPSC 13.2	43201553

Approvals

Approvals

Approvals


UL Listed / cUL Listed / UL Listed / cUL Listed / cULus Listed

Ex Approvals

ATEX / ATEX

Approvals submitted

Approval details

UL Listed 

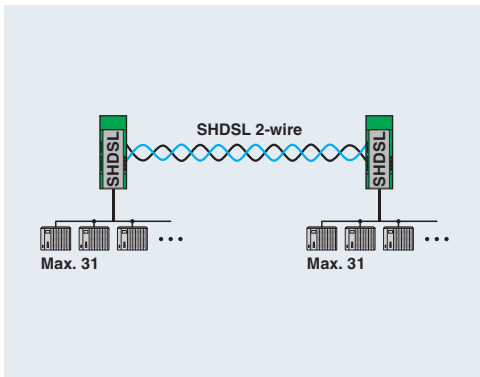
Modem - PSI-MODEM-SHDSL/PB - 2313656

Approvals



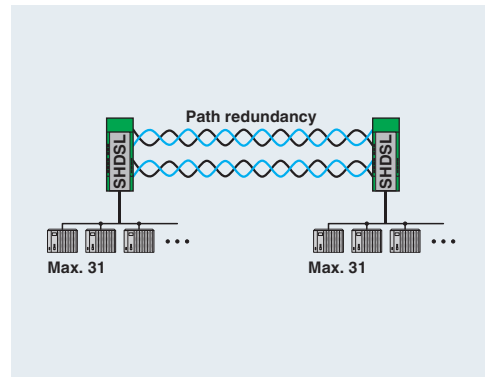
Drawings

Application drawing



Point-to-point connection (2-wire)

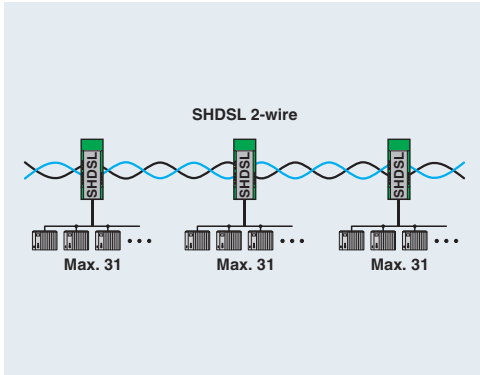
Application drawing



Point-to-point connection (4-wire)

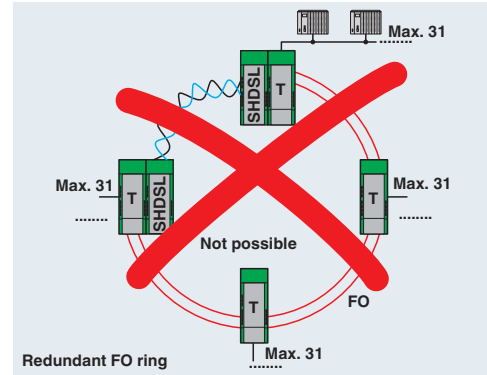
Modem - PSI-MODEM-SHDSL/PB - 2313656

Application drawing



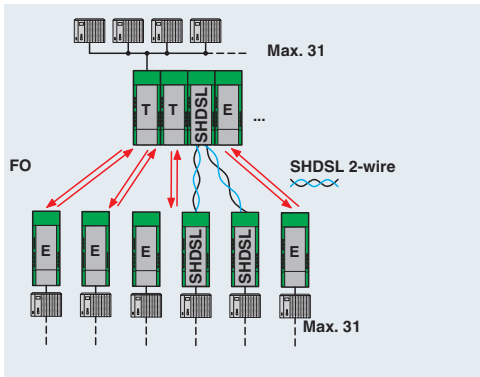
Linear structure (2-wire)

Application drawing



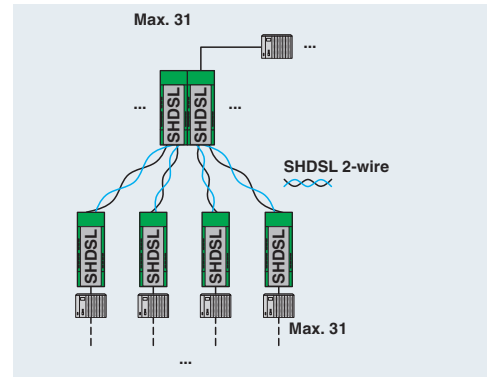
SHDSL subsection in fiber optic ring not supported

Application drawing



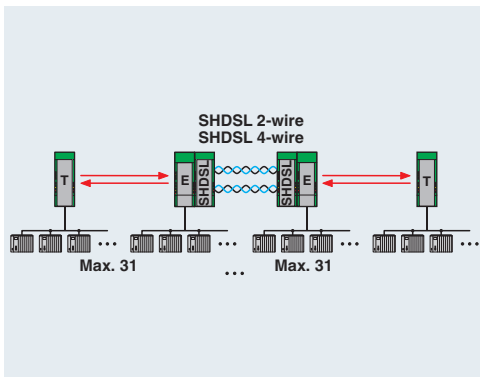
Star structure: mixed operation with repeaters and FO converters

Application drawing



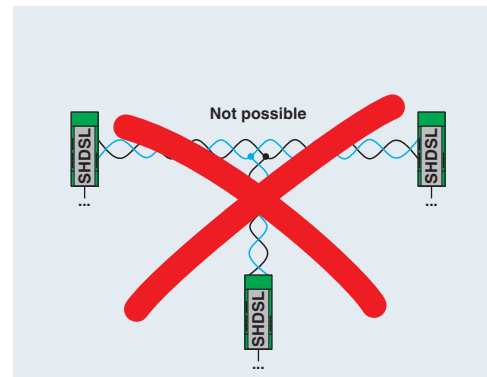
Star structure via DIN rail connector

Application drawing



Linear structure: mixed operation with repeaters and FO converters

Application drawing



Multipoint communication via SHDSL not supported

