



Chipsmall Limited consists of a professional team with an average of over 10 year of expertise in the distribution of electronic components. Based in Hongkong, we have already established firm and mutual-benefit business relationships with customers from,Europe,America and south Asia,supplying obsolete and hard-to-find components to meet their specific needs.

With the principle of “Quality Parts,Customers Priority,Honest Operation,and Considerate Service”,our business mainly focus on the distribution of electronic components. Line cards we deal with include Microchip,ALPS,ROHM,Xilinx,Pulse,ON,Everlight and Freescale. Main products comprise IC,Modules,Potentiometer,IC Socket,Relay,Connector.Our parts cover such applications as commercial,industrial, and automotives areas.

We are looking forward to setting up business relationship with you and hope to provide you with the best service and solution. Let us make a better world for our industry!



## Contact us

Tel: +86-755-8981 8866 Fax: +86-755-8427 6832

Email & Skype: info@chipsmall.com Web: www.chipsmall.com

Address: A1208, Overseas Decoration Building, #122 Zhenhua RD., Futian, Shenzhen, China



# FB-2SP-ET

Order No.: 2316022




<http://eshop.phoenixcontact.de/phoenix/treeViewClick.do?UID=2316022>

Foundation Fieldbus and PROFIBUS PA segment protection with Trunk In and Trunk Out connections (preinstalled mechanical terminator) and additional terminal connections for 2 spurs connected to fieldbus end devices.



## Commercial data

GTIN (EAN)	 4 046356 298704
sales group	H681
Pack	1 pcs.
Customs tariff	85176200
Catalog page information	Page 500 (IF-2009)

<http://www.download.phoenixcontact.com>  
Please note that the data given here has been taken from the online catalog. For comprehensive information and data, please refer to the user documentation. The General Terms and Conditions of Use apply to Internet downloads.

## Technical data

### Serial interface

Interface 1	Foundation Fieldbus and PROFIBUS PA Segment
Termination resistor	100 Ω, external removable connector included
Type of connection	Pluggable COMBICON screw connection for each spur
Conductor cross section solid min.	0.2 mm <sup>2</sup>
Conductor cross section solid max.	2.5 mm <sup>2</sup>
Conductor cross section stranded min.	0.2 mm <sup>2</sup>

Conductor cross section stranded max.	2.5 mm <sup>2</sup>
Conductor cross section AWG/kcmil min.	24
Conductor cross section AWG/kcmil max	12
Interface 2	Foundation Fieldbus and PROFIBUS PA
Type of connection	Pluggable screw connection
Conductor cross section solid min.	0.2 mm <sup>2</sup>
Conductor cross section solid max.	2.5 mm <sup>2</sup>
Conductor cross section stranded min.	0.2 mm <sup>2</sup>
Conductor cross section stranded max.	2.5 mm <sup>2</sup>
Conductor cross section AWG/kcmil min.	24
Conductor cross section AWG/kcmil max	12

**Power supply**

Supply voltage range	9 V DC ... 31 V DC (input on trunk line side)
Typical current consumption	7 mA

**General data**

Width	17.5 mm
Height	98.4 mm
Depth	70.4 mm
Ambient temperature (storage/transport)	-40 °C ... 85 °C
Ambient temperature (operation)	-40 °C ... 70 °C
Standards/regulations	IEC 60529, IEC 61158-2
	NE21
	EN 61326, EN 60068-2-27, EN 60068-2-6
Degree of protection	IP20
Mounting position	horizontal DIN rail NS 35, EN 60715
Net weight	75 g
Color	green
ATEX	Ex II 3 G Ex nA [nL] IIC T4 X
UL, USA / Canada	Class I, Zone 2, Group IIC T4
	Class I, Div. 2, Groups A, B, C, D, T4

**Certificates / Approvals**

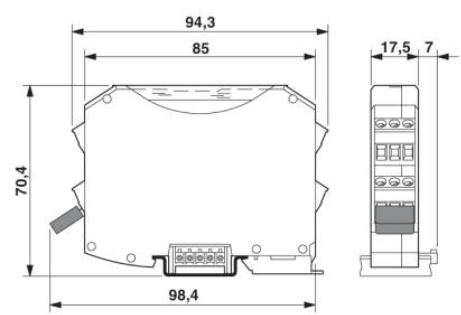
Certification Ex: CUL-EX LIS, PxC-EX, UL-EX LIS

**Accessories**

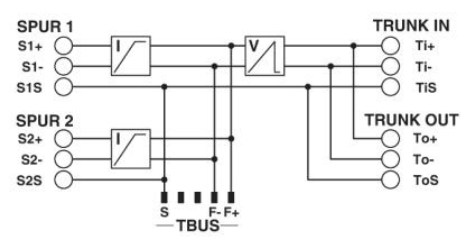
Item	Designation	Description
<b>General</b>		
2316035	FB-PS-25/0.36A	Isolated Foundation Fieldbus Power Supply with integrated Terminator. Multiple single channel modules can be installed using Phoenix Contacts TBUS connector system reducing wiring and installation costs.
2856126	PT 1X2+F-BE	Base element for protective plug PT with protective circuit for a 2-core floating signal circuit. Integrated gas arrester as coarse protection between GND and PE. Mounting on NS 35/7.5 und NS 35/15, housing width: 17.5 mm.
2856058	PT 1X2-24AC-ST	Protective plug PT with protective circuit for a 2-core floating signal circuit. Nominal voltage: 24 V AC

**Diagrams/Drawings**

Dimensioned drawing



Circuit diagram



Connection diagram: FB-2SP-ET



**Address**

PHOENIX CONTACT Deutschland GmbH  
Flachmarktstr. 8  
32825 Blomberg, Germany  
Phone +49 5235 3 12000  
Fax +49 5235 3 41200  
<http://www.phoenixcontact.de>



© 2010 Phoenix Contact  
Technical modifications reserved;