



Chipsmall Limited consists of a professional team with an average of over 10 year of expertise in the distribution of electronic components. Based in Hongkong, we have already established firm and mutual-benefit business relationships with customers from,Europe,America and south Asia,supplying obsolete and hard-to-find components to meet their specific needs.

With the principle of “Quality Parts,Customers Priority,Honest Operation,and Considerate Service”,our business mainly focus on the distribution of electronic components. Line cards we deal with include Microchip,ALPS,ROHM,Xilinx,Pulse,ON,Everlight and Freescale. Main products comprise IC,Modules,Potentiometer,IC Socket,Relay,Connector.Our parts cover such applications as commercial,industrial, and automotives areas.

We are looking forward to setting up business relationship with you and hope to provide you with the best service and solution. Let us make a better world for our industry!



Contact us

Tel: +86-755-8981 8866 Fax: +86-755-8427 6832

Email & Skype: info@chipsmall.com Web: www.chipsmall.com

Address: A1208, Overseas Decoration Building, #122 Zhenhua RD., Futian, Shenzhen, China



Power module - FB-PS-PLUG-24DC/28DC/0.5/EX - 2316132

Please be informed that the data shown in this PDF Document is generated from our Online Catalog. Please find the complete data in the user's documentation. Our General Terms of Use for Downloads are valid (<http://phoenixcontact.com/download>)



Power supply plug for fieldbus system in hazardous locations. Provides 500 mA @ 28 V DC to couplers along the trunk.



Key commercial data

Packing unit	1 pc
Weight per Piece (excluding packing)	228.0 GRM
Custom tariff number	85366990
Country of origin	United States

Technical data

Dimensions

Width	17.5 mm
Height	117.6 mm
Depth	115 mm

Ambient conditions

Degree of protection	IP20
Ambient temperature (operation)	-40 °C ... 70 °C
Ambient temperature (storage/transport)	-40 °C ... 85 °C
Max. permissible relative humidity (operation)	95 % (non-condensing)

Input data

Nominal input voltage	24 V DC
Nominal input voltage range	18.5 V DC ... 30.5 V DC
Short-term input voltage	24 V DC

Output data

Power module - FB-PS-PLUG-24DC/28DC/0.5/EX - 2316132

Technical data

Output data

Output voltage range	28 V DC ... 30 V DC (on the trunk)
Output current	500 mA (nominal trunk current)
Connection in parallel	Yes, for redundancy
Connection in series	No

General

Net weight	181 g
Assembly instructions	Plug-in connections may only be operated only when there is no load/voltage.

Signaling

Output name	Power OK
-------------	----------

Safety data

Input voltage U_i	30.5 V DC (input power)
Input current I_i	850 mA (input power)
Max. output voltage U_o	30 V DC (trunk and host)
ATEX	Sira 11ATEX4216X; II 3 G Ex nA nC IIC T4 Gc
IECEX	IECEX SIR 11.0097X; Ex nA nC IIC T4 Gc
CSA, USA/Canada	Class I, Div. 2, Groups A, B, C, D; Ex nA nC IIC T4 Class I, Zone 2, AEx nA nC IIC T4

Classifications

eCl@ss

eCl@ss 4.0	27250312
eCl@ss 4.1	27250312
eCl@ss 5.0	27242208
eCl@ss 5.1	27242208
eCl@ss 6.0	27242208
eCl@ss 7.0	27242208
eCl@ss 8.0	27242610

ETIM

ETIM 3.0	EC000310
ETIM 4.0	EC000599
ETIM 5.0	EC002540

UNSPSC

UNSPSC 6.01	30211506
-------------	----------

Power module - FB-PS-PLUG-24DC/28DC/0.5/EX - 2316132

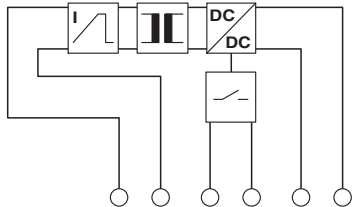
Classifications

UNSPSC

UNSPSC 7.0901	39121008
UNSPSC 11	39121008
UNSPSC 12.01	39121008
UNSPSC 13.2	43201553

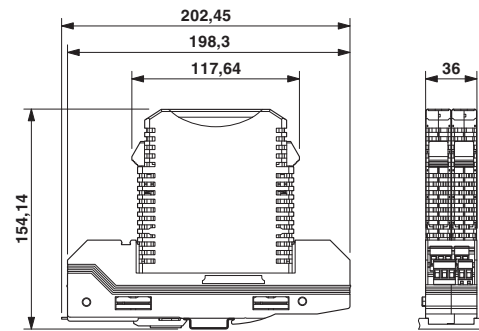
Drawings

Block diagram



Connection diagram: FB-PS-PLUG-24DC/28DC/0.5/EX

Dimensioned drawing



Power supply base and plug

Catalog photo



Figure may contain other products.

