



Chipsmall Limited consists of a professional team with an average of over 10 year of expertise in the distribution of electronic components. Based in Hongkong, we have already established firm and mutual-benefit business relationships with customers from,Europe,America and south Asia,supplying obsolete and hard-to-find components to meet their specific needs.

With the principle of "Quality Parts,Customers Priority,Honest Operation,and Considerate Service",our business mainly focus on the distribution of electronic components. Line cards we deal with include Microchip,ALPS,ROHM,Xilinx,Pulse,ON,Everlight and Freescale. Main products comprise IC,Modules,Potentiometer,IC Socket,Relay,Connector.Our parts cover such applications as commercial,industrial, and automotives areas.

We are looking forward to setting up business relationship with you and hope to provide you with the best service and solution. Let us make a better world for our industry!



## Contact us

Tel: +86-755-8981 8866 Fax: +86-755-8427 6832

Email & Skype: info@chipsmall.com Web: www.chipsmall.com

Address: A1208, Overseas Decoration Building, #122 Zhenhua RD., Futian, Shenzhen, China



## Device coupler - FB-8SP ISO - 2316311

Please be informed that the data shown in this PDF Document is generated from our Online Catalog. Please find the complete data in the user's documentation. Our General Terms of Use for Downloads are valid (<http://phoenixcontact.com/download>)




Zone 1 installed device coupler for Foundation Fieldbus and PROFIBUS PA with terminal connections for eight spurs connected to fieldbus end devices.

### Why buy this product

- Connect up to eight Foundation Fieldbus or PROFIBUS PA field devices located in Zone 0/1
- Terminator preinstalled
- Provides current limiting short-circuit protection per spur
- Two isolation zones; Spurs 1-4 and 5-8
- Single-sided plug configuration eliminates cable bend radius issues



### Key Commercial Data

Packing unit	1 STK
GTIN	 4 055626 306803
GTIN	4055626306803

### Technical data

#### Note

Utilization restriction	EMC: class A product, see manufacturer's declaration in the download area
-------------------------	---

#### Dimensions

Width	279 mm
Height	142 mm
Depth	66 mm

#### Ambient conditions

Ambient temperature (operation)	-40 °C ... 80 °C
Ambient temperature (storage/transport)	-40 °C ... 85 °C
Permissible humidity (operation)	95 % (non-condensing)

# Device coupler - FB-8SP ISO - 2316311

## Technical data

### Ambient conditions

Degree of protection	IP20
	IP20, IP30 over trunk connections

### General

Mounting position	On horizontal and vertical DIN rail NS 35 in acc. with EN 60715
Net weight	1190 g
Degree of pollution	2
Overvoltage category	II
Conformance	EMC 2014/30/EU
	ATEX 2014/34/EU
Fieldbus Foundation	FF-846

### Power supply

Supply voltage range	16 V DC ... 32 V DC (input on trunk line side)
Max. current consumption	35 mA (trunk, no load)
	350 mA (maximum trunk current)
Conductor cross section flexible max.	0.20 mm <sup>2</sup>
Conductor cross section flexible min.	2.50 mm <sup>2</sup>
Conductor cross section solid max.	0.20 mm <sup>2</sup>
Conductor cross section solid min.	2.50 mm <sup>2</sup>
Max. AWG conductor cross section, flexible	12
Min. AWG conductor cross section, flexible	24
Conductor cross section AWG max.	12
Conductor cross section AWG min.	24

### Serial interface

Interface 1	Foundation Fieldbus and PROFIBUS PA Segment
No. of ports	8
Connection method	Pluggable COMBICON screw connection for each spur
Termination resistor	Integrated termination, activated with bridge located in correct terminals
Conductor cross section solid min.	0.2 mm <sup>2</sup>
Conductor cross section solid max.	2.5 mm <sup>2</sup>
Conductor cross section flexible min.	0.2 mm <sup>2</sup>
Conductor cross section flexible max.	2.5 mm <sup>2</sup>
Conductor cross section AWG min.	24
Conductor cross section AWG max.	12
Output nominal voltage	≤ 14 V (each spur)
Output current	35 mA (per spur)
Inductance L <sub>i</sub>	0 μH
Max. output voltage U <sub>o</sub>	16.7 V

### Safety data

Input voltage U <sub>i</sub>	32 V
------------------------------	------

# Device coupler - FB-8SP ISO - 2316311

## Technical data

### Safety data

Max. output voltage $U_o$	16.7 V
Max. output current $I_o$	250 mA
Max. output power $P_o$	1.05 W
Group	IIC
Max. external capacity $C_o$	0.39 $\mu$ F
Group	IIB
Max. external capacity $C_o$	2.33 $\mu$ F
Group	IIC
Max. external inductivity $L_o$	0.56 mH
Group	IIB
Max. external inductivity $L_o$	2.27 mH
ATEX	DEMKO 16ATEX 1689X II 2(1) G Ex eb ib mb [ia Ga] IIC T4 Gb II (1D) [Ex ia Da] IIIC FISCO power supply (spur)
IECEX	IECEX UL 16.0114X Ex eb ib mb [ia Ga] IIC T4 Gb [Ex ia Da] IIIC FISCO power supply (spur)
Safety-related maximum voltage $U_m$	253 V

### Standards and Regulations

Type of test	Corrosive resistance in acc. to ANSI-ISA 71.04-1985 - Severity level G3
Flammability rating according to UL 94	V0
Shock	15g for 11 ms
Vibration (operation)	2g, 10 Hz ... 150 Hz
Conformance	EMC 2014/30/EU
	ATEX 2014/34/EU
Fieldbus Foundation	FF-846
Group	IIC
	IIB
	IIC
	IIB
ATEX	DEMKO 16ATEX 1689X II 2(1) G Ex eb ib mb [ia Ga] IIC T4 Gb II (1D) [Ex ia Da] IIIC FISCO power supply (spur)
IECEX	IECEX UL 16.0114X Ex eb ib mb [ia Ga] IIC T4 Gb [Ex ia Da] IIIC FISCO power supply (spur)
UL, USA/Canada	Install in Class I, Div. 2, Groups A, B, C, D Entity/FISCO spur to: Class I, Groups A, B, C, D; Class II, Groups E, F, G; Class III; Group IIIC Class I, Zone 1 AEx eb ib mb [ia Ga] IIC T4 Gb [AEx ia Da] IIIC FISCO power supply (spur)

# Device coupler - FB-8SP ISO - 2316311

## Technical data

### Standards and Regulations

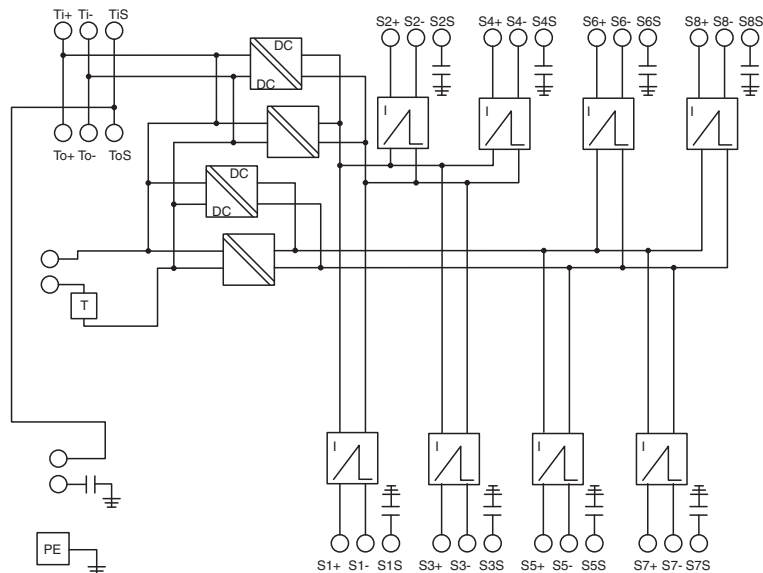
	Ex eb ib mb [ia Ga] IIC T4 Gb [Ex ia Da] IIIC FISCO power supply (spur)
--	---

### Environmental Product Compliance

REACH SVHC	Lead 7439-92-1
China RoHS	Environmentally Friendly Use Period = 50
	For details about hazardous substances go to tab "Downloads", Category "Manufacturer's declaration"

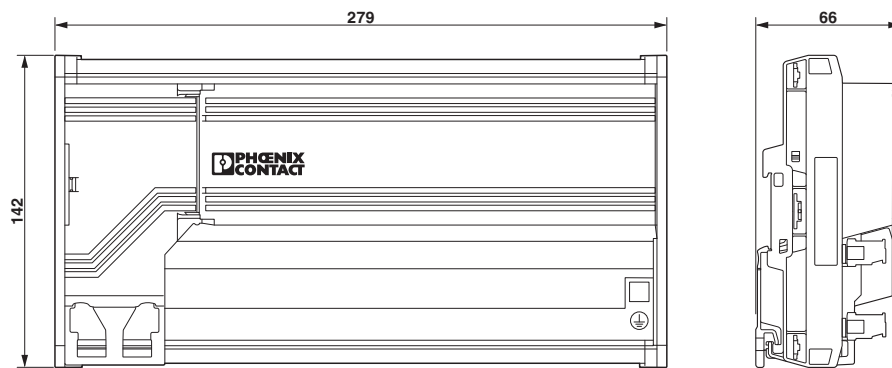
## Drawings

Block diagram



## Device coupler - FB-8SP ISO - 2316311

Dimensional drawing



Phoenix Contact 2018 © - all rights reserved  
<http://www.phoenixcontact.com>

PHOENIX CONTACT GmbH & Co. KG  
Flachsmarktstr. 8  
32825 Blomberg  
Germany  
Tel. +49 5235 300  
Fax +49 5235 3 41200  
<http://www.phoenixcontact.com>