



Chipsmall Limited consists of a professional team with an average of over 10 year of expertise in the distribution of electronic components. Based in Hongkong, we have already established firm and mutual-benefit business relationships with customers from,Europe,America and south Asia,supplying obsolete and hard-to-find components to meet their specific needs.

With the principle of “Quality Parts,Customers Priority,Honest Operation,and Considerate Service”,our business mainly focus on the distribution of electronic components. Line cards we deal with include Microchip,ALPS,ROHM,Xilinx,Pulse,ON,Everlight and Freescale. Main products comprise IC,Modules,Potentiometer,IC Socket,Relay,Connector.Our parts cover such applications as commercial,industrial, and automotives areas.

We are looking forward to setting up business relationship with you and hope to provide you with the best service and solution. Let us make a better world for our industry!



## Contact us

Tel: +86-755-8981 8866 Fax: +86-755-8427 6832

Email & Skype: info@chipsmall.com Web: www.chipsmall.com

Address: A1208, Overseas Decoration Building, #122 Zhenhua RD., Futian, Shenzhen, China



# Terminal box - FB2-S1-12SP-T-0-16-00-0-0 - 2316417

Please be informed that the data shown in this PDF Document is generated from our Online Catalog. Please find the complete data in the user's documentation. Our General Terms of Use for Downloads are valid (<http://phoenixcontact.com/download>)



Stainless steel field junction box with 16 ports for use in hazardous locations. Includes 12-spur block device coupler (FB-12SP) for Foundation Fieldbus or PROFIBUS PA, three terminal blocks for trunk cable connection (+, -, S).

## Product Description


FF/PA - 12-spur block junction box

### Why buy this product

- Connect up to 12 Foundation Fieldbus or PROFIBUS PA field devices
- Terminator preinstalled
- Provides current limiting short-circuit protection per spur
- Single-sided plug configuration eliminates cable bend radius issues



## Key Commercial Data

Packing unit	1 STK
GTIN	 4 055626 301754
GTIN	4055626301754

## Technical data

### Dimensions

Width	355.6 mm
Height	304.8 mm
Depth	127 mm

### Ambient conditions

Ambient temperature (operation)	-40 °C ... 70 °C
Ambient temperature (storage/transport)	-40 °C ... 70 °C
Altitude	2000 m
Degree of protection	IP66

### General

# Terminal box - FB2-S1-12SP-T-0-16-00-0-0 - 2316417

## Technical data

### General

Standards/regulations	EN 61326-1
	EN 60079-0
	EN 60079-11
	EN 60079-15
Net weight	6540 g
Housing material	Stainless steel
Color	gray
Conformance	CE-compliant, additionally EN 61326-1

### Power supply

Max. current consumption	6.5 mA (No-load)
	680 mA (trunk)

### Serial interface

Inductance $L_i$	4 $\mu$ H
Max. output voltage $U_o$	$U_{in}$ (spur)

### Safety data

Input voltage $U_i$	32 V (IIB (C/D))
Max. output voltage $U_o$	$U_{in}$ (spur)
Max. output current $I_o$	56 mA (per spur)
Max. output power $P_o$	1.792 W
Group	IIC/IIB
Max. external capacity $C_o$	80 nF
Additional text	per spur
Group	IIC/IIB
Max. external inductivity $L_o$	0.26 mH
Additional text	per spur
ATEX	DEMKO 16ATEX1704X II 3 G D Ex nA [ic] IIC T4 Gc, Ex nA nC [ic] IIC T4 Gc Ex ic IIC T4 Gc, FISCO ic spurs Ex tc IIIC T135 Dc IP66
IECEX	IECEX UL 16.0079X Ex nA [ic] IIC T4 Gc, Ex nA nC [ic] IIC T4 Gc Ex ic IIC T4 Gc, FISCO ic spurs Ex tc IIIC T135 Dc IP66
Safety-related maximum voltage $U_m$	17.5 V

### Standards and Regulations

Type of test	Corrosive resistance in acc. to ANSI-ISA 71.04-1985 - Severity level G3
Standards/regulations	EN 61326-1
	EN 60079-0
	EN 60079-11
	EN 60079-15
Conformance	CE-compliant, additionally EN 61326-1

# Terminal box - FB2-S1-12SP-T-0-16-00-0-0 - 2316417

## Technical data

### Standards and Regulations

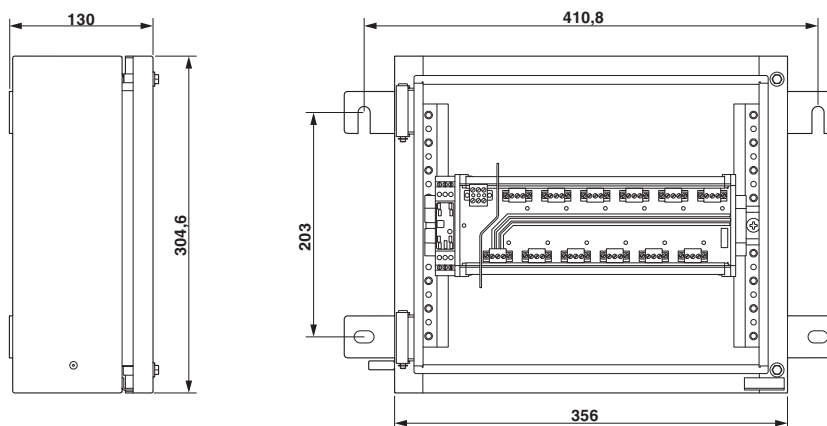
Group	IIC/IIB
	IIC/IIB
ATEX	DEMKO 16ATEX1704X II 3 G D Ex nA [ic] IIC T4 Gc, Ex nA nC [ic] IIC T4 Gc Ex ic IIC T4 Gc, FISCO ic spurs Ex tc IIIC T135 Dc IP66
IECEX	IECEX UL 16.0079X Ex nA [ic] IIC T4 Gc, Ex nA nC [ic] IIC T4 Gc Ex ic IIC T4 Gc, FISCO ic spurs Ex tc IIIC T135 Dc IP66
UL, USA/Canada	Class I, Zone 2, AEx nA [ic] IIC T4 Gc, AEx nA nC[ic] IIC T4 Gc Entity/ FISCO spurs Class I, Div. 2, Groups A, B, C, D, T4 Class I, Zone 22, AEx tc IIIC T135 Dc IP66

### Environmental Product Compliance

REACH SVHC	Lead 7439-92-1
------------	----------------

## Drawings

Dimensional drawing



Phoenix Contact 2018 © - all rights reserved  
<http://www.phoenixcontact.com>

PHOENIX CONTACT GmbH & Co. KG  
 Flachsmarktstr. 8  
 32825 Blomberg  
 Germany  
 Tel. +49 5235 300  
 Fax +49 5235 3 41200  
<http://www.phoenixcontact.com>