



Chipsmall Limited consists of a professional team with an average of over 10 year of expertise in the distribution of electronic components. Based in Hongkong, we have already established firm and mutual-benefit business relationships with customers from,Europe,America and south Asia,supplying obsolete and hard-to-find components to meet their specific needs.

With the principle of “Quality Parts,Customers Priority,Honest Operation,and Considerate Service”,our business mainly focus on the distribution of electronic components. Line cards we deal with include Microchip,ALPS,ROHM,Xilinx,Pulse,ON,Everlight and Freescale. Main products comprise IC,Modules,Potentiometer,IC Socket,Relay,Connector.Our parts cover such applications as commercial,industrial, and automotives areas.

We are looking forward to setting up business relationship with you and hope to provide you with the best service and solution. Let us make a better world for our industry!



## Contact us

Tel: +86-755-8981 8866 Fax: +86-755-8427 6832

Email & Skype: info@chipsmall.com Web: www.chipsmall.com

Address: A1208, Overseas Decoration Building, #122 Zhenhua RD., Futian, Shenzhen, China



4

3

2

1

THIS DRAWING IS UNPUBLISHED.

RELEASED FOR PUBLICATION

20

© COPYRIGHT 20

BY -

ALL RIGHTS RESERVED.

REVISIONS

P	LTR	DESCRIPTION	DATE	DWN	APVD
	A	INITIAL RELEASE	15 JAN 18	LP	TD

TE TRADE MARK

NOTE:

1. MATERIAL, NYLON 66, UL 94 V-0.
2. GWT 750 °C VERSION, ACCORDING TO IEC 60335-1.
3. SHEET 1 FOR POD-LOK 250 FLAG HSG, \*-1969772-\*.  
SHEET 2 FOR POD-LOK 187 FLAG HSG, \*-2299289-\*.

NATURAL	NYLON	2317947-1
COLOUR	MATERIAL	P/N

THIS DRAWING IS A CONTROLLED DOCUMENT.

DWN 11 APR 2017

LEI PAN

CHK 11 APR 2017

LEI PAN

APVD 11 APR 2017

TIM DING

PRODUCT SPEC

-

APPLICATION SPEC

-

WEIGHT

-

CUSTOMER DRAWING

NAME  
POD-LOK FLAG BACKCOVER

SIZE CAGE CODE DRAWING NO RESTRICTED TO

A3 - ©-2317947 -

SCALE 5:1 SHEET 1 OF 2 REV A

DIMENSIONS:

mm

TOLERANCES UNLESS OTHERWISE SPECIFIED:

0 PLC	±-
1 PLC	±0.3
2 PLC	±-
3 PLC	±-
4 PLC	±-
ANGLES	±-

MATERIAL

-

FINISH

-

TE Connectivity

1470-19 (3/13)

THIS DRAWING IS UNPUBLISHED.

RELEASED FOR PUBLICATION

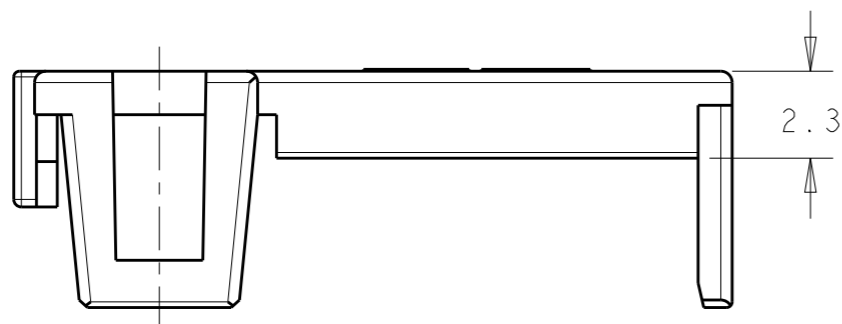
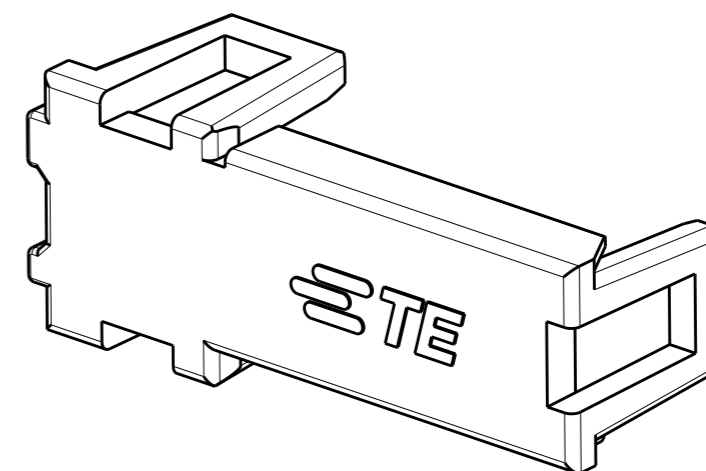
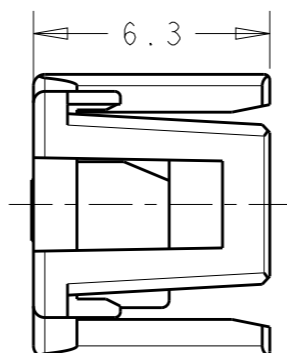
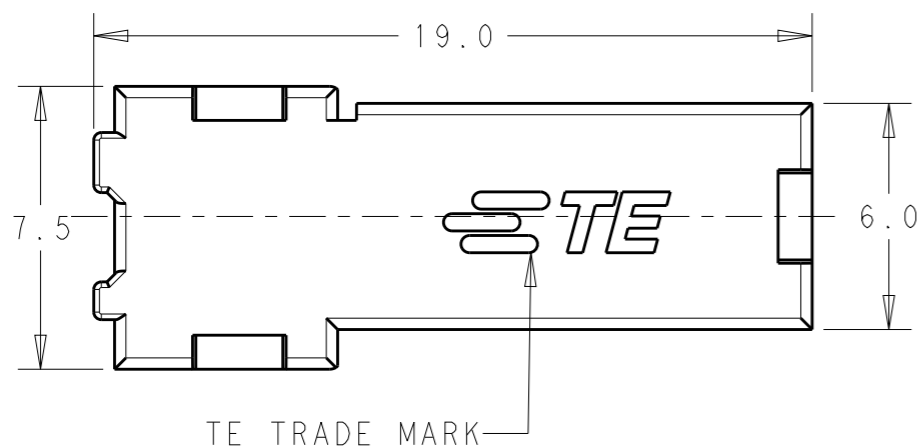
20

© COPYRIGHT 20 BY -

ALL RIGHTS RESERVED.

REVISIONS

P	LTR	DESCRIPTION	DATE	DWN	APVD
		SEE SEET 1			



NATURAL	NYLON	2317947-2
COLOUR	MATERIAL	P/N

THIS DRAWING IS A CONTROLLED DOCUMENT.

DWN	LEI PAN	11APR2017
CHK	LEI PAN	11APR2017
APVD	TIM DING	11APR2017

**STE** TE Connectivity

NAME: POD-LOK FLAG BACKCOVER

DIMENSIONS:	TOLERANCES UNLESS OTHERWISE SPECIFIED:
mm	
	0 PLC ± -
	1 PLC ± 0.3
	2 PLC ± -
	3 PLC ± -
	4 PLC ± -
	ANGLES ± -
MATERIAL	FINISH
-	-
-	-

PRODUCT SPEC	-
APPLICATION SPEC	-
WEIGHT	-
CUSTOMER DRAWING	

SIZE	CAGE CODE	DRAWING NO	RESTRICTED TO
A3	-	© 2317947	-
SCALE		SHEET	REV
4:1		2 OF 2	A