



Chipsmall Limited consists of a professional team with an average of over 10 year of expertise in the distribution of electronic components. Based in Hongkong, we have already established firm and mutual-benefit business relationships with customers from,Europe,America and south Asia,supplying obsolete and hard-to-find components to meet their specific needs.

With the principle of “Quality Parts,Customers Priority,Honest Operation,and Considerate Service”,our business mainly focus on the distribution of electronic components. Line cards we deal with include Microchip,ALPS,ROHM,Xilinx,Pulse,ON,Everlight and Freescale. Main products comprise IC,Modules,Potentiometer,IC Socket,Relay,Connector.Our parts cover such applications as commercial,industrial, and automotives areas.

We are looking forward to setting up business relationship with you and hope to provide you with the best service and solution. Let us make a better world for our industry!



Contact us

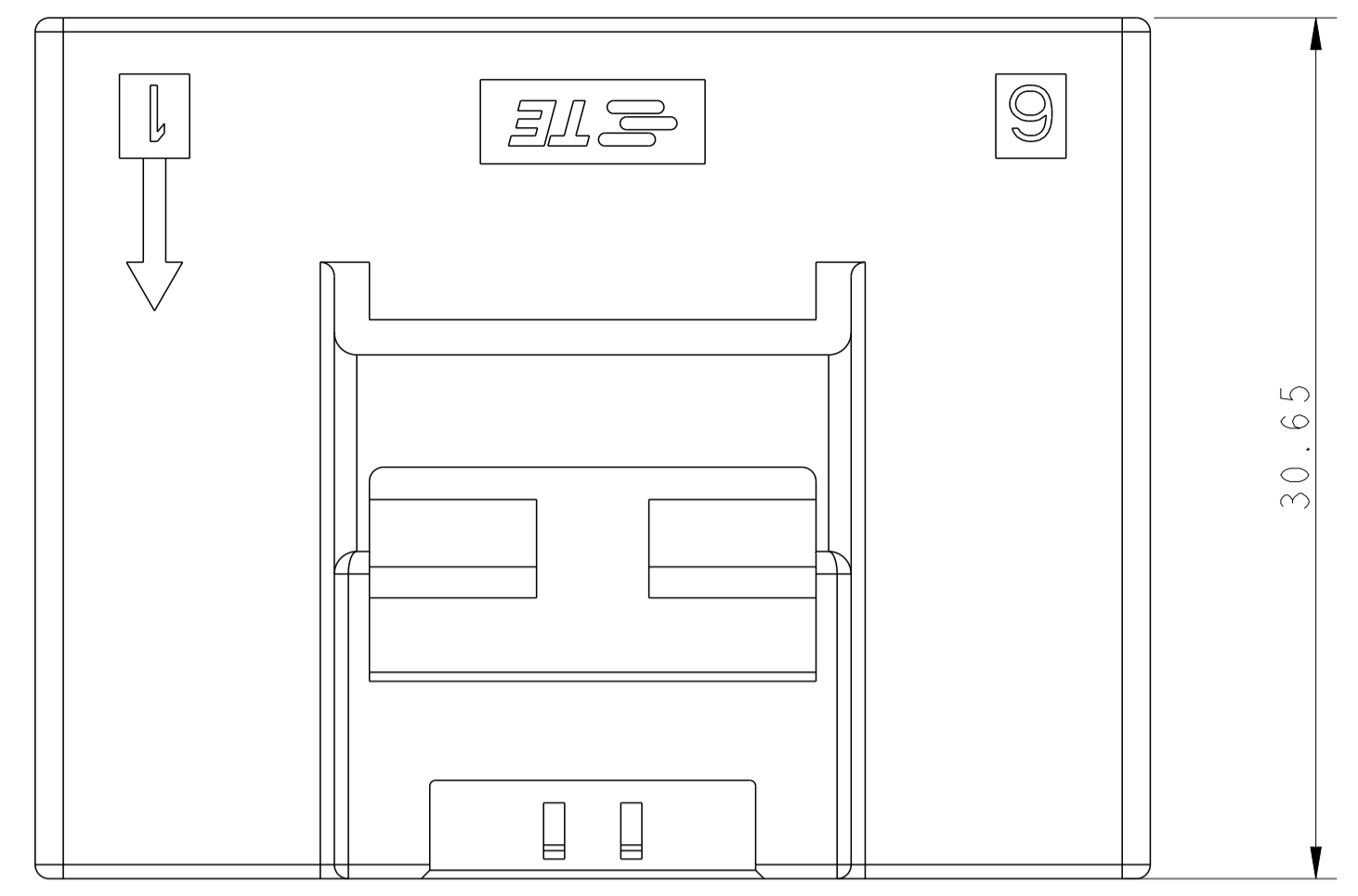
Tel: +86-755-8981 8866 Fax: +86-755-8427 6832

Email & Skype: info@chipsmall.com Web: www.chipsmall.com

Address: A1208, Overseas Decoration Building, #122 Zhenhua RD., Futian, Shenzhen, China



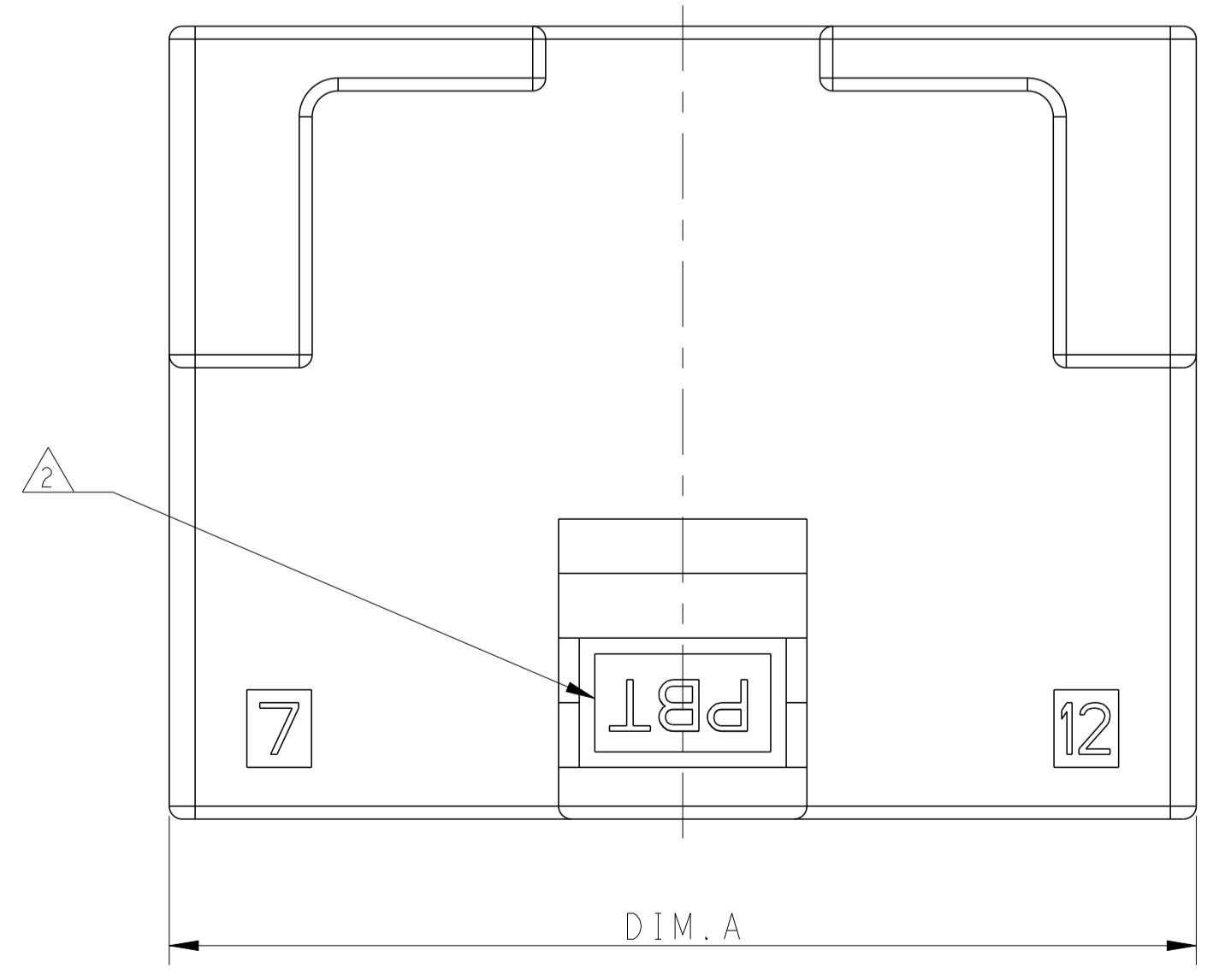
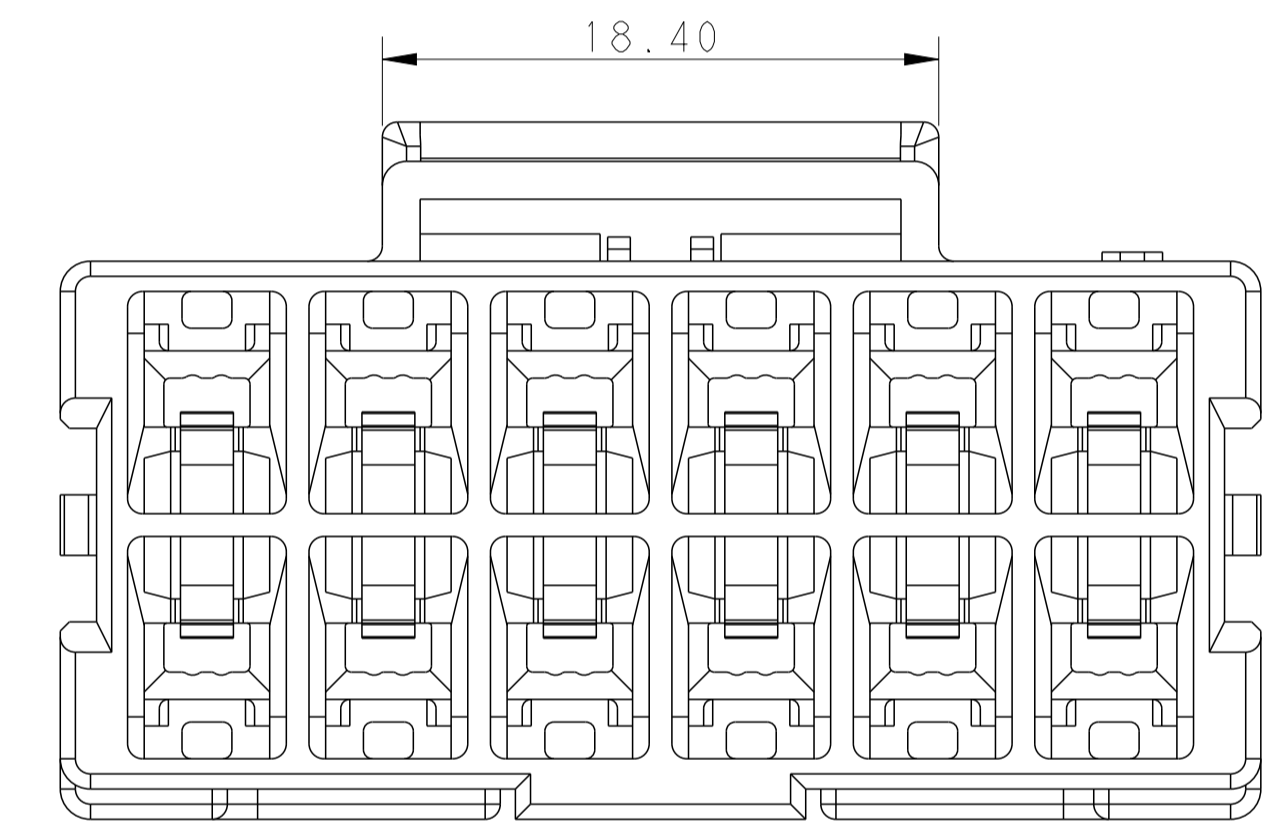
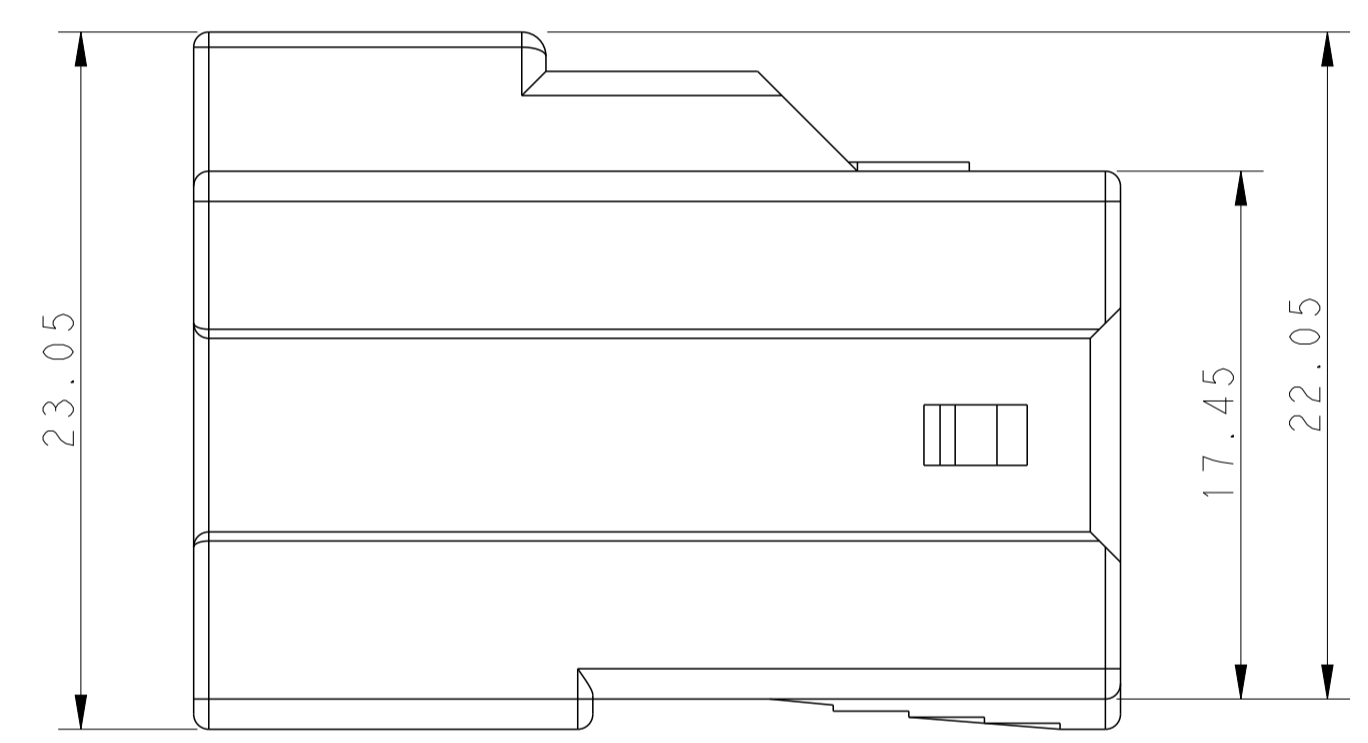
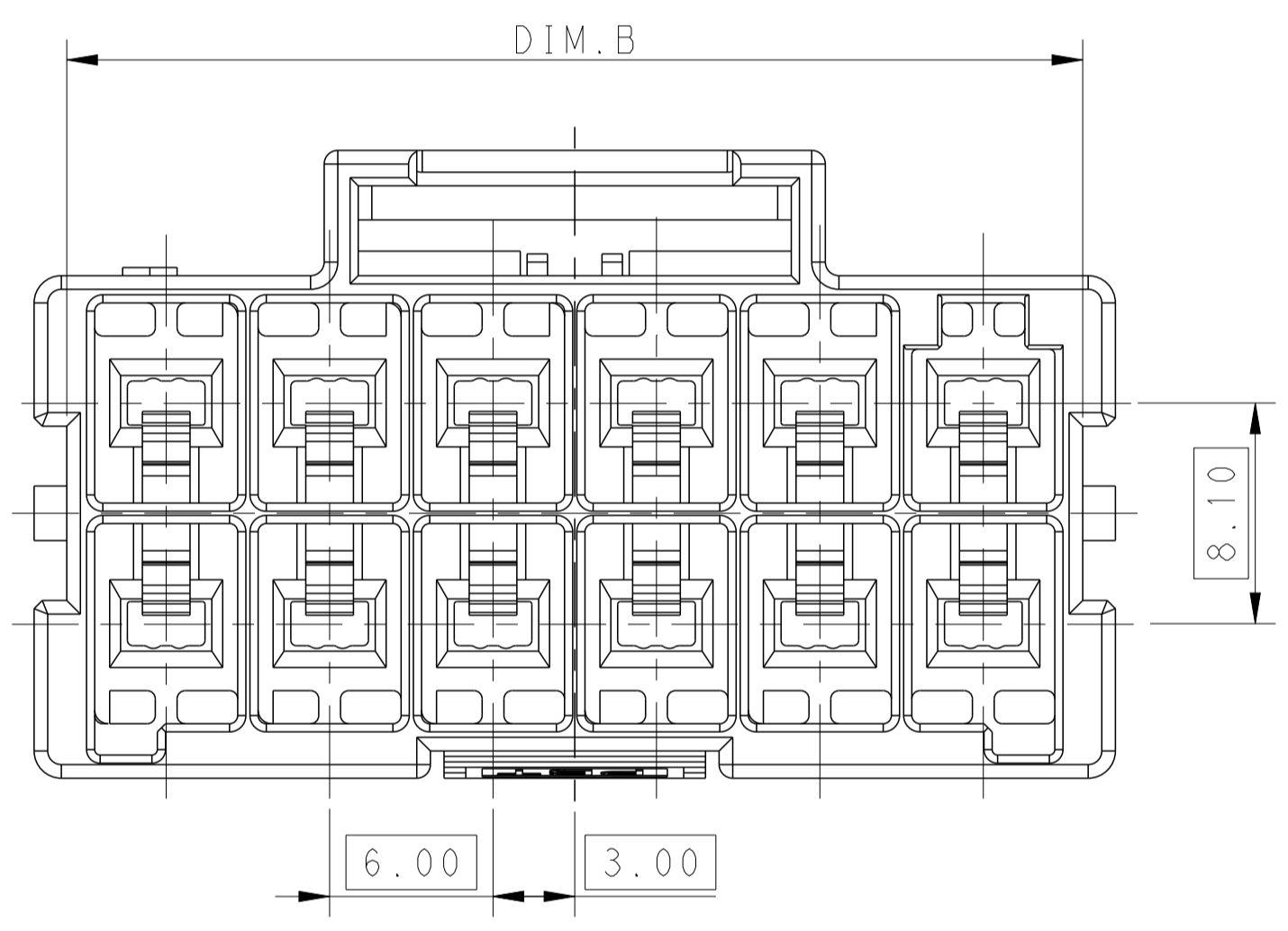
LOC		DIST		REVISIONS			
P	LTN	DESCRIPTION	DATE	DWN	APVD		
C		REVISED PER ECR-16-003314	15JUL2016	BW	GJ		



- △ MATERIAL:
 LEVEL 1:PBT, STANDARD TEMPERATURE 105°C
 KEY A:NATURAL; KEY B:PURPLE; KEY C:BLUE; KEY D:YELLOW

 LEVEL 2:NYLON, HIGH TEMPERATURE 150°C
 KEY A:LIGHT GREY; KEY B:RED; KEY C:BLACK; KEY D:NATURAL
- △ MATERIAL MARK:
 LEVEL 1:PBT, LEVEL 2:HDT
- 3 APPLICABLE CONTACT P/N
 TAB CONTACT:1971238/1971780/82/84/86/88-*,2238067-*
- 4 MATING CONN, P/N
 PLUG HSG:*-1971776-
 TPA(LOCK PLATE):*-1971778-*

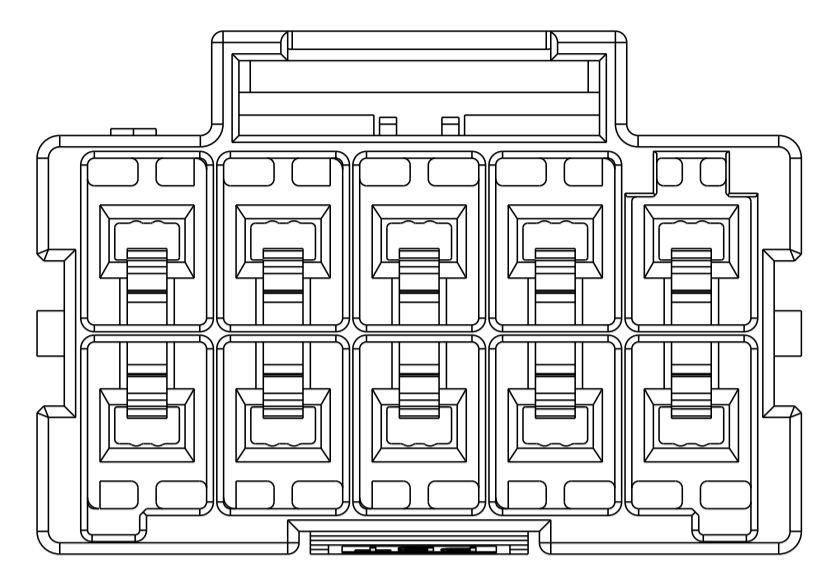
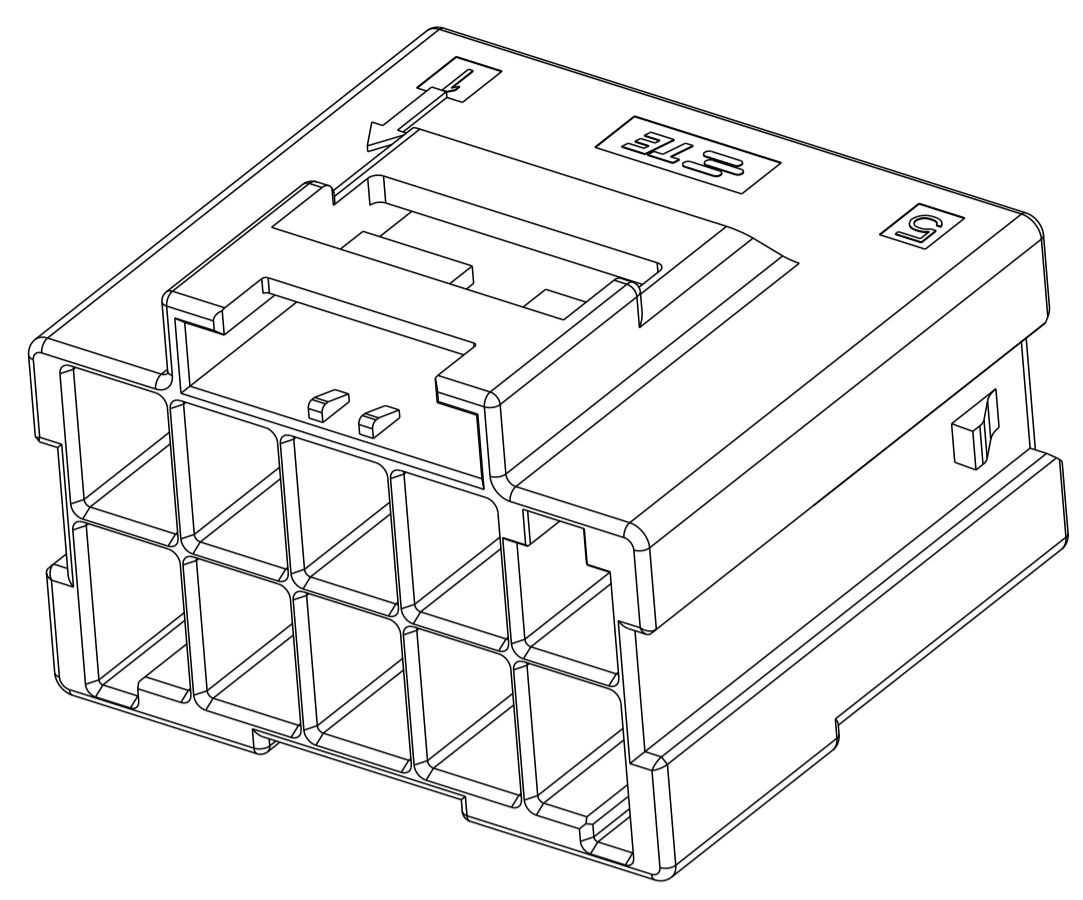
5 THIS PRODUCT HAS NOT COMPLETED VALIDATION TESTING



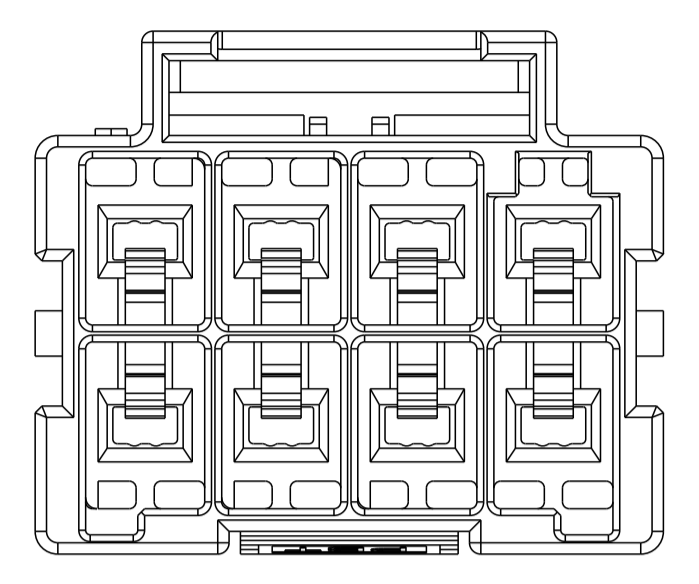
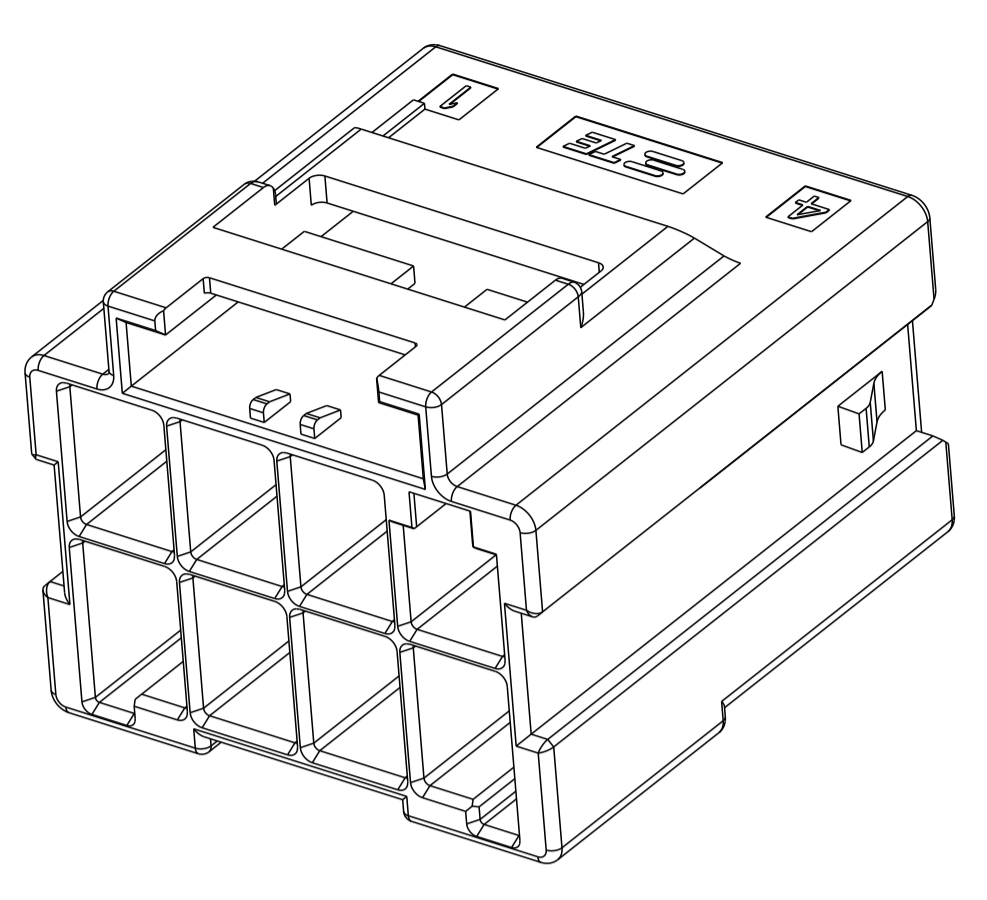
POS.	DIM. A	DIM. B
2*6	39.70	37.30
2*5	33.70	31.30
2*4	27.70	25.30
2*3	21.70	19.30

THIS DRAWING IS A CONTROLLED DOCUMENT.		DWN: TOMMY WU 09JUL2012	TE Connectivity CAP HOUSING, FREE HANGING, DOUBLE ROW POWER TRIPLE LOCK
DIMENSIONS: mm		CHK: HAPYE WU 09JUL2012	
TOLERANCES UNLESS OTHERWISE SPECIFIED:		APVD: YUHONG MAO 09JUL2012	
0 PLC ± 1 PLC ±0.35 2 PLC ±0.25 3 PLC ± 4 PLC ± ANGLES ± FINISH -		PRODUCT SPEC: 108-106118 APPLICATION SPEC: 114-106118 WEIGHT: - Customer Drawing	
MATERIAL: △		NAME: CAP HOUSING, FREE HANGING, DOUBLE ROW POWER TRIPLE LOCK SIZE: A1 CAGE CODE: 00779 DRAWING NO: C=1971774 RESTRICTED TO: - SCALE: - SHEET 1 OF 2 REV C	

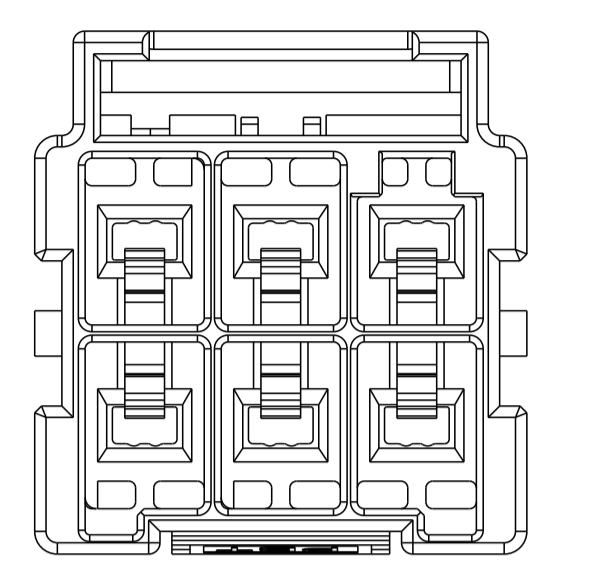
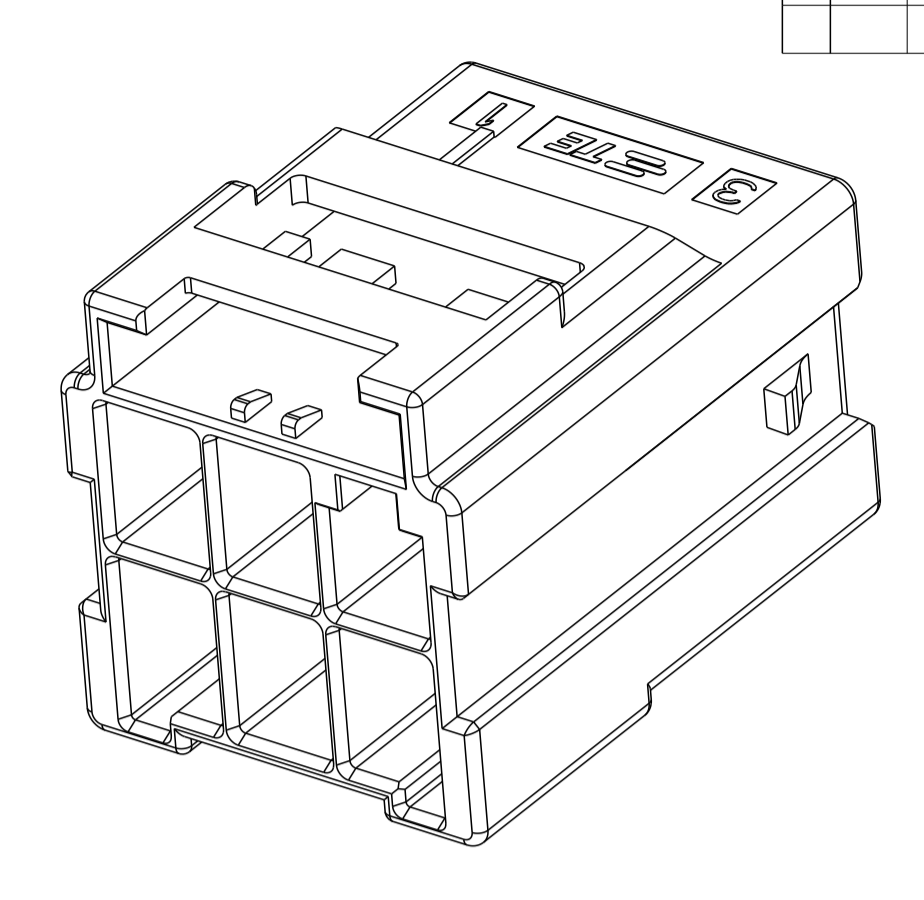
LOC		DIST		REVISIONS				
P	LTN	DATE	OWN	APVD	DESCRIPTION	DATE	OWN	APVD
-	-	-	-	-	SEE SHEET 1	-	-	-



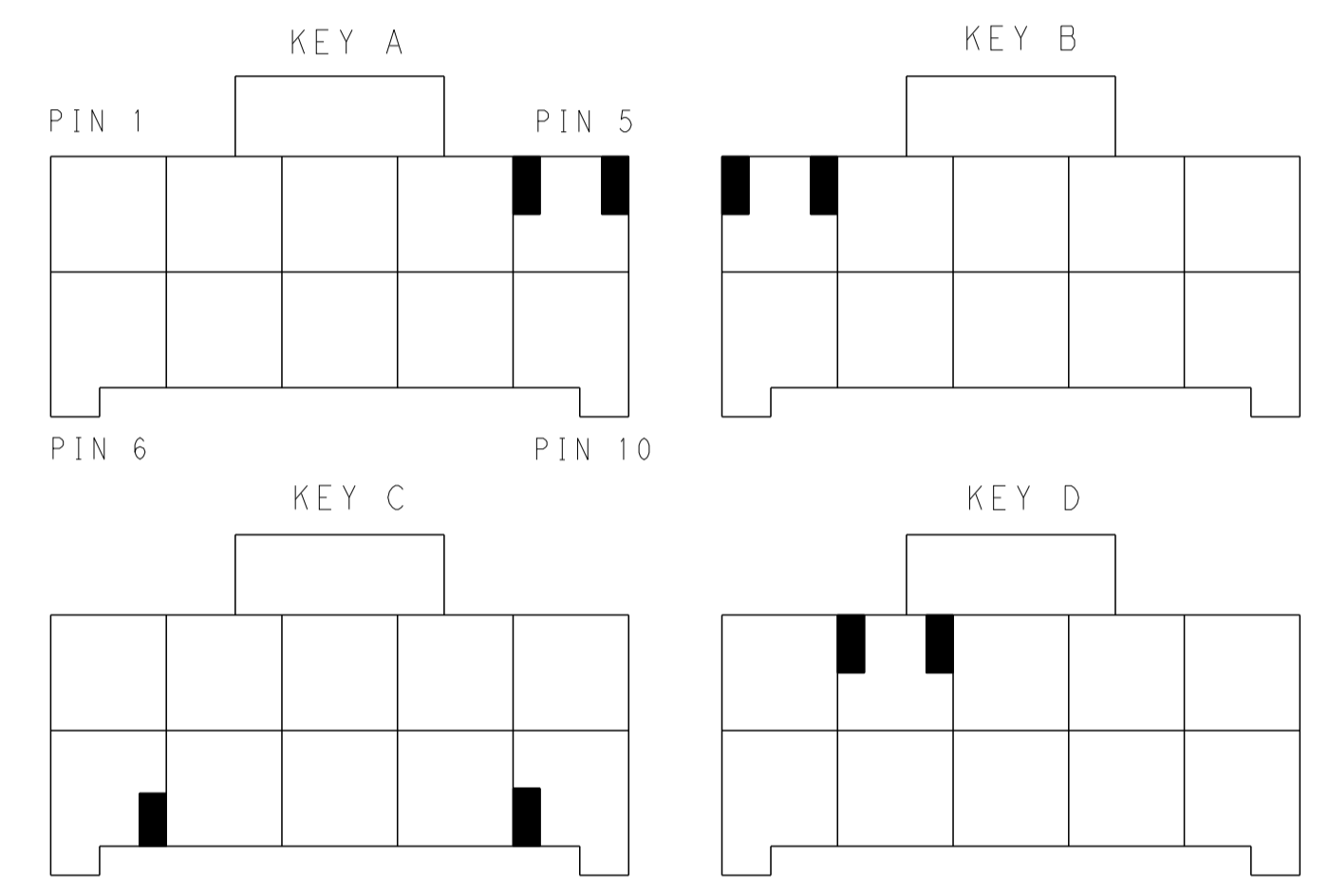
2*5 POSITIONS



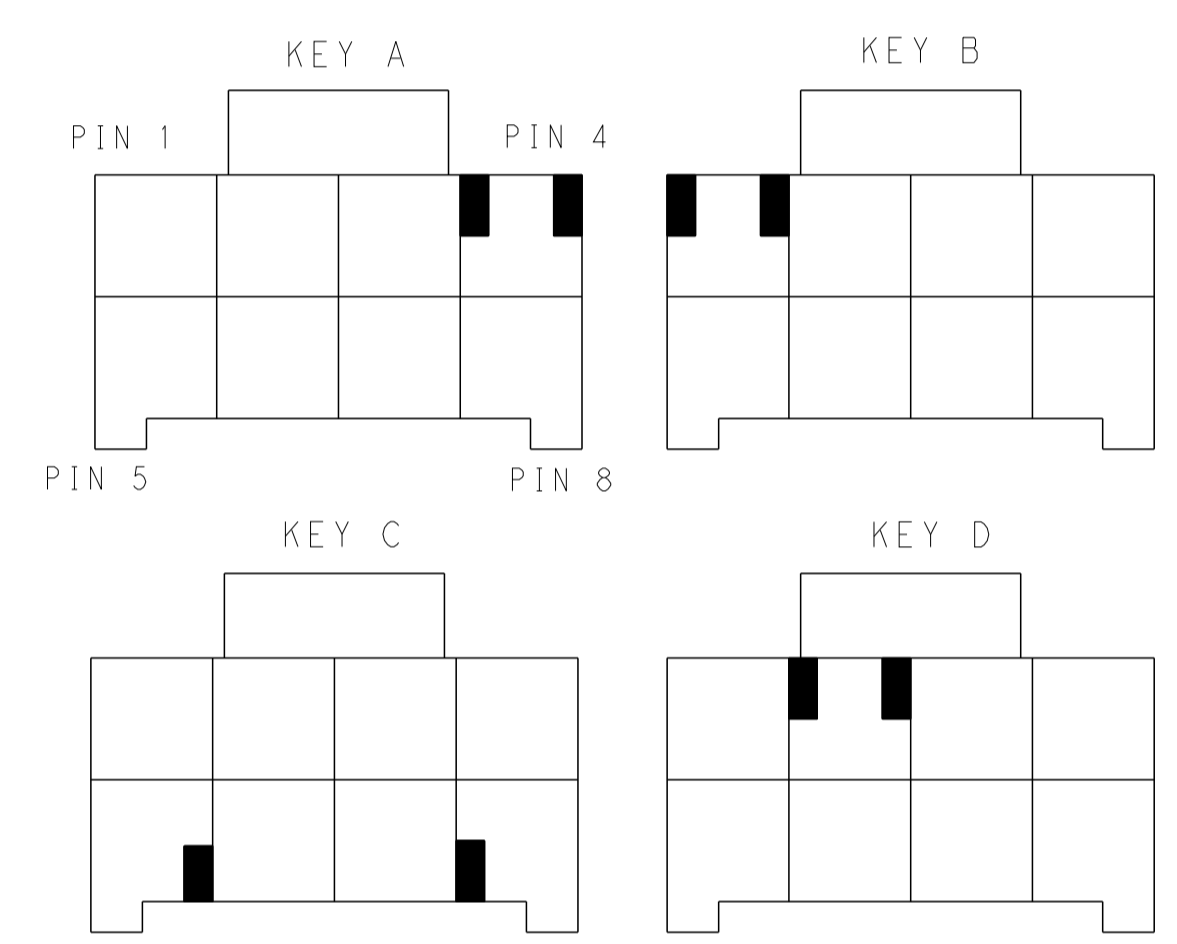
2*4 POSITIONS



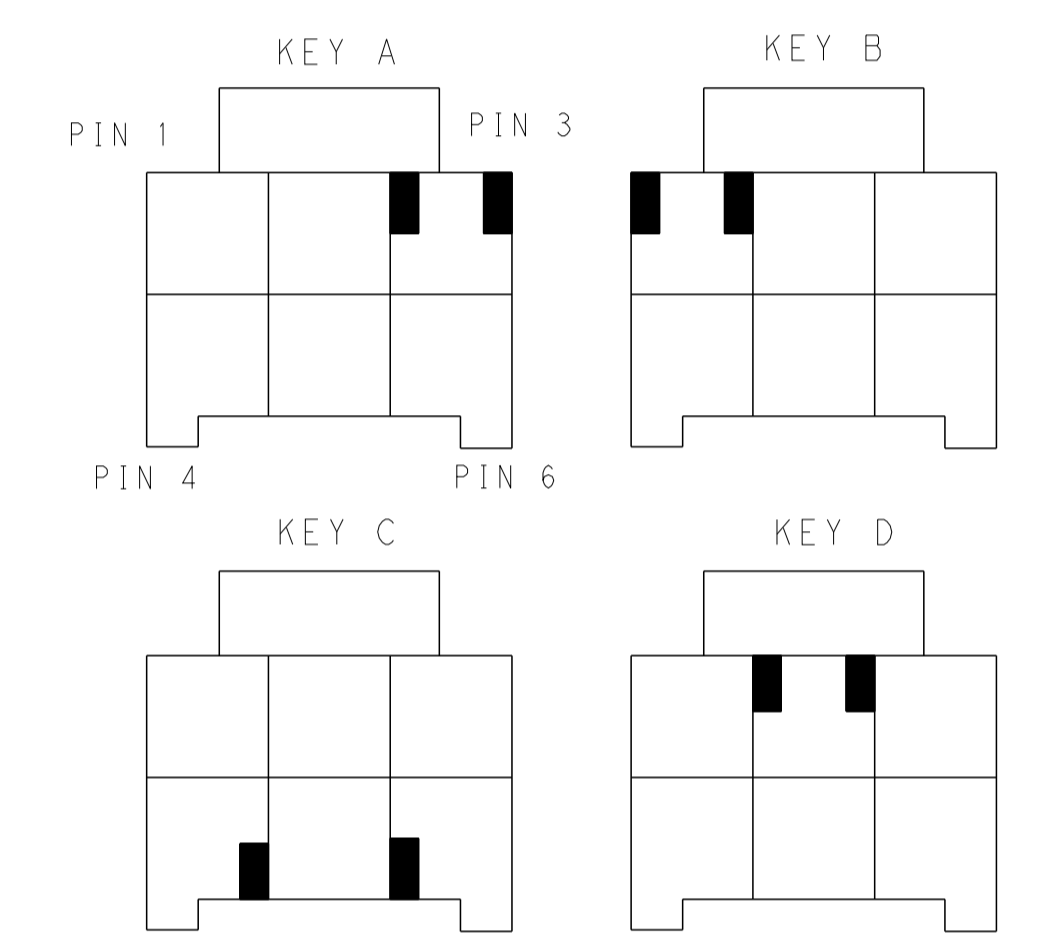
2*3 POSITIONS



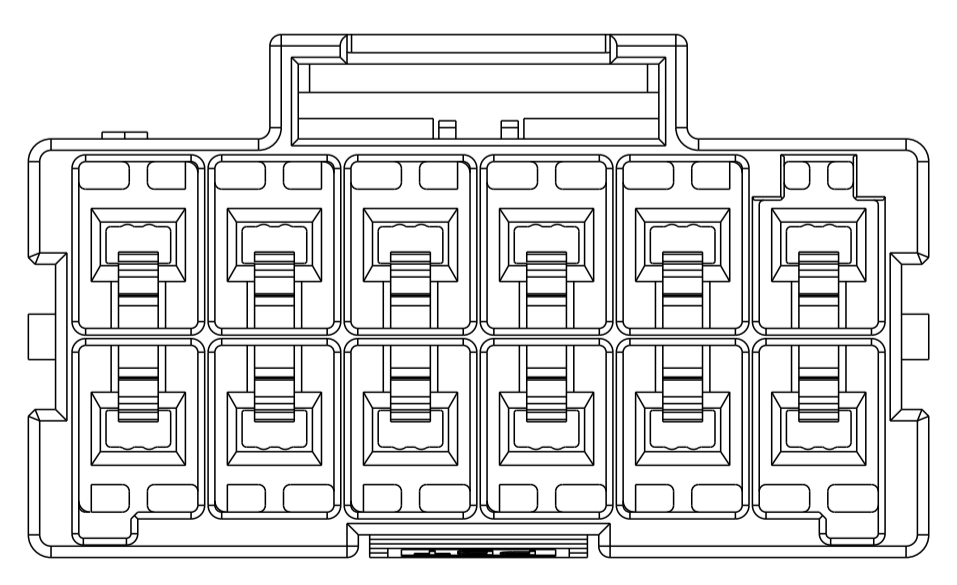
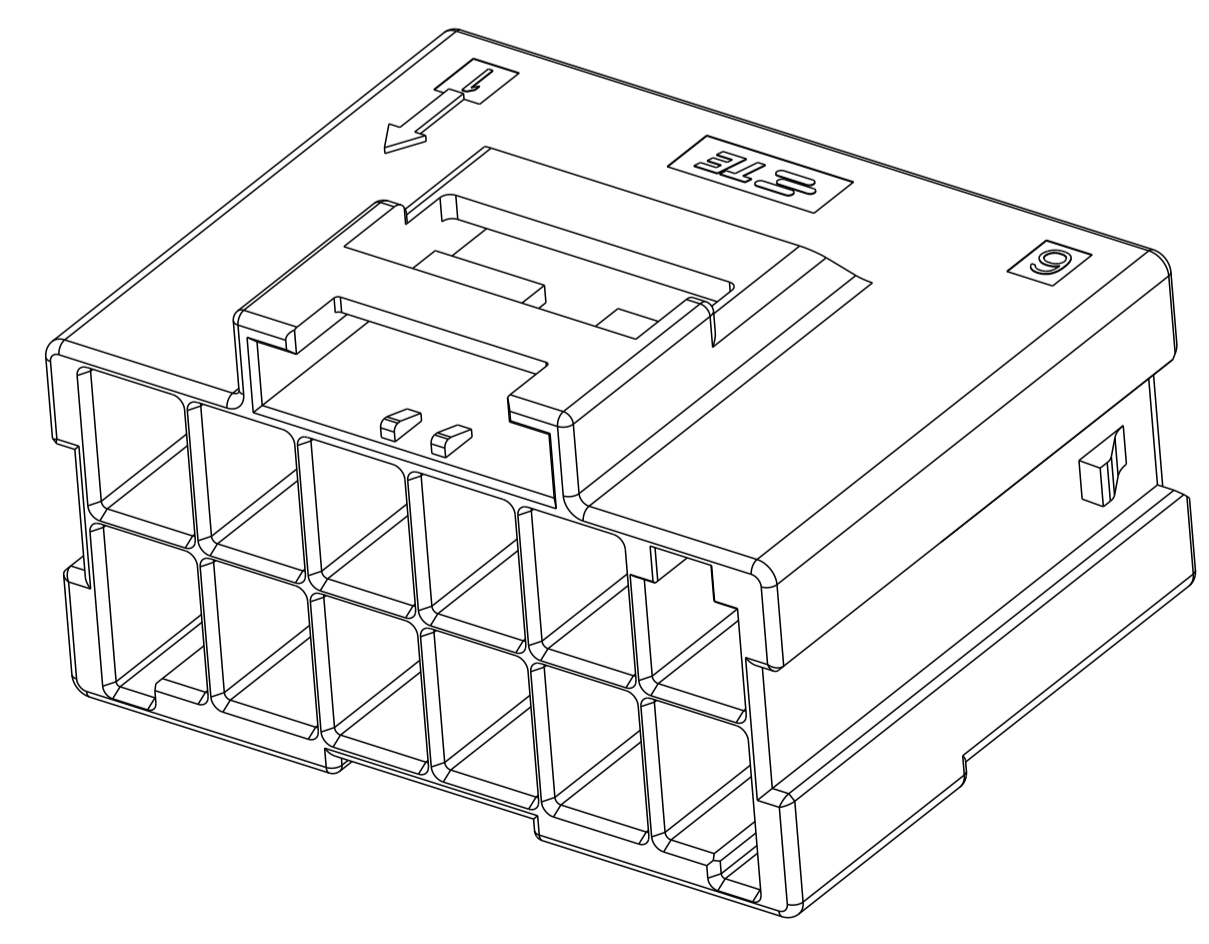
KEYING FOR 2*5 POS.



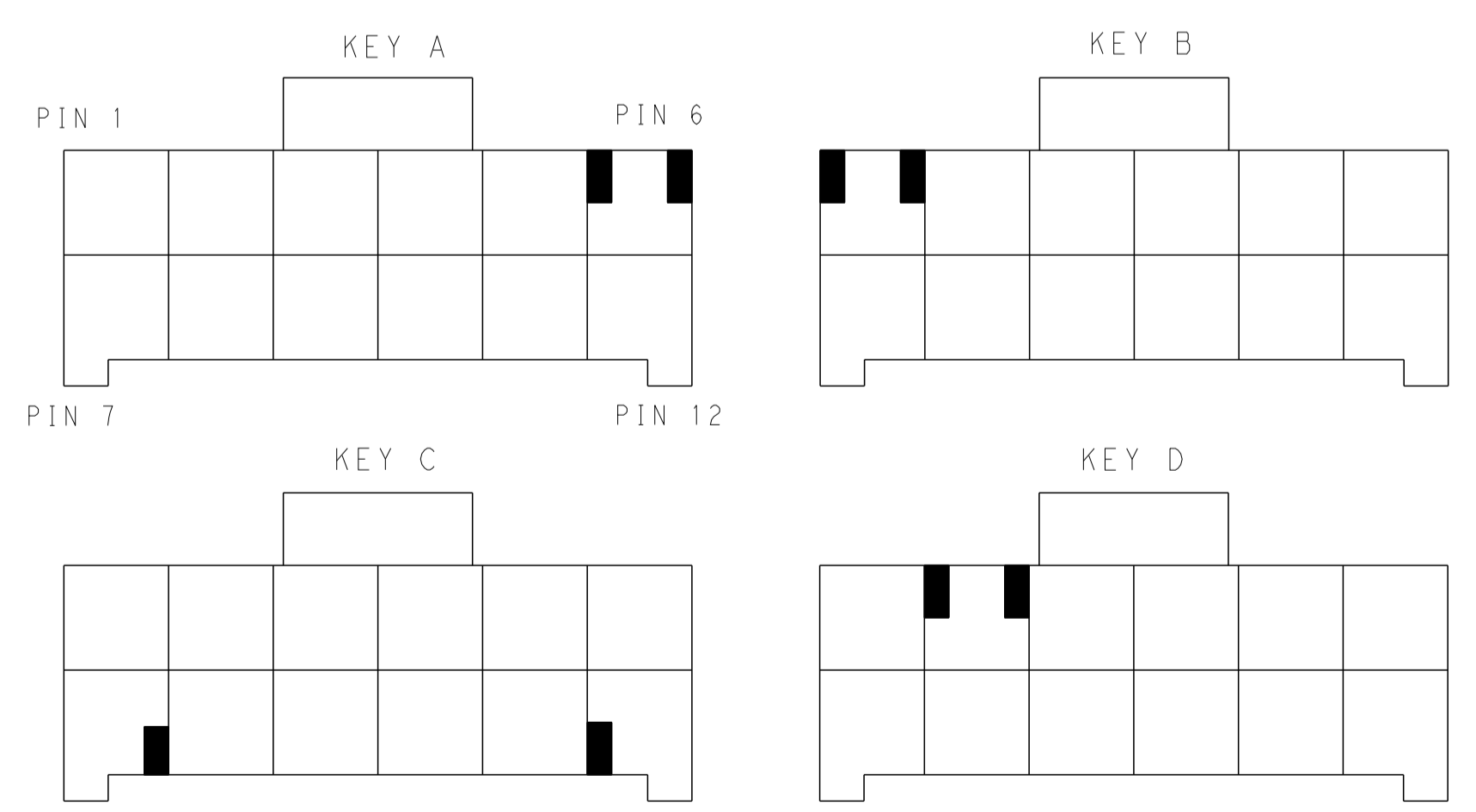
KEYING FOR 2*4 POS.



KEYING FOR 2*3 POS.



2*6 POSITIONS



KEYING FOR 2*6 POS.

POS.	MATERIAL	KEY	P/N
2*6	LEVEL 1	KEY A	1-1971774-6
		KEY B	2-1971774-6
		KEY C	3-1971774-6
		KEY D	4-1971774-6
2*6	LEVEL 2	KEY A	5-1971774-6
		KEY B	6-1971774-6
		KEY C	7-1971774-6
		KEY D	8-1971774-6
2*5	LEVEL 1	KEY A	1-1971774-5
		KEY B	2-1971774-5
		KEY C	3-1971774-5
		KEY D	4-1971774-5
2*5	LEVEL 2	KEY A	5-1971774-5
		KEY B	6-1971774-5
		KEY C	7-1971774-5
		KEY D	8-1971774-5

POS.	MATERIAL	KEY	P/N
2*4	LEVEL 1	KEY A	1-1971774-4
		KEY B	2-1971774-4
		KEY C	3-1971774-4
		KEY D	4-1971774-4
2*4	LEVEL 2	KEY A	5-1971774-4
		KEY B	6-1971774-4
		KEY C	7-1971774-4
		KEY D	8-1971774-4
2*3	LEVEL 1	KEY A	1-1971774-3
		KEY B	2-1971774-3
		KEY C	3-1971774-3
		KEY D	4-1971774-3
2*3	LEVEL 2	KEY A	5-1971774-3
		KEY B	6-1971774-3
		KEY C	7-1971774-3
		KEY D	8-1971774-3

THIS DRAWING IS A CONTROLLED DOCUMENT. DWN: TOMMY_WU 09JUL2012
 CHK: HAPYE_WU 09JUL2012
 APVD: YUHONG_MAO 09JUL2012

STE TE Connectivity

NAME: CAP HOUSING, FREE HANGING, DOUBLE ROW POWER TRIPLE LOCK

PRODUCT SPEC: 108-106118
 APPLICATION SPEC: 114-106118

SIZE: A1 CAGE CODE: 00779 DRAWING NO: 1971774
 RESTRICTED TO: -

MATERIAL: - FINISH: - WEIGHT: -
 Customer Drawing SCALE: - SHEET 2 OF 2 REV C

TOLERANCES UNLESS OTHERWISE SPECIFIED:
 DIMENSIONS: mm
 0 PLC ±0.25
 1 PLC ±0.35
 2 PLC ±0.25
 3 PLC ±0.25
 4 PLC ±0.25
 ANGLES ±0.5°
 FINISH: -