



Chipsmall Limited consists of a professional team with an average of over 10 year of expertise in the distribution of electronic components. Based in Hongkong, we have already established firm and mutual-benefit business relationships with customers from,Europe,America and south Asia,supplying obsolete and hard-to-find components to meet their specific needs.

With the principle of “Quality Parts,Customers Priority,Honest Operation,and Considerate Service”,our business mainly focus on the distribution of electronic components. Line cards we deal with include Microchip,ALPS,ROHM,Xilinx,Pulse,ON,Everlight and Freescale. Main products comprise IC,Modules,Potentiometer,IC Socket,Relay,Connector.Our parts cover such applications as commercial,industrial, and automotives areas.

We are looking forward to setting up business relationship with you and hope to provide you with the best service and solution. Let us make a better world for our industry!



## Contact us

Tel: +86-755-8981 8866 Fax: +86-755-8427 6832

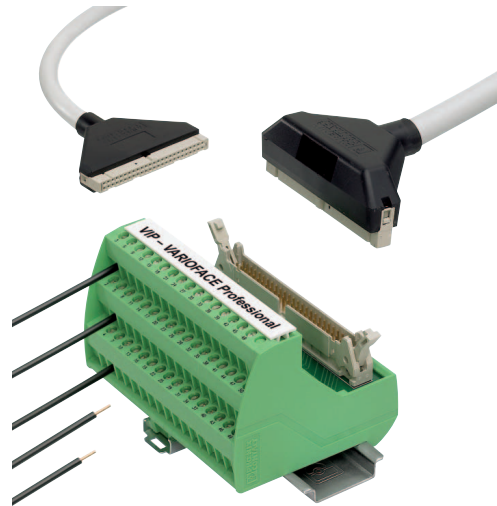
Email & Skype: info@chipsmall.com Web: www.chipsmall.com

Address: A1208, Overseas Decoration Building, #122 Zhenhua RD., Futian, Shenzhen, China



# VIP-CAB-FLK.../0,14/...M

## VIP - VARIOFACE Professional System cables with molded FLK connector



### INTERFACE

Data sheet  
103490\_en\_00

© PHOENIX CONTACT - 03/2008

## 1 Description

Sensors and actuators have a single-wire connection. Using the new molded system cables, field signals are connected safely to the control level. The encapsulation of the connectors ensures a high level of mechanical protection and professional strain relief. For clear identification, individual serial numbers are printed on both ends of the cable.

### Color code of VIP-CAB\_FLK.../0,14/...M system cables

Number of conductors	PIN	Conductor color
	1	Black
	2	Brown
	3	Red
	4	Orange
	5	Yellow
	6	Green
	7	Blue
	8	Violet
	9	Gray
10-pos.	10	White
	11	White-black
	12	White-brown
	13	White-red
14-pos.	14	White-orange
	15	White-yellow
16-pos.	16	White-green

Number of conductors	PIN	Conductor color
	17	White-blue
	18	White-violet
	19	White-gray
20-pos.	20	Brown-black
	21	Brown-red
	22	Brown-orange
	23	Brown-yellow
	24	Brown-green
	25	Brown-blue
26-pos.	26	Brown-violet
	27	Brown-gray
	28	Brown-white
	29	Green-black
	30	Green-brown
	31	Green-red
	32	Green-orange
	33	Green-blue
34-pos.	34	Green-violet
	35	Green-gray
	36	Green-white
	37	Yellow-black
	38	Yellow-brown
	39	Yellow-red
40-pos.	40	Yellow-orange
	41	Yellow-blue
	42	Yellow-violet
	43	Yellow-gray
	44	Yellow-white
	45	Gray-black
	46	Gray-brown
	47	Gray-red
	48	Gray-orange
	49	Gray-yellow
50-pos.	50	Gray-green



Make sure you always use the latest documentation.  
It can be downloaded at [www.download.phoenixcontact.com](http://www.download.phoenixcontact.com).  
A conversion table is available on the Internet at  
[www.download.phoenixcontact.com/general/7000\\_en\\_00.pdf](http://www.download.phoenixcontact.com/general/7000_en_00.pdf).



This data sheet is valid for all products listed on the following pages:

## 1.1 Features

- 1:1 connection
- 10 to 50-pos.
- Connectors according to IEC 60603-13
- Available in any choice of length

### Note:

Due to the enlarged outer contour of the molded connectors, module types with UM45 profile cannot be connected in combination with three-level terminal blocks using the VIP-CAB-FLK... system cable.

The following module types (10 to 50-pos.) can be connected.

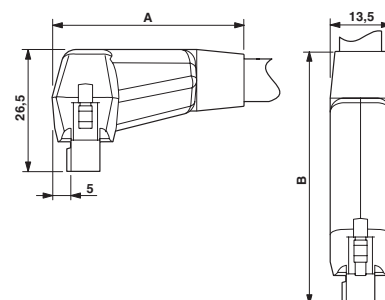
For example, for 20 positions:

- VIP-2/SC/FLK 20
- FLK 20
- FLKM 20
- FLKM 20/ZFKDS
- FLKM 20/LA
- FLKMS 20
- UM45-FLK 20 (double-level connection)
- UM45-FLK 20/ZFKDS (double-level connection)

VIP-CAB-FLK... system cables are not suitable for front adapters (see dimensional drawing).



	A	B
...FLK10...	34	46
...FLK14...	37	49
...FLK16...	37	49
...FLK20...	39	51
...FLK26...	39	51
...FLK34...	40	52
...FLK40...	40	52
...FLK50...	42	55



## 2 Ordering data

Description	Number of positions	Cable length	Type	Order No.	Pcs./ Pkt.
<b>Round cable</b> , with 2 molded socket strips	10	0.5 m	VIP-CAB-FLK10/0,14/0,5M	2318305	1
	10	1.0 m	VIP-CAB-FLK10/0,14/1,0M	2318318	1
	10	1.5 m	VIP-CAB-FLK10/0,14/1,5M	2318321	1
	10	2.0 m	VIP-CAB-FLK10/0,14/2,0M	2318334	1
	10	3.0 m	VIP-CAB-FLK10/0,14/3,0M	2318347	1
	10	4.0 m	VIP-CAB-FLK10/0,14/4,0M	2318350	1
	10	6.0 m	VIP-CAB-FLK10/0,14/6,0M	2318363	1
<b>Round cable</b> , same as above, however, in variable lengths (minimum order 5 pieces)	10		VIP-CAB-FLK10/0,14/...	2318376	1
<b>Round cable</b> , with 2 molded socket strips	14	0.5 m	VIP-CAB-FLK14/0,14/0,5M	2318389	1
	14	1.0 m	VIP-CAB-FLK14/0,14/1,0M	2318392	1
	14	1.5 m	VIP-CAB-FLK14/0,14/1,5M	2318402	1
	14	2.0 m	VIP-CAB-FLK14/0,14/2,0M	2318415	1
	14	3.0 m	VIP-CAB-FLK14/0,14/3,0M	2318428	1
	14	4.0 m	VIP-CAB-FLK14/0,14/4,0M	2318431	1
	14	6.0 m	VIP-CAB-FLK14/0,14/6,0M	2318444	1
<b>Round cable</b> , same as above, however, in variable lengths (minimum order 5 pieces)	14		VIP-CAB-FLK14/0,14/...	2318457	1



Description	Number of positions	Cable length	Type	Order No.	Pcs./ Pkt.
Round cable, with 2 molded socket strips	16	0.5 m	VIP-CAB-FLK16/0,14/0,5M	2318460	1
	16	1.0 m	VIP-CAB-FLK16/0,14/1,0M	2318473	1
	16	1.5 m	VIP-CAB-FLK16/0,14/1,5M	2318486	1
	16	2.0 m	VIP-CAB-FLK16/0,14/2,0M	2318499	1
	16	3.0 m	VIP-CAB-FLK16/0,14/3,0M	2318509	1
	16	4.0 m	VIP-CAB-FLK16/0,14/4,0M	2318512	1
	16	6.0 m	VIP-CAB-FLK16/0,14/6,0M	2318525	1
Round cable, same as above, however, in variable lengths (minimum order 5 pieces)	16		VIP-CAB-FLK16/0,14/...	2318538	1
Round cable, with 2 molded socket strips	20	0.5 m	VIP-CAB-FLK20/0,14/0,5M	2318541	1
	20	1.0 m	VIP-CAB-FLK20/0,14/1,0M	2318554	1
	20	1.5 m	VIP-CAB-FLK20/0,14/1,5M	2318567	1
	20	2.0 m	VIP-CAB-FLK20/0,14/2,0M	2318570	1
	20	3.0 m	VIP-CAB-FLK20/0,14/3,0M	2318583	1
	20	4.0 m	VIP-CAB-FLK20/0,14/4,0M	2318596	1
	20	6.0 m	VIP-CAB-FLK20/0,14/6,0M	2318606	1
Round cable, same as above, however, in variable lengths (minimum order 5 pieces)	20		VIP-CAB-FLK20/0,14/...	2318619	1
Round cable, with 2 molded socket strips	26	0.5 m	VIP-CAB-FLK26/0,14/0,5M	2318622	1
	26	1.0 m	VIP-CAB-FLK26/0,14/1,0M	2318635	1
	26	1.5 m	VIP-CAB-FLK26/0,14/1,5M	2318648	1
	26	2.0 m	VIP-CAB-FLK26/0,14/2,0M	2318651	1
	26	3.0 m	VIP-CAB-FLK26/0,14/3,0M	2318664	1
	26	4.0 m	VIP-CAB-FLK26/0,14/4,0M	2318677	1
	26	6.0 m	VIP-CAB-FLK26/0,14/6,0M	2318680	1
Round cable, same as above, however, in variable lengths (minimum order 5 pieces)	26		VIP-CAB-FLK26/0,14/...	2318693	1
Round cable, with 2 molded socket strips	34	0.5 m	VIP-CAB-FLK34/0,14/0,5M	2318703	1
	34	1.0 m	VIP-CAB-FLK34/0,14/1,0M	2318716	1
	34	1.5 m	VIP-CAB-FLK34/0,14/1,5M	2318729	1
	34	2.0 m	VIP-CAB-FLK34/0,14/2,0M	2318732	1
	34	3.0 m	VIP-CAB-FLK34/0,14/3,0M	2318745	1
	34	4.0 m	VIP-CAB-FLK34/0,14/4,0M	2318758	1
	34	6.0 m	VIP-CAB-FLK34/0,14/6,0M	2318761	1
Round cable, same as above, however, in variable lengths (minimum order 5 pieces)	34		VIP-CAB-FLK34/0,14/...	2318774	1
Round cable, with 2 molded socket strips	40	0.5 m	VIP-CAB-FLK40/0,14/0,5M	2318787	1
	40	1.0 m	VIP-CAB-FLK40/0,14/1,0M	2318790	1
	40	1.5 m	VIP-CAB-FLK40/0,14/1,5M	2318800	1
	40	2.0 m	VIP-CAB-FLK40/0,14/2,0M	2318813	1
	40	3.0 m	VIP-CAB-FLK40/0,14/3,0M	2318826	1
	40	4.0 m	VIP-CAB-FLK40/0,14/4,0M	2318839	1
	40	6.0 m	VIP-CAB-FLK40/0,14/6,0M	2318842	1
Round cable, same as above, however, in variable lengths (minimum order 5 pieces)	40		VIP-CAB-FLK40/0,14/...	2318855	1
Round cable, with 2 molded socket strips	50	0.5 m	VIP-CAB-FLK50/0,14/0,5M	2318868	1
	50	1.0 m	VIP-CAB-FLK50/0,14/1,0M	2318871	1
	50	1.5 m	VIP-CAB-FLK50/0,14/1,5M	2318884	1
	50	2.0 m	VIP-CAB-FLK50/0,14/2,0M	2318897	1
	50	3.0 m	VIP-CAB-FLK50/0,14/3,0M	2318907	1
	50	4.0 m	VIP-CAB-FLK50/0,14/4,0M	2318910	1
	50	6.0 m	VIP-CAB-FLK50/0,14/6,0M	2318923	1
Round cable, same as above, however, in variable lengths (minimum order 5 pieces)	50		VIP-CAB-FLK50/0,14/...	2318936	1

### 3 Technical data

#### General data

Maximum permissible operating voltage	< 50 V AC/60 V DC
Maximum permissible current carrying capacity per path	1 A
Maximum conductor resistance	≤ 0.16 Ω/m
Ambient temperature range	
Operation	-20°C ... +50°C
Storage/transport	-20°C ... +70°C
Conductor cross-section	0.14 mm <sup>2</sup> (26 AWG)
Conductor structure	7 litz wires, Cu tin-plated
Outside diameter	

10-pos.	6.1 mm
14-pos.	6.4 mm
16-pos.	6.8 mm
20-pos.	7.6 mm
26-pos.	8.3 mm
34-pos.	8.7 mm
40-pos.	9.9 mm
50-pos.	10.3 mm

Assembly	Insulation displacement connection method according to IEC 60352-4/ DIN EN 60352-4
----------	---

#### Approvals

UL, CUL	Applied for
---------	-------------

### 4 Ordering example for system cables

– 10-pos. cable, 7.6 m long

Quantity	Order No.	Length [m]
1	2318376	7.6
		Minimum 0.5 m
		Maximum 100.0 m
		Increment 0.1 m