



Chipsmall Limited consists of a professional team with an average of over 10 year of expertise in the distribution of electronic components. Based in Hongkong, we have already established firm and mutual-benefit business relationships with customers from,Europe,America and south Asia,supplying obsolete and hard-to-find components to meet their specific needs.

With the principle of “Quality Parts,Customers Priority,Honest Operation,and Considerate Service”,our business mainly focus on the distribution of electronic components. Line cards we deal with include Microchip,ALPS,ROHM,Xilinx,Pulse,ON,Everlight and Freescale. Main products comprise IC,Modules,Potentiometer,IC Socket,Relay,Connector.Our parts cover such applications as commercial,industrial, and automotives areas.

We are looking forward to setting up business relationship with you and hope to provide you with the best service and solution. Let us make a better world for our industry!



## Contact us

Tel: +86-755-8981 8866 Fax: +86-755-8427 6832

Email & Skype: info@chipsmall.com Web: www.chipsmall.com

Address: A1208, Overseas Decoration Building, #122 Zhenhua RD., Futian, Shenzhen, China

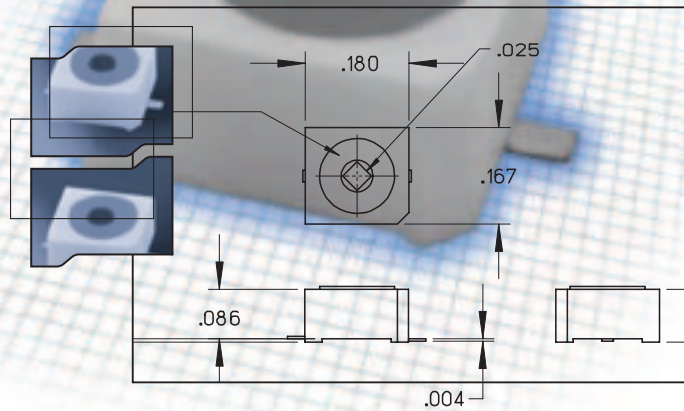


# CERA- TRIM

Based around our Thin-Trim capacitors,  
Johanson's Cera-Trims are designed  
for use in harsh environments.

The ceramic housing and color-coded  
epoxy seal protect the capacitor from  
solder fluxes and cleaning solvents.

In use, the housing continues to  
protect the trimmer and provide  
rugged reliability.



## APPLICATIONS

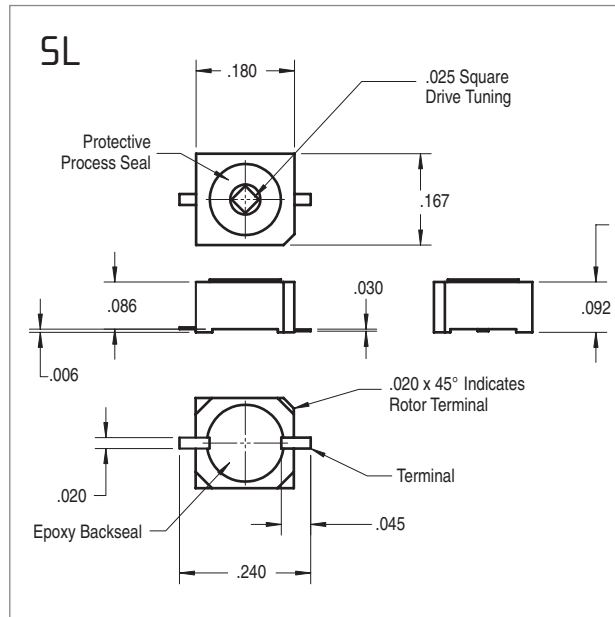
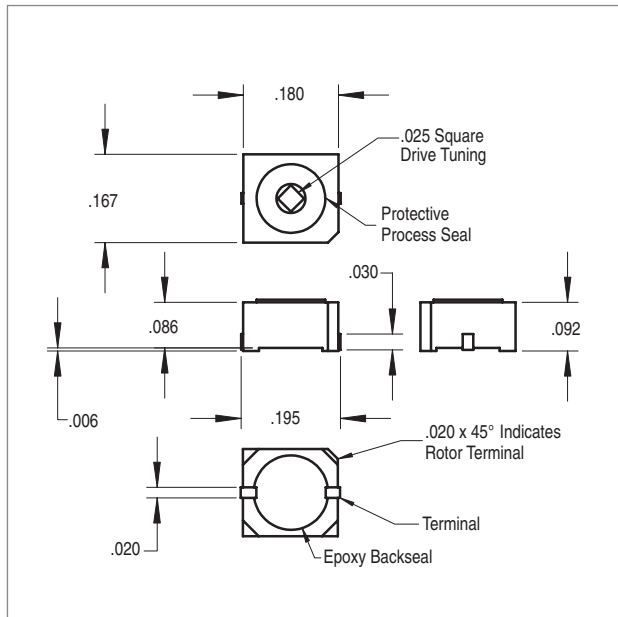
- RF amplifier
- LC Filters and Networks
- Broadband Wireless LAN
- Medical Devices
- Cordless and Cellular phones
- DR/Crystal Oscillator
- Microstrip line filters

## CHARACTERISTICS

- Working Voltage: 250 VDC (500 VDC Test)
- Insulation Resistance:  $> 10^4$  M $\Omega$
- Temperature Range: -55°C to +125°C
- Tuning Tool: 4192
- RoHS Compliant parts available

## PACKAGING

- Add suffix to JMC P/N for reel packaging  
R1=500 per reel, R2=2500 per reel



JMC P/N	RANGE PF	MIN Q @ 100 MHz	
2320-0	2320-0SL	0.6 to 2.5	3000
2320-1	2320-1SL	1.0 to 5.0	1000
2320-2	2320-2SL	2.5 to 10.0	1000
2320-3	2320-3SL	5.0 to 18.0	500
2320-4	2320-4SL	6.5 to 25.0	300

ROHS	P6	RANGE PF	MIN Q @ 100 MHz
2322-0G	2322-0GSL	0.6 to 2.5	3000
2322-1G	2322-1GSL	1.0 to 5.0	1000
2322-2G	2322-2GSL	2.5 to 10.0	1000
2322-3G	2322-3GSL	7.5 to 18.0	500
2322-4G	2322-4GSL	8.5 to 25.0	300

**IMPORTANT INFORMATION: STORAGE INSTRUCTIONS FOR CERA-TRIM®**

Sealed Cera-Trim® Capacitors are packed with a 1/6 unit of desiccant and must remain in their original packing as long as possible before soldering. Care should be taken to make sure the re-sealable outer bag is completely sealed after each use.

All Cera-Trims, with or without process seals, should be stored in a temperature and humidity controlled environment.

If sealed Cera-Trims need to be re-packed then they must be packed in a re-sealable poly/metal anti-static bag with a fresh 1/6 unit of desiccant.

If sealed Cera-Trims have been inadvertently left exposed to ambient humidity for more than 1 hour, then dry the units per the following procedure:

**For sealed units that are not in tape & reel packaging**

Place units in an oven at 35 ± 5°C for 8 hours minimum or faster drying may be done at 125 ± 5°C for 60 to 90 minutes. Re-pack using fresh desiccant packs after drying.

**For sealed units that are in tape & reel packaging**

Place units in an oven at 35 ± 5°C for 8 hours minimum. Re-pack using fresh desiccant packs after drying.

