



Chipsmall Limited consists of a professional team with an average of over 10 year of expertise in the distribution of electronic components. Based in Hongkong, we have already established firm and mutual-benefit business relationships with customers from,Europe,America and south Asia,supplying obsolete and hard-to-find components to meet their specific needs.

With the principle of “Quality Parts,Customers Priority,Honest Operation,and Considerate Service”,our business mainly focus on the distribution of electronic components. Line cards we deal with include Microchip,ALPS,ROHM,Xilinx,Pulse,ON,Everlight and Freescale. Main products comprise IC,Modules,Potentiometer,IC Socket,Relay,Connector.Our parts cover such applications as commercial,industrial, and automotives areas.

We are looking forward to setting up business relationship with you and hope to provide you with the best service and solution. Let us make a better world for our industry!



## Contact us

Tel: +86-755-8981 8866 Fax: +86-755-8427 6832

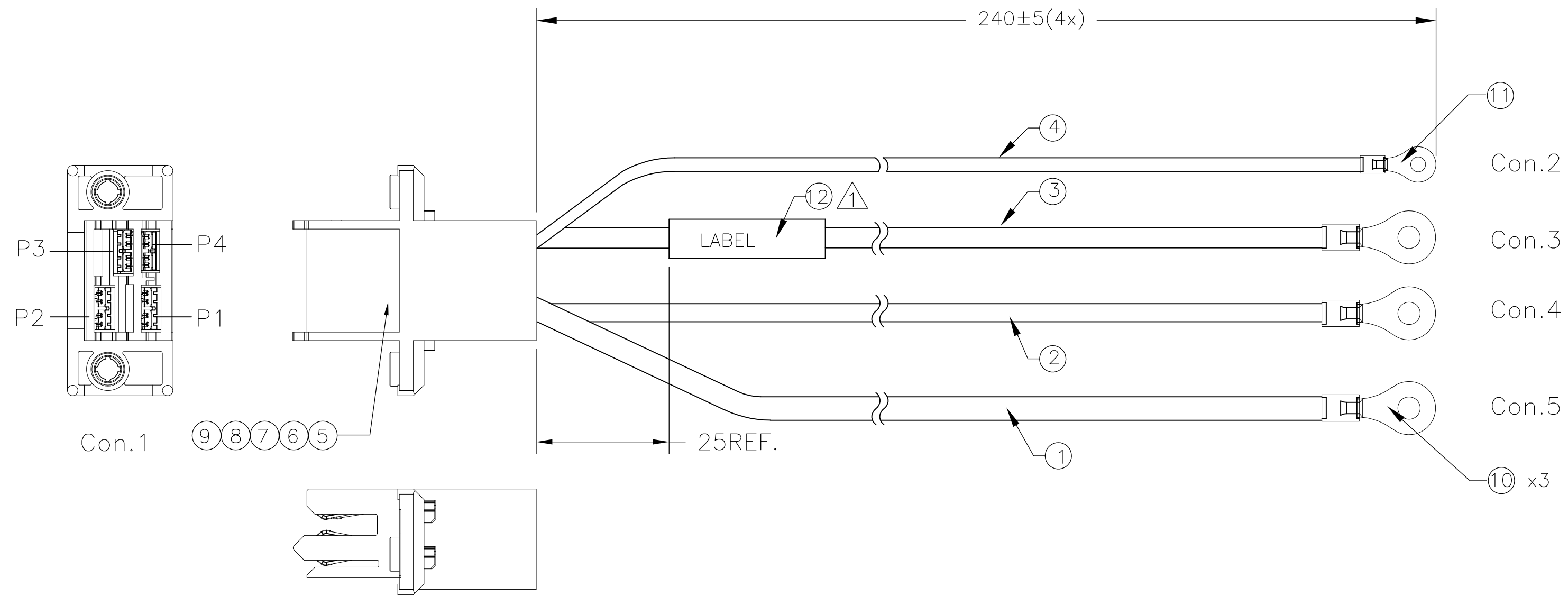
Email & Skype: info@chipsmall.com Web: www.chipsmall.com

Address: A1208, Overseas Decoration Building, #122 Zhenhua RD., Futian, Shenzhen, China



THIS DRAWING IS UNPUBLISHED. RELEASED FOR PUBLICATION  
 © COPYRIGHT - By - ALL RIGHTS RESERVED.

REVISIONS					
P	LTR	DESCRIPTION	DATE	DWN	APVD
A		RELEASED	05SEP2017	AC	DZ



WIRING CHART:

Con.1	WIRE COLOR	TO	WIRE SIZE
P1-Power	RED	Con.5	12AWG
P2-Ground	GREEN	Con.4	12AWG
P3-Return	BLACK	Con.3	12AWG
P4-Senser	WHITE	Con.2	18AWG

NOTES:

1 THE MARKING TEXT AS FOLLOWS:

TE P/N REV.\*  
 WWYY  
 MADE IN \*\*\*\*\*

—\*: TE REV.  
 — DATE CODE  
 — COUNTRY OF ORIGIN

2. 100% ELECTRICALLY TESTED: OPEN/SHORT,HI-POT.

2323858-1	CABLE ASSY ONLY
TE P/N	NOTE

QTY	PC	DESCRIPTION	ITEM
1	PC	LABEL	12
1	PC	R-TERMINAL, 18AWG, M4	11
3	PC	R-TERMINAL, 12AWG, M4	10
1	PC	SENSOR CONTACT	9
2	PC	POWER CONTACT	8
1	PC	GROUND CONTACT	7
4	PC	SECOND LOCK	6
1	PC	HOUSING, TRIBUTARY	5
AR	MR	WIRE, 18AWG, WHITE	4
AR	MR	WIRE, 12AWG, BALCK	3
AR	MR	WIRE, 12AWG, GREEN	2
AR	MR	WIRE, 12AWG, RED	1
-1	U/M	DESCRIPTION	ITEM

PRODUCT AND PROCESSING MUST MEET REQUIREMENTS OF TE CONNECTIVITY ENVIRONMENTAL STANDARD TEC-138-702

THIS DRAWING IS A CONTROLLED DOCUMENT.		DWN	09AUG2017	ADAM CHEN	
DIMENSIONS: mm		CHK	-	-	
TOLERANCES UNLESS OTHERWISE SPECIFIED:		APVD	09AUG2017	DAVID ZHANG	
0 PLC ± -		PRODUCT SPEC	-	-	
1 PLC ± -		APPLICATION SPEC	-	-	
2 PLC ± 0.25		WEIGHT	0	SIZE	A2
3 PLC ± -		FINISH	-	CAGE CODE	00779
4 PLC ± -		MATERIAL	-	DRAWING NO	C=2323858
ANGLES ± -		CUSTOMER DRAWING	-	SCALE	N.T.S
-		RESTRICTED TO	-	SHEET	1 OF 1
-		REV	A		