



Chipsmall Limited consists of a professional team with an average of over 10 year of expertise in the distribution of electronic components. Based in Hongkong, we have already established firm and mutual-benefit business relationships with customers from,Europe,America and south Asia,supplying obsolete and hard-to-find components to meet their specific needs.

With the principle of "Quality Parts,Customers Priority,Honest Operation,and Considerate Service",our business mainly focus on the distribution of electronic components. Line cards we deal with include Microchip,ALPS,ROHM,Xilinx,Pulse,ON,Everlight and Freescale. Main products comprise IC,Modules,Potentiometer,IC Socket,Relay,Connector.Our parts cover such applications as commercial,industrial, and automotives areas.

We are looking forward to setting up business relationship with you and hope to provide you with the best service and solution. Let us make a better world for our industry!



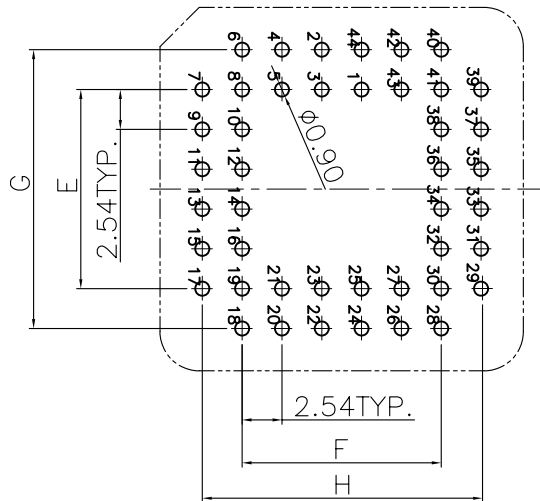
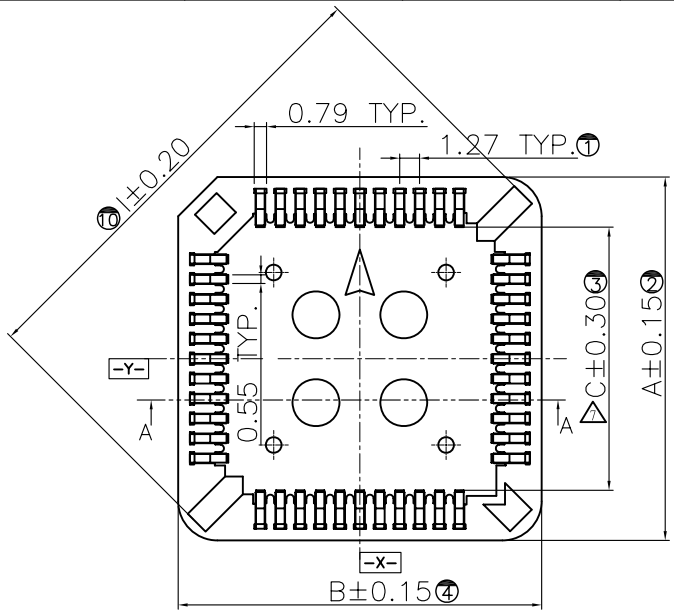
Contact us

Tel: +86-755-8981 8866 Fax: +86-755-8427 6832

Email & Skype: info@chipsmall.com Web: www.chipsmall.com

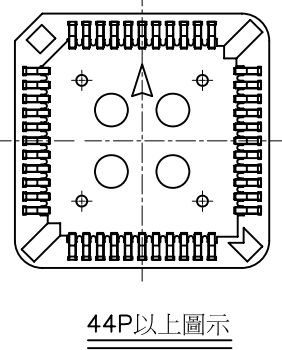
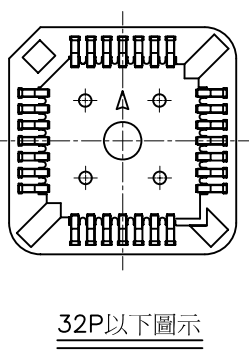
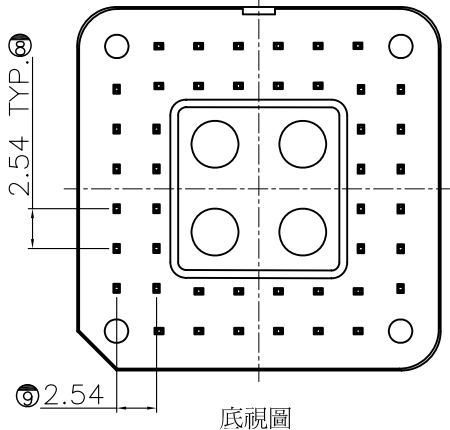
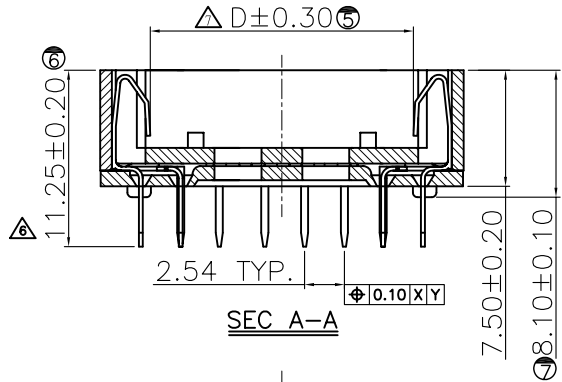
Address: A1208, Overseas Decoration Building, #122 Zhenhua RD., Futian, Shenzhen, China





RECOMMENDED P.C. BOARD LAYOUT

NOTES:
 SPECIFICATIONS:
 CURRENT RATING:1 AMP.
 VOLTAGE:250V AC/DC MAX.
 DIELECTRIC WITHSTANDING:500VAC FOR ONE MINUTE.
 CONTACT RESISTANCE:30mΩ (MAX).
 INSULATION RESISTANCE:100MΩ (MIN).
 OPERATING TEMPERATURE:-55°FXC+105°FXC
 RETENTION FORCE:0.30KG PER PIN (MIN).
 MATERIALS:
 BODY: PBT+30%GF UL 94V-0
 COVER: PBT+30%GF UL 94V-0
 CONTACTS:PHOSOR BRONZE.
 CONTACT PLATING TIN Mark is major Text Dimension.



Dimension (mm)	A	B	C	D	E	F	G	H	I
DIP - 20P	15.56	15.56	9.10	9.10	5.08	5.08	10.16	10.16	17.24
DIP - 28P	18.10	18.10	11.66	11.66	7.62	7.62	12.70	12.70	20.83
DIP - 32P	20.60	18.10	14.17	11.66	10.16	7.62	15.24	12.70	22.61
DIP - 44P	23.48	23.48	16.78	16.78	12.70	12.70	17.78	17.78	28.50
DIP - 52P	25.88	25.88	19.28	19.28	15.24	15.24	20.32	20.32	32.45
DIP - 68P	31.66	31.66	24.35	24.35	20.32	20.32	25.40	25.40	39.30
DIP - 84P	36.66	36.66	29.38	29.38	25.40	25.40	30.48	30.48	46.85

10/06/24	Jody	EG-N1013112	更改尺寸公差		△	A7
10/05/04	Jody	EG-N1013104	更改尺寸		△	A6
DATE	DR.BY	ECN.NO.	DESCRIPTION		MARK	VER.
-TOLERANCES- UNLESS OTHERWISE SPECIFIED 公差參考表			<h2 style="text-align: center;">CnC Tech, LLC</h2>			
					TITLE: 產品名稱 : PLCC 0.25 DIP180度成品	
X.X	±0.25	X.X°	±3.00°	APPD: 核准:	PRODUCT NO: 產品編號 : 233-XX	
X.XX	±0.15	X.XX°	±1.00°	CHECK: 校對:	DATE	SCALE UNIT TYPE PAGE
X.XXX	±0.050	X.XXX°	±0.500°	DRAW: 繪圖:	2010.06.24	1:1 mm PD 1/1