



Chipsmall Limited consists of a professional team with an average of over 10 year of expertise in the distribution of electronic components. Based in Hongkong, we have already established firm and mutual-benefit business relationships with customers from,Europe,America and south Asia,supplying obsolete and hard-to-find components to meet their specific needs.

With the principle of “Quality Parts,Customers Priority,Honest Operation,and Considerate Service”,our business mainly focus on the distribution of electronic components. Line cards we deal with include Microchip,ALPS,ROHM,Xilinx,Pulse,ON,Everlight and Freescale. Main products comprise IC,Modules,Potentiometer,IC Socket,Relay,Connector.Our parts cover such applications as commercial,industrial, and automotives areas.

We are looking forward to setting up business relationship with you and hope to provide you with the best service and solution. Let us make a better world for our industry!



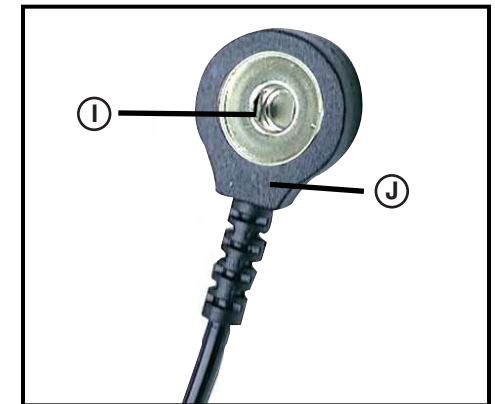
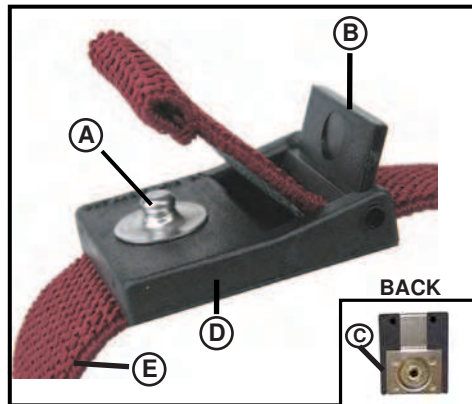
Contact us

Tel: +86-755-8981 8866 Fax: +86-755-8427 6832

Email & Skype: info@chipsmall.com Web: www.chipsmall.com

Address: A1208, Overseas Decoration Building, #122 Zhenhua RD., Futian, Shenzhen, China





WRIST STRAP:

- A. Stamped 4mm (nominal) stud. To fit 4mm (nominal) spring loaded medical snap socket.
- B. Easy to open plastic clasp secures elastic material in place, and allows the user to easily adjust the wrist band size. Maintains electrical continuity even when open.
- C. Non-allergenic stainless steel base plate, provides excellent skin contact, for superior grounding.
- D. Insulating cap, thermoplastic.
- E. Soft elastic band.

Band Circumference:
 Min: 3" 76mm
 Max: 15" 381mm
 Width: 0.75" 19mm

GROUND CORD:

- F. Barrel type banana plug. Fits industry standard banana jack 4.22mm (nominal).
- G. Metallized, high flex tinsel, black jacket.
- H. Alligator clip included.
- I. Spring loaded snap socket.
- J. One megohm, resistor, molded within snap assembly, limits current for operator safety.

The color of the band material may vary.

Item	Description
23311	Wrist Strap, Economy, Adjustable, 12 ft Cord, 4mm
23312	Wrist Strap, Economy, Adjustable, 6 ft Cord, 4mm

Specifications and procedures subject to change without notice

Wrist Strap, Adjustable, Economy

ESD SYSTEMS.com

[ESD SYSTEMS.COM](http://ESDSYSTEMS.COM)
 432 NORTHBORO ROAD CENTRAL
 MARLBORO, MA 01752 USA
 TEL. (508) 485-7390 FAX (508) 480-0257

DRAWING NUMBER
 TD-23311

DATE
 May
 2010