



Chipsmall Limited consists of a professional team with an average of over 10 year of expertise in the distribution of electronic components. Based in Hongkong, we have already established firm and mutual-benefit business relationships with customers from,Europe,America and south Asia,supplying obsolete and hard-to-find components to meet their specific needs.

With the principle of "Quality Parts,Customers Priority,Honest Operation,and Considerate Service",our business mainly focus on the distribution of electronic components. Line cards we deal with include Microchip,ALPS,ROHM,Xilinx,Pulse,ON,Everlight and Freescale. Main products comprise IC,Modules,Potentiometer,IC Socket,Relay,Connector.Our parts cover such applications as commercial,industrial, and automotives areas.

We are looking forward to setting up business relationship with you and hope to provide you with the best service and solution. Let us make a better world for our industry!



Contact us

Tel: +86-755-8981 8866 Fax: +86-755-8427 6832

Email & Skype: info@chipsmall.com Web: www.chipsmall.com

Address: A1208, Overseas Decoration Building, #122 Zhenhua RD., Futian, Shenzhen, China



THIS DRAWING IS UNPUBLISHED.

RELEASED FOR PUBLICATION

20

© COPYRIGHT 20 BY -

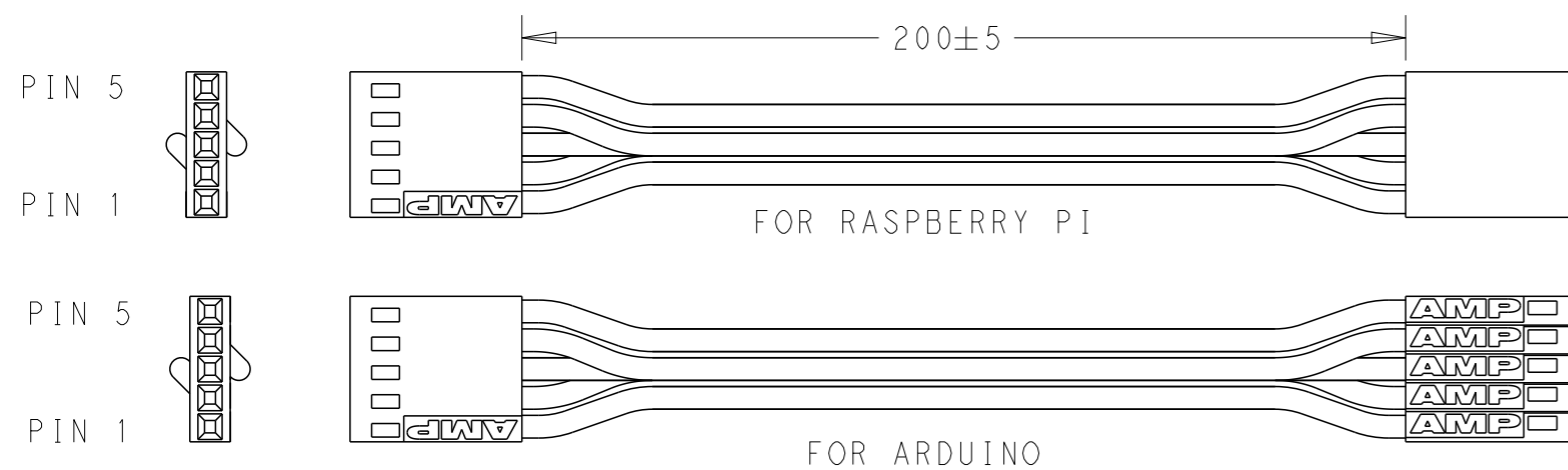
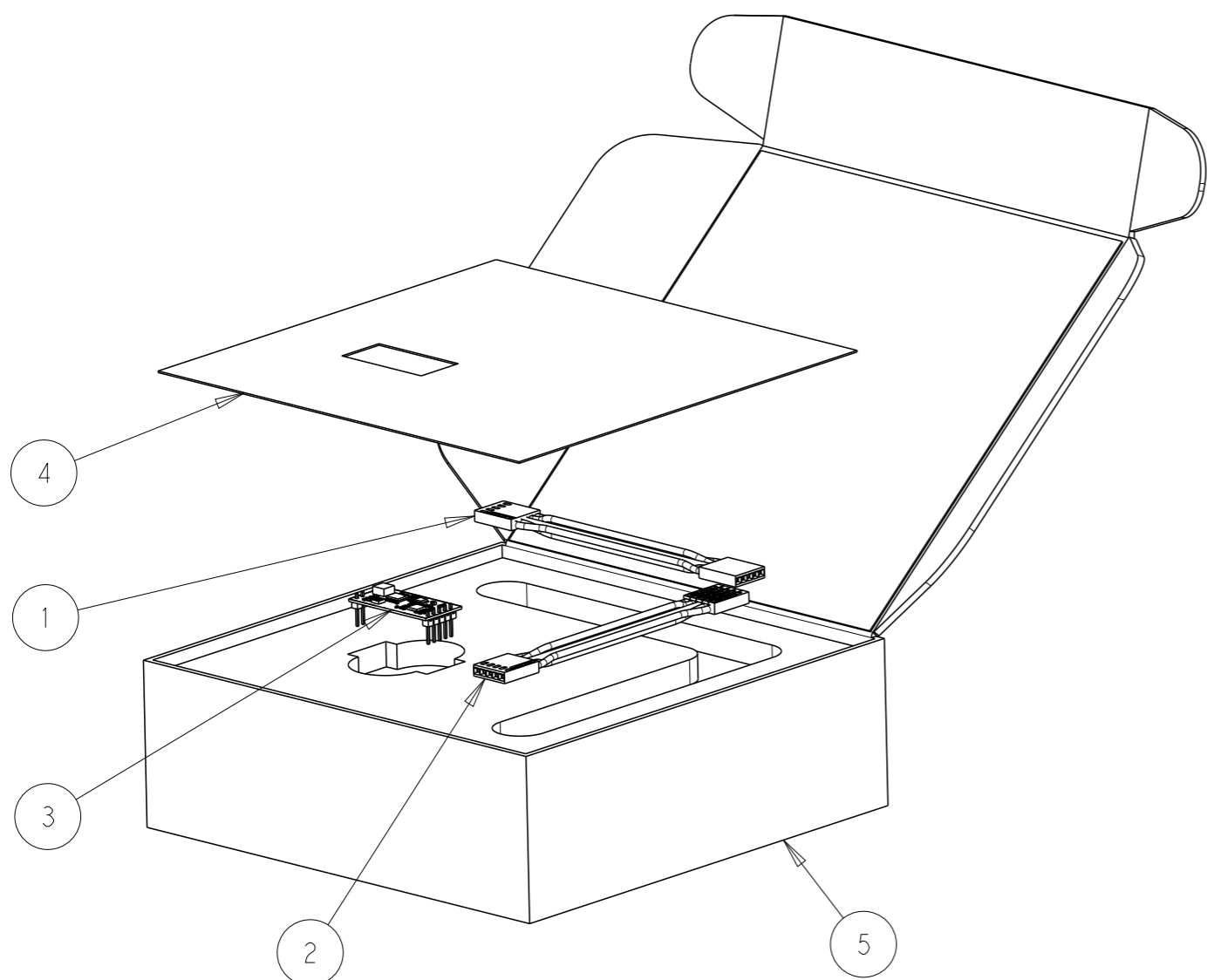
ALL RIGHTS RESERVED.

REVISIONS

| P | LTR | DESCRIPTION | DATE | DWN | APVD |
|---|-----|-------------------------|-----------|-----|------|
| A | | RELEASED FOR PRODUCTION | 04JUL2018 | SM | OL |

NOTE:

- REFER TE APPLICATION SPECIFICATION 114-133115 FOR MORE DETAILS.
- REFER WWW.TE.COM/AMBIMATE TO DOWNLOAD APPLICATION SOFTWARE



| QTY | UNIT | DESCRIPTION | ITEM | |
|-----------|-----------|-------------|---------------------------------|------|
| 1 | 1 | 1 | PACKING BOX | 5 |
| 1 | 1 | 1 | INLAY | 4 |
| - | - | 1 | AMBIMATE KIT, MS4, TH | 3 |
| - | 1 | - | AMBIMATE KIT, MS4, TH, WITH MIC | |
| 1 | - | - | AMBIMATE KIT, MS4, TH, WITH CO2 | 2 |
| 1 | 1 | 1 | ARDUINO CABLE ASSY | 2 |
| 1 | 1 | 1 | RASPBERRY PI CABLE ASSY | 1 |
| 2331211-2 | 2331211-2 | 2331211-1 | DESCRIPTION | ITEM |

THIS DRAWING IS A CONTROLLED DOCUMENT.

| DIMENSIONS: | | TOLERANCES UNLESS OTHERWISE SPECIFIED: | |
|-------------|--|----------------------------------------|------|
| mm | | 0 PLC | ±- |
| | | 1 PLC | ±0.5 |
| | | 2 PLC | ±- |
| | | 3 PLC | ±- |
| | | 4 PLC | ±- |
| MATERIAL | | ANGLES | ±- |
| - | | FINISH | ±- |
| - | | | - |

| | | |
|------------------|------------|-----------|
| DWN | RAVI.S | 06MAR2018 |
| CHK | SUBHASH.M | 06MAR2018 |
| APVD | OLAF.L | 06MAR2018 |
| PRODUCT SPEC | 108-133092 | |
| APPLICATION SPEC | 114-133115 | |
| WEIGHT | - | |
| CUSTOMER DRAWING | | |

| | | | |
|---------------------------|-----------|------------|---------------|
| TE TE Connectivity | | | |
| NAME AMBIMATE KIT, MS4 | | | |
| SIZE | CAGE CODE | DRAWING NO | RESTRICTED TO |
| A3 | 00779 | C-2331211 | - |
| SCALE | | SHEET | REV |
| 1:2 | | 1 OF 1 | A |