



Chipsmall Limited consists of a professional team with an average of over 10 year of expertise in the distribution of electronic components. Based in Hongkong, we have already established firm and mutual-benefit business relationships with customers from,Europe,America and south Asia,supplying obsolete and hard-to-find components to meet their specific needs.

With the principle of “Quality Parts,Customers Priority,Honest Operation,and Considerate Service”,our business mainly focus on the distribution of electronic components. Line cards we deal with include Microchip,ALPS,ROHM,Xilinx,Pulse,ON,Everlight and Freescale. Main products comprise IC,Modules,Potentiometer,IC Socket,Relay,Connector.Our parts cover such applications as commercial,industrial, and automotives areas.

We are looking forward to setting up business relationship with you and hope to provide you with the best service and solution. Let us make a better world for our industry!



Contact us

Tel: +86-755-8981 8866 Fax: +86-755-8427 6832

Email & Skype: info@chipsmall.com Web: www.chipsmall.com

Address: A1208, Overseas Decoration Building, #122 Zhenhua RD., Futian, Shenzhen, China



AMP*パワー・ダブル・ロック・
コネクタ用引抜工具取扱説明書
The extraction tool for AMP Power Double Lock
connectors, Instruction Sheet
234912-1

Instruction Sheet
411-5751
Rev. O 10 APR 96

AMP

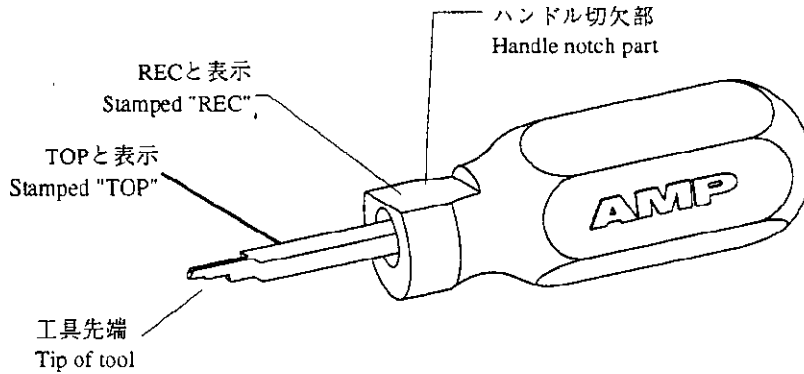


Fig. 1

1. はじめに

この取扱説明書は、AMPパワー・ダブル・ロック・リセ・コンタクトをプラグ・ハウジングから引き抜く際に使用する引抜工具（型番234912-1）の取り扱いについて説明するものです。作業の前に必ずお読みください。

1. Introduction

This Instruction Sheet explains the handling of the extraction tool (P/N 234912-1) used in case AMP Power Double Lock connector contact is extracted from a plug housing.

Please be sure to read before use.

2. 適用製品

2. Applicable Products

Receptacle Contact P/N リセコンタクト型番	Plug Housing プラグハウジング
177914-[]	316768-[]
177915-[]	177898-[]
	177899-[]
	316501-[]
	177900-[]
	177901-[]
	177902-[]
	177903-[]
	177904-[]
	177905-[]
	179938-[]
	179939-[]
	179861-[]
	179862-[]
	917354-[]

3. 使用手順

以下の手順でコンタクトを引き抜いて下さい。

3. Extraction Procedure

Please extract a contact in the following procedure.

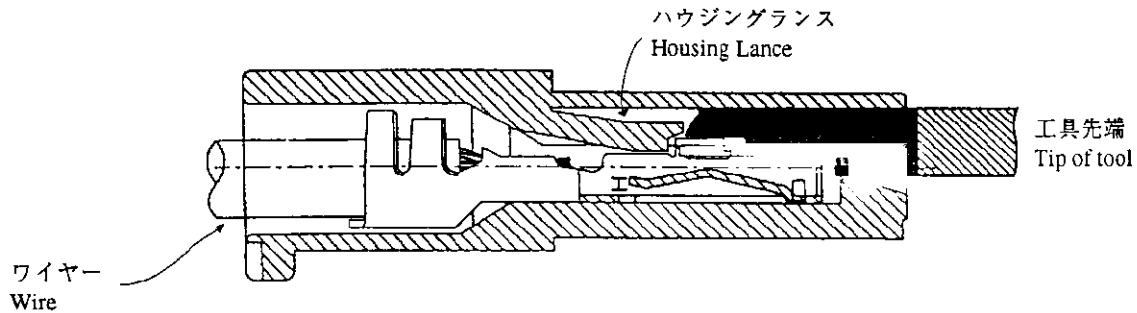


Fig. 2

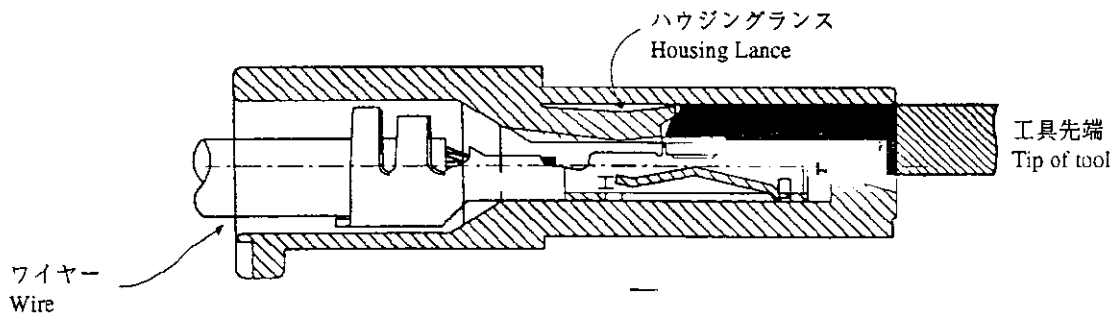


Fig. 3

[手順]

- 1) 工具ハンドルの切欠部を上にしてかん合側から先端を挿入してください。(Fig.2)
- 2) 工具先端をさらに挿入するとハウジングランスが押し上げられコンタクトが引き抜ける状態になります。(Fig.3)
- 3) その状態で電線を持ち、コンタクトを引き抜いて下さい。(Fig.3)

[procedure]

- 1) Hold the tool so that the notch part of a tool handle up and insert a tip from a mating side.
- 2) Insert the tool tip further, it will become the state that a housing lance is pushed up and contact can be extracted. (Fig. 3)
- 3) Hold an electric wire in this condition and extract contact. (Fig.3)



引き抜いたコンタクトを再使用する場合は圧着部等に変形が無いことを確認し、異常があるものは使用しないでください。導通不良等の原因になります。



When you re-use extracted contact, please check that there is no damages in a crimping part etc., and do not use damaged contact.

It becomes causes, such as poor performance of the connector.