



Chipsmall Limited consists of a professional team with an average of over 10 year of expertise in the distribution of electronic components. Based in Hongkong, we have already established firm and mutual-benefit business relationships with customers from,Europe,America and south Asia,supplying obsolete and hard-to-find components to meet their specific needs.

With the principle of “Quality Parts,Customers Priority,Honest Operation,and Considerate Service”,our business mainly focus on the distribution of electronic components. Line cards we deal with include Microchip,ALPS,ROHM,Xilinx,Pulse,ON,Everlight and Freescale. Main products comprise IC,Modules,Potentiometer,IC Socket,Relay,Connector.Our parts cover such applications as commercial,industrial, and automotives areas.

We are looking forward to setting up business relationship with you and hope to provide you with the best service and solution. Let us make a better world for our industry!



Contact us

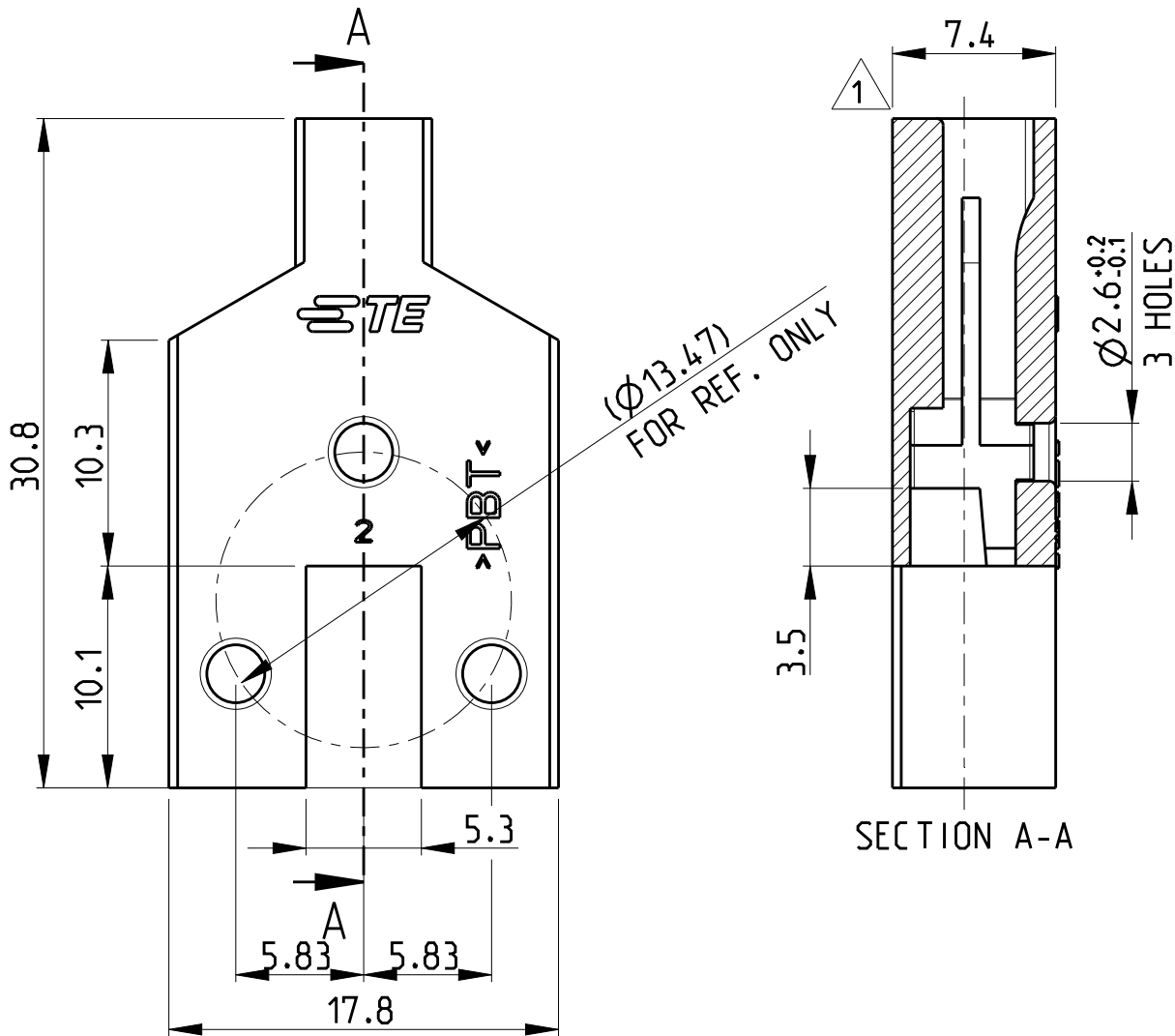
Tel: +86-755-8981 8866 Fax: +86-755-8427 6832

Email & Skype: info@chipsmall.com Web: www.chipsmall.com

Address: A1208, Overseas Decoration Building, #122 Zhenhua RD., Futian, Shenzhen, China



LOC	DIST	REVISIONS				
P	LTR	DESCRIPTION	DATE	DWN	APVD	
A1	-					
		C5	REVISED AS PER ECR-14-018593	12DEC2014	MKD RRP	
		C6	REVISED AS PER ECR-15-004469	01APR2015	MKD RRP	



- 1 3 TYPICAL CAVITY SUITABLE FOR RECEPTACLE PN 62131-5 AND 2178453-1
- 2 OBSOLETE
- 3 MATERIAL ACCORDING TO UL94 V0
- 4 PRELIMINARY

YELLOW	PBT GF20	235280-6
BLACK	PBT GF30	235280-5
NATURAL	PBT GF30 (UL94 V0)	235280-3 3
NATURAL	PBT GF20	235280-1
COLOUR	MATERIAL	PART NO

RELEASED FOR PUBLICATION

ALL RIGHTS RESERVED.

THIS DRAWING IS UNPUBLISHED.

COPYRIGHT

DIMENSIONS: mm		DWN DHANESH 12DEC2011	MATERIAL SEE TABLE	FINISH -		
TOLERANCES UNLESS OTHERWISE SPECIFIED:		CHK DHANESH 12DEC2011	TE Connectivity			
0 PLC ±0.3	1 PLC ±0.3	APVD RAJENDRA 12DEC2011				
2 PLC ±0.2	3 PLC ±-	PRODUCT SPEC -	NAME CLUSTER BLOCK HSG 2.29mm DIA			
4 PLC ±-	ANGLES ±1°	APPLICATION SPEC -				
		WEIGHT -	SIZE A4	CAGE CODE 00779	DRAWING NO C-235280	RESTRICTED TO -
Customer Drawing			SCALE 3:1	SHEET 1 OF 1	REV C6	