



Chipsmall Limited consists of a professional team with an average of over 10 year of expertise in the distribution of electronic components. Based in Hongkong, we have already established firm and mutual-benefit business relationships with customers from,Europe,America and south Asia,supplying obsolete and hard-to-find components to meet their specific needs.

With the principle of "Quality Parts,Customers Priority,Honest Operation,and Considerate Service",our business mainly focus on the distribution of electronic components. Line cards we deal with include Microchip,ALPS,ROHM,Xilinx,Pulse,ON,Everlight and Freescale. Main products comprise IC,Modules,Potentiometer,IC Socket,Relay,Connector.Our parts cover such applications as commercial,industrial, and automotives areas.

We are looking forward to setting up business relationship with you and hope to provide you with the best service and solution. Let us make a better world for our industry!



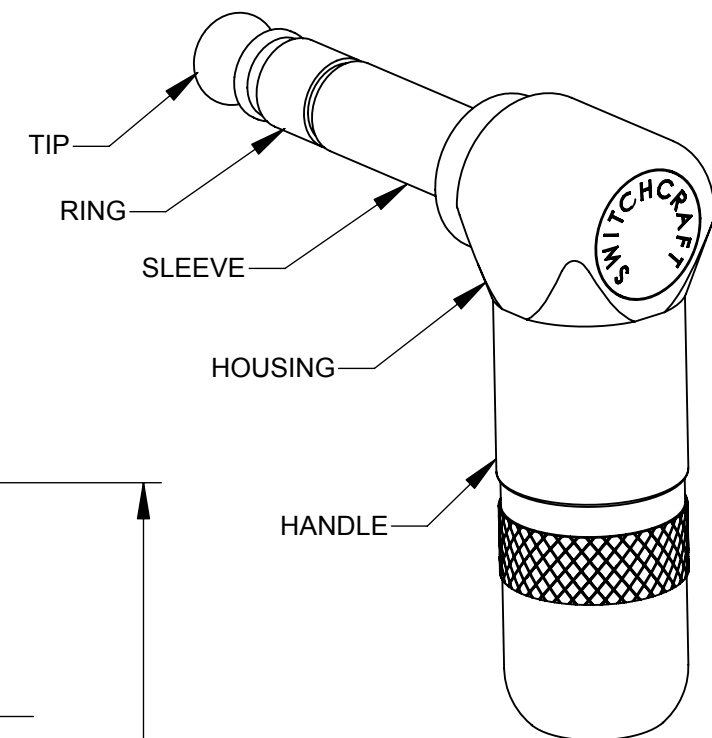
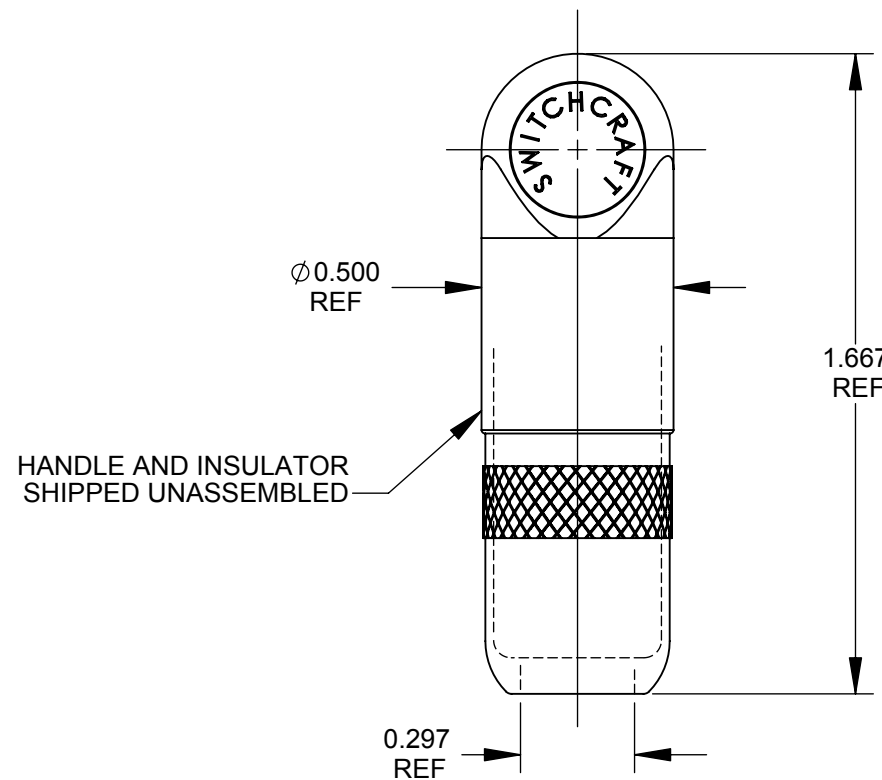
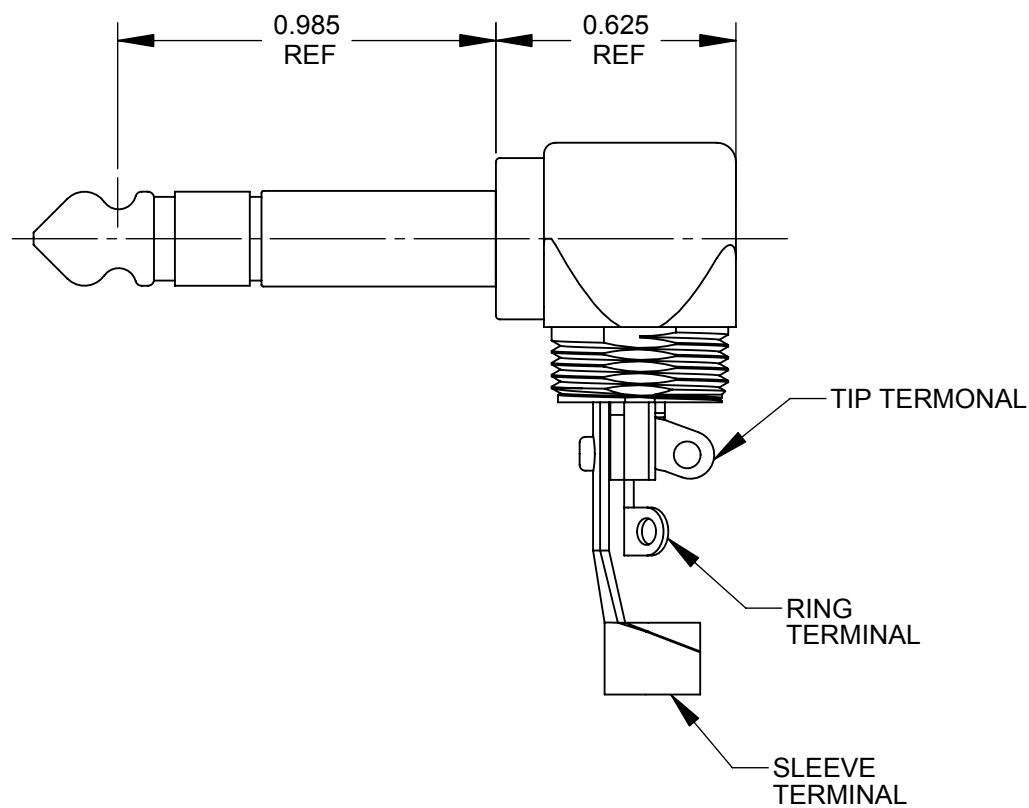
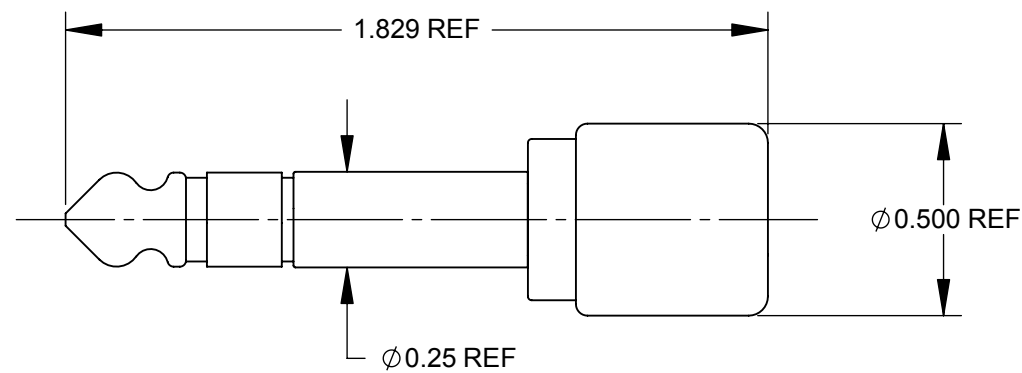
Contact us

Tel: +86-755-8981 8866 Fax: +86-755-8427 6832

Email & Skype: info@chipsmall.com Web: www.chipsmall.com

Address: A1208, Overseas Decoration Building, #122 Zhenhua RD., Futian, Shenzhen, China





SPECIFICATIONS:

- MATERIAL**
- TIP ROD, RING AND HANDLE - BRASS, NICKEL PLATED
 - HOUSING AND SLEEVE - ZINC DIE CAST, COPPER AND NICKEL PLATED
 - TIP AND RING TERMINALS - BRASS, TIN PLATED
 - SLEEVE (CLAMP) TERMINAL - STEEL, TIN PLATED
 - INSULATION - THERMOPLASTIC

- ELECTRICAL**
- DIELECTRIC WITHSTANDING VOLTAGE : 500 VAC
 - INSULATION RESISTANCE: 50,000 MEGOHMS MINIMUM (INITIAL)

- OPERATING TEMPERATURE**
- 20°C TO +65°C

- MATING JACK**
- TYP, 1/4 INCH, COMMERCIAL TYPE, 3 CONDUCTOR PHONE JACKS

H THIS PRODUCT IS RoHS COMPLIANT.

CUSTOMER DRAWING

REV	ECO NUMBER	DATE	BY	APVD
H	25760	12-5-07	TJK	TJK
G	CAD REDRAWN 25124	10-28-05	JL	GG
REVISIONS				

UNLESS OTHERWISE SPECIFIED

- ALL DIMENSIONS IN INCHES
- TWO PLACE DECIMALS ±0.02
- THREE PLACE DECIMALS ±0.005

DO NOT SCALE DRAWING

THIS DRAWING DESCRIBES A DESIGN CONSIDERED PROPRIETARY IN NATURE, DEVELOPED AND MANUFACTURED BY SWITCHCRAFT INC. AND IS RELEASED ON A CONFIDENTIAL BASIS FOR IDENTIFICATION PURPOSES ONLY.

SIZE *	WIDTH *	MULT *	LBS/M *	TEMPER *
FINISH *				MATERIAL *
SPEC No. *				SPEC No. *
FIRST USED ON *		SCALE 2:1		
DATE DRAWN	BY	CHKD	APVD	Switchcraft®
10-28-05	JL	GG	GG	
		10-28-05	10-28-05	SHEET 1 OF 1
NAME RA PHONE PLUG, 3 CONDUCTOR, RoHS			PART No. 236	REV H

SolidWorks CAD File **B**