



Chipsmall Limited consists of a professional team with an average of over 10 year of expertise in the distribution of electronic components. Based in Hongkong, we have already established firm and mutual-benefit business relationships with customers from,Europe,America and south Asia,supplying obsolete and hard-to-find components to meet their specific needs.

With the principle of “Quality Parts,Customers Priority,Honest Operation,and Considerate Service”,our business mainly focus on the distribution of electronic components. Line cards we deal with include Microchip,ALPS,ROHM,Xilinx,Pulse,ON,Everlight and Freescale. Main products comprise IC,Modules,Potentiometer,IC Socket,Relay,Connector.Our parts cover such applications as commercial,industrial, and automotives areas.

We are looking forward to setting up business relationship with you and hope to provide you with the best service and solution. Let us make a better world for our industry!



Contact us

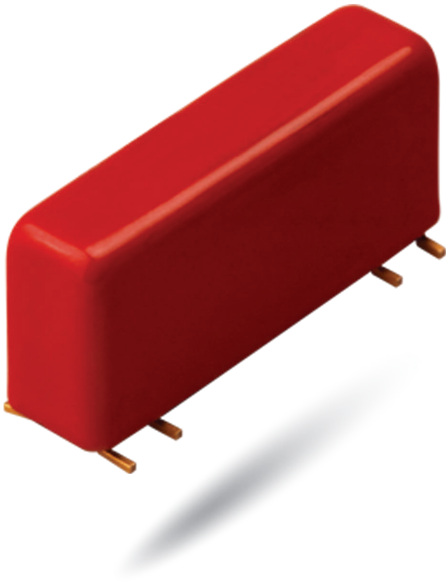
Tel: +86-755-8981 8866 Fax: +86-755-8427 6832

Email & Skype: info@chipsmall.com Web: www.chipsmall.com

Address: A1208, Overseas Decoration Building, #122 Zhenhua RD., Futian, Shenzhen, China



2362 SMD 2 FORM C REED RELAY



2362 Series SMD 2 Form C Reed Relay

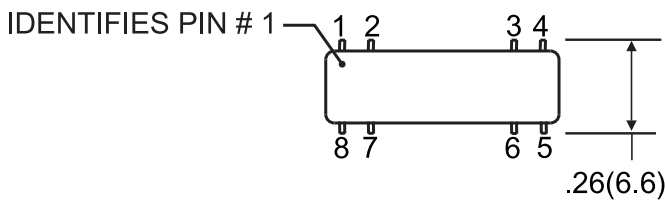
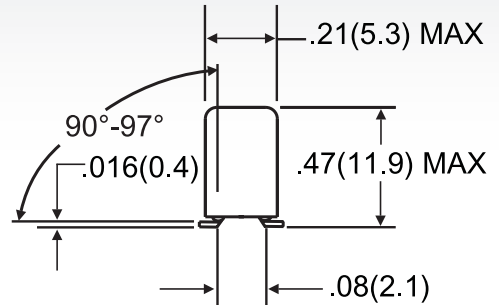
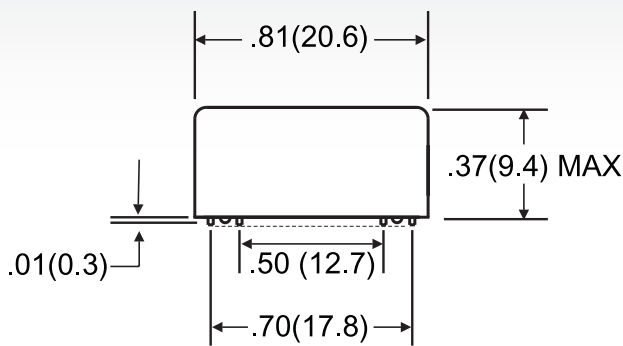
The 2362 is the Surface Mount version of Coto Technology's popular 2342 2 Form C Pico relay. The 2362 offers a proven reed design with longer life than competing 2 Form C EMR products. The 2362 is the ideal solution for automated test, instrumentation and telecommunication applications to increase system reliability and life.

2362 Series Features

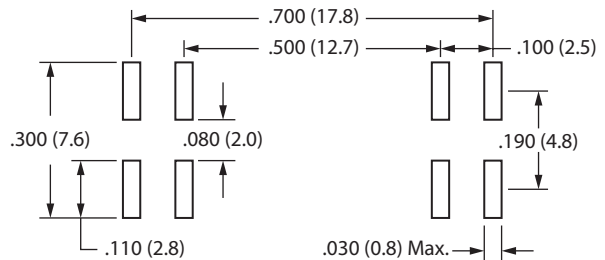
- ▶ 2 Form C Contacts
- ▶ Hermetically Sealed Contacts
- ▶ Long Life / High Reliability
- ▶ Magnetically Shielding Steel Shell
- ▶ Surface Mount Relay
- ▶ RoHS compliant

DIMENSIONS

in Inches (Millimeters)



RECOMMENDED LAND PATTERN DIMENSIONS PER IPC STANDARDS



Ordering Information

Part Number 2362-XX-000

Coil Voltage

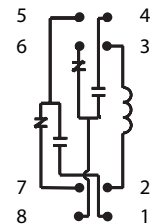
05=5 volts

12=12 volts

06222015

MODEL NUMBER			2362
Parameters	Test Conditions	Units	2 Form C
COIL SPECS.			
Nom. Coil Voltage		VDC	5 12
Coil Resistance	+/- 10%, 25° C	Ω	175 1000
Operate Voltage	Must Operate by	VDC - Max.	3.8 9.0
Release Voltage	Must Release by	VDC - Min.	0.4 1.0
CONTACT RATINGS			
Switching Voltage	Max DC/Peak AC Resist.	Volts	100
Switching Current	Max DC/Peak AC Resist.	Amps	0.25
Carry Current	Max DC/Peak AC Resist.	Amps	0.5
Contact Rating	Max DC/Peak AC Resist.	Watts	3
Life Expectancy-Typical ¹	Signal Level 1.0V, 10mA	x 10 ⁶ Ops.	250
Static Contact Resistance (max. init.)	50mV, 10mA	Ω	0.200
Dynamic Contact Resistance (max. init.)	0.5V, 50mA at 100 Hz, 1.5 msec	Ω	0.250
RELAY SPECIFICATIONS			
Insulation Resistance (minimum)	Between all Isolated Pins at 100V, 25°C, 40% RH	Ω	10 ⁹
Capacitance - Typical Across Open Contacts	No Shield	pF	2.0
	Shield Guarding	pF	N/A
Dielectric Strength (minimum)	Between Contacts	VDC/peak AC	200
	Contacts to Shield	AC	N/A
	Contacts/Shield to Coil	VDC/peak AC	1000
Operate Time - including bounce - Typical	At Nominal Coil Voltage, 30 Hz Square Wave	msec.	1.5
Release Time - Typical		msec.	2.0

Top View:
Dot stamped on top of relay refers to pin #1 location
Grid = .1"x.1" (2.54mm x 2.54mm)



Notes:

¹ Consult factory for life expectancy at other switching loads.

Environmental Ratings:

Storage Temp: -35°C to +100°C; *Operating Temp:* -20°C to +85°C

Max Relay Temp During Solder Reflow Process: 260°C for 1 minute maximum

All electrical parameters measured at 25°C unless otherwise specified.

Vibration: 20 G's to 2000 Hz; *Shock:* 50 G's

06222015