



Chipsmall Limited consists of a professional team with an average of over 10 year of expertise in the distribution of electronic components. Based in Hongkong, we have already established firm and mutual-benefit business relationships with customers from,Europe,America and south Asia,supplying obsolete and hard-to-find components to meet their specific needs.

With the principle of “Quality Parts,Customers Priority,Honest Operation,and Considerate Service”,our business mainly focus on the distribution of electronic components. Line cards we deal with include Microchip,ALPS,ROHM,Xilinx,Pulse,ON,Everlight and Freescale. Main products comprise IC,Modules,Potentiometer,IC Socket,Relay,Connector.Our parts cover such applications as commercial,industrial, and automotives areas.

We are looking forward to setting up business relationship with you and hope to provide you with the best service and solution. Let us make a better world for our industry!



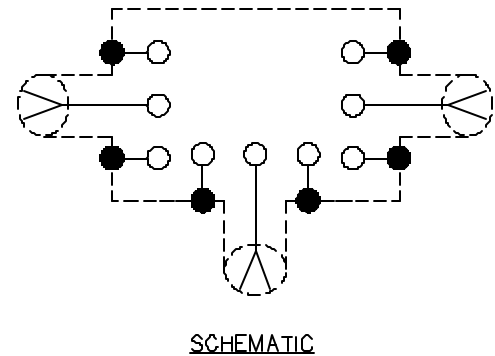
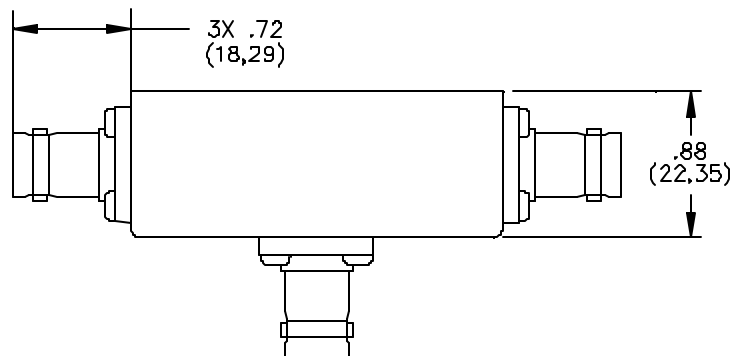
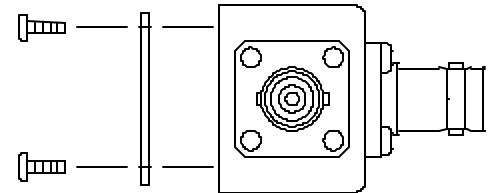
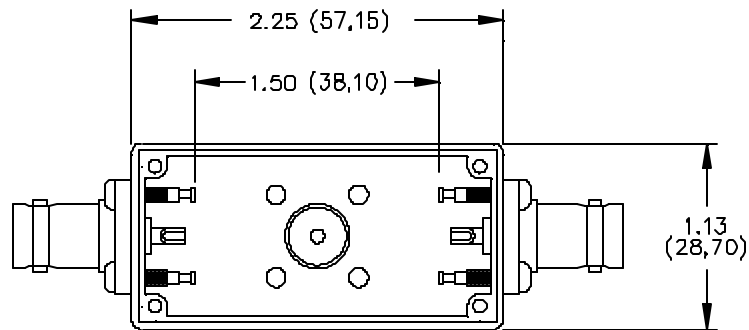
## Contact us

Tel: +86-755-8981 8866 Fax: +86-755-8427 6832

Email & Skype: info@chipsmall.com Web: www.chipsmall.com

Address: A1208, Overseas Decoration Building, #122 Zhenhua RD., Futian, Shenzhen, China





### MATERIALS:

Connector:

Body: Tarnish Resistant Plating, Center Contact: Female - Gold Plated Beryllium Copper

Solder Turret Terminal Screws: Steel 6 ea. #4-40

Shielded Housing: Die cast aluminum alloy A380 and A394

Finish: Blue baked enamel per Federal Standard 595 #25109 over Phosphoric Etch.

Cover: .040 thick aluminum 1100-H14

Finish: Clear anodized.

Marking: "Pomona Electronics Calif."

Screws: Steel 4 each 2-32 x 1/4" Pan Head, self-tapping.

### RATINGS:

Operating Voltage: Inner conductor/shield: 500 VRMS Max.

Operating Temperature: -55°C to +150°C

Nominal Impedance: 50 Ohms

### ORDERING INFORMATION: Model 2392

All dimensions are in inches. Tolerances (except noted): .xx = ±.02" (.51 mm), .xxx = ±.005" (.127 mm).

All specifications are to the latest revisions. Specifications are subject to change without notice.

Registered trademarks are the property of their respective companies. Made in USA