



Chipsmall Limited consists of a professional team with an average of over 10 year of expertise in the distribution of electronic components. Based in Hongkong, we have already established firm and mutual-benefit business relationships with customers from,Europe,America and south Asia,supplying obsolete and hard-to-find components to meet their specific needs.

With the principle of "Quality Parts,Customers Priority,Honest Operation,and Considerate Service",our business mainly focus on the distribution of electronic components. Line cards we deal with include Microchip,ALPS,ROHM,Xilinx,Pulse,ON,Everlight and Freescale. Main products comprise IC,Modules,Potentiometer,IC Socket,Relay,Connector.Our parts cover such applications as commercial,industrial, and automotives areas.

We are looking forward to setting up business relationship with you and hope to provide you with the best service and solution. Let us make a better world for our industry!



## Contact us

Tel: +86-755-8981 8866 Fax: +86-755-8427 6832

Email & Skype: info@chipsmall.com Web: www.chipsmall.com

Address: A1208, Overseas Decoration Building, #122 Zhenhua RD., Futian, Shenzhen, China

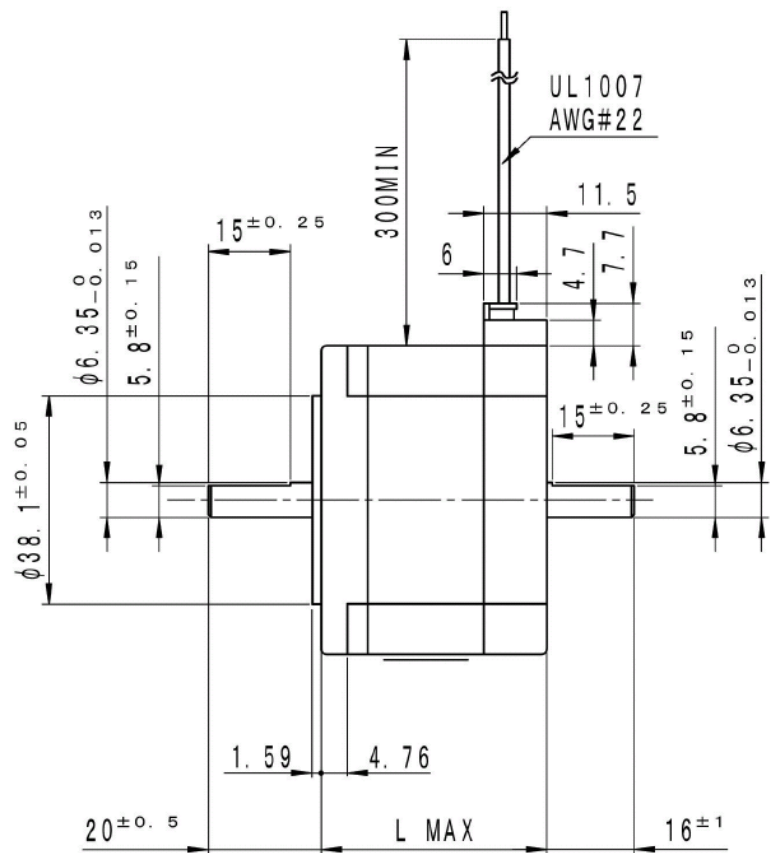
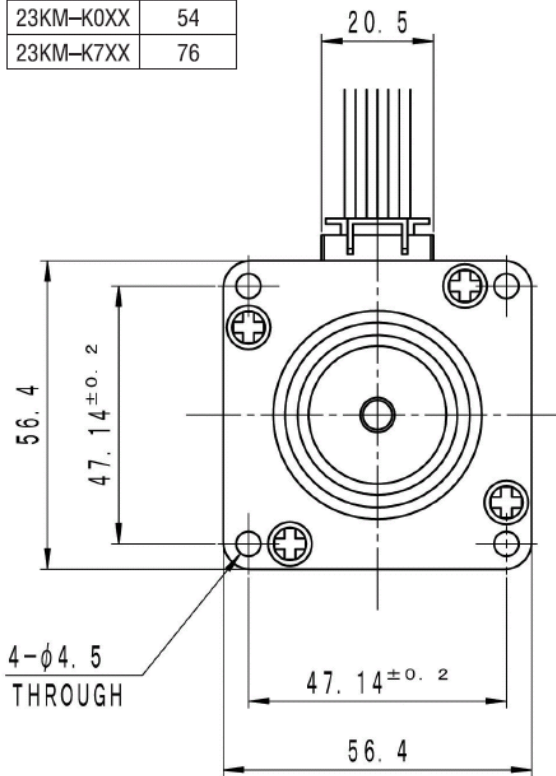


## Standard Hybrid Step Motors

# 23KM-K

23KM-KXXX (56□ 1.8°)

Model	Length	UNIT: mm
23KM-K2XX	42	
23KM-K0XX	54	
23KM-K7XX	76	



# 23KM-K

Part Number	Motor Size [mm]	Step Angle [deg]	Rated Current [A]	Resistance [Ohms]	Holding Torque [mNm]	Mass [g]
23KM-K267-00V/99V	56 ~ 42	1.8	0.9	5.8	480	470
23KM-K251-00V/99V	56 ~ 42	1.8	1.8	1.5	480	470
23KM-K244-00V/99V	56 ~ 42	1.8	2.9	0.6	480	470
23KM-K066-00V/99V	56 ~54	1.8	1	7	900	680
23KM-K049-00V/99V	56 ~54	1.8	2	1.7	900	680
23KM-K044-00V/99V	56 ~54	1.8	3	0.85	900	680
23KM-K762-00V/99V	56 ~76	1.8	1	8.6	1,400	1,050
23KM-K748-00V/99V	56 ~76	1.8	2	2.3	1,400	1,050
23KM-K743-00V/99V	56 ~76	1.8	3	1.1	1,400	1,050

Model No : 23KM-K267U,K251U,K244U,K066U,K049U,K044U,  
K762U,K748U,K743U

Driver : Chopper Dual  
Supply Voltage : 24.0 (volt)

