



Chipsmall Limited consists of a professional team with an average of over 10 year of expertise in the distribution of electronic components. Based in Hongkong, we have already established firm and mutual-benefit business relationships with customers from,Europe,America and south Asia,supplying obsolete and hard-to-find components to meet their specific needs.

With the principle of “Quality Parts,Customers Priority,Honest Operation,and Considerate Service”,our business mainly focus on the distribution of electronic components. Line cards we deal with include Microchip,ALPS,ROHM,Xilinx,Pulse,ON,Everlight and Freescale. Main products comprise IC,Modules,Potentiometer,IC Socket,Relay,Connector.Our parts cover such applications as commercial,industrial, and automotives areas.

We are looking forward to setting up business relationship with you and hope to provide you with the best service and solution. Let us make a better world for our industry!



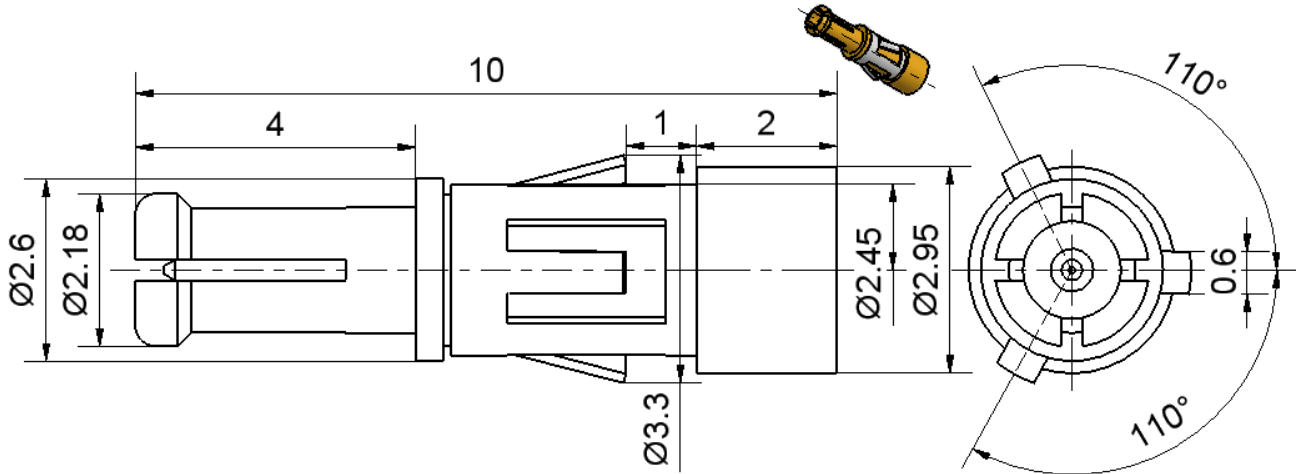
Contact us

Tel: +86-755-8981 8866 Fax: +86-755-8427 6832

Email & Skype: info@chipsmall.com Web: www.chipsmall.com

Address: A1208, Overseas Decoration Building, #122 Zhenhua RD., Futian, Shenzhen, China





*Position of the contact when mounting into the housing
acc. to 23 MV - A001*

All dimensions are in mm; tolerances according to ISO 2768 m-H

Documents

Instruction for Removal of the Contacts 23 MV-A001

Material and plating

Connector parts

Center contact
Outer contact
Dielectric
Substrate

Material

CuBe
CuBe
PTFE
Al₂O₃

Plating

Gold, min. 0.8 µm, over nickel
Gold, min. 0.8 µm, over nickel

Dieses Dokument ist urheberrechtlich geschützt • This document is protected by copyright • Rosenberger Hochfrequenztechnik GmbH & Co. KG

RF_35/05.10/6.0

Technical Data Sheet

Rosenberger

Mini-Coax

Termination
Plug

23S15A-010E4

Electrical data

Impedance	50 Ω
Frequency range	DC to 10 GHz
Return loss	≥ 26 dB, DC to 4 GHz ≥ 18 dB, 4 GHz to 10 GHz
Center contact resistance	≤ 10 m Ω
Outer contact resistance	≤ 3 m Ω
Power handling	0.25 W at 25 °C

Mechanical data

Mating cycles	≥ 500
Engaging and disengaging force	1 N to 4 N

Environmental data

Temperature range	-40°C to +85°C
Climatic class	IEC 60068-2-1 40/85/21 IEC 60068-2-2 IEC 60068-2-3
Mechanical shock	IEC 60068-2-27 50G halvesinus, 2 shocks/axis during 11 sec.
RoHS	compliant

Tooling

Extraction tool for Metral insert	11W108-S00
-----------------------------------	------------

Packing

Standard	50 pcs in bag
Weight	0.21 g/pce

While the information has been carefully compiled to the best of our knowledge, nothing is intended as representation or warranty on our part and no statement herein shall be construed as recommendation to infringe existing patents. In the effort to improve our products, we reserve the right to make changes judged to be necessary.

Draft	Date	Approved	Date	Rev.	Engineering change number	Name	Date
Marcel Panicke	26/11/08	Ronny Mark	13/03/14	c00	14-0363	Marion Striegler	13/03/14
Rosenberger Hochfrequenztechnik GmbH & Co. KG P.O.Box 1260 D-84526 Tittmoning Germany www.rosenberger.de				Tel. : +49 8684 18-0 Fax : +49 8684 18-499 Email : info@rosenberger.de			Page 2 / 2