



Chipsmall Limited consists of a professional team with an average of over 10 year of expertise in the distribution of electronic components. Based in Hongkong, we have already established firm and mutual-benefit business relationships with customers from,Europe,America and south Asia,supplying obsolete and hard-to-find components to meet their specific needs.

With the principle of "Quality Parts,Customers Priority,Honest Operation,and Considerate Service",our business mainly focus on the distribution of electronic components. Line cards we deal with include Microchip,ALPS,ROHM,Xilinx,Pulse,ON,Everlight and Freescale. Main products comprise IC,Modules,Potentiometer,IC Socket,Relay,Connector.Our parts cover such applications as commercial,industrial, and automotives areas.

We are looking forward to setting up business relationship with you and hope to provide you with the best service and solution. Let us make a better world for our industry!



## Contact us

Tel: +86-755-8981 8866 Fax: +86-755-8427 6832

Email & Skype: info@chipsmall.com Web: www.chipsmall.com

Address: A1208, Overseas Decoration Building, #122 Zhenhua RD., Futian, Shenzhen, China

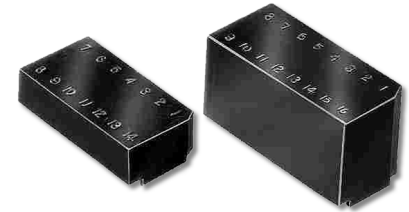




# Series 650 Header Covers

## FEATURES

- Useful for Mounting Components (Resistors, Diodes, etc.)
- Four Ample Cover Heights from 1/8" [3.18] to 3/4" [19.05] high
- Pin Positions Numbered on Cover with Identification Polarization Notch
- Specifically Designed to Snap onto Aries Series 0600 Series Headers



## GENERAL SPECIFICATIONS

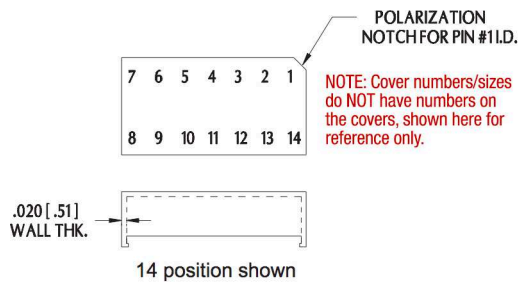
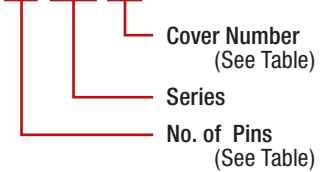
- STANDARD COVER: Black UL 94V-0 4/6 Nylon

## MOUNTING CONSIDERATIONS

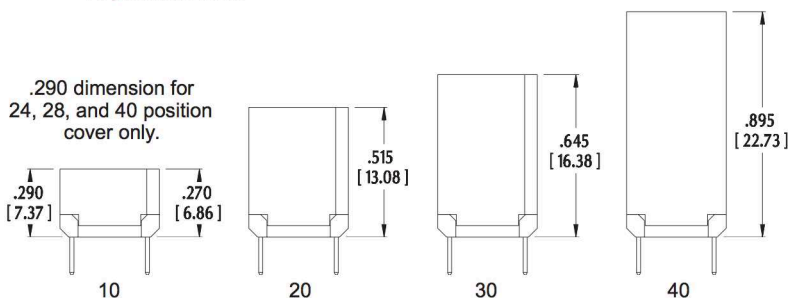
- SUGGESTED PCB HOLE SIZE: 0.035 ±0.002 [0.89 ± 0.05] dia.

## ORDERING INFORMATION

**XX-650-XX**



Cover No.	Max. Component Height	No. of Pins
10	0.125 [3.18]	4-24, 28, 40
20	0.375 [9.53]	14, 16, 24
30	0.500 [12.70]	14, 16
40	0.750 [19.05]	14, 16



ALL DIMENSIONS: INCHES [MILLIMETERS]  
 ALL TOLERANCES: ±0.005 [0.13] UNLESS OTHERWISE SPECIFIED  
 FOR MATING DIP HEADER, SEE [DATA SHEET 12032](#)  
 CONSULT FACTORY FOR OTHER SIZES AND CONFIGURATIONS

CUSTOMIZATION: ARIES SPECIALIZES IN CUSTOM DESIGN AND PRODUCTION. SPECIAL MATERIALS, PLATINGS, SIZES, AND CONFIGURATIONS CAN BE FURNISHED, DEPENDING ON QUANTITY.  
 ARIES RESERVES THE RIGHT TO CHANGE PRODUCT GENERAL SPECIFICATIONS WITHOUT NOTICE  
 PRINTOUTS OF THIS DOCUMENT MAY BE OUT-OF-DATE AND SHOULD BE CONSIDERED UNCONTROLLED



**ARIES**  
ELECTRONICS, INC.

2609 Bartram Road • Bristol, PA 19007-6810 USA  
 TEL 215-781-9956 • FAX 215-781-9845  
[WWW.ARIESELEC.COM](http://WWW.ARIESELEC.COM) • [INFO@ARIESELEC.COM](mailto:INFO@ARIESELEC.COM)



12033  
 Rev. 6.2  
 1 of 1